

Bins, Condensers, and Accessories

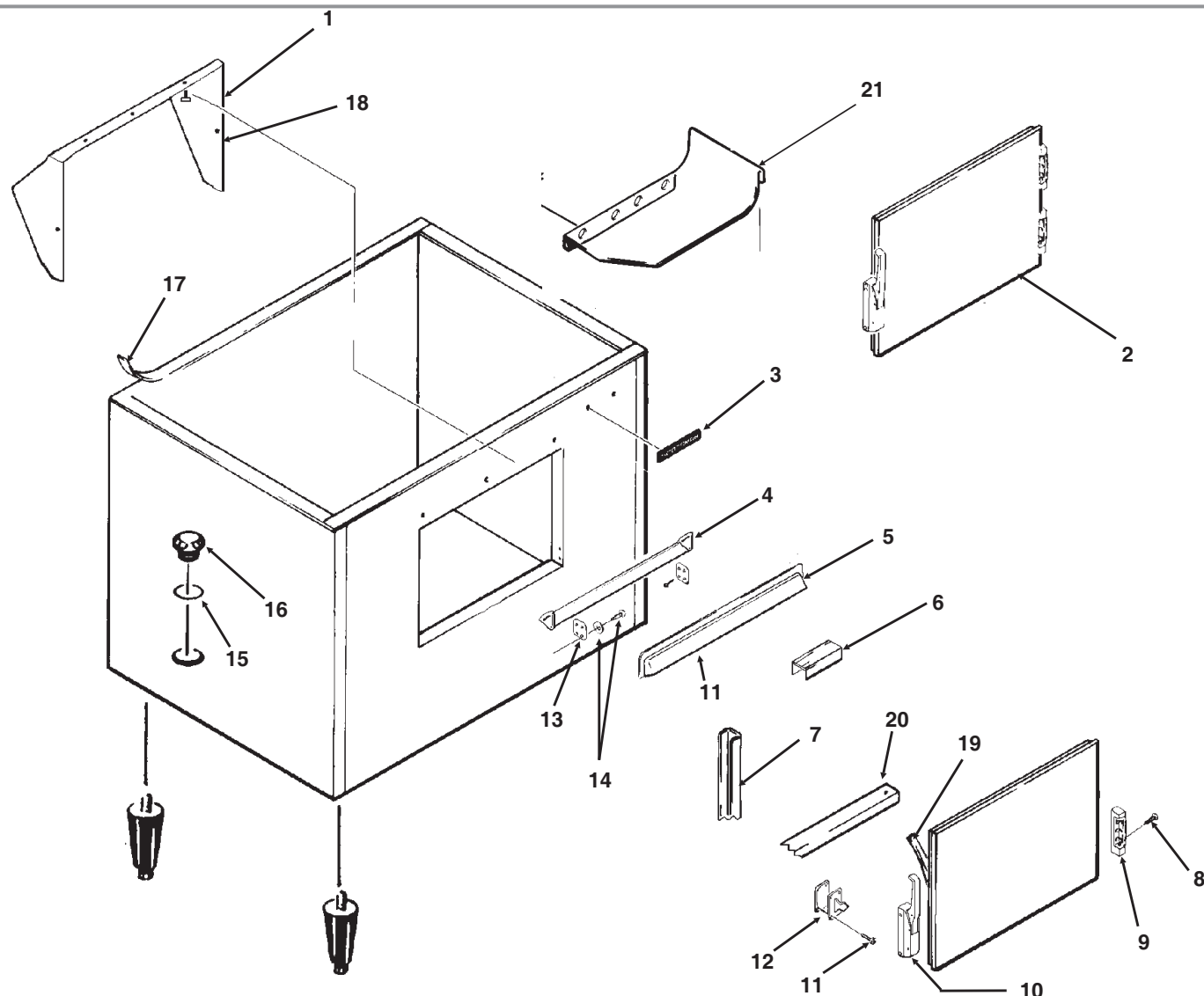
Service Parts

Table of Contents

B90/BX87	page 2
HTB250/350 & BH250/350 & BH450.....	page 3
BH360S.....	page 4
SB480, SBX470, SBX215	page 5
HTB500/BH500A	page 6
B222, B322, B330, B530, B842, B948	page 7
HTB555.....	page 8
BH800/BH550.....	page 9
BH801	page 10
BH900	page 11
BH1000.....	page 12
BH1100, BH1300, BH1600	page 13
BH1351/BH1352/BH1360.....	page 14
BH1370.....	page 15
BH1356, BH1650, BH1366 & BH1666 Ice Storage Bin.....	page 16
SLB150, SLB260/BH260, SLB375/BH375.....	page 17
Ice Cart Systems (ICS1, ICS2, ICS3).....	page 18
ERC Horizontal Coil Condenser	page 19
ERC V Coil Condenser ERC111, 211, 311, 411, ERC680, ERC1086.....	page 20
ERC V Coil Condenser, ERC611, ERC2086, ER2C6810, ER2C1316.....	page 21
Bagger; Fan Relay Box, KDIL Thermostats	page 22
Water Filters	page 23
Accessories	page 24

Bins, Condensers, and Accessories Service Parts

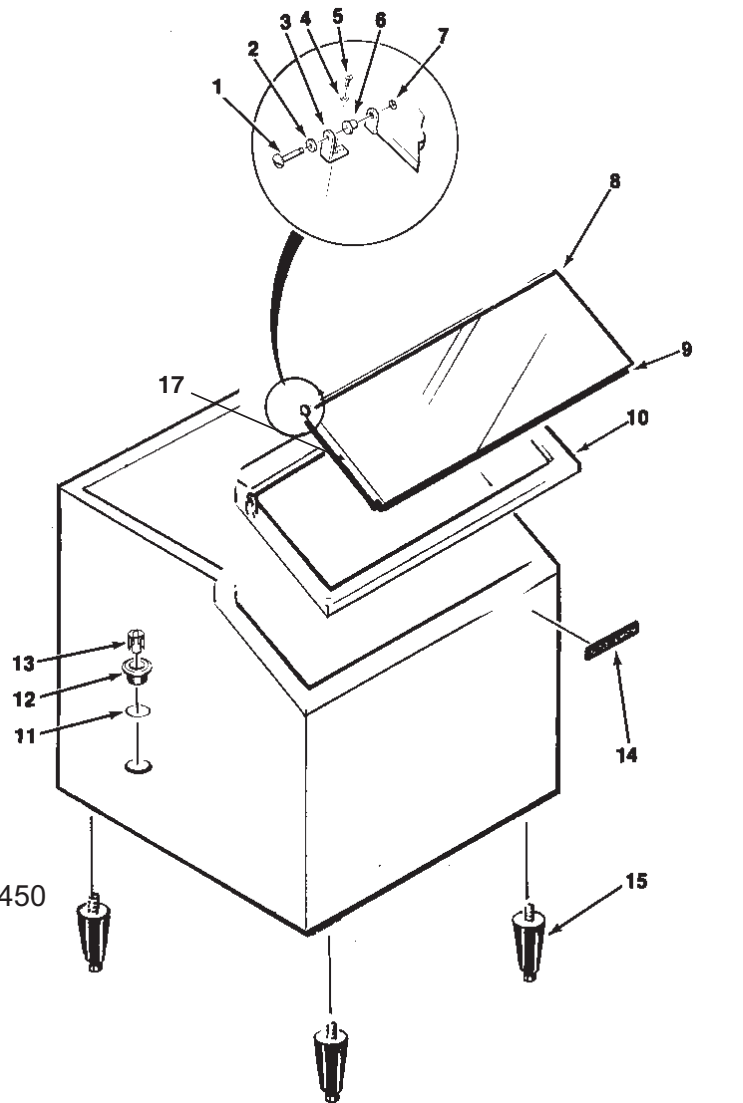
B90/BX87



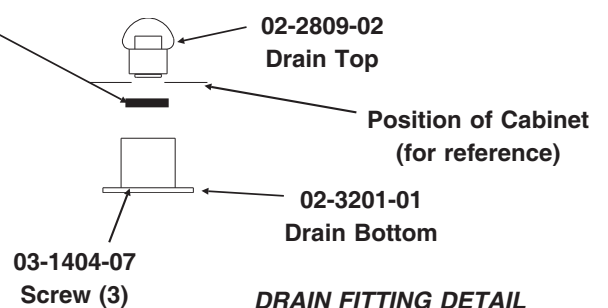
ITEM NUMBER	PART NUMBER	DESCRIPTION			
1	A15114-000	Baffle	9	02-2658-03	Hinge
2	A18300-013	Complete Door-brown		02-2658-04	Hinge Cover
	A18300-032	Complete door, gray	10	02-2658-01	Latch
	A18300-010	Complete Door, sandalwood.		02-1285-00	Screw, into door
	A18300-002	Complete door, SS	11	03-1419-28	Screw, into cabinet
	02-1000-00	Plastic door liner	12	02-2658-02	Strike
3	15-0711-01	Emblem for sandalwood	13	A25929-001	Spill door hinge
	15-0808-01	Emblem for gray	14	A17302-000	Button storage
4	A17342-000	Spill Door		03-1403-15	Screw
5	no number	Awning	15	13-0617-11	O-ring
6	no number	Door Trim Cap	16	02-2809-01	Drain top
7	A25931-001	Door Trim side	17	19-0503-04	Foam tape
8	03-1285-00	Screw, into door	18	03-0727-01	Thumb screw
	03-1419-28	Screw, into cabinet	19	13-0264-00	Door gasket
			20	A25932-001	Door trim
			21	A26449-001	Cube chute

Bins, Condensers, and Accessories Service Parts

HTB250/350 & BH250/350 & BH450



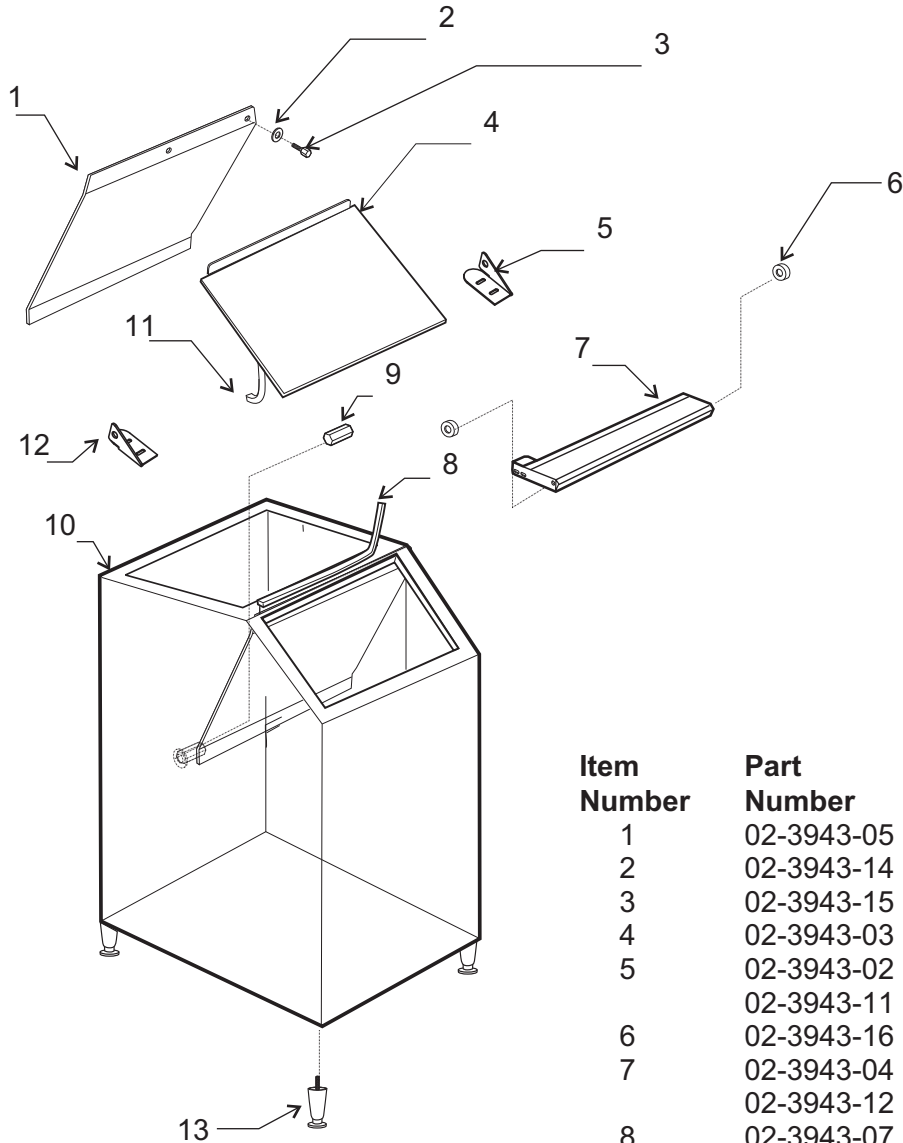
Item Number	Part Number	Description
1	02-2806-01	Shoulder screw
2	02-2380-02	Spacer
3	A25259-001	BH450 Hinge member
	A31248-001	Hinge member, all but BH450
4	03-1417-14	Washer
5	03-1404-26	Screw
6	02-2380-01	Hinge bushing
7	03-1539-09	E ring
8	A32648-001	Door - brown
	A32648-002	Door - gray
9	13-0595-00	Door gasket (49" req.)
10	02-2857-01	HTB250/350 Door frame, brown
	02-2857-32	HTB250/350 door frame, gray
	A30820-001	BH450 Door frame & canopy
	02-2857-32	BH250AE/BH350AE Door frame
11	13-0617-11	O-ring
12	02-2809-01	Drain top, all but BH450
	A18090-000	BH450 drain top
13	A06448-000	BH450 strainer
14	15-0711-01	Emblem - for sandalwood
	15-0711-02	Emblem for gray
15	KLP2E	Legs, black
	KLP2S	Legs, nickel plated
16	A32580-001	Baffle HTB only
	03-0727-06	Thumb screw for baffle
	03-1423-07	Speed nut for baffle
17	A32317-001	Canopy, all but BH450
18	02-3201-01	Drain bottom, HTB250/350 after Nov. 91 (05K)



DRAIN FITTING DETAIL
after serial numbers
HTB250 489378-05K
HTB350 488666-05K

Bins, Condensers, and Accessories Service Parts

BH360S

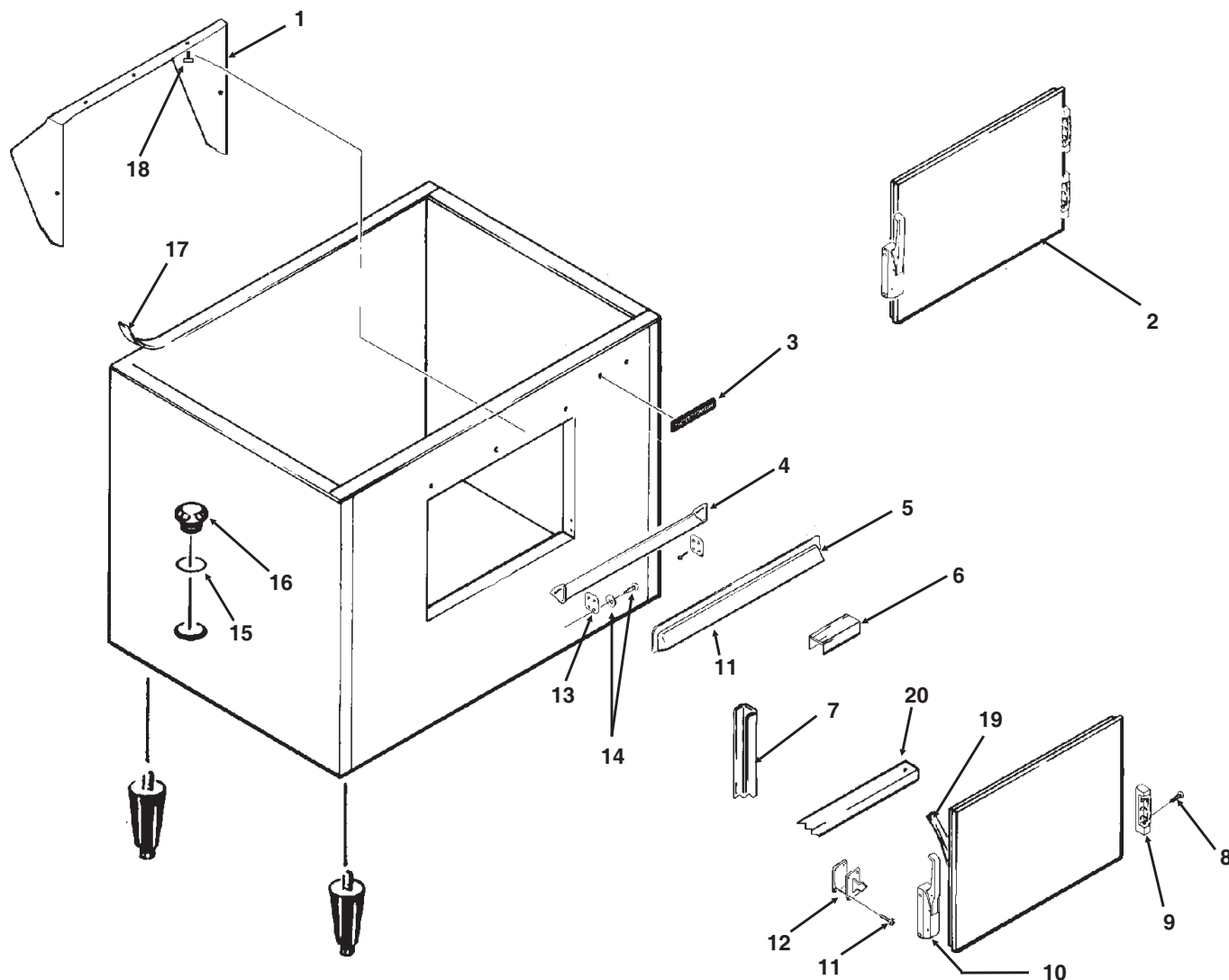


Item Number	Part Number	Description
1	02-3943-05	Ice deflector
2	02-3943-14	Rubber washer
3	02-3943-15	Thumbscrew
4	02-3943-03	Door w/gasket, w/out hinges
5	02-3943-02	Right hinge
	02-3943-11	Screw, hinge to door
6	02-3943-16	Nylon bearing
7	02-3943-04	Canopy
	02-3943-12	Screw, canopy to bin
8	02-3943-07	Gasket (per foot)
9	02-3943-13	Hex stand off
10	02-3943-08	Bin gasket tape (per foot)
11	02-3943-06	Door gasket
12	02-3943-01	Left hinge
	02-3943-11	Screw, hinge to door
13	02-3943-10	Set of 4 legs
14	02-3943-09	Connecting strap, IM to bin

Note: Leg Threads are ½ - 13. The legs for this bin will not interchange with any other Scotsman leg or caster.

Bins, Condensers, and Accessories Service Parts

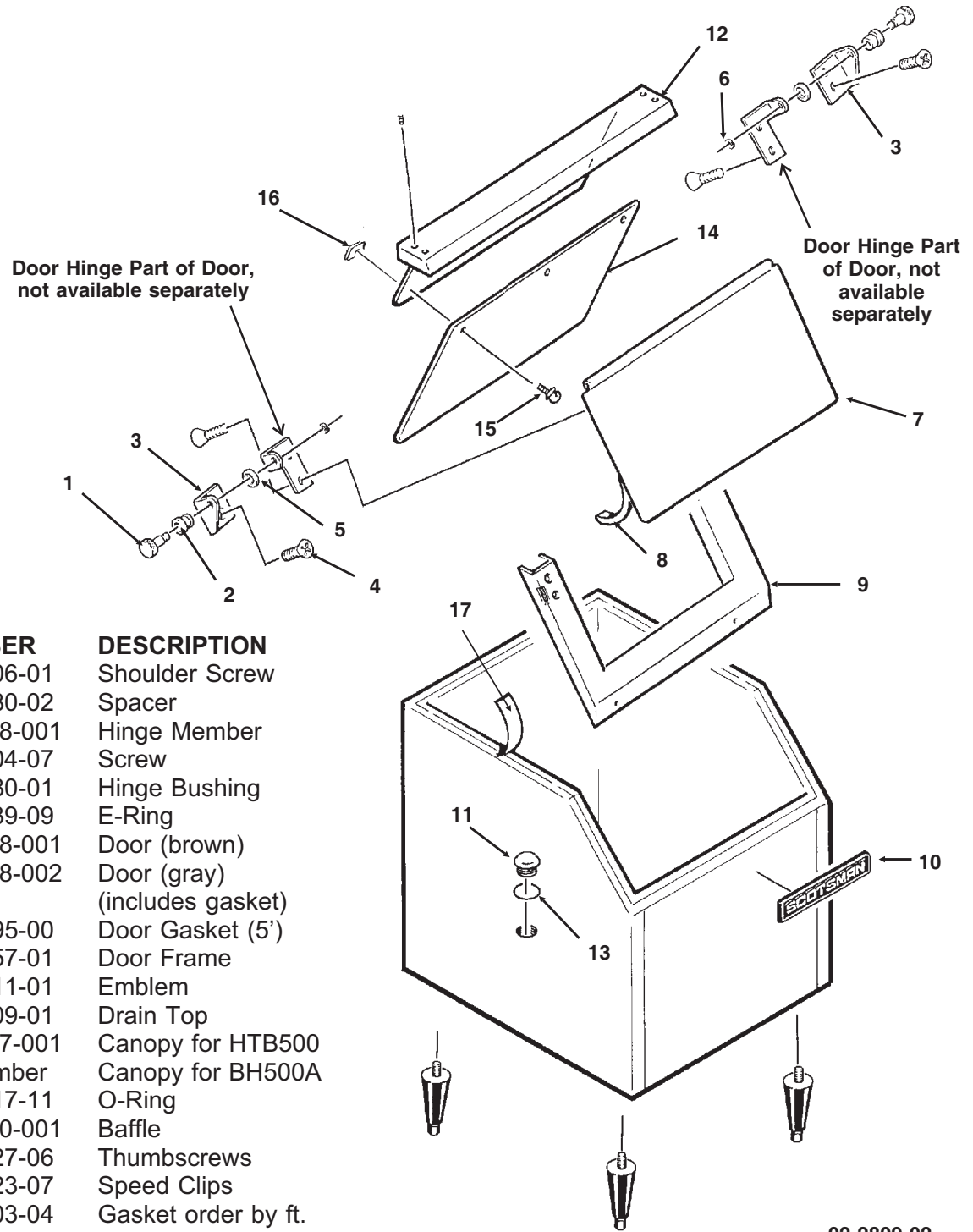
SB480, SBX470, SBX215



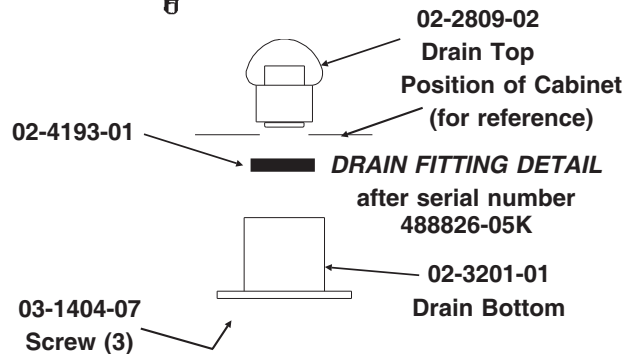
ITEM NUMBER	PART NUMBER	DESCRIPTION	ITEM NUMBER	PART NUMBER	DESCRIPTION
1	02-3991-01	Baffle	10	02-2658-01	Latch
2	02-3991-02	Complete door, SS		02-3991-12	Screw, into door
	02-3991-03	Plastic door liner	11	02-3991-13	Screw, into cabinet
3	15-0711-02	Emblem for gray	12	02-2658-02	Strike
4	02-3991-04	Spill Door	13	02-3991-15	Spill door hinge
5	02-3991-05	Awning	14	02-3991-16	Screw
6	02-3991-06	Door Trim Cap	15	13-0617-11	O-ring
7	02-3991-07	Door Trim side	16	02-2809-01	Drain top
	02-3991-17	Support, attaches to item 7	17	19-0503-04	Foam tape
8	02-3991-08	Screw, into door or cabinet	18	03-0727-01	Thumb screw
			19	02-3991-18	Door gasket
9	02-2658-03	Hinge	20	02-3991-19	Door trim
	02-2658-04	Hinge Cover			

Bins, Condensers, and Accessories Service Parts

HTB500/BH500A



ITEM NUMBER	PART NUMBER	DESCRIPTION
1	02-2806-01	Shoulder Screw
2	02-2380-02	Spacer
3	A31248-001	Hinge Member
4	03-1404-07	Screw
5	02-2380-01	Hinge Bushing
6	03-1539-09	E-Ring
7	A32648-001	Door (brown)
	A32648-002	Door (gray) (includes gasket)
8	13-0595-00	Door Gasket (5')
9	02-2857-01	Door Frame
10	15-0711-01	Emblem
11	02-2809-01	Drain Top
12	A32317-001	Canopy for HTB500
	no number	Canopy for BH500A
13	13-0617-11	O-Ring
14	A32580-001	Baffle
15	03-0727-06	Thumbscrews
16	03-1423-07	Speed Clips
17	19-0503-04	Gasket order by ft.

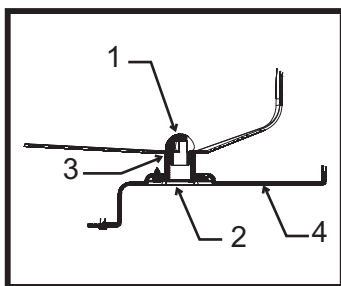


Bins, Condensers, and Accessories

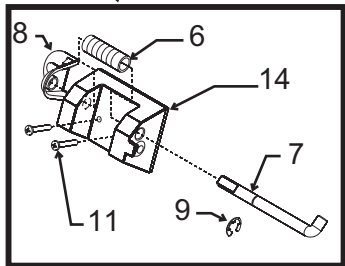
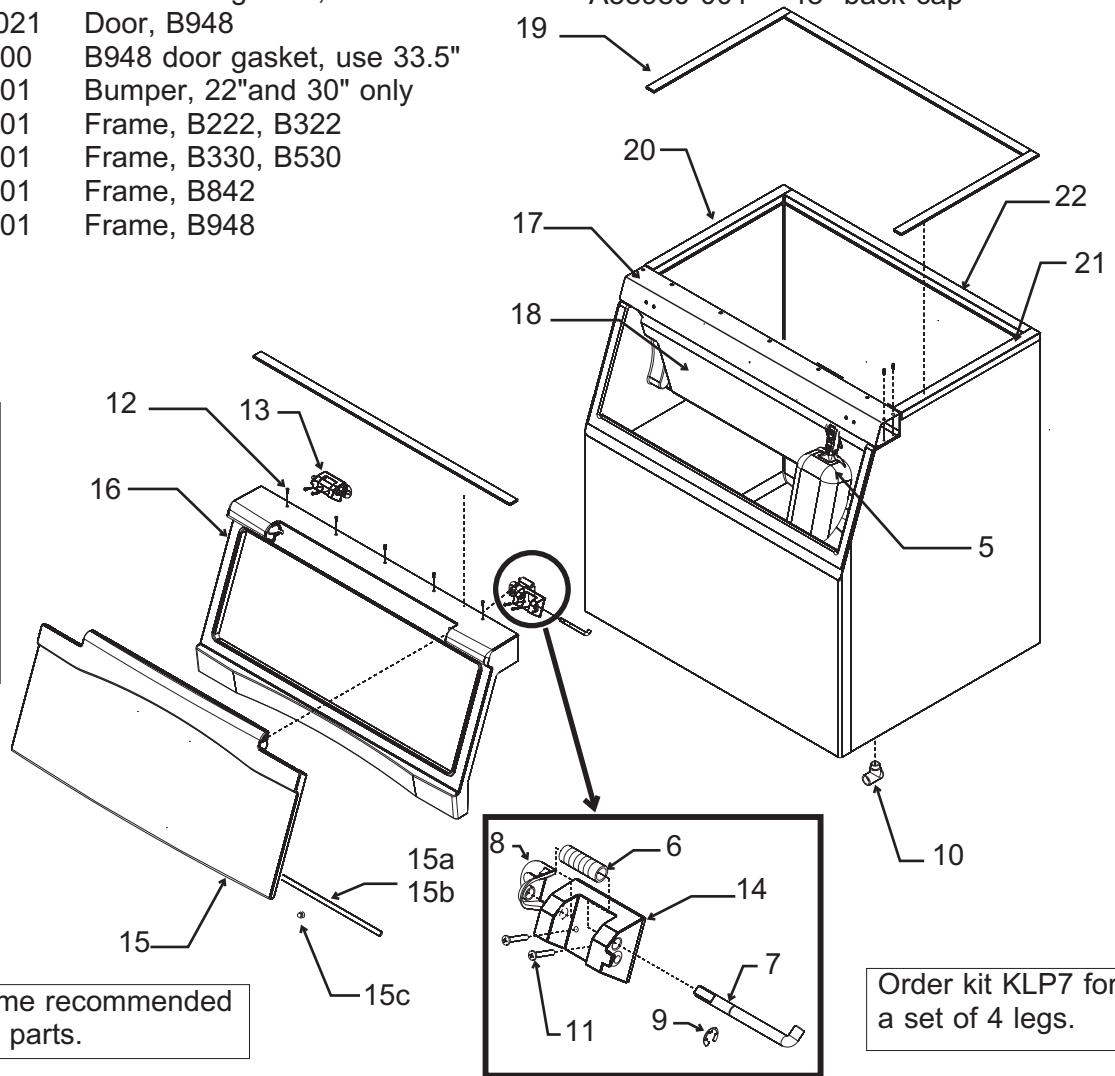
Service Parts

B222, B322, B330, B530, B842, B948

Item Number	Part Number	Description		Part Number	Description
1	02-2809-01	Drain top	17	A38920-001	Canopy, B222, B322
2	02-3108-01	Drain fitting		A38921-001	Canopy, B330, B530
3	02-4193-01	Drain gasket		A38922-001	Canopy, B842
4	02-4234-01	Drain panel, SS only		A38923-001	Canopy, B948
5	02-0540-01	Scoop	18	A38910-001	Baffle, B222, B322
6	03-3876-01	Spring*		A38911-001	Baffle, B330, B530
7	03-3874-01	Hinge pin*		A38912-001	Baffle, B842
8	13-0946-01	Hinge gasket		A38913-001	Baffle, B948
9	03-1539-12	E clip*	19	13-0943-02	Gasket, 22" use 86"
10	05-0586-01	Elbow for drain			Gasket, 30" use 102"
11	03-1403-71	Screw, hinge to canopy			Gasket, 42" use 126"
12	03-1418-30	Screw, frame to canopy	20	A38907-001	Left cap - SS bin
13	02-4232-01	Left hinge mount*		A39241-001	Left cap - plastic bin
14	02-4233-01	Right hinge mount*	21	A38908-001	Right cap - SS bin
15	A38914-021	Door, B222, B322		A39240-001	Right cap - plastic bin
	A38915-021	Door, B330, B530	22	A38977-001	22" back cap
	A38916-021	Door, B842		A38978-001	30" back cap
15a	13-0595-00	B842 door gasket, use 27.5"		A38979-001	42" back cap
	A38917-021	Door, B948		A38980-001	48" back cap
15b	13-0595-00	B948 door gasket, use 33.5"			
15c	02-4235-01	Bumper, 22"and 30" only			
16	02-4236-01	Frame, B222, B322			
	02-4237-01	Frame, B330, B530			
	02-4238-01	Frame, B842			
	02-4239-01	Frame, B948			



Drain Detail



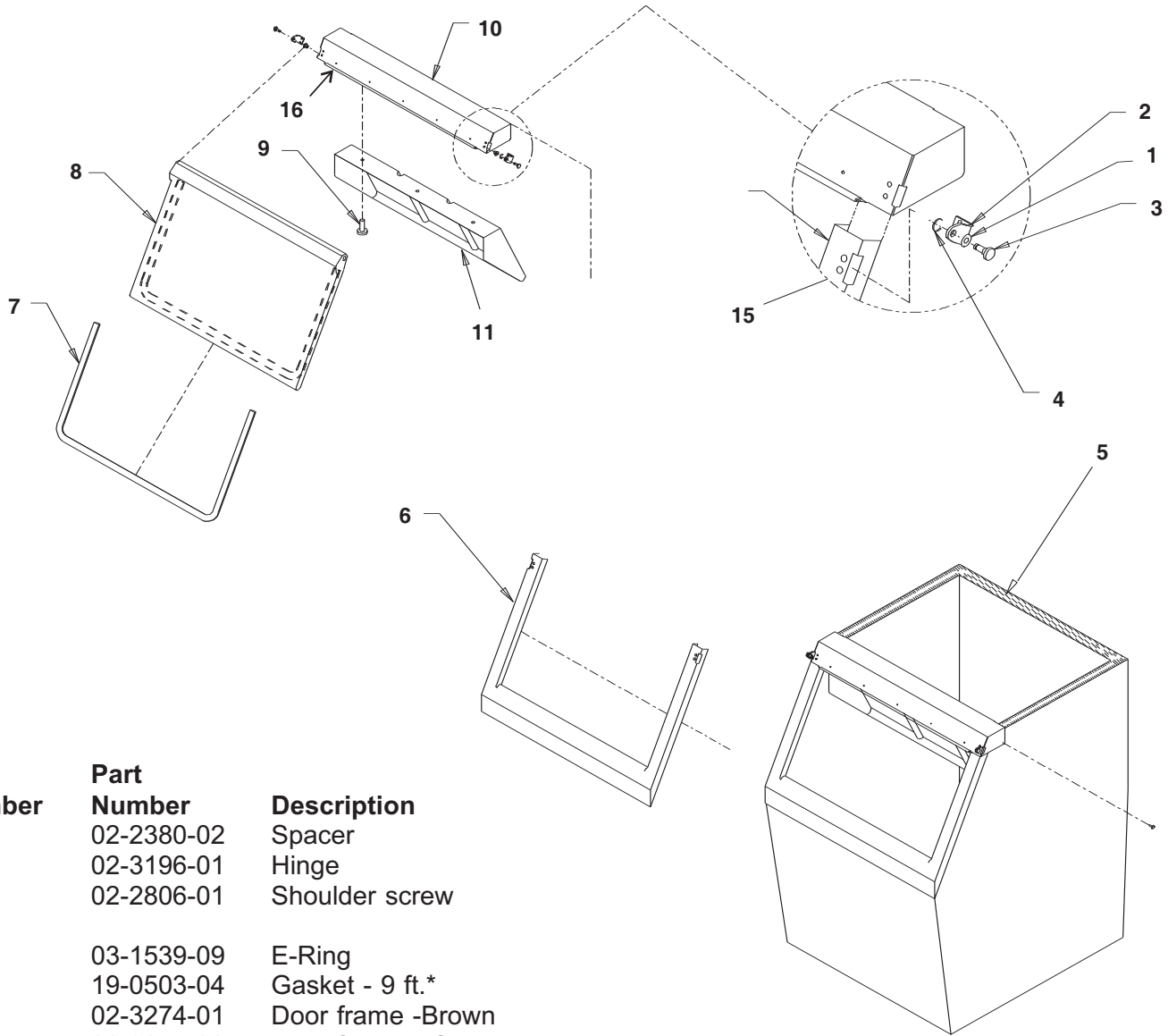
Hinge Detail

* Replacement of frame recommended when servicing hinge parts.

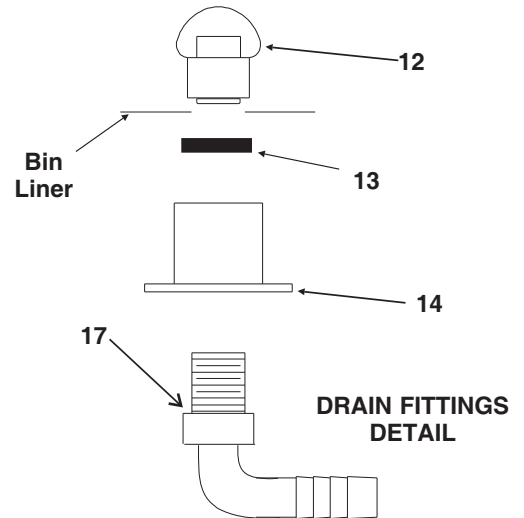
Order kit KLP7 for a set of 4 legs.

Bins, Condensers, and Accessories Service Parts

HTB555

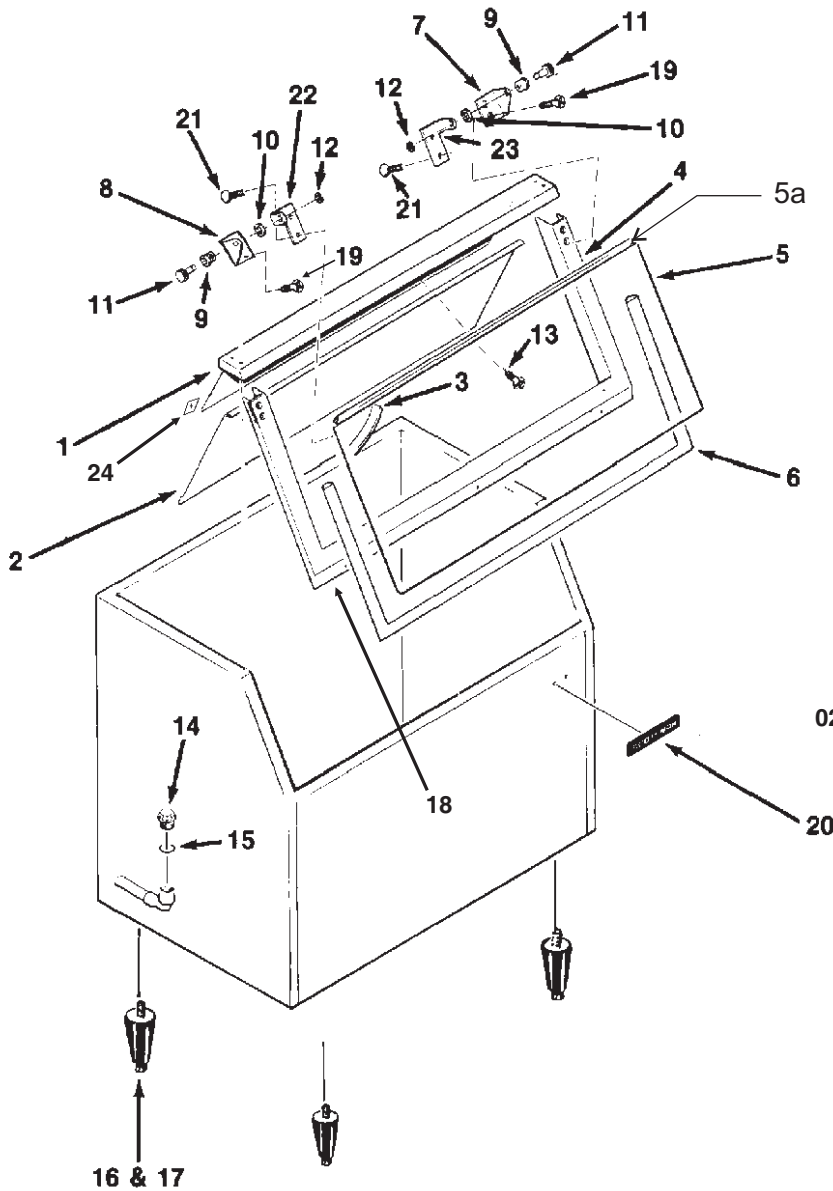


Item Number	Part Number	Description
1	02-2380-02	Spacer
2	02-3196-01	Hinge
3	02-2806-01	Shoulder screw
4	03-1539-09	E-Ring
5	19-0503-04	Gasket - 9 ft.*
6	02-3274-01	Door frame -Brown
	02-3274-02	Door frame - Grey
7	13-0909-01	Door gasket - 58"
8	A36481-021	Door - Brown incl #7
	A36481-022	Door - Grey incl #7
9	03-0727-11	Thumb screw
10	A35637-001	Canopy
11	A37310-001	Baffle
12	02-2809-02	Drain top
13	02-4193-01	Flat washer
14	02-3108-01	Drain bottom
15	03-1418-07	Screw for hinge
16	02-3202-02	Trim guard
17	05-0586-01	Drain elbow
Not shown	02-0540-01	Scoop



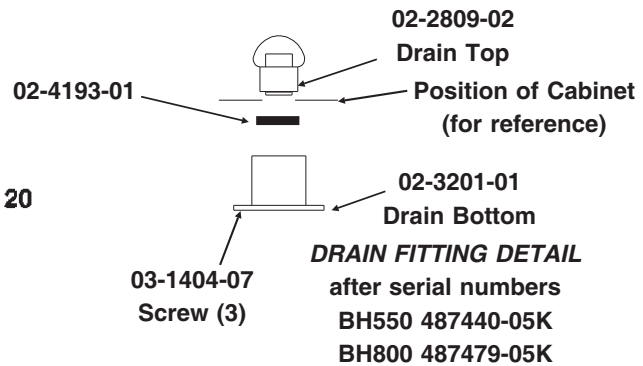
Bins, Condensers, and Accessories Service Parts

BH800/BH550



Note: C series has rounded corners

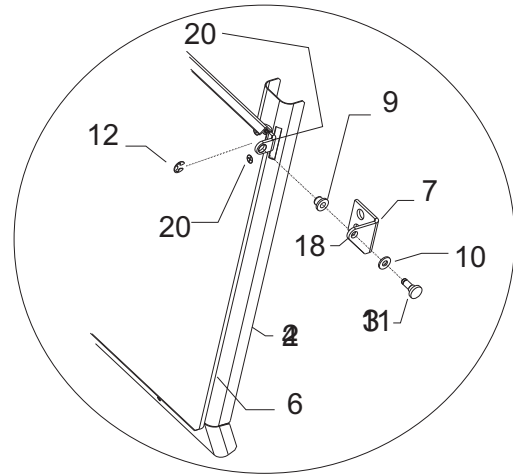
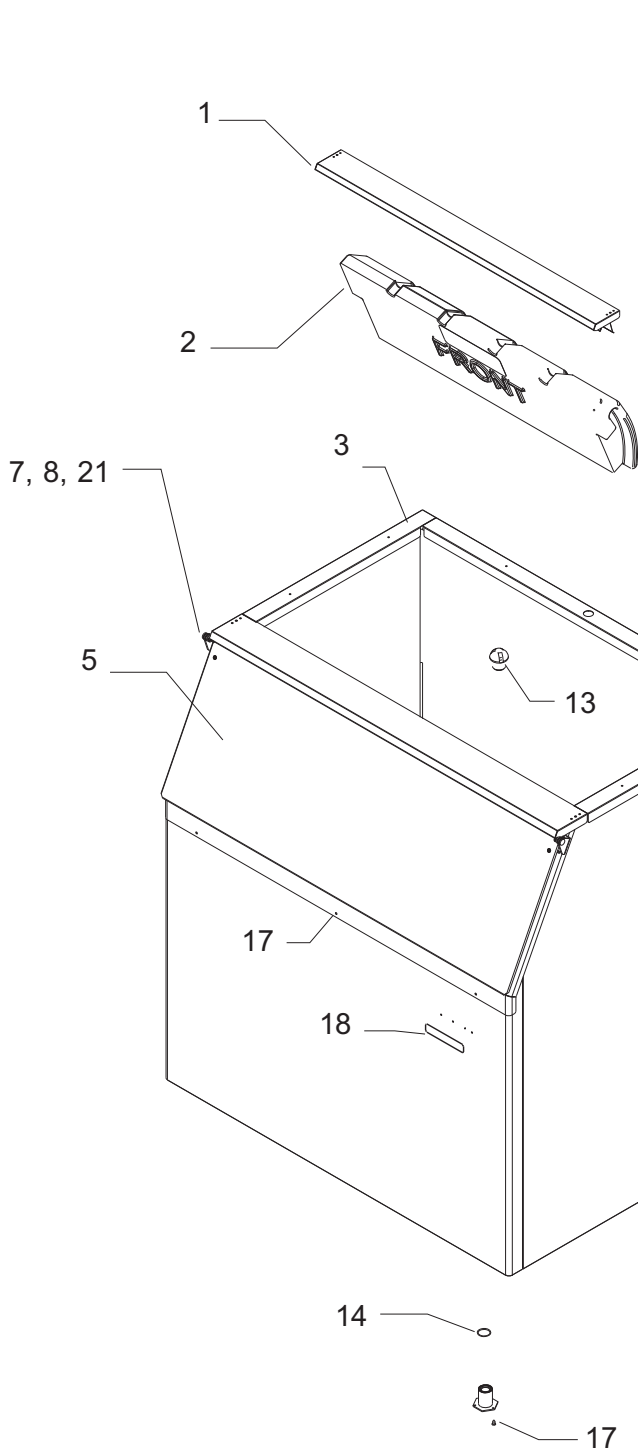
Left Bin Channel: A35506-001
 Right Bin Channel: A35507-001
 Rear Bin Channel: A35508-001



ITEM NUMBER	BH800 PART NUMBER	BH550 PART NUMBER	DESCRIPTION	ITEM NUMBER	BH800 PART NUMBER	BH550 PART NUMBER	DESCRIPTION
1	A32408-001	A33921-001	Canopy	12	03-1539-09	same	E-Clip
2	A32410-001	A32580-001	Baffle	13	03-0727-00	same	Thumb Screw
3	19-0503-04	same	Gasket	14	02-2809-01	same	Drain Top
4	A32418-020	A33922-020	Door Frame	15	13-0617-11	same	O-Ring
	A37640-021	A37639-021	Door Frame, C series	16	KLPE	same	Legs, painted
5	A32419-020	A33938-020	Door, incl 5a, 6, 22, 23	17	KLPS	same	Legs, S.S.
5a	02-2881-02	02-2331-03	Drip molding	18	03-1404-07	same	Screw
6	13-0595-00	same	Door Gasket	19	03-1360-02	same	Screw
	(10')	(6')	order per foot	20	15-0711-01	same	Emblem
7	A32396-002	same	Hinge Rt.	21	03-1418-41	same	Screw
8	A32396-001	same	Hinge Left	22	A32546-001	same	Door Hinge Lft
9	02-2380-01	same	Hinge Bushing	23	A32546-002	same	Door Hinge Rt.
10	02-2380-02	same	Hinge Spacer	24	03-1423-07	same	Speed Nut for Baffle
11	02-2806-01	same	Shoulder Screw				

Bins, Condensers, and Accessories Service Parts

BH801

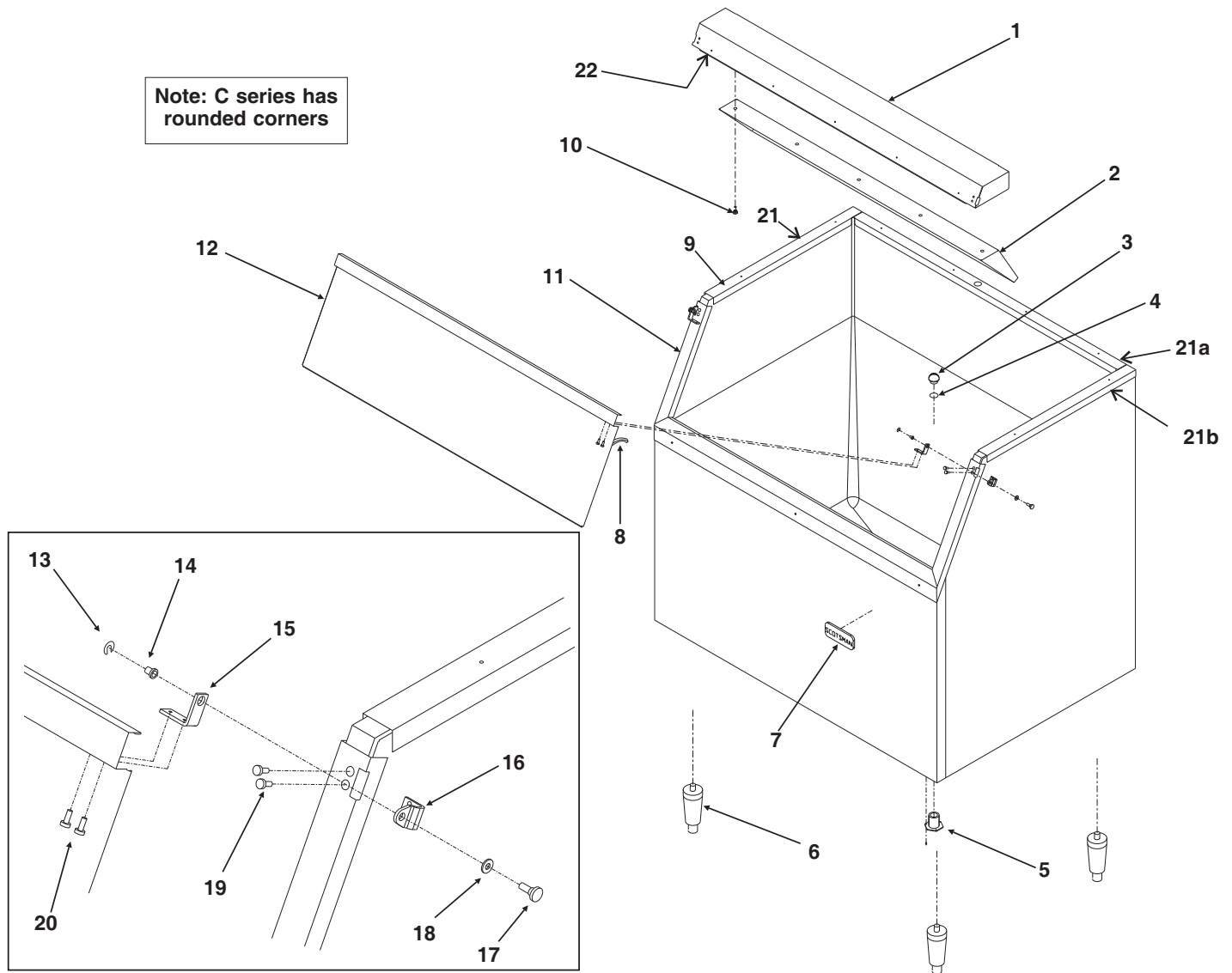


ITEM NUMBER	PART NUMBER	DESCRIPTION
1	A38434-001	Canopy
2	A38476-001	Baffle
3	19-0503-04	Gasket order per foot
4	A37640-021	Door Frame,
5	A32419-020	Door, incl 5a, 6, 21, 22
5a	02-2881-02	Drip molding
6	13-0595-00	Door Gasket (10')*
7	A32396-002	Hinge Rt.
8	A32396-001	Hinge Left
9	02-2380-01	Hinge Bushing
10	02-2380-02	Hinge Spacer
11	02-2806-01	Shoulder Screw
12	03-1539-09	E-Clip
13	02-2809-02	Drain Top
14	02-4193-01	Flat washer
15	02-3201-01	Drain bottom
16	KLPE	Legs, painted set of 4
	KLPS	Legs, S.S. set of 4
17	03-1404-07	Screw - frame to bin
18	03-1419-09	Screw - hinge to frame
19	15-0808-01	Emblem
20	03-1418-24	Screw - hinge to door
21	A32546-001	Door Hinge Lft
22	A32546-002	Door Hinge Rt.

Bins, Condensers, and Accessories Service Parts

BH900

Note: C series has rounded corners



ITEM NUMBER	PARTS NUMBER	DESCRIPTION
1	A35322-020	Canopy Assembly
2	A35152-001	Ice Baffle
3	02-2809-01	Drain Top
4	02-4193-01	Flat washer
5	02-3201-01	Drain casting
6	KLP2E	Leg Kit, Black
	KLP2S	Leg Kit, Nickel Plated
7	15-0711-01	Emblem
8	13-0595-00	Door gasket (6.25' reg.)
9	19-0503-04	Bin gasket / ft
10	03-0727-11	Baffle screw
11	A35275-001	Door frame assy.
	A37641-021	Door frame, BH900S-C
12	A35323-020	Door w/gasket - BH900
13	03-1539-09	"E" ring
14	02-2380-01	Hinge bushing

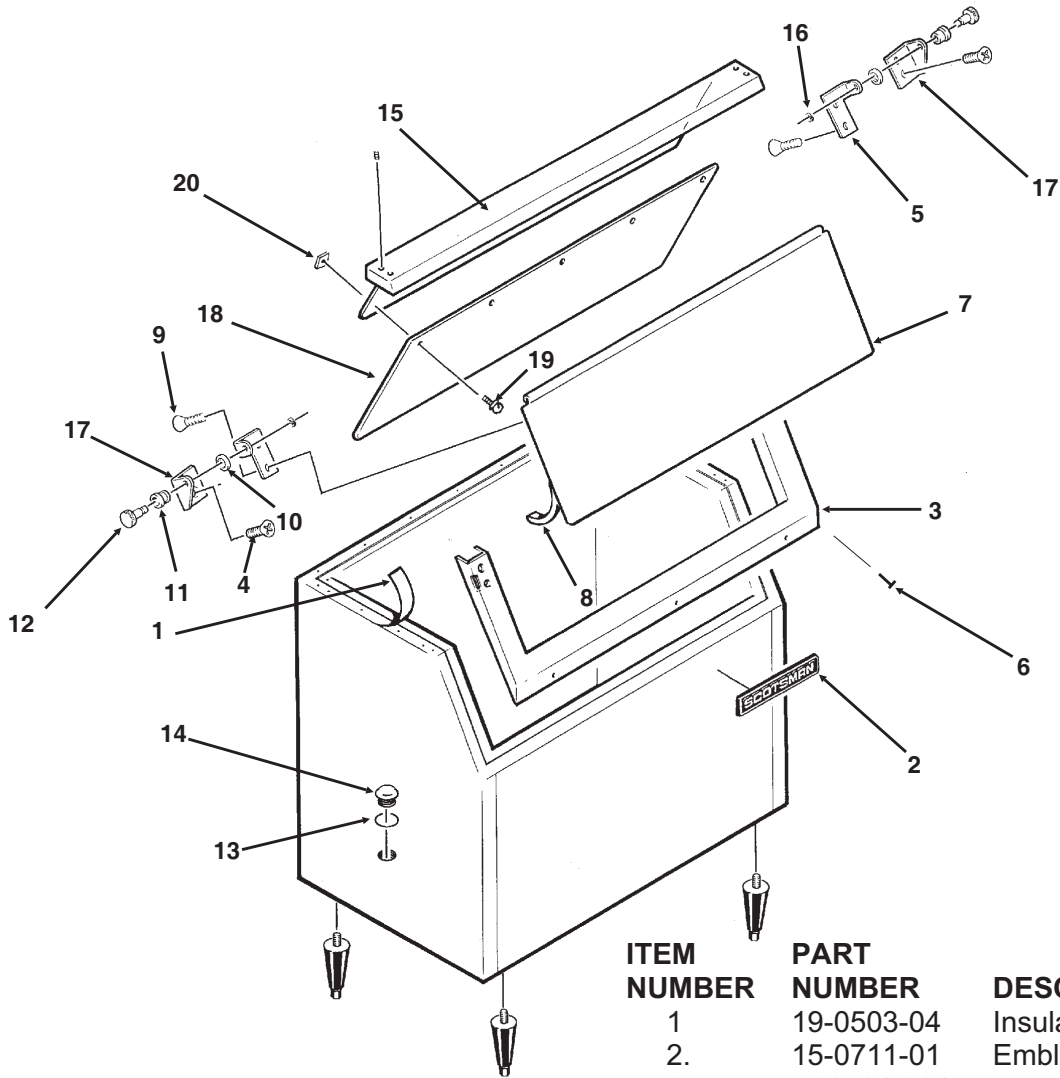
ITEM NUMBER	PARTS NUMBER	DESCRIPTION
15	02-3195-01	Door hinge
16	02-3196-01	Bin hinge
17	02-2806-01	Shoulder screw
18	02-2380-02	Spacer
19	03-1403-29	Screw 10-24
20	03-1403-24	Screw 10-24
21	A35280-001	Left bin channel
21a	A35311-001	Back bin channel
21b	A35279-001	Right bin channel
22	02-3202-01	Trim guard

Note: There were a few BH900**CE/CS** bins made in the early 1990s that used a **different** door, hinge & pin: Most BH900s did NOT use these parts.

12	02-3222-01	Door, BH900 CE or CS
	02-3225-01	Hinge kit, BH900 CE
	02-3226-01	Pivot pin set, BH900 CE

Bins, Condensers, and Accessories Service Parts

BH1000



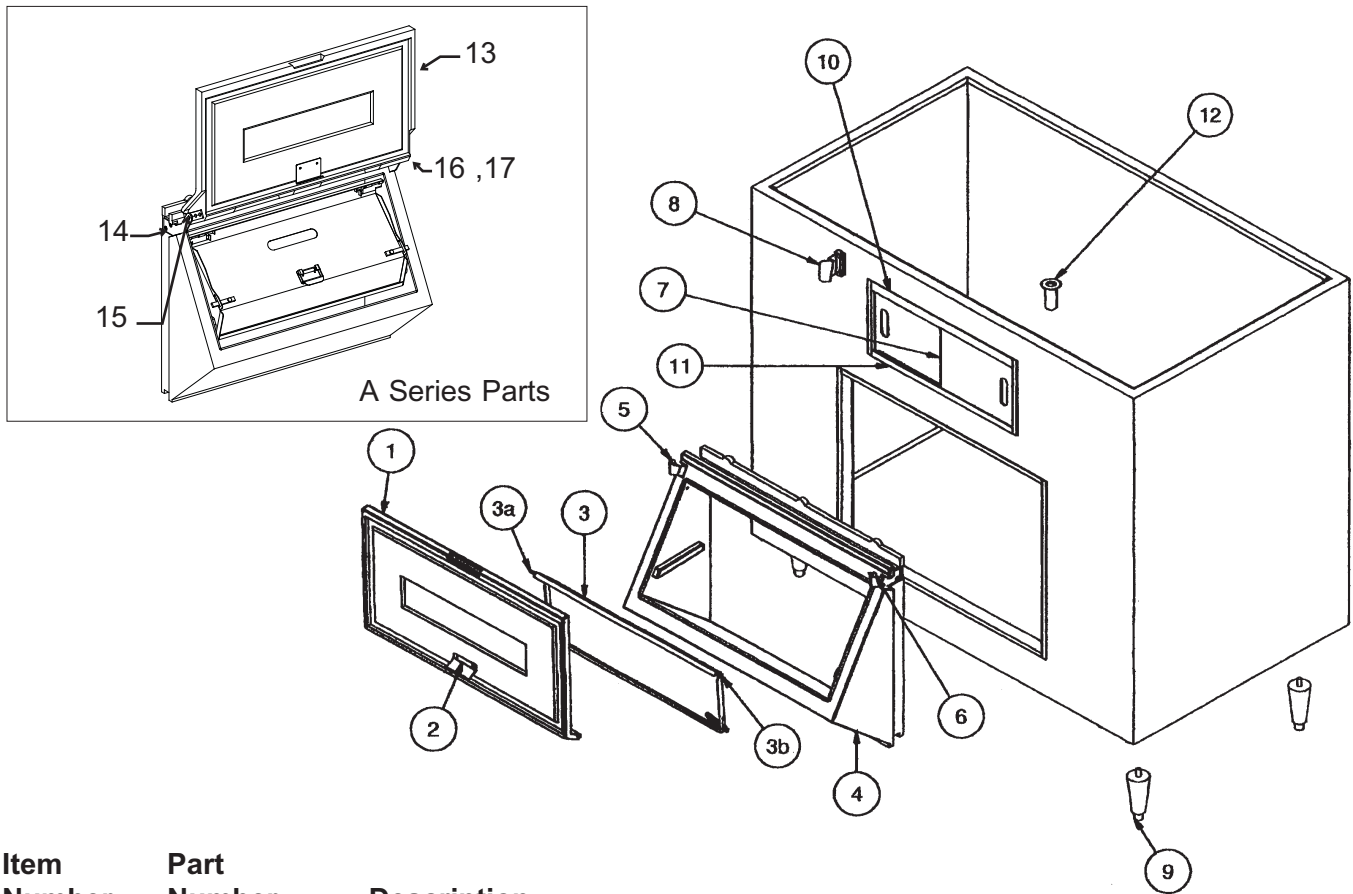
Note: There are **three** distinct BH1000 bins:

- BH1000 with a stainless steel liner uses bin door size 49.5" x 15" part number A32572-020.
- BH1000A - (plastic liner) is as illustrated, using the parts list to the right. Door size = 52 x 15
- BH1000C - door is 51 x 15
 - 02-3223-01 Door
 - 13-0595-00 Gasket / ft
 - 02-3225-01 Hinge kit
 - 02-3226-01 Pivot pin set

ITEM NUMBER	PART NUMBER	DESCRIPTION
1	19-0503-04	Insulating Tape
2.	15-0711-01	Emblem
3.	A32521-001	Door Frame
4.	03-1360-02	Screw
5.	A32546-002	Right Door Hinge
6.	03-1404-07	Screw
7.	A32518-020	Door
8.	13-0595-00	Door gasket, req.7'
9.	A32546-001	Left Door Hinge
10.	02-2380-01	Hinge Bushing
11.	02-2380-02	Bushing
12.	02-2806-01	Screw
13.	13-0617-11	O-Ring
14.	02-2809-01	Drain top
15.	A32395-001	Canopy Assembly
16.	03-1539-09	E-Ring
17.	A32396-001	Hinge Member Left
	A32396-002	Hinge Member Right
18	A32399-001	Baffle
19	03-0727-06	Screw
20	03-1423-07	Speed Clip

Bins, Condensers, and Accessories Service Parts

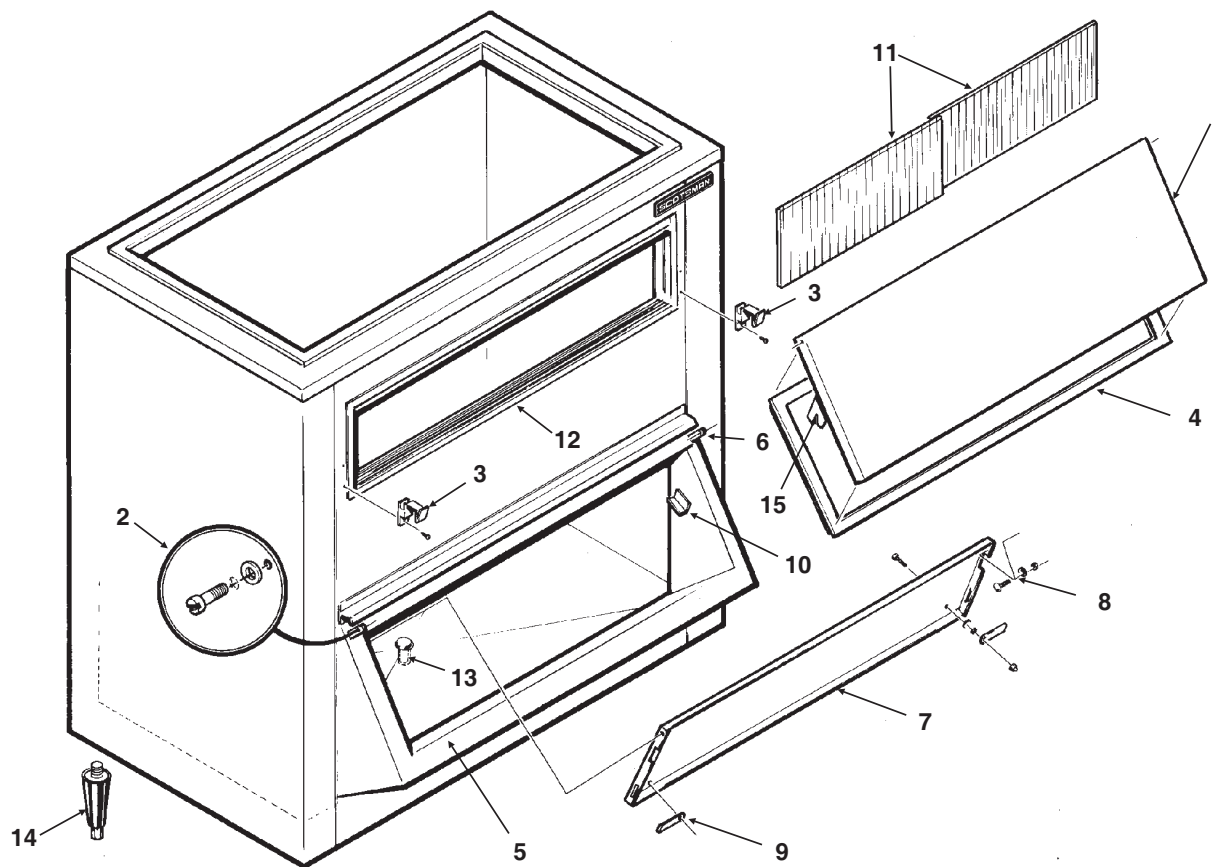
BH1100, BH1300, BH1600



Item Number	Part Number	Description		
1	02-4008-02	Door		
2	02-4008-03	Baffle latch bracket	Not Shown	
3	02-4008-04	Baffle assembly		02-4008-16 SS Top Support Frame
3a	02-4008-23	LH & RH spring loaded hinge kit		02-4008-17 48" Plastic Top*
4	02-4008-07	Snout		02-4008-18 60" Plastic Top*
5	02-4008-24	LH & RH door hinges		02-4008-19 9" Filler Panel
6	part of item 5	RH door hinge		02-4008-20 13 1/2" Filler Panel
7	02-4008-10	Window (set of 2)	Note: Above filler panels are 21.5" long and changed in late 2005 to these:	
8	02-4008-11	Door latch	02-4008-21 - 20.5" long 9 inch filler panel	
9	02-4008-12	Leg - each	02-4008-22 - 20.5" long 13.5 inch filler panel	
	KLP2E	Leg, kit of 4, after Dec. 05 production	Check serial number date code or opening size to confirm which filler panel to use.	
10	02-4008-25	Upper & lower window tracks	* hole 45" wide x 20.5 deep	
11	part of item 10	Lower window track	Hole in plastic top changed in late 2005, prior top no longer available.	
12	02-4008-15	1" plastic drain- includes nut and washer		
A Series Parts Not Interchangeable with prior				
13	02-4008-27	Snout door		
14	02-4008-28	LH hinge bracket		
15	02-4008-26	LH spring loaded hinge		
16	02-4008-29	RH hinge bracket		
17	02-4008-32	RH spring loaded hinge		

Bins, Condensers, and Accessories Service Parts

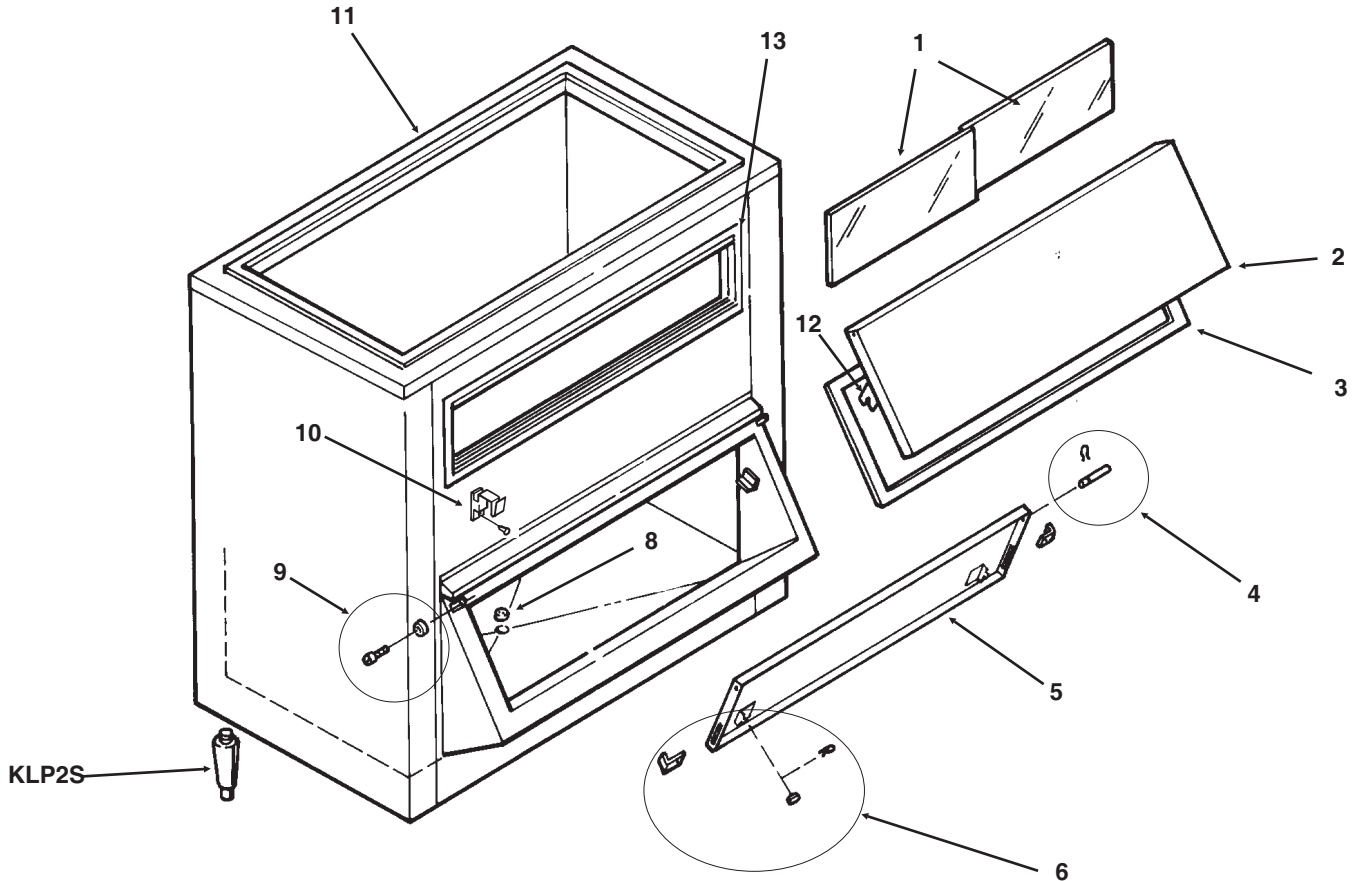
BH1351/BH1352/BH1360



Item Number	Part Number	Description
1	A34447-001	Lift door
2	A34448-001	Pivot pin kit
3	A34449-001	Lift door catch
4	A34450-001	Gasket
5	A34451-001	Frame assembly
6	A34452-001	Hinge
7	A34453-001	Ice check door
8	A34454-001	Pivot pin kit for ice check door
9	0501304	Lock bar for ice check door
10	A34456-001	Bumper bracket
11	02-3769-16	Inspection door
12	A34458-001	Track assembly
13	A34459-001	Drain fitting
14	A34460-001	Legs, set of 4
15	0501304	Catch

Bins, Condensers, and Accessories Service Parts

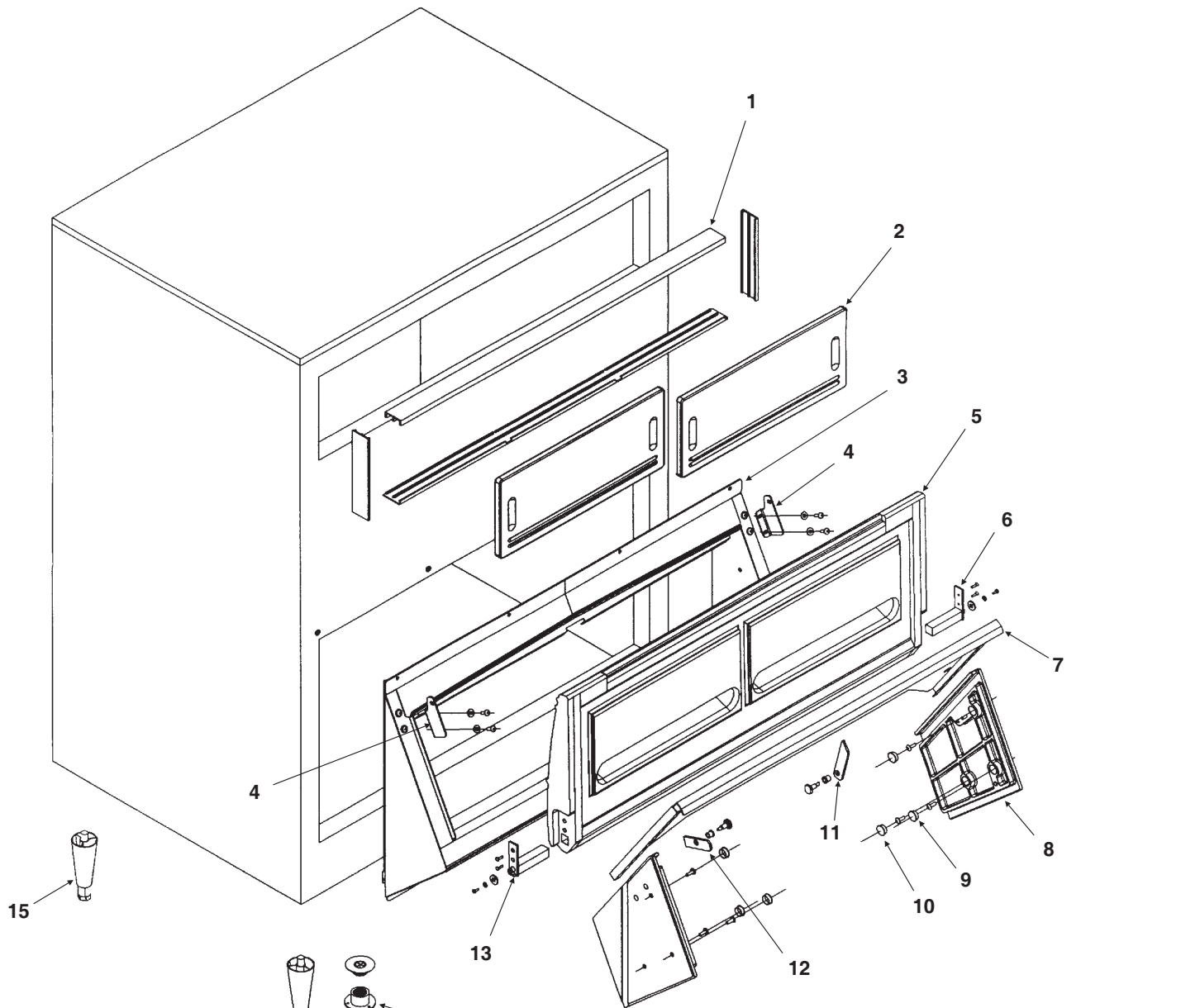
BH1370



Item Number	Part Number	Description
1	02-3769-16	Inspection door
2	A34447-001	Lift door
3	A34450-001	Gasket
4	02-3603-01	Check door pin kit, set of 2
5	02-3602-01	Ice check door
6	02-3604-01	Lock bar kit, set of 2
7	02-3601-01	Door frame and chute
8	02-3607-01	Drain fitting
9	A34448-001	Door pin kit, set of 2
10	A34449-001	Lift door catch, set of 2
11	19-0503-04	Gasket, order by the foot
12	02-3609-01	Check door catch, set of 2
13	A34458-001	Track kit, complete set

Bins, Condensers, and Accessories Service Parts

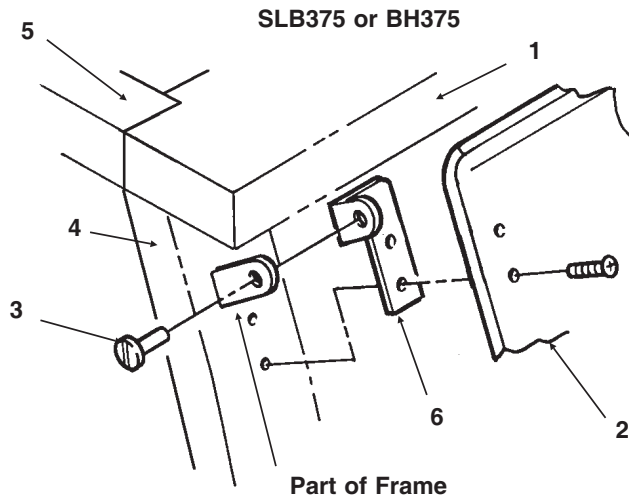
BH1356, BH1650, BH1366 & BH1666 Ice Storage Bin



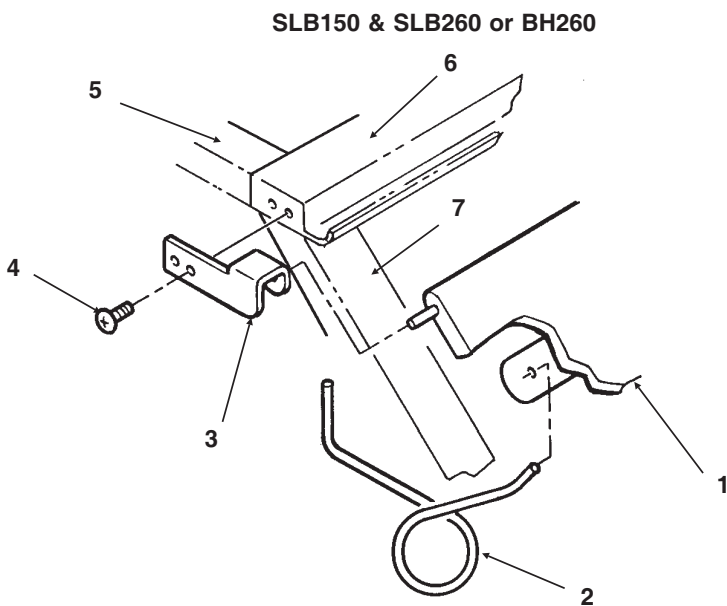
Item Number	Part Number	Description		Part Number	Description	
1	02-3769-02	Track		8	02-3769-12	End plate guide (pair)
2	02-3769-16	Window		9	02-3769-13	Screws for end plate
3	02-3769-04	Lower frame assy, BH1356 or BH1650		10	02-3769-14	Plugs for end plate
	02-3769-20	Lower frame assy, BH1366 or BH1666		11	02-3769-10	Catch for end plate
4	02-3769-08	Left & right hinges (pair)		12	02-3769-15	Ice gate retainer
5	02-3769-05	Door with door hinges		13	02-3769-06	Left hinge
6	02-3769-07	Right hinge		14	02-3769-01	Plastic drain
7	02-3769-09	Ice gate, BH1356 or BH1650		15	KLP2S	Legs
	02-3769-21	Ice gate, BH1366 or BH1666		Not Illustrated		
					02-3769-18	Optional Probe tool
					02-3769-19	Optional Plastic ice shovel
					02-3775-01	Z brackets
					03-1645-01	Screw for Z brackets
					02-3769-17	Gasket (only for BH1366 or BH1666)

Bins, Condensers, and Accessories Service Parts

SLB150, SLB260/BH260, SLB375/BH375



Item Number	Part Number	Description
1	C80211705	Canopy
2	C80230902	Bin door assembly (includes hinge)
3	C80206901	Hinge pin
4	C80209504	Door frame assembly
5	19-0503-04	Gasket tape, 90"
6	C80206601	Hinge for door, rt
	C80206602	Hinge for door, left
Not illustrated:		
7	C80399201	Clear button
8	C80511301	Baffle



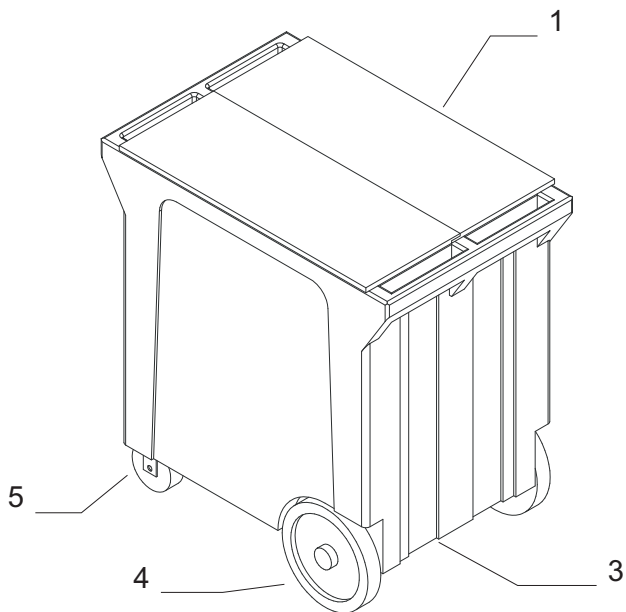
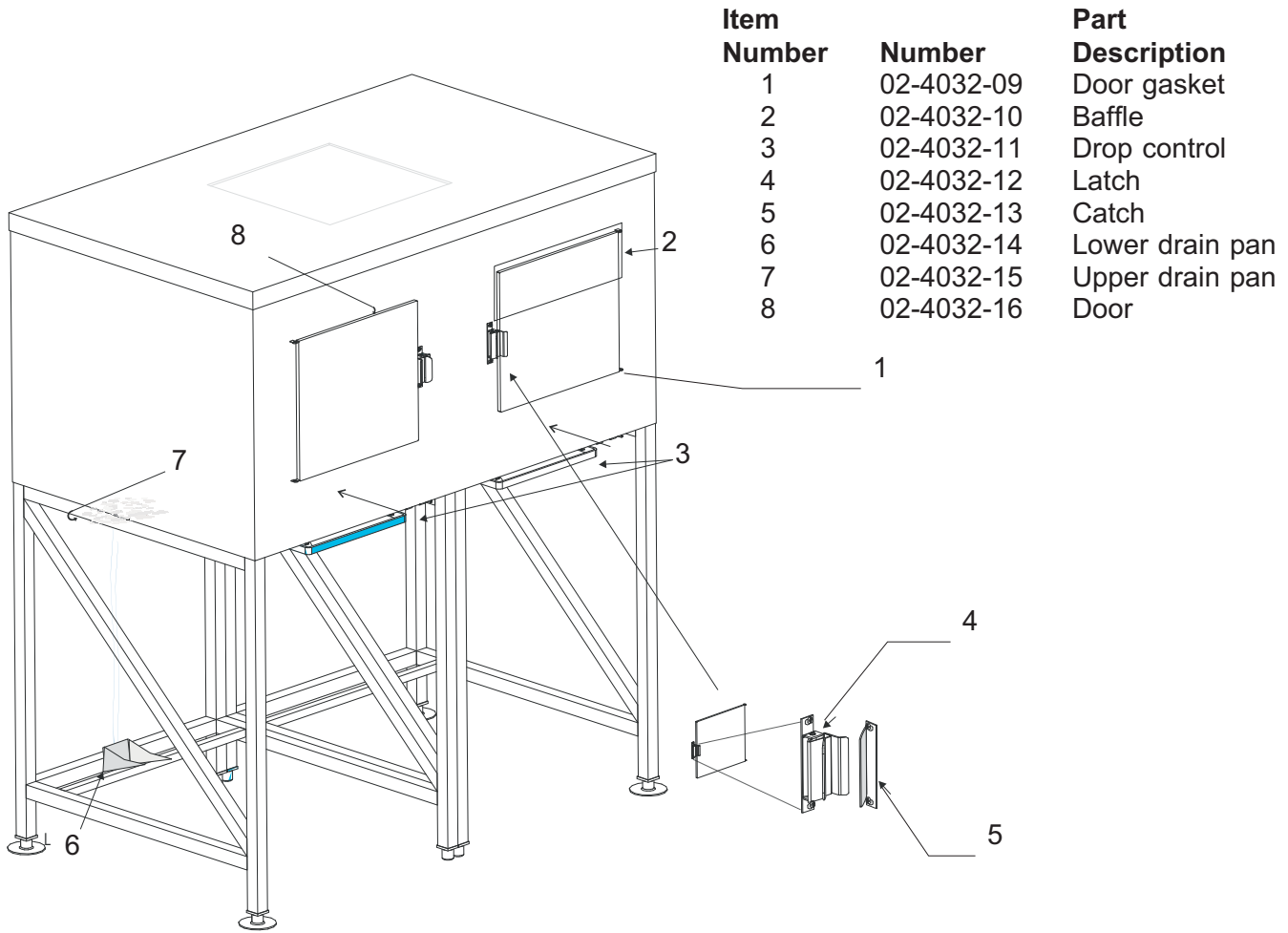
Item Number	Part Number	Description
1	C19475304	Door Assembly
2	C19629100	Door spring
3	C80299602	Left door hinge
	C80299601	Right door hinge
4	C19632604	Hinge pin
5	19-0503-04	Gasket tape, 90"
6	C80307602	Canopy
7	C80309002	Door frame assy
SLB150 Only		
	C34196203	Bin thermo bracket

Bin Drain Parts:	
BH375, SLB375, BH260 and SLB260	
Female fitting, pn C80205501	
Male fitting, pn C80205301	
Flanged hex nut, pn C80205401	
SLB150	
Drain fitting, pn C36619500	
Drain cup, pn C36619600	
Dran cap, pn C36619400	

Not Shown		
KSLDK Key Mech. Kit (Slimline)		
Item Number	Part Number	Description
1	C26203100	Micro switch
2	C42647900	Brass lock housing
3	C42792800	Switch bracket
4	C80417803	Key mech
5	C80575503	Coin mech cover
KSLDC, Coin Mech Kit (Slimline)		
1	C18223900	Term. board
2	12-2858-02	Control Relay
3	C80457301	Coin slide mech.
4	C80457401	Coin box
5	C80457501	Mounting plate
6	C80565701	Timer

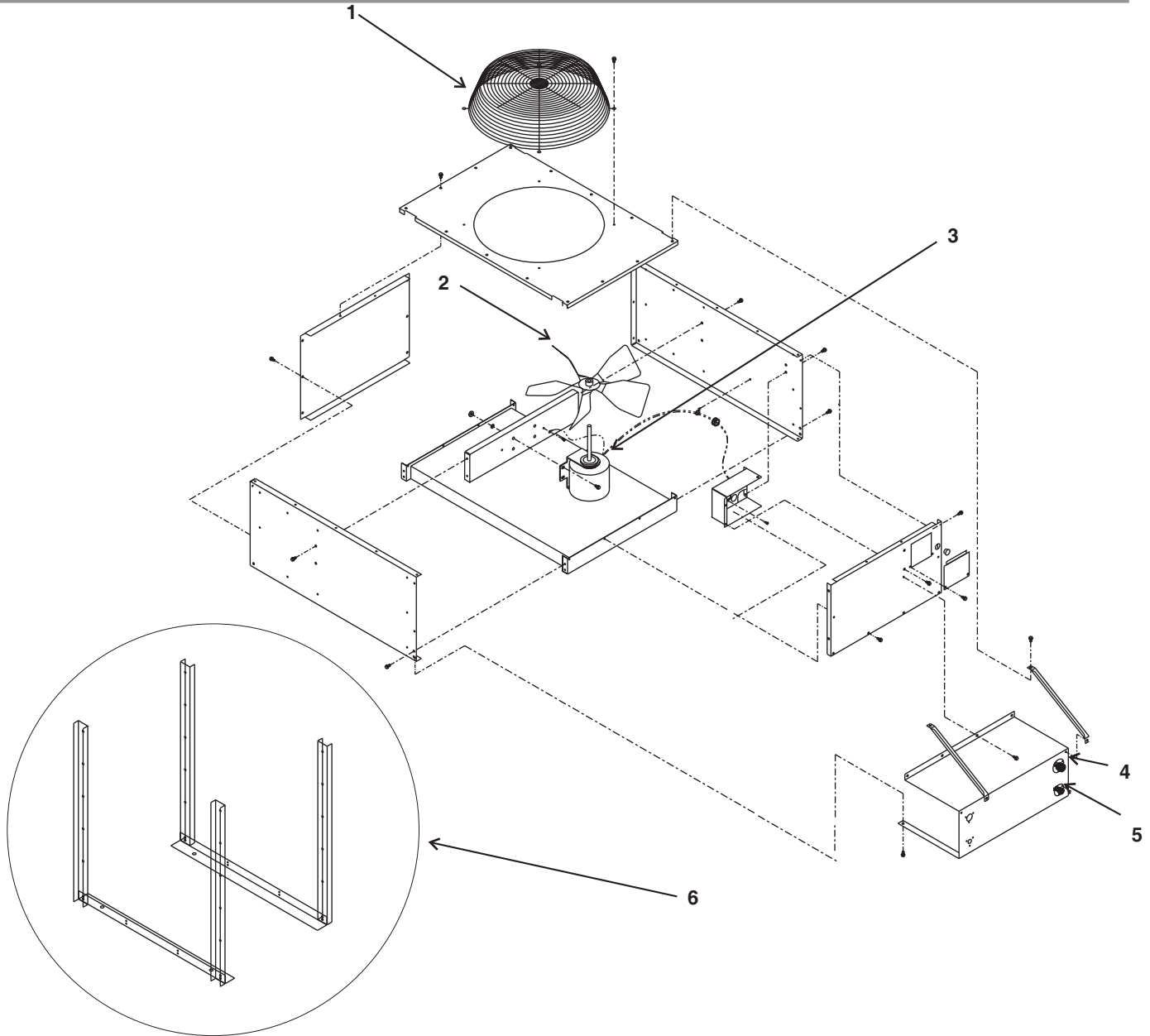
Bins, Condensers, and Accessories Service Parts

Ice Cart Systems (ICS1, ICS2, ICS3)



Bins, Condensers, and Accessories Service Parts

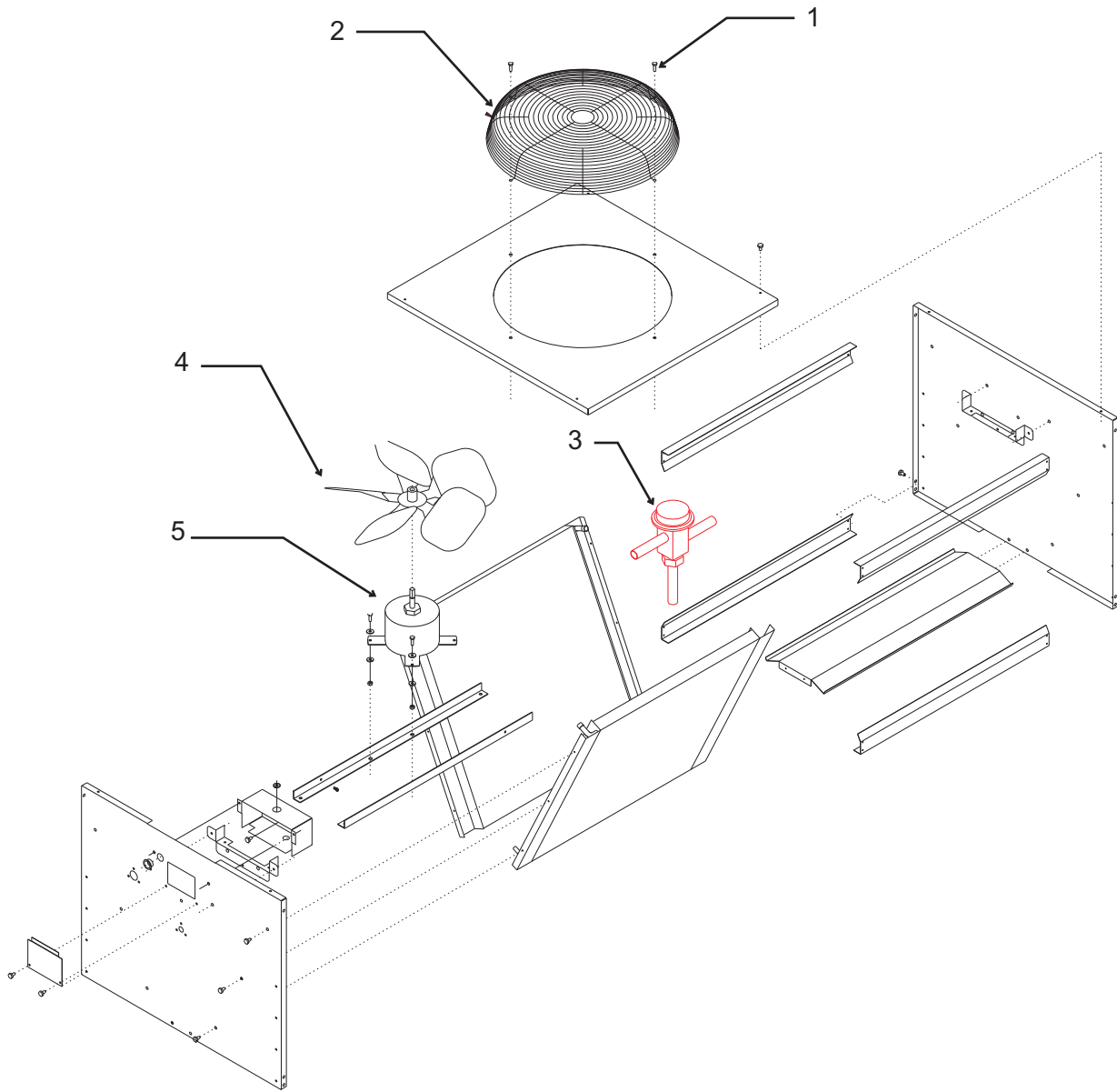
ERC Horizontal Coil Condenser



ITEM NUMBER	PART NUMBER	DESCRIPTION
1	02-3575-01	Fan guard
2	18-8800-01	Fan blade
3	18-8796-01	Fan motor ERC101
	18-8796-32	Fan motor ERC151, ERC201, ERC302, ERC401, ERC402
	18-8797-32	Fan motor ERC301
4	16-0850-01	Quick connect, discharge
5	16-0850-03	Quick connect, liquid
6	A36990-001	Leg kit for ERC101, 151, 201, 301, 302
	not available	Leg kit for ERC401, 402

Bins, Condensers, and Accessories Service Parts

ERC V Coil Condenser ERC111, 211, 311, 411, ERC680, ERC1086



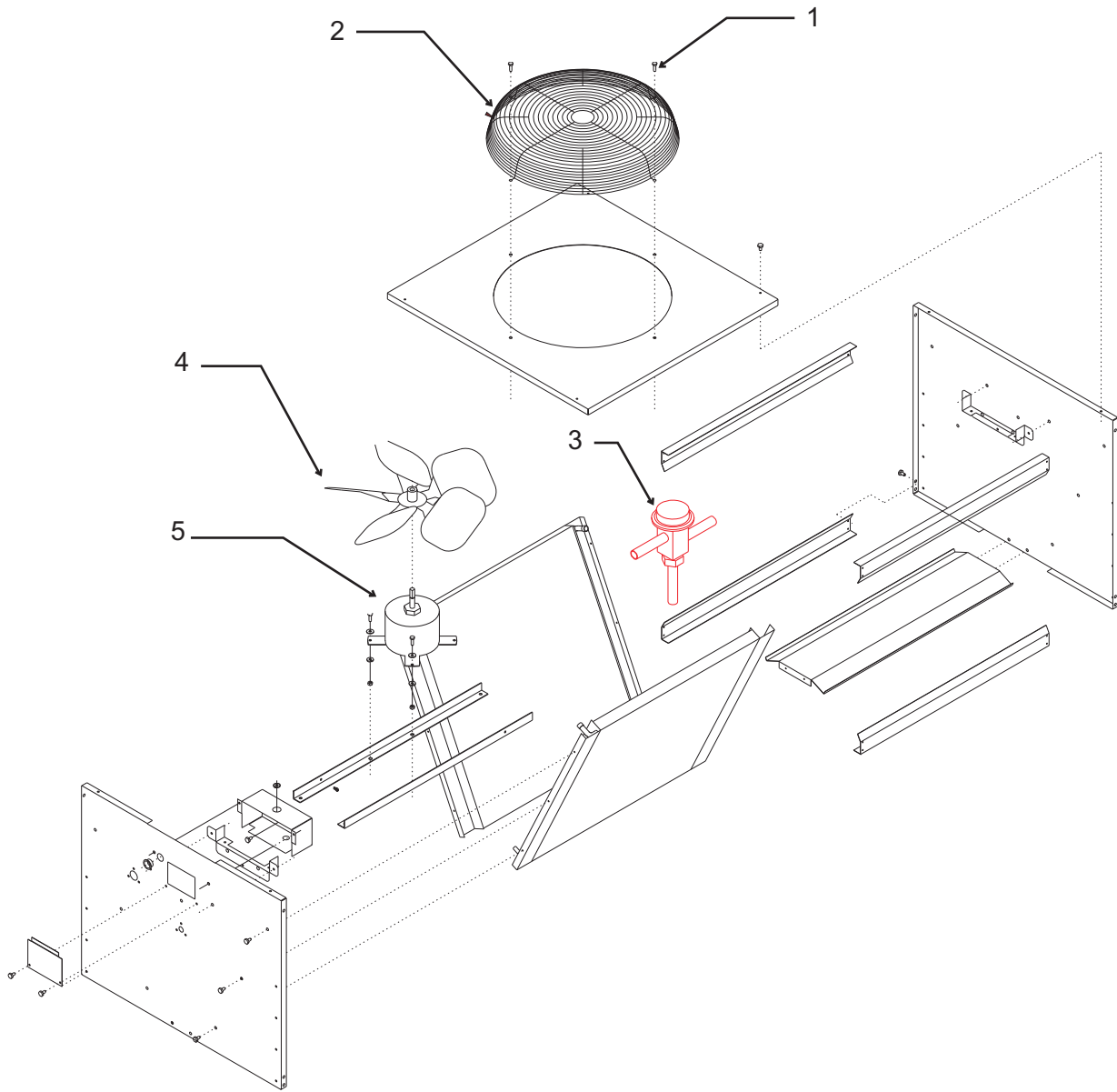
Item Number	Part Number	Description
1	03-1645-03	Screw
2	02-3575-01	Fan guard,
3	16-1025-01	Headmaster, ERC411
	16-1044-01	Headmaster, all others
4	18-8816-01	Fan blade
5	12-2651-01	Fan motor, ERC311, 411, 680, 1086
	12-2651-02	Fan motor, ERC111, 211

Not Shown:

- A37169-001 Leg - fits all
- A37170-001 Leg brace, ERC111, 211, 311, 411, 680, 1086
- 03-1645-01 Screw for legs
- ERC111, 211, 311, 411
- 16-0850-01 Quick connect, discharge
- 16-0850-03 Quick connect, liquid
- ER680, 1086, ER2C6810, 1316:
- 16-1057-04 Quick connect, discharge
- 16-1057-03 Quick connect, liquid.....
- Fan motor run capacitor: 18-8878-01
- Line set ends: KTE4 (set of all 4)
- Eclipse line set ends: KTE6 (set of all 6)
- EH Eclipse Line Set Ends; KTE6-EH

Bins, Condensers, and Accessories Service Parts

ERC V Coil Condenser, ERC611, ERC2086, ER2C6810, ER2C1316



Item Number	Part Number	Description
1	03-1645-01	Screw
2	02-3770-01	Fan guard
3	16-1044-01	Headmaster, ERC611
4	18-8820-01	Fan blade
5	12-2717-01	Fan motor

Not Shown:

- A37169-001 Leg - fits all
- A37296-001 Leg brace,
- 03-1645-01 Screw for legs

ERC611:

- 16-0850-01 Quick connect, discharge
- 16-0850-03 Quick connect, liquid

ER680, 1086, ER2C6810, 1316:

- 16-1057-04 Quick connect, discharge
- 16-1057-03 Quick connect, liquid

Fan motor run capacitor: 18-8878-01

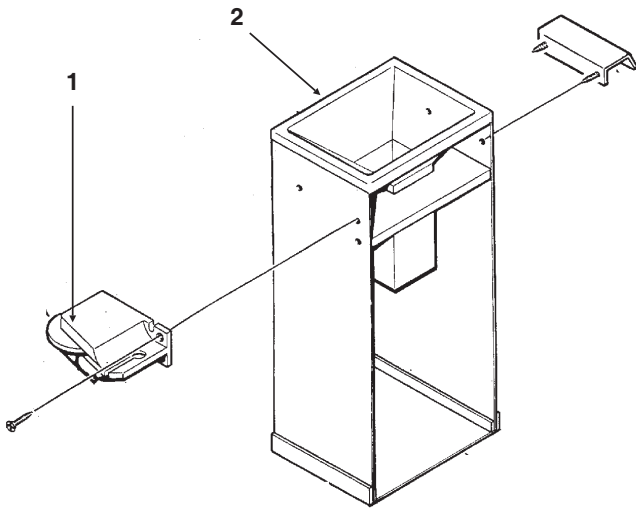
Line set ends: kTE4 (set of all 4)

Eclipse line set ends: KTE6 (set of all 6)

Bins, Condensers, and Accessories

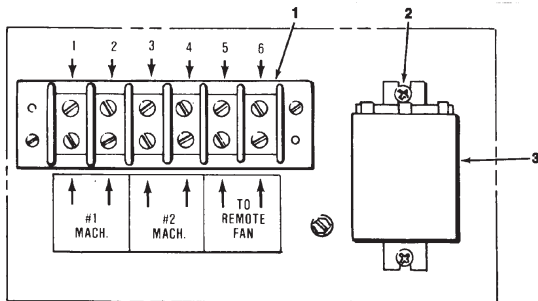
Service Parts

Bagger; Fan Relay Box, KDIL Thermostats



SPEEDY BAGGER

Item Number	Part Number	Description
1	02-3261-01	Holder, tape roll
2	02-3259-01	Ice chute



KCMR230 & KCMR-115 Fan Relay Kit: Two Remote Ice Makers on One Condenser

ITEM NUMBER	PART NUMBER	DESCRIPTION
1	12-0813-03	Terminal Strip
2	03-1403-21	Screw
3	12-2070-04	Relay - 230 volt
	12-2070-01	Relay - 115 volt

KDIL Thermostats

KDIL-N - thermostat part number is 11-0353-23

KDIL-C - thermostat part number is 11-0427-03

Modular Hardware - cabinet to bin

A30911-015 Mounting Straps

03-1405-13 Mounting bolt

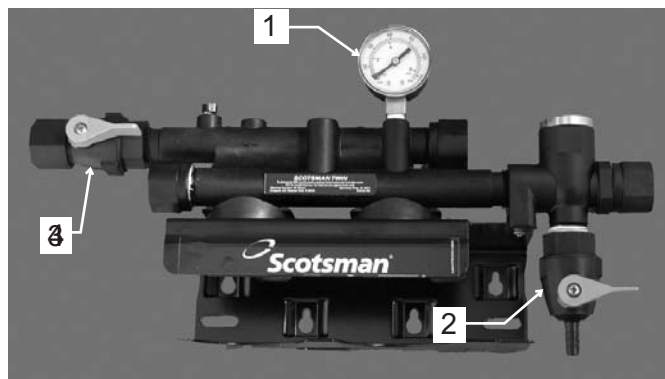
Thermostat brackets

02-3740-01 CM₃ 1056 & up

03-1675-03 Bolt (plastic head)

Bins, Condensers, and Accessories Service Parts

Water Filters



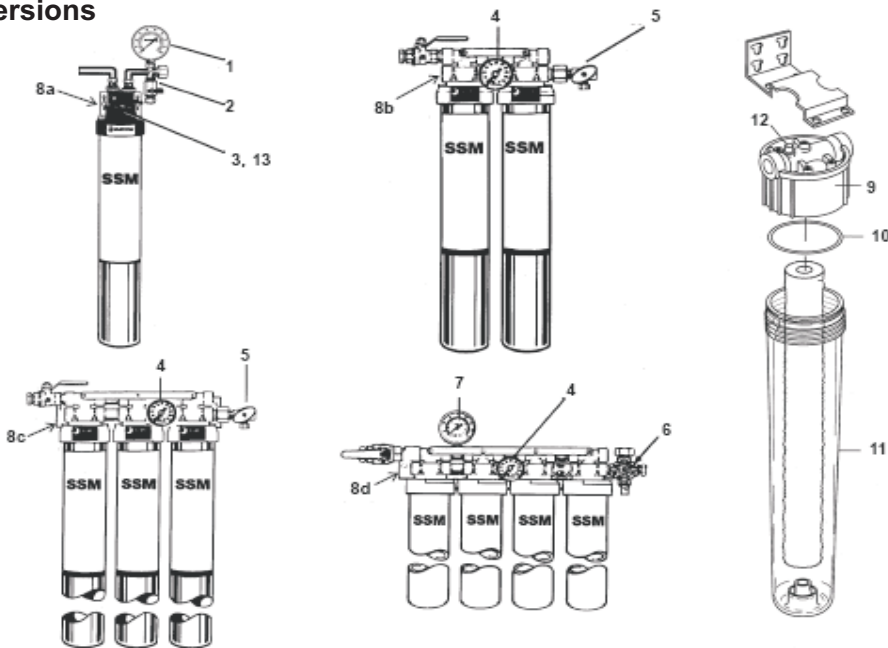
SSM1, SSM2, or SSM3 Water Filters Parts Current Version

Item	SSM1	SSM2, 3	Description
1	02-3790-15	02-3790-15	Gauge
2	02-3790-16	02-3790-19	Flushing Valve
3	-	023790-20	Inlet Valve
4	02-3790-21	-	Valve handle

Pre-Filter Parts - Current Version

9n	02-3790-22	Head assembly
10n	02-3790-23	O-ring
11n	02-3790-24	20" bowl
	02-3790-25	10" bowl

Prior Versions



Current Pre Filter



Prior Version Parts

Item Number	Part Number	Description
1	02-3790-15	Outlet gauge
2	02-3790-16	Activation valve, single
3	02-3790-12	Valve stem
4	02-3790-14	Outlet gauge
5	02-3790-17	Activation valve
6	02-3790-18	Activation valve, quad
7	02-3790-13	Pressure gauge
8a	02-3790-01	Single bracket
8b	02-3790-02	Dual bracket
8c	02-3790-03	Triple bracket
8d	02-3790-04	Quad bracket
9	02-3790-05	Screw for bracket
9n	02-2790-06	Prefilter head
10	02-3790-07	Ring seal
11	02-3790-08	20" bowl
	02-3790-09	10" bowl
12	02-3790-10	Pressure relief kit
13	02-3790-11	Valve handle

Bins, Condensers, and Accessories

Service Parts

Accessories

Description	Part Number
Ice Scoop, large	02-0540-00
Ice scoop, small	02-3070-01
Scoop holder (wire)	02-3647-20
Scoop holder (SS)	A35447-001
Water inlet strainer 1/4"	16-0162-00
Water inlet strainer 3/8"	16-0162-01

Cleaners:

Clear 1 Scale Remover	
Case of 12 (16) ounce bottles	19-0653-12

Lubricants

Gear oil, 1 pint can	A32379-027
Flaker bearing grease	A29123-001
Food grade grease	19-0569-01
Food grade sealant	19-0529-01
Bearing grease needle	02-3559-01
Tube of flaker grease	A36808-001

Paint

No paint is available.

Legs:

6" leg kit (set of 4) for most Scotsman Bins:	
Painted	KLP7
Nickel plated	KLP2S

See PS-17-2000 for leg and caster info.

ID Adapter Baffle Parts:

Dispenser model and ice machine model required to identify KBT adapter. See equipment price list for adapter models.

R620042921 – used on KBT40 – no hardware needed

R620042913 – used on KBT41 – no hardware needed

*R620042928 - used on KBT42

*R620042927 – used on KBT43, 44, and 46.

*Use 2 each of hardware R620701903, R620701901, and R620701902 to attach the baffle.

KBT42 manual fill door: R52944

KBT46, KBT43 and KBT44 manual fill door: R53003

Misc:

Inlet water valve (white body type) rebuild kit 12-2636-20

Blue body valve rebuild kit: 12-2912-01

Water regulating valve rebuild kit: 11-0559-01 (3/8" only)

DMS Machine Stand Panels

DMS31

- A34670-003 Left side
- A34670-004 Right side
- A34671-002 Front
- A34673-002 Top
- A34666-002 Bottom

DMS21

- A33405-001 Left side
- A33405-002 Right side
- A34659-001 Front
- A33407-002 Bottom
- A34661-001 Top