

NME654R & FME804R SERVICE PARTS

This parts list contains the service parts and wiring diagrams for this model. Check the model number in question to be sure that it is applicable to this parts list.

Note: The liquid line filter drier listed in this parts list is designed for this refrigeration system. Premature failure may result if the wrong drier is used.

TABLE OF CONTENTS

| | |
|----------------------------|----|
| Cabinet | 2 |
| Refrigeration | 3 |
| NME Evaporator | 4 |
| FME Evaporator | 5 |
| Water System | 6 |
| Gear Motor | 7 |
| Control Box | 8 |
| Remote Condenser | 9 |
| Wiring Diagrams | 10 |

NME654R & FME804R SERVICE PARTS

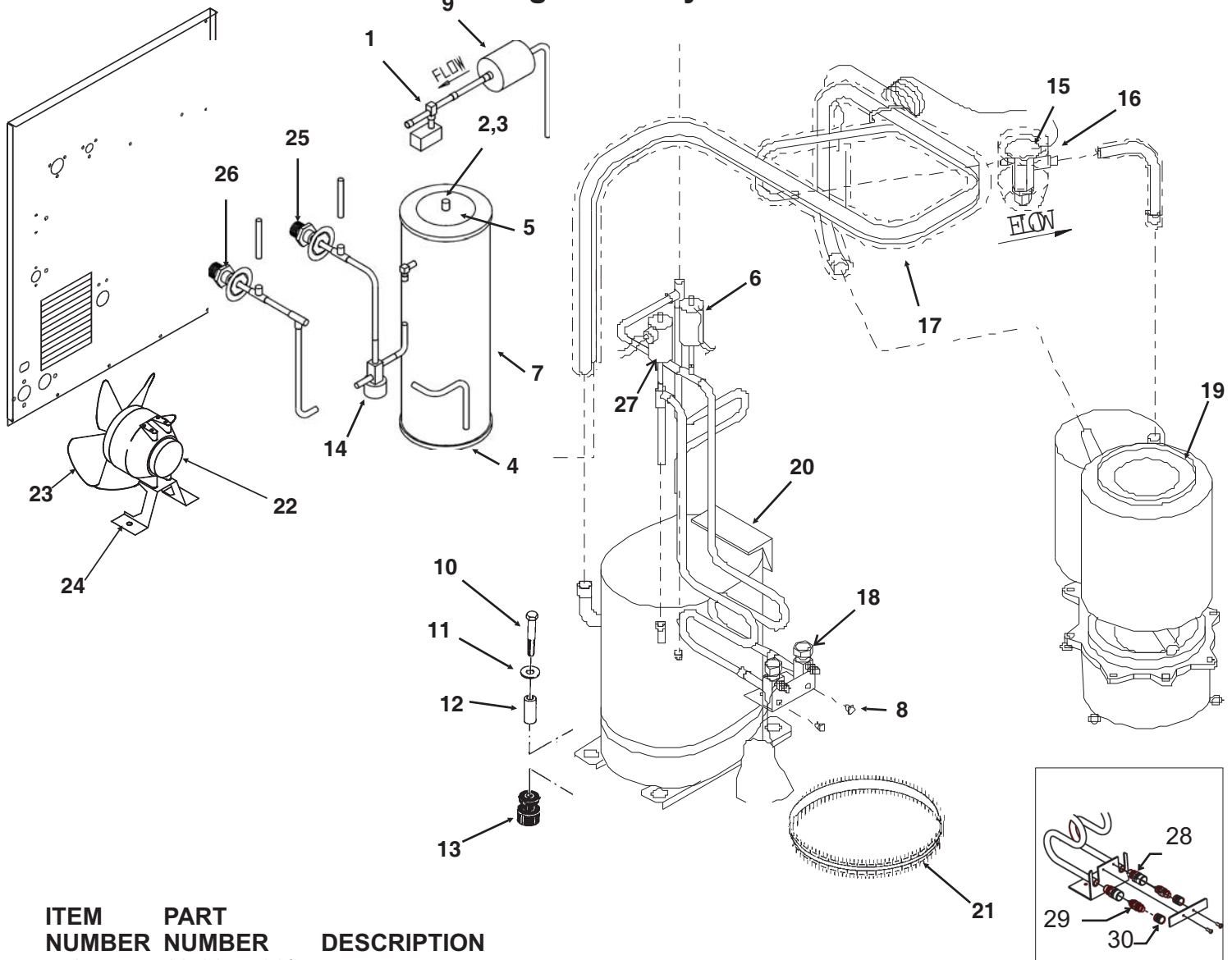
Cabinet Assembly



| ITEM NUMBER | PART NUMBER | DESCRIPTION | ITEM NUMBER | PART NUMBER | DESCRIPTION |
|-------------|-------------|-----------------------------|-------------|-------------|-------------------------|
| 1 | A35924-002 | Back panel, stainless steel | 7 | 03-1419-22 | Screw |
| 2 | A33256-002 | Top Panel, S.S. | 8 | A33255-002 | Front Panel, louvered |
| 3 | A33946-032 | Service Panel, louvered | | A39048-001 | Front panel, no louvers |
| 4 | A33292-002 | Right Side Panel, S.S. | 9 | A35890-001 | Base Assembly |
| 5 | 03-0271-00 | Speed Clip | 10 | 02-0836-00 | Catch |
| 6 | 15-0808-01 | Emblem | | 15-0411-00 | Strike |
| | | | | 03-1406-04 | Nut |
| | | | 11 | 03-1531-01 | Screw |
| | | | 12 | A34039-001 | Control Box Support |
| | | | 13 | A32435-002 | Left Side Panel, S.S. |
| | | | 14 | 03-1404-12 | Screw |

NME654R & FME804R SERVICE PARTS

Refrigeration System

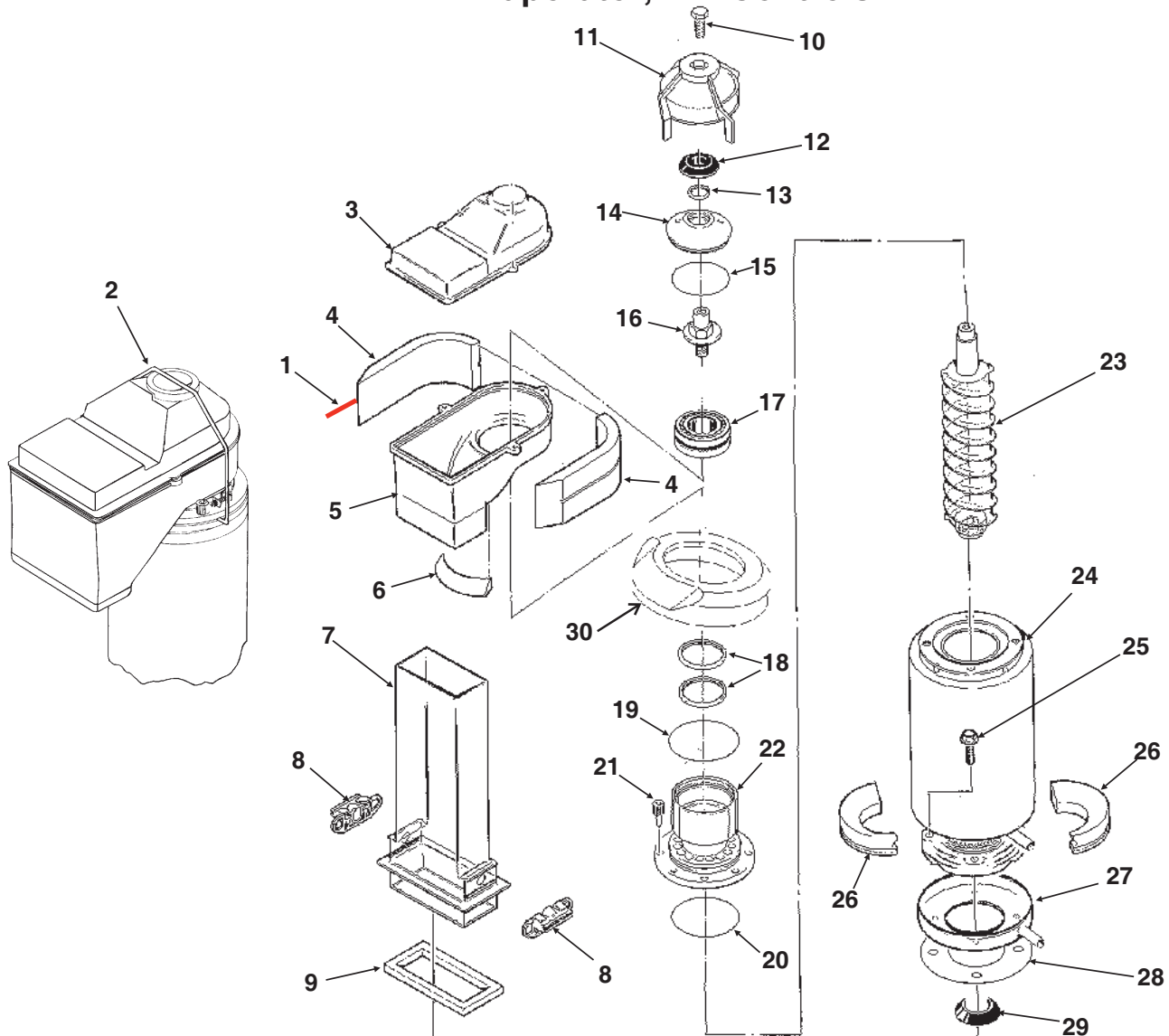


| ITEM NUMBER | PART NUMBER | DESCRIPTION |
|-------------|-------------|-----------------------------|
| 1 | 12-2274-02* | Liquid line valve or |
| | 12-2135-01* | Liquid line valve |
| 2 | 03-1406-13 | Nut |
| 3 | 03-1410-06 | Washer |
| 4 | A32968-001 | Receiver Support |
| 5 | A31801-002 | Receiver Bracket |
| 6 | 11-0501-22 | Hi Pressure Cut Out |
| 7 | 16-0761-01 | Receiver |
| 8 | 03-1645-01 | Cap Screw |
| 9 | 02-3319-02 | Dryer |
| 10 | 03-1405-20 | Cap Screw |
| 11 | 03-1407-07 | Washer |
| 12 | 18-2200-27 | Sleeve |
| 13 | 18-2200-28 | Rubber Grommet |
| 14 | 11-0422-25 | Head Pressure Valve |
| 15 | 11-0488-21 | Thermo Expansion Valve |
| 16 | A32961-020 | Insulation Kit for TXV |
| 17 | A35870-001 | Suction Line |
| 18 | 16-0832-20 | Access valve |
| 18a | 16-0832-02 | Stem cap |
| 18b | 16-0832-03 | Core cap |
| 19 | A33194-020 | Evaporator - see page 6 |
| 20 | 18-8721-21 | Compressor 115/60/1 |
| | 18-8711-50 | Overload 115/60/1 |
| 21 | 12-1868-04 | Crankcase Htr 115 v |
| 22 | 12-1576-01 | Fan motor |
| 23 | 18-8708-01 | Fan blade |
| 24 | A35246-001 | Fan motor bracket |
| 25 | 16-0850-03 | Quick connect fitting, 3/8" |
| 26 | 16-0850-01 | Quick connect fitting, 1/2" |
| 27 | 11-0502-21 | Pump down control |
| 28 | 16-1137-01 | Access valve body |
| 29 | 16-1139-01 | Core |
| 30 | 16-1140-01 | Cap |

* Either solenoid valve may be used.

NME654R & FME804R SERVICE PARTS

NME Evaporator, Bin Controls

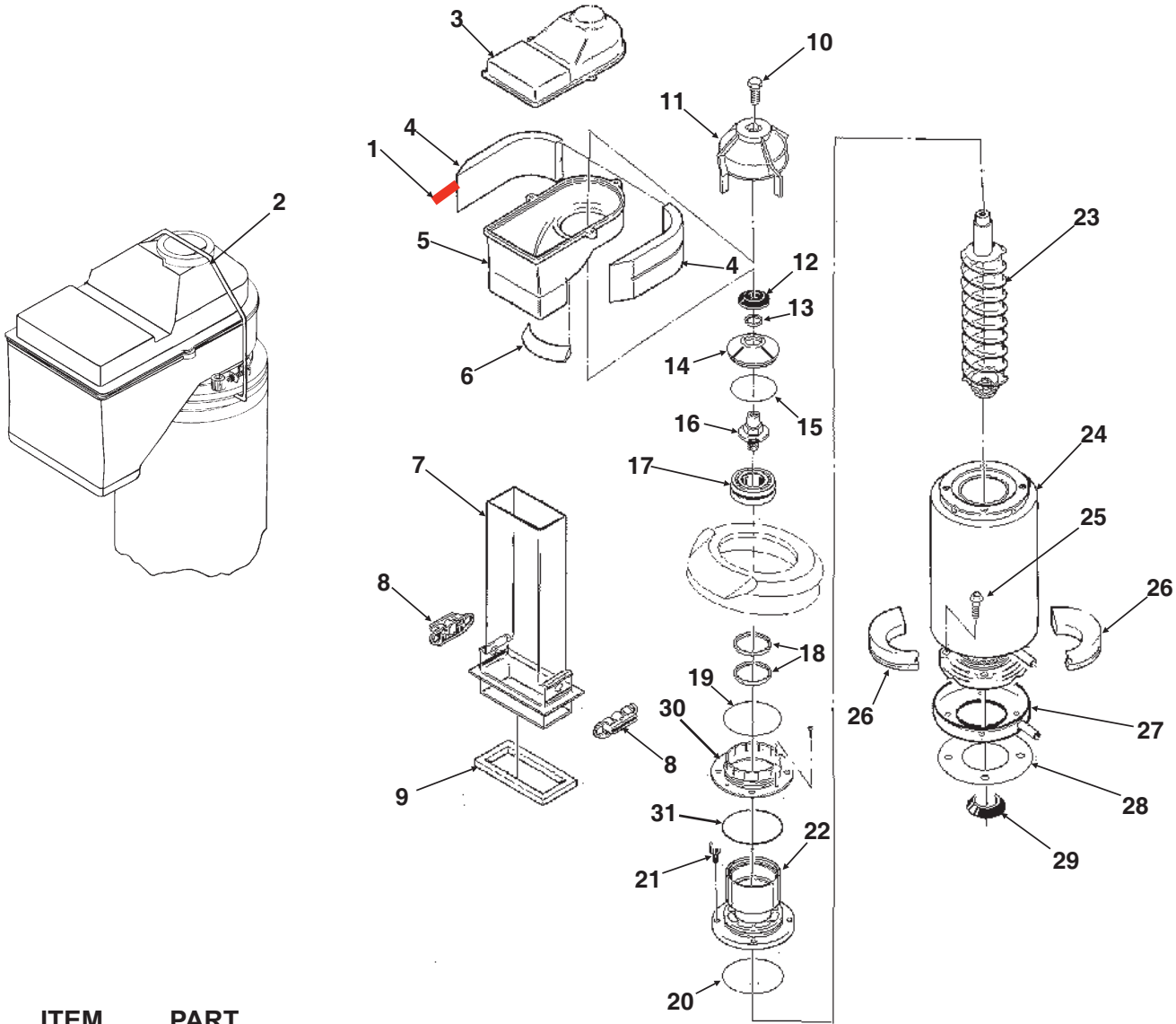


| ITEM NUMBER | PART NUMBER | DESCRIPTION |
|-------------|-------------|-------------------------------|
| 1. | A35419-020 | Strap kit* |
| 2. | A34969-001 | Bail clamp |
| 3. | 02-2930-04 | Ice Chute Cover |
| 4. | A32963-001 | Insulation Top (half)* |
| 5. | 02-3841-01 | Ice Chute Body w/ins* |
| 6. | A33102-001 | Insulation Collar Inside* |
| 7. | 02-2929-03 | Ice Chute Lower |
| 8. | A37708-021 | Bin Controls Assy. (set of 2) |
| 9. | A32930-001 | Chute Gasket |
| 10. | 03-1405-52 | Hex Cap Screw |
| 11. | 02-3001-01 | Ice Sweep |
| 12. | 13-0871-01 | Water Shed |
| 13. | 02-2978-01 | Lip Seal |
| 14. | 02-3128-20 | Breaker Cover |
| 15. | 13-0617-54 | O-Ring |
| 16. | 08-0660-01 | Auger Stud |
| 17. | A34559-020 | Bearing |
| 18. | 02-2977-01 | Lip Seal |
| 19. | 13-0617-52 | O-Ring |
| 20. | 13-0617-45 | O-Ring |
| 21. | 03-1544-08 | Soc. Head Screw |
| 22. | A32900-020 | Breaker (includes 18 & 19) |
| 23. | A38071-021 | Auger |
| 24. | A33194-020 | Evaporator |
| 25. | 03-1405-41 | Cap Screw |
| 26. | A32962-001 | Insulation Bot. (half) |
| | A32962-002 | Insulation half |
| 27. | 02-3837-01 | Drip Pan |
| 28. | 13-0704-00 | Drip Pan Gasket |
| 29. | 13-0868-01 | Water Shed |
| 30. | 13-0929-02 | Insulation donut* |

* Insulation changed Oct. 2000. Item 30 added and item 5 changed at that time. Items 1, 4, and 6 not used after that.

NME654R & FME804R SERVICE PARTS

FME Evaporator

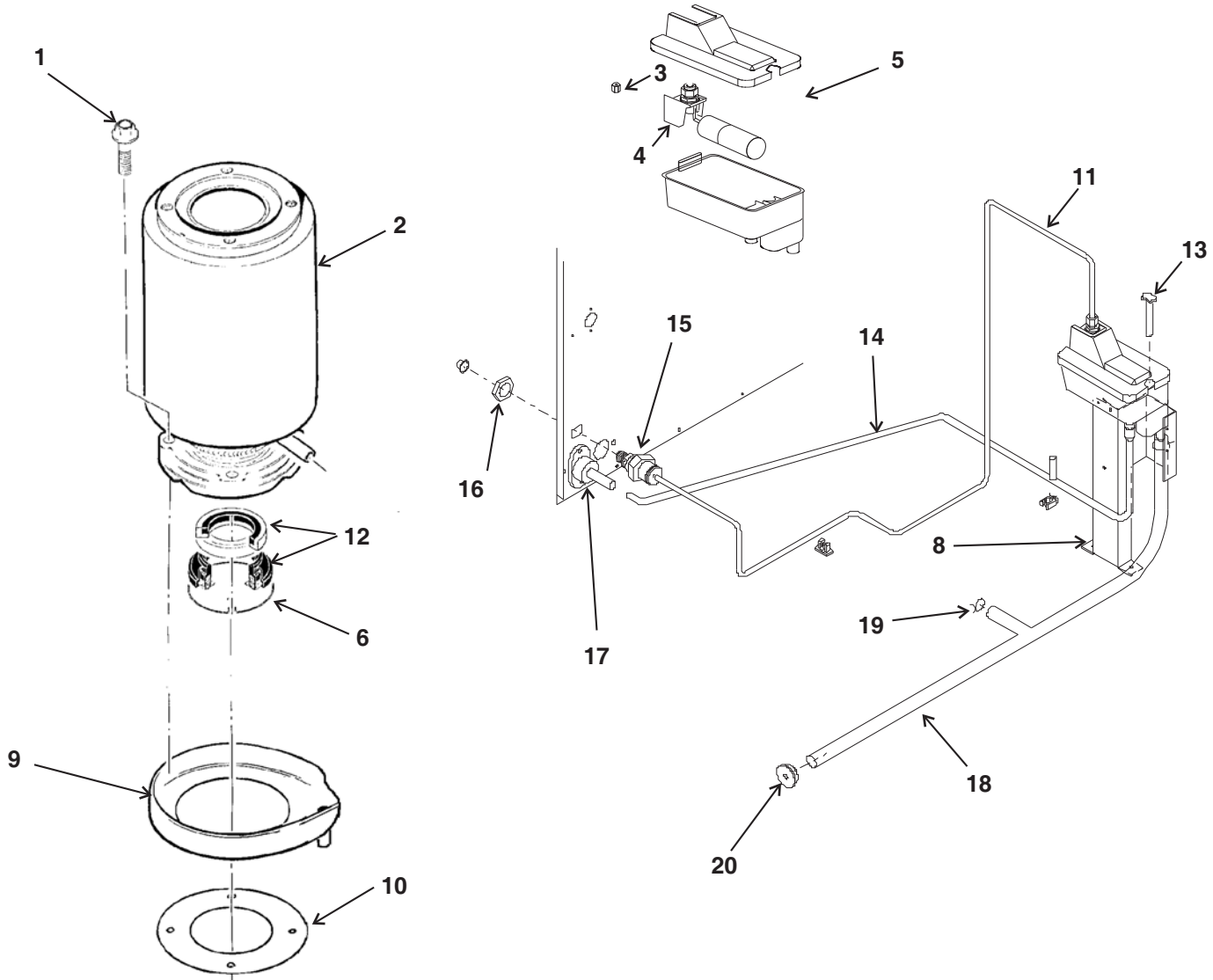


| ITEM NUMBER | PART NUMBER | DESCRIPTION |
|-------------|--------------------------|---|
| 1. | A35419-020 | Strap kit* |
| 2. | A34969-001 | Bail clamp |
| 3. | 02-2930-04 | Ice Chute Cover |
| 4. | A32963-001 | Insulation Top (half)* |
| 5. | 02-3841-01 | Ice Chute Body w/ins* |
| 6. | A33102-001 | Insulation Collar Inside* |
| 7. | 02-2929-03 | Ice Chute Lower |
| 8. | A37708-021 | Bin Controls Assy. (set of 2) |
| 9. | A32930-001 | Chute Gasket |
| 10. | 03-1405-52 | Hex Cap Screw |
| 11. | 02-3001-01 | Ice Sweep |
| 12. | 13-0871-01 | Water Shed |
| 13. | 02-2978-01 | Lip Seal |
| 14. | 02-3128-20 | Breaker Cover |
| 15. | 13-0617-54 | O-Ring |
| 16. | 08-0660-01 | Auger Stud |
| 17. | A34559-020 | Bearing |
| 18. | 02-2977-01 | Lip Seal |
| 19. | 13-0617-52 | O-Ring |
| 20. | 13-0617-45 | O-Ring |
| 21. | 03-1544-08 | Soc. Head Screw |
| 22. | A34505-020 | Breaker (includes 18 & 19) |
| 23. | A38071-021 | Auger |
| 24. | A33194-020 | Evaporator |
| 25. | 03-1405-41 | Cap Screw |
| 26. | A32962-001 A32962-002 | Insulation Bot. (half) Insulation half |
| 27. | 02-3837-01 | Drip Pan |
| 28. | 13-0704-00 | Drip Pan Gasket |
| 29. | 13-0868-01 | Water Shed |
| 30. | 02-2916-01 | Slotted collar |
| 31. | 13-0617-49 | O-Ring |
| 32. | 13-0929-01 | Insulation donut* |

* Insulation changed Oct. 2000. Item 32 added and item 5 changed at that time. Items 1, 4, and 6 not used after that.

NME654R & FME804R SERVICE PARTS

Water System, Water Seal

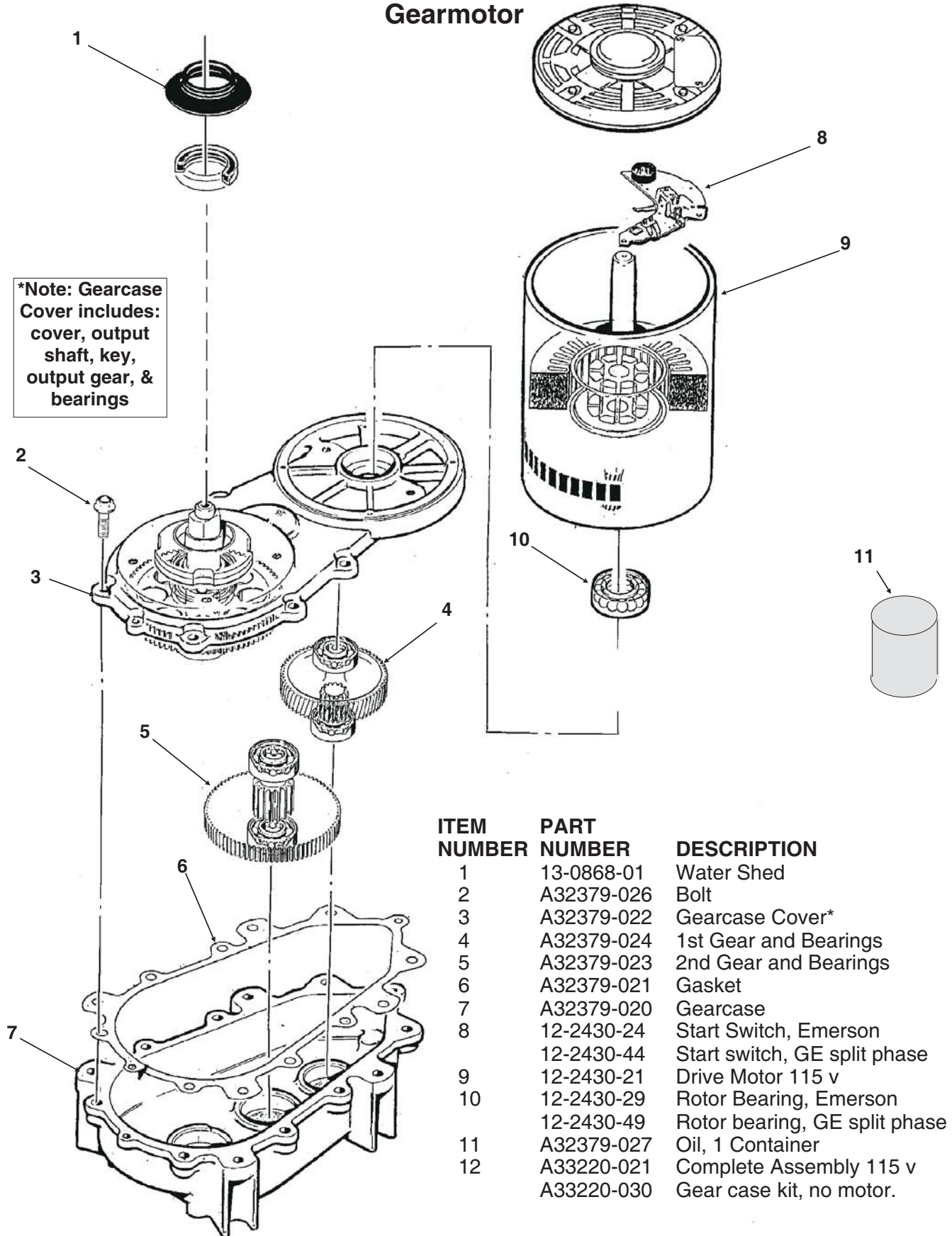


| ITEM NUMBER | PART NUMBER | DESCRIPTION |
|-------------|-------------|-------------------------|
| 1 | 03-1405-41 | Cap Screw |
| 2 | A33194-020 | Evaporator |
| 3 | 02-3266-03 | Valve seat |
| 4 | 02-3266-02 | Float valve and seat |
| 5 | 02-3266-01 | Reservoir Assembly |
| 6 | A32777-001 | Retaining Ring for Seal |
| 8 | A37481-001 | Reservoir bracket |
| 9 | 02-3837-01 | Drip Pan |
| 10 | 13-0704-00 | Gasket |
| 11 | 13-0895-01 | Inlet tubing, 4 ft req. |
| 12 | 02-0929-23 | Water Seal |
| 13 | 12-2760-21 | Water sensor |

| ITEM NUMBER | PART NUMBER | DESCRIPTION |
|-------------|-------------|------------------------|
| 14 | 02-3826-03 | Res. overflow hose |
| 15 | 16-0835-01 | Water Inlet Fitting |
| | 16-1039-01 | Male connector |
| 16 | 03-1394-01 | Pal Nut |
| 17 | 02-3692-22 | Drain fitting |
| 18 | A36154-001 | Evap. water inlet tube |
| 19 | 02-1338-00 | Hose clamp |
| 20 | 13-0840-01 | Plug |

NME654R & FME804R SERVICE PARTS

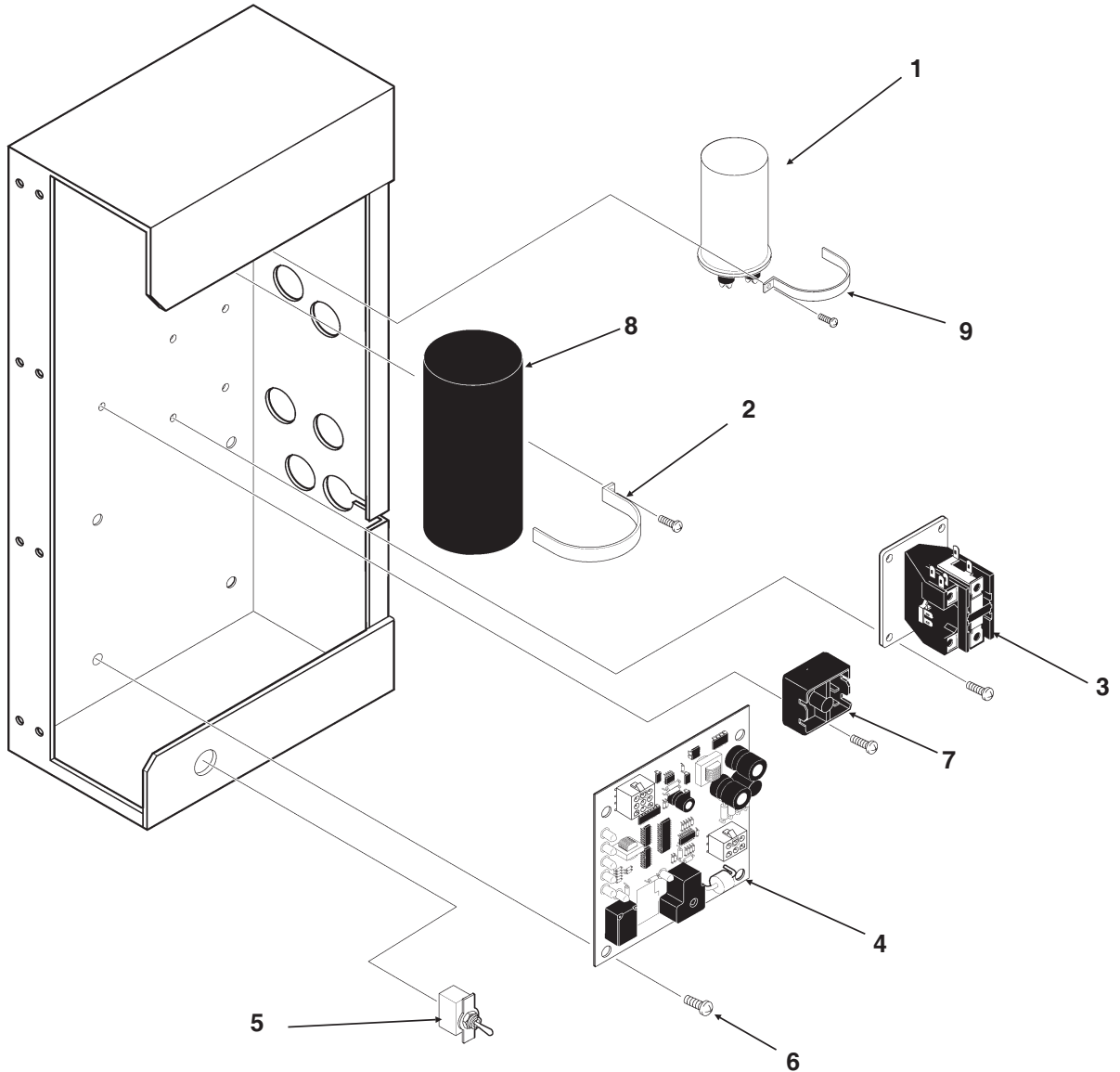
Gearmotor



| ITEM NUMBER | PART NUMBER | DESCRIPTION |
|-------------|-------------|-------------------------------|
| 1 | 13-0868-01 | Water Shed |
| 2 | A32379-026 | Bolt |
| 3 | A32379-022 | Gearcase Cover* |
| 4 | A32379-024 | 1st Gear and Bearings |
| 5 | A32379-023 | 2nd Gear and Bearings |
| 6 | A32379-021 | Gasket |
| 7 | A32379-020 | Gearcase |
| 8 | 12-2430-24 | Start Switch, Emerson |
| | 12-2430-44 | Start switch, GE split phase |
| 9 | 12-2430-21 | Drive Motor 115 v |
| 10 | 12-2430-29 | Rotor Bearing, Emerson |
| | 12-2430-49 | Rotor bearing, GE split phase |
| 11 | A32379-027 | Oil, 1 Container |
| 12 | A33220-021 | Complete Assembly 115 v |
| | A33220-030 | Gear case kit, no motor. |

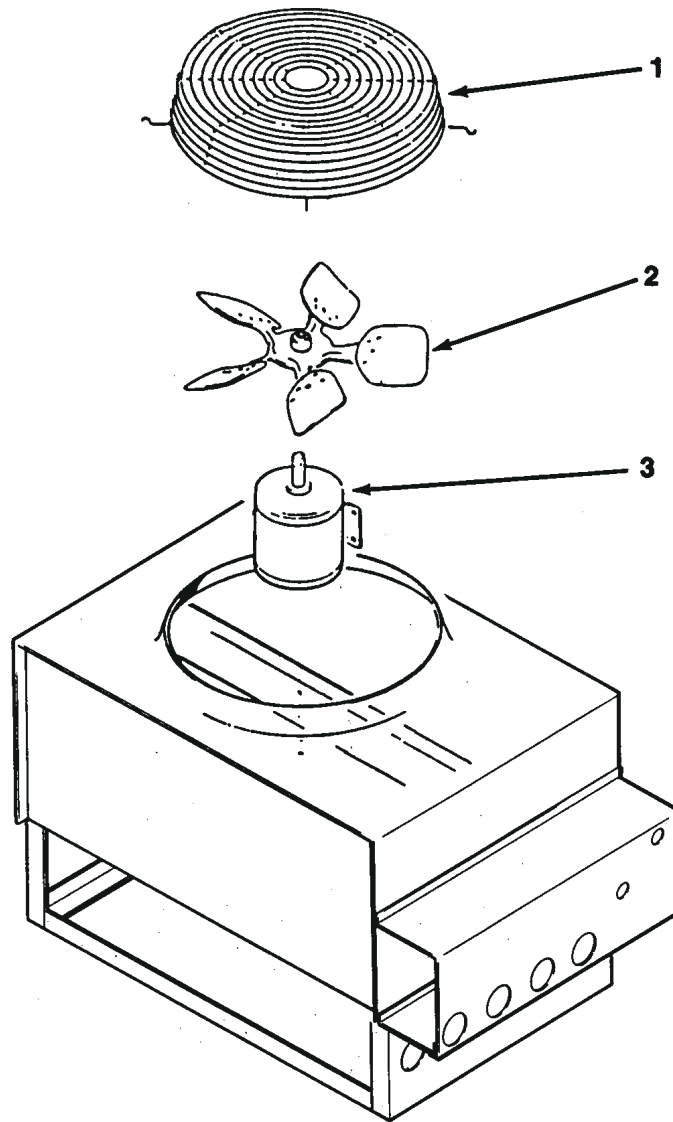
NME654R & FME804R SERVICE PARTS

Control Box



| ITEM NUMBER | PART NUMBER | DESCRIPTION | ITEM NUMBER | PART NUMBER | DESCRIPTION |
|-------------|-------------|-------------------------|-----------------|-------------|-----------------------|
| 1 | 18-1901-03 | Start Cap | 7 | 18-1903-50 | Potential Relay |
| 2. | A35971-002 | Start Capacitor Bracket | 8 | 18-1902-45 | Run capacitor |
| 3. | 12-2469-03 | Contactora | 9 | A35971-001 | Run capacitor bracket |
| 4 | 12-2835-22 | Circuit Board | NOT ILLUSTRATED | | |
| 5. | 12-0426-02 | Master Switch | 10 | A37861-001 | Control Box Cover |
| 6. | 12-2350-01 | Stand off | | | |

NME654R & FME804R SERVICE PARTS REMOTE CONDENSER



ERC101-1A

| ITEM NUMBER | PART NUMBER | DESCRIPTION |
|-------------|-------------|-------------|
| 1 | 02-3575-01 | Fan guard |
| 2 | 18-8800-01 | Fan blade |
| 3 | 18-8796-01 | Fan motor |

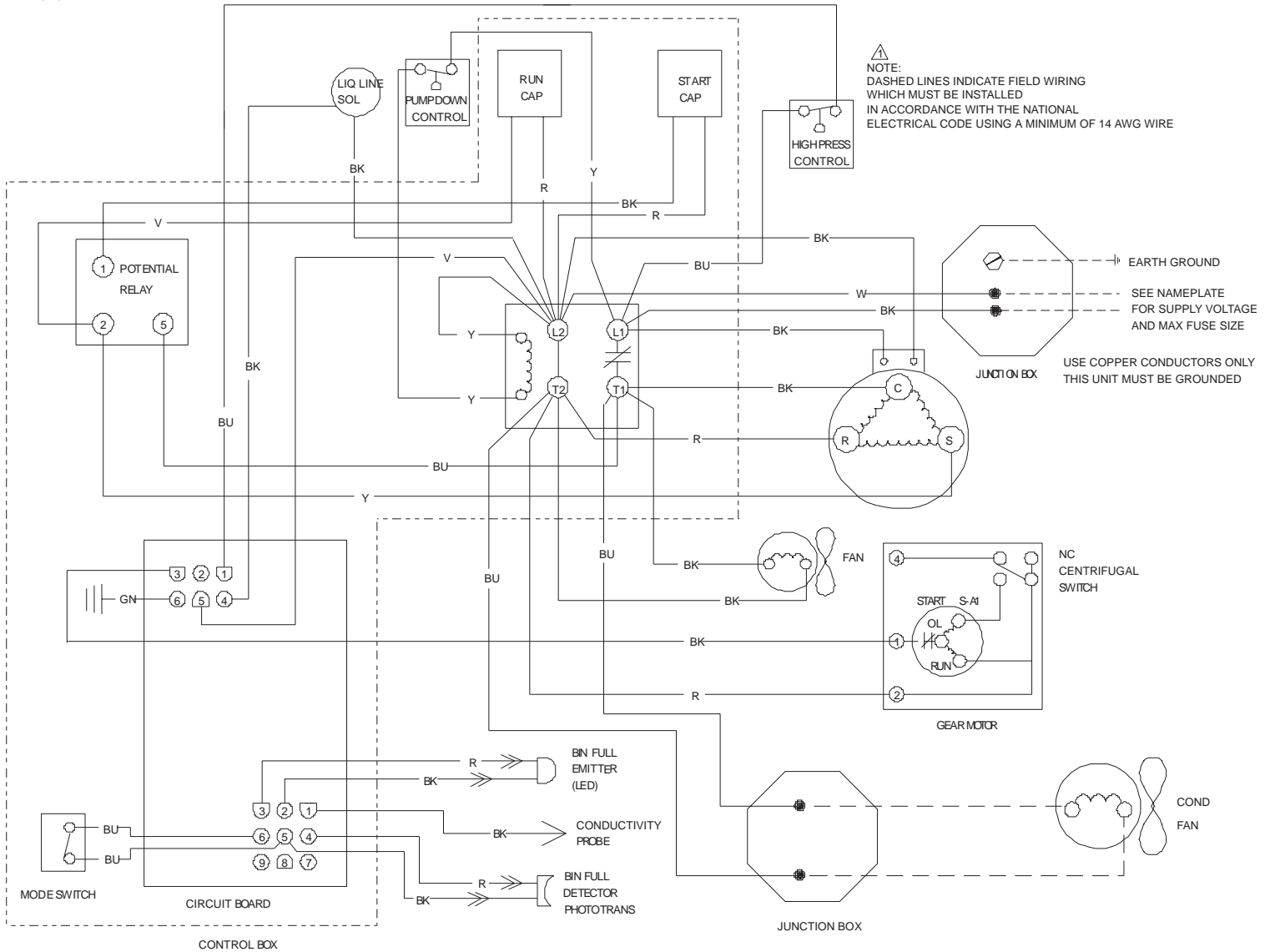
For pre-charged line sets:

| | | |
|---|------------|------------------------|
| 4 | 16-1057-01 | Female coupling (3/8") |
| 5 | 16-1057-02 | Female coupling (1/2") |

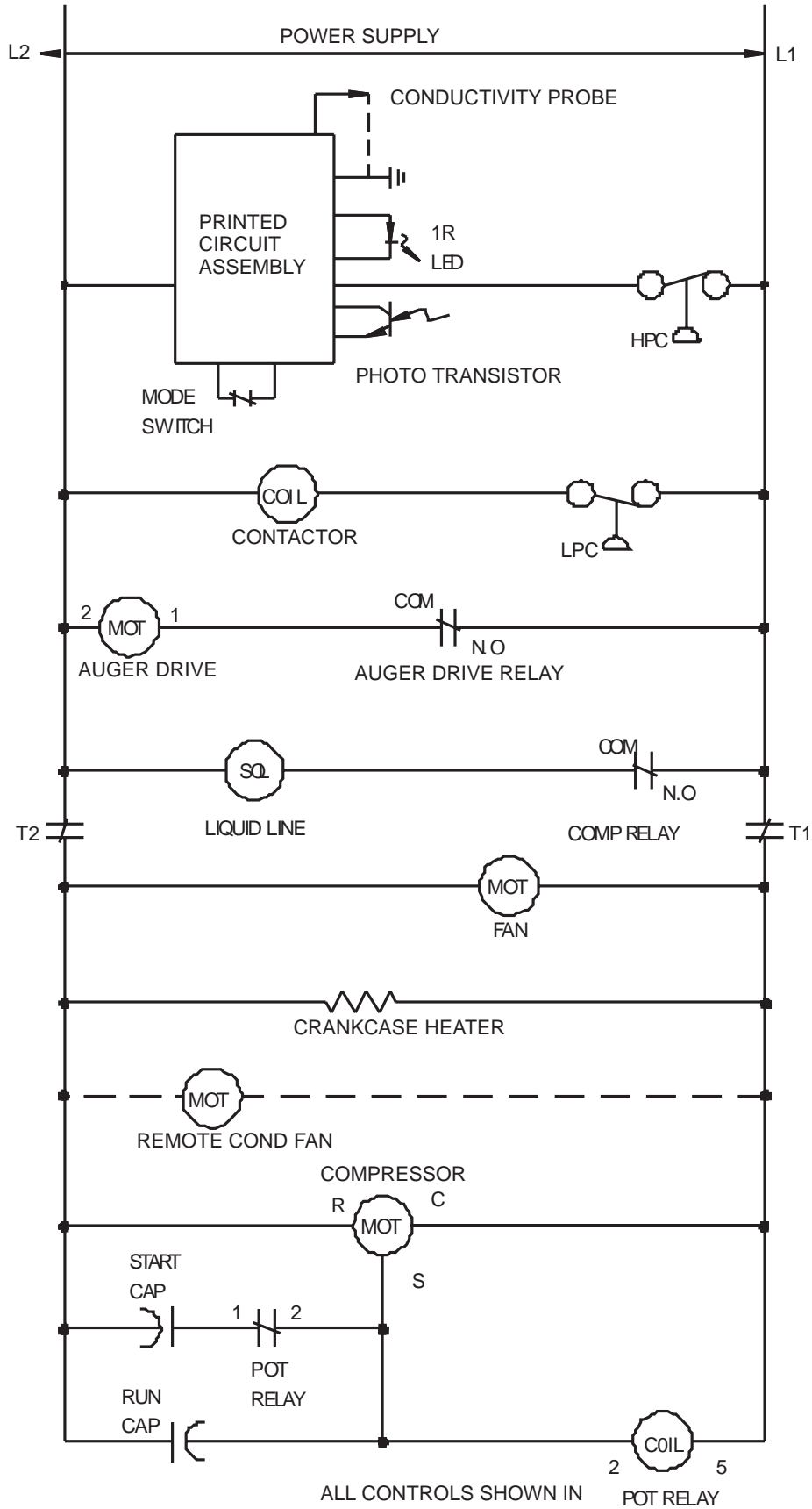
NME654R & FME804R SERVICE PARTS

Component Layout Diagram

17-2704-01



NME654R & FME804R SERVICE PARTS Schematic Diagram



ALL CONTROLS SHOWN IN
ICE MAKING MODE

SERVICE BULLETIN

Subject: NME, FME, NSE, NDE and TDE550/650 Top Bearing Lubrication

Two parts have been made available as helpful aids to use when lubricating the top bearing.

1. **02-3559-01** is a needle that snaps onto a standard grease gun fitting. Use it to insert and deeply pack the proper lubricant into the top bearing.
2. **A36808-001** is a tube of the proper lubricant, also designed to fit a standard grease gun.

Both numbers are in the parts price list.

Needle, shown inserted into bearing

