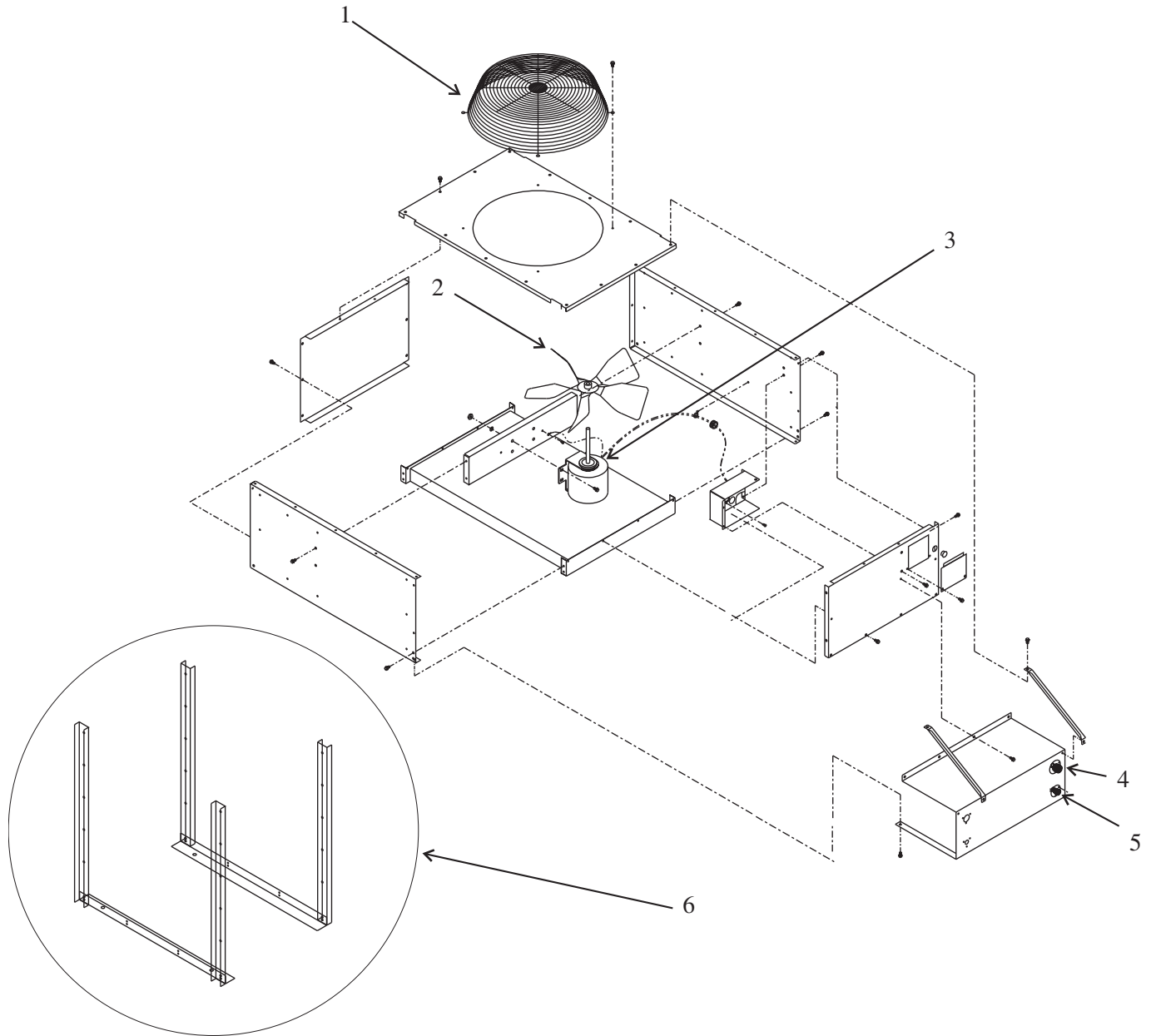


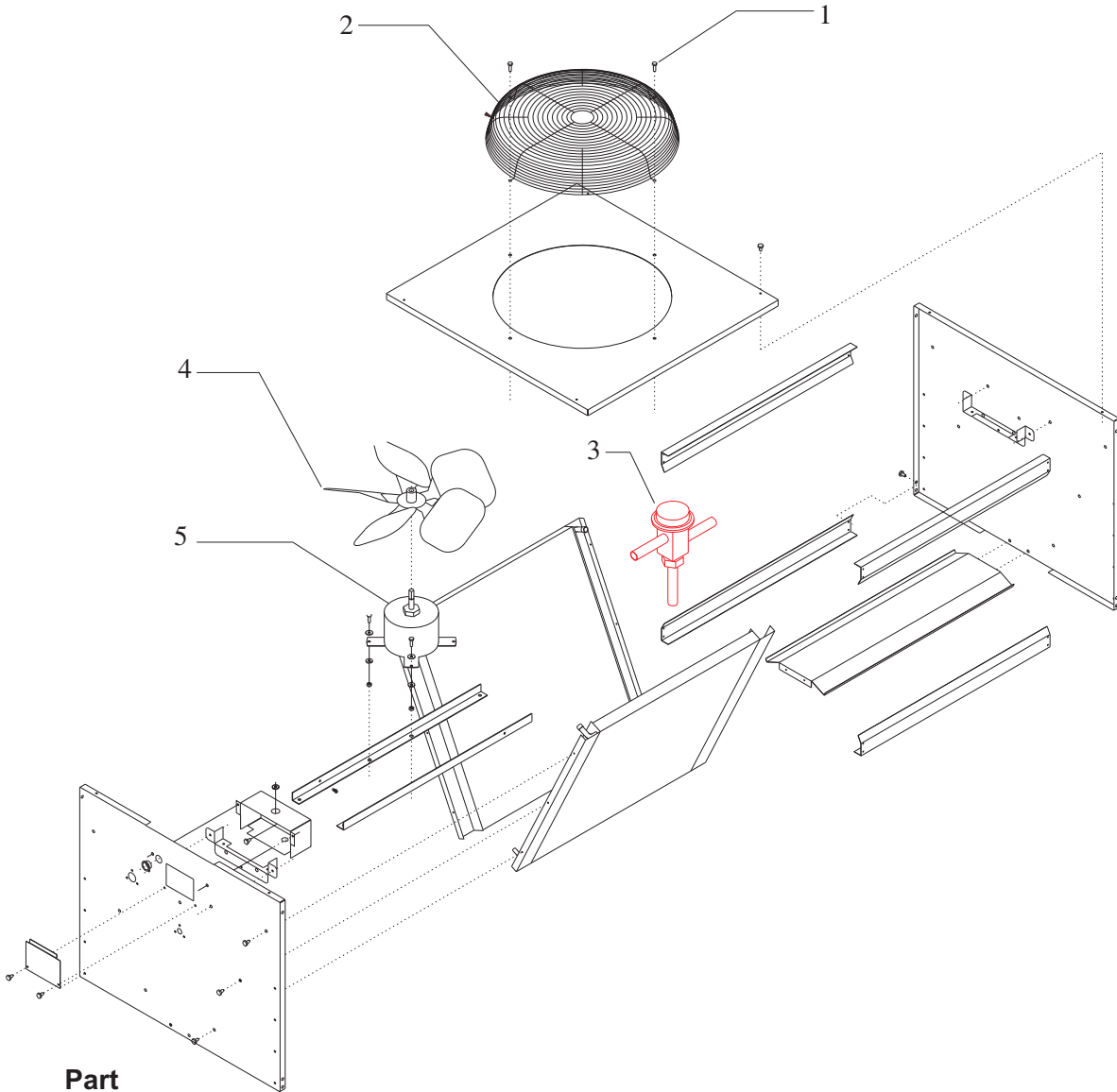
ERC Series Remote Condenser - Horizontal Coil Type



ITEM NUMBER	PART NUMBER	DESCRIPTION
1	02-3575-01	Fan guard
2	18-8800-01	Fan blade
3	18-8796-01	Fan motor ERC101
	18-8796-32	Fan motor ERC151, ERC201, ERC302, ERC401, ERC402
	18-8797-32	Fan motor ERC301
4	16-0850-01	Quick connect, discharge
5	16-0850-03	Quick connect, liquid
6	A36990-001	Leg kit for ERC101, 151, 201, 301, 302
	not available	Leg kit for ERC401, 402

ERC Series Remote Condenser - V Coil Type

Models: ERC111, ERC211, ERC311, ERC411, ERC680, ERC1086



Item Number	Part Number	Description
1	03-1645-03	Screw
2	02-3575-01	Fan guard,
3	16-1025-01	Headmaster, ERC411
	11-0422-22	Headmaster, all others
4	18-8816-01	Fan blade
5	12-2651-01	Fan motor, ERC311, 411, 680, 1086
	12-2651-02	Fan motor, ERC111, 211

Not Shown:

- A37169-001 Leg - fits all
- A37170-001 Leg brace, ERC111, 211, 311, 411, 680, 1086
- 03-1645-01 Screw for legs

ERC111, 211, 311, 411

- 16-0850-01 Quick connect, discharge
- 16-0850-03 Quick connect, liquid

ERC680, 1086, ER2C6810, 1316:

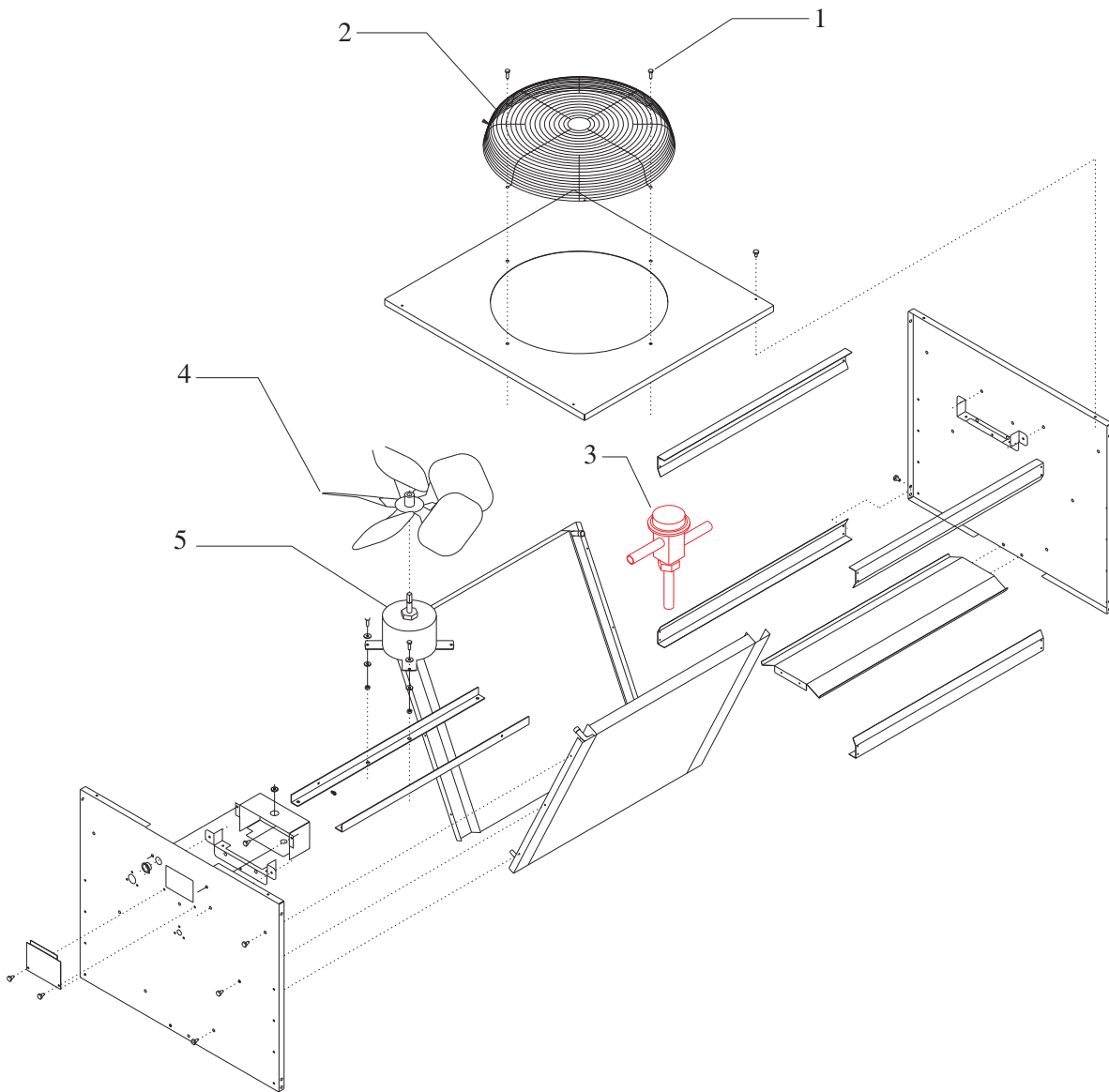
- 16-1057-04 Quick connect, discharge
- 16-1057-03 Quick connect, liquid
- Fan motor run capacitor: 18-8878-01

Line set ends: KTE4 (set of all 4)

Eclipse line set ends: KTE6-EH (set of all 6)

ERC Series Remote Condenser - V Coil Type

Models: ERC611, ERC2086, ER2C6810, ER2C1316



Item Number	Part Number	Description
1	03-1645-01	Screw
2	02-3770-01	Fan guard
3	11-0422-22	Headmaster, ERC611
4	18-8820-01	Fan blade
5	12-2717-01	Fan motor

Not Shown:
 A37169-001 Leg - fits all
 A37296-001 Leg brace,
 03-1645-01 Screw for legs

ERC611:
 16-0850-01 Quick connect, discharge
 16-0850-03 Quick connect, liquid
 ER680, 1086, ER2C6810, 1316:
 16-1057-04 Quick connect, discharge
 16-1057-03 Quick connect, liquid

Fan motor run capacitor: 18-8878-01
 Line set ends: KTE4 (set of all 4)
 Eclipse line set ends: KTE6-EH (set of all 6)

SCOTSMAN

Bulletin Number: PS - 3 - 98

Bulletin Date: Revised Nov. 1998

SERVICE BULLETIN

Subject: ERC301 Fan Motor

Effective with serial number 103236-10B, the ERC301 remote condenser is being manufactured with a one-third H.P. fan motor instead of the prior one-quarter H.P. motor.

The part number for the new motor is: **18-8797-32.**

Although the ERC301 is the only condenser manufactured with the one-third HP fan motor, the 18-8797-32 motor will be used as a common replacement for ERC151, ERC201, ERC302, ERC401, and ERC402 fan motors.

Note: Fan motors shipped and ERC301 condensers built after 11/1/98 have a shorter shaft. The fan blade mounts flush to the end on those motors. A quick check is that the "flats" on the motor shaft are now $1\frac{5}{8}$ " long and they were $2\frac{1}{2}$ " long. When the longer shaft one-third HP motor is used, position the fan blade $\frac{7}{8}$ " in from the end of the motor shaft.