

HD356 Service Parts

This parts list contains the service parts for the HD356 dispenser.

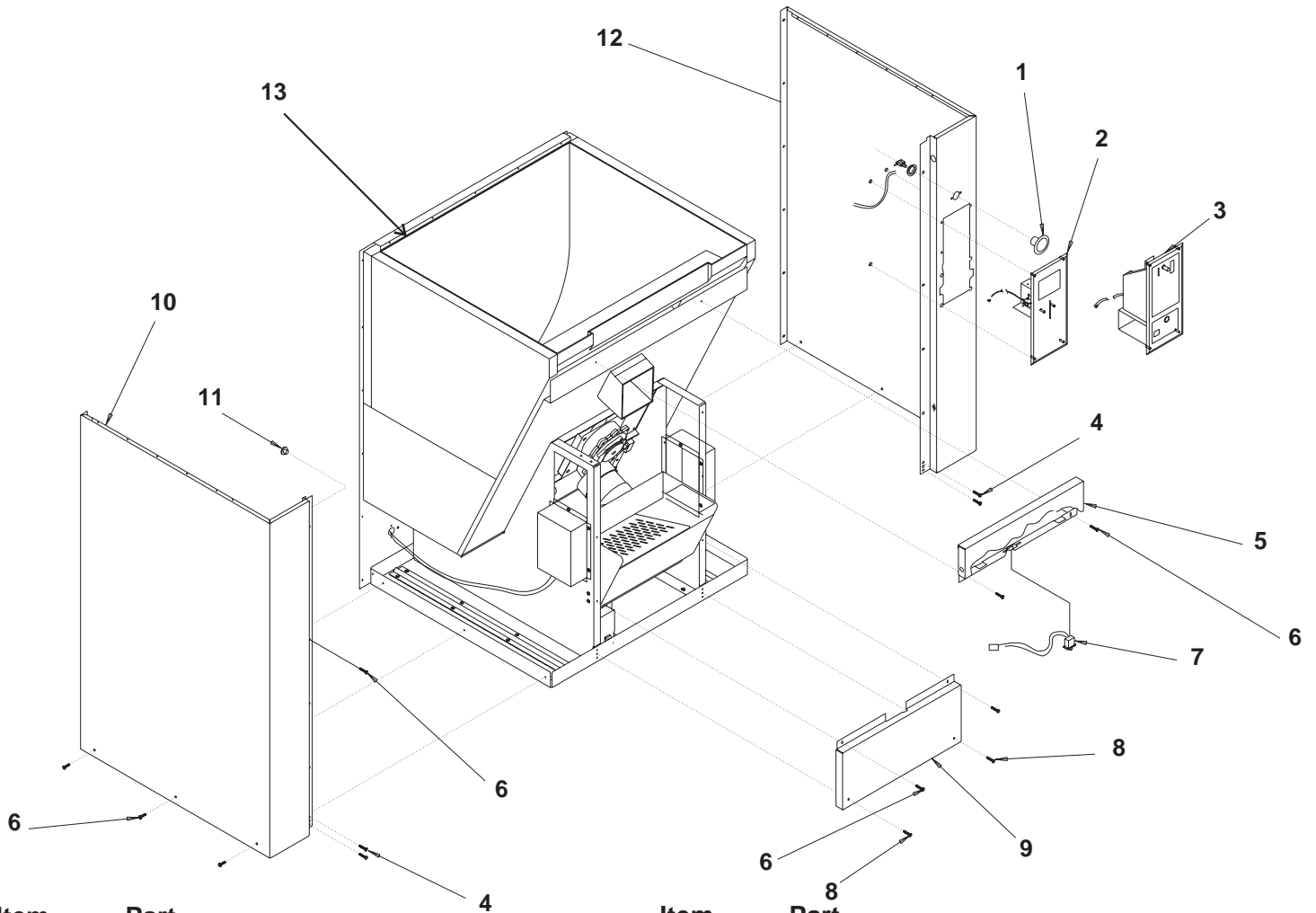
Use caution when ordering parts. Double-check the model number to be certain that the parts ordered are the ones for that machine.

Table Of Contents

Panels	Page 2
Cabinet	Page 3
Lower Cabinet Parts	Page 4
Hopper and Rotor	Page 5
Dispensing Components	Page 6
Gear Drive	Page 7
Control Box	Page 8
Coin and Card Mechanisms	Page 9
Wiring Diagrams	Page 10

HD356 Service Parts

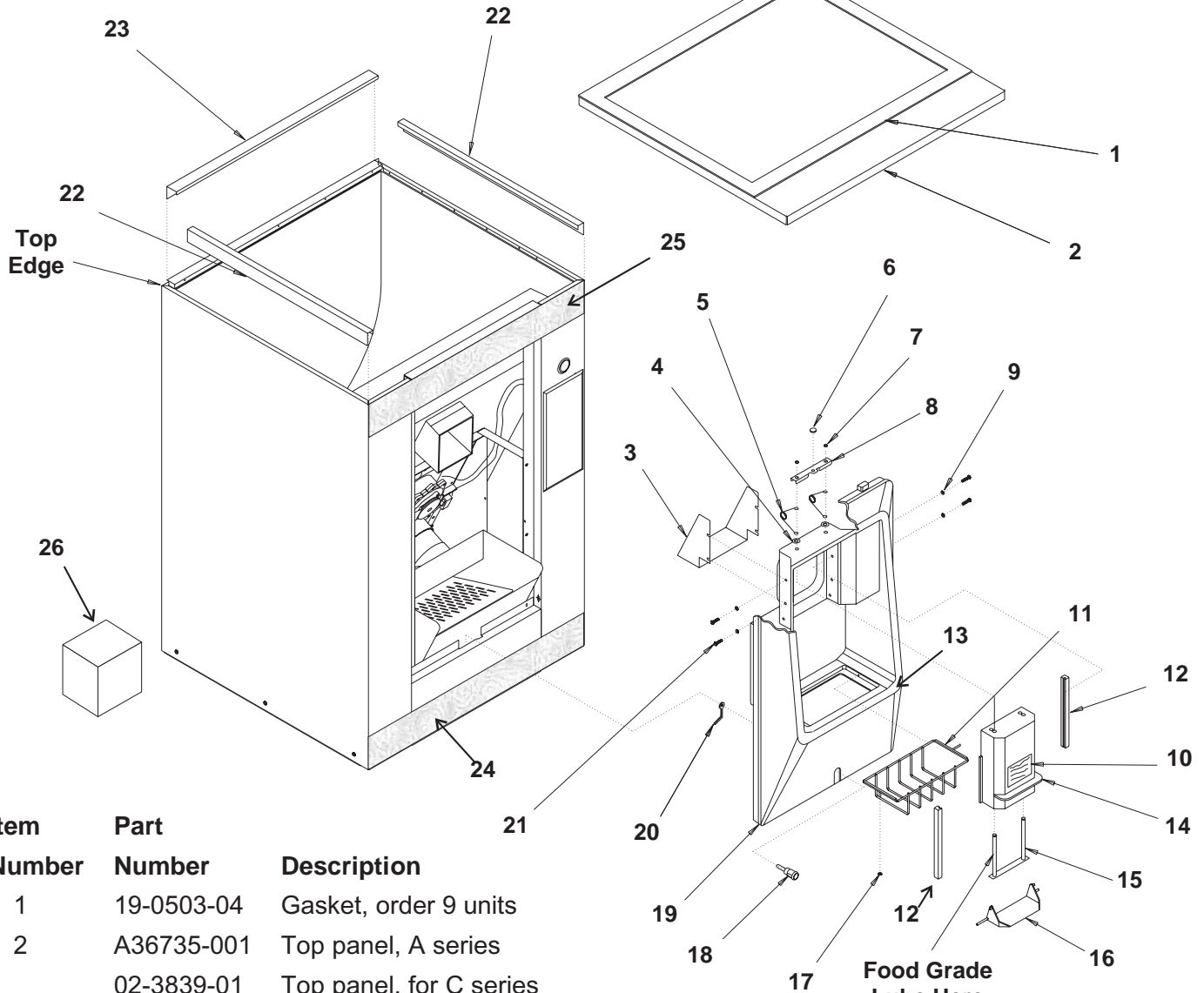
Panels



Item Number	Part Number	Description	Item Number	Part Number	Description
1	02-3773-01	Push button switch	11	12-0629-01	Strain relief
2	KCARD	Card kit	12	A37393-015	Grey right side panel for coin or card kit
3	02-3114-01	Coin mech		A37393-002	SS right side panel for coin or card kit - A series
4	03-1531-01	Screw		A37637-001	SS right side panel for coin or card kit - C series
5	A32625-015	Grey upper front panel		A37393-016	Grey right side panel for button only A series
	A32625-002	SS upper front panel		A37393-003	SS right side panel for button only A series
6	03-1638-03	Screw		A37637-002	SS right side panel for button, C series
7	12-1276-01	Switch	13	A34726-015	Grey back panel
8	03-1419-28	Screw		A34726-015	SS back panel
9	A32620-015	Grey panel, bottom			
	A32620-002	SS panel, bottom			
10	A32622-015	Grey left side panel			
	A32622-002	SS left side panel - A series			
	A37638-001	SS left side panel - C series			

HD356 Service Parts

Cabinet



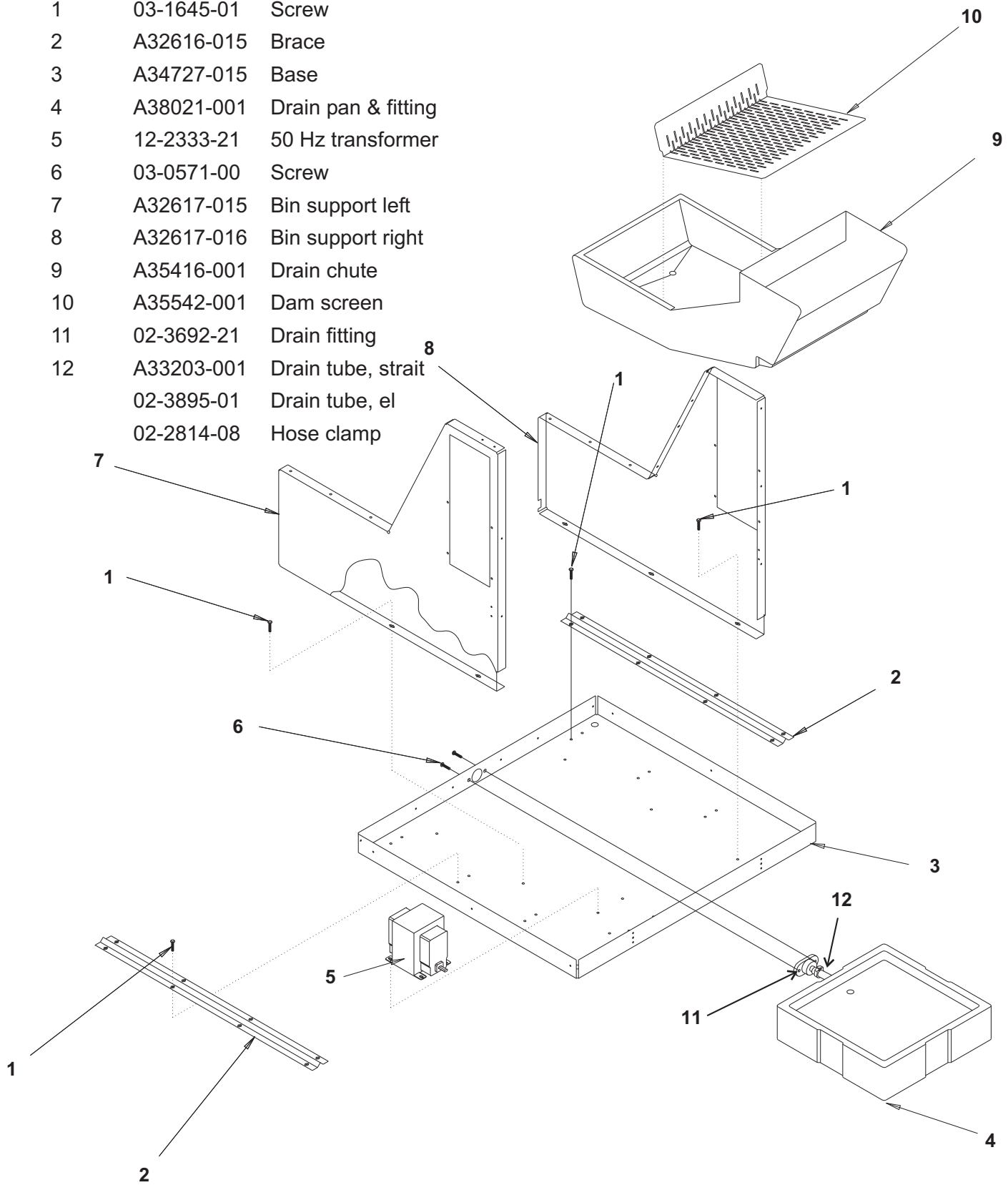
Item Number	Part Number	Description
1	19-0503-04	Gasket, order 9 units
2	A36735-001	Top panel, A series
	02-3839-01	Top panel, for C series
3	A25377-001	Shield
4	03-1407-07	Washer
5	02-2097-01	Spring
6	13-0876-01	Bumper
7	03-1539-03	Retainer
8	A36487-001	Bar
9	03-1407-02	Washer
10	17-2604-01	Button disp. decal
11	02-3018-01	Grill
12	02-3137-01	Track
13	KIB200	Optional ice baffle kit
14	02-1994-20	Dispensing hood & label
15	A23674-001	Return assembly

Item Number	Part Number	Description
16	02-1995-01	Ice chute gate
17	03-1651-01	Nut
18	A35618-001	Lock Kit
	02-3263-01	Key
19	02-2901-04	Sink
20	no number	Latch, part of item 18
21	03-0727-09	Thumb screw
22	A32818-001	Side bracket
23	A32817-001	Rear bracket
24	17-2598-02	Bottom label
25	17-2598-01	Top label
26	KLP7	Leg kit (4 legs)

HD356 Service Parts

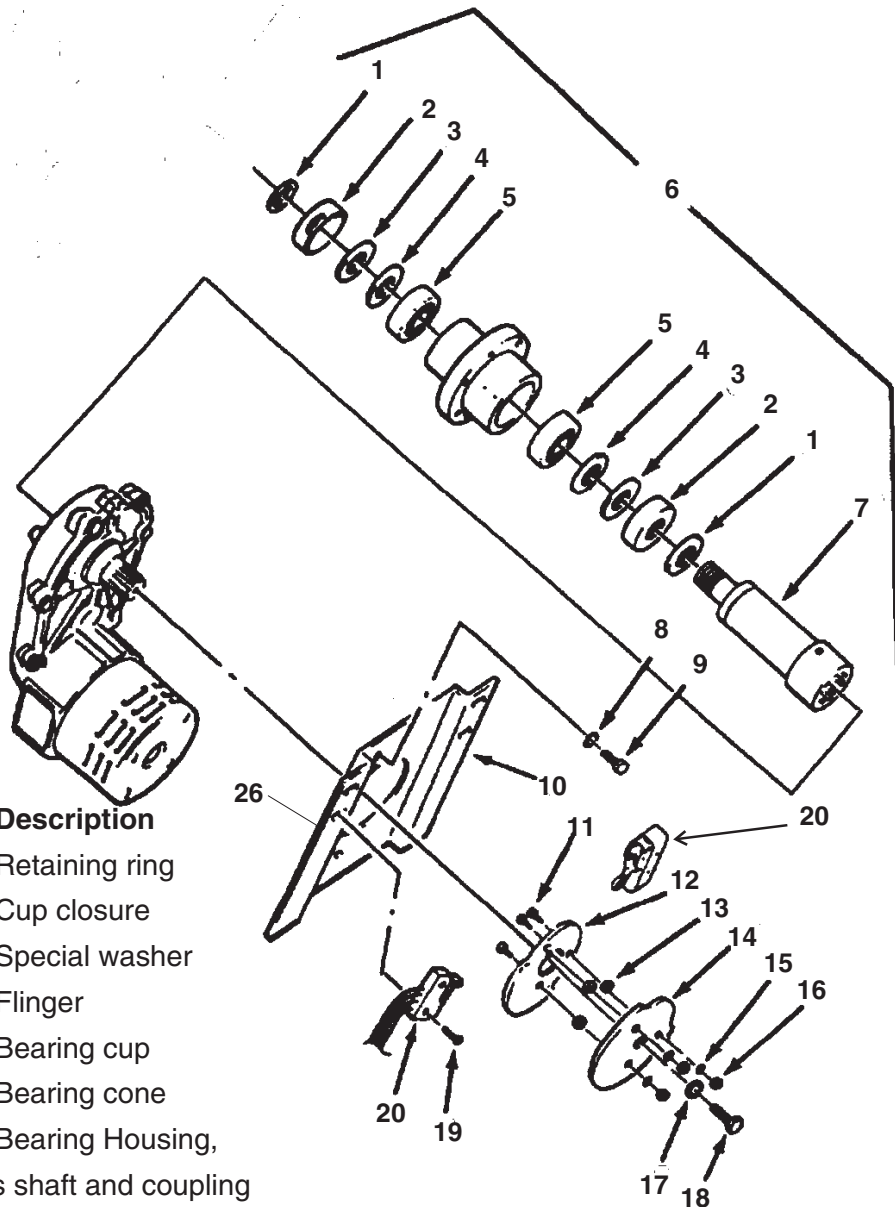
Lower Cabinet Parts

Item Number	Part Number	Description
1	03-1645-01	Screw
2	A32616-015	Brace
3	A34727-015	Base
4	A38021-001	Drain pan & fitting
5	12-2333-21	50 Hz transformer
6	03-0571-00	Screw
7	A32617-015	Bin support left
8	A32617-016	Bin support right
9	A35416-001	Drain chute
10	A35542-001	Dam screen
11	02-3692-21	Drain fitting
12	A33203-001	Drain tube, strait
	02-3895-01	Drain tube, el
	02-2814-08	Hose clamp



HD356 Service Parts

Dispensing Components



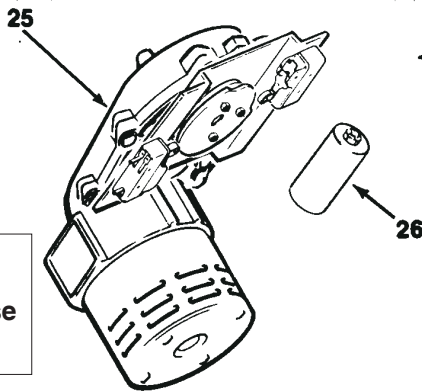
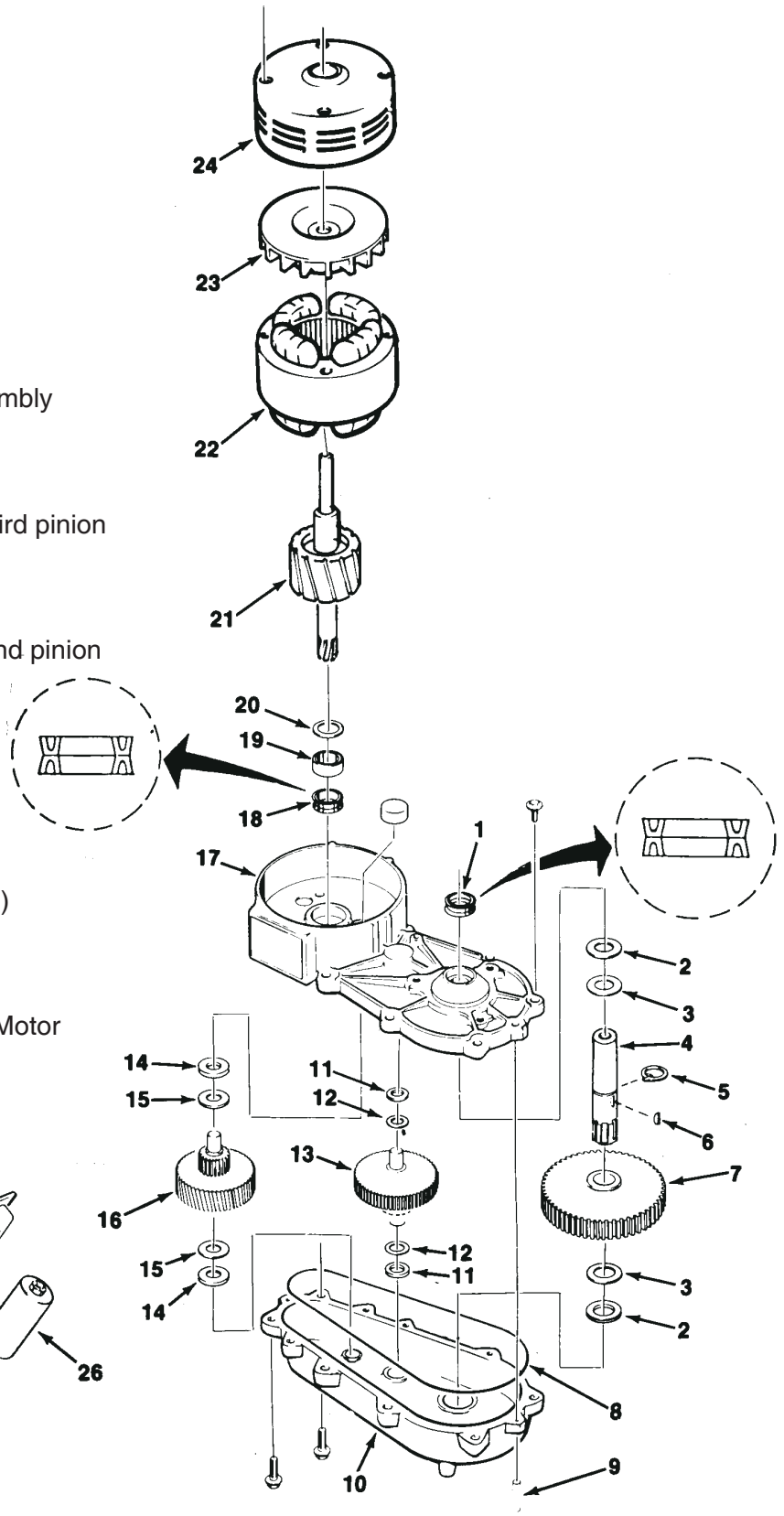
Item Number	Part Number	Description	
1	03-1516-01	Retaining ring	
2	02-2026-01	Cup closure	
3	03-1408-27	Special washer	
4	02-2027-01	Flinger	
5	02-2186-01	Bearing cup	
	02-2186-02	Bearing cone	
6	02-3754-20	Bearing Housing, includes shaft and coupling	
7	02-3757-20	Shaft and coupling kit	
8	03-1410-04	Lockwasher	
9	03-1405-15	Screw	
10	A29732-001	Bracket, double cam	
11	03-1403-18	Screw	
12*	A37852-001	Cam #2, bottom - by case	
13	A29733-001	Spacer	
14*	A37851-001	Cam (top) all	
15	03-1410-07	Lockwasher	
16	03-1406-03	Nut	
17	03-1410-03	Lockwasher	
	18	03-1405-03	Screw
	19	03-1403-09	Screw
	20	12-2365-01	Cam switch
	21	03-0886-00	Speed nut

*Replace items 12 and 14 as a set in HD356s built prior to date code 05R.

HD356 Service Parts

Gear Drive

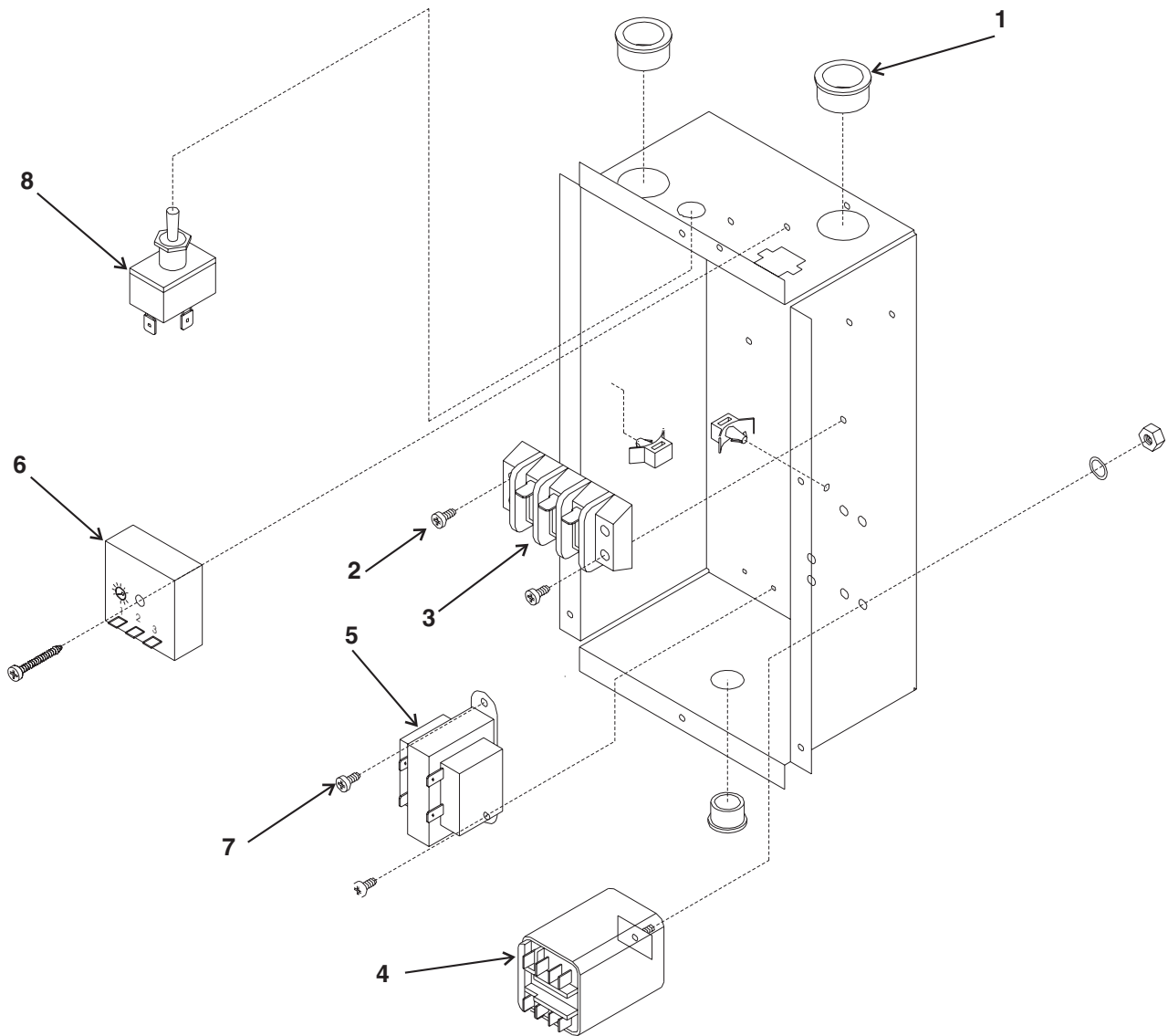
Item Number	Part Number	Description
1	02-1503-00	Grease Seal (2)
2	03-1408-21	Washer
3	03-1408-04	Washer
4	02-2446-01	Output shaft
5	03-1515-03	Retaining ring
6	03-1602-01	Woodruff key
7	02-2444-01	Output gear
8	02-1505-00	O-Ring
9	03-0774-11	Roll pin
10	A28167-001	Gear case assembly
11	03-1408-39	Washer
12	03-1408-40	Washer shim
13	02-2441-01	Second gear, third pinion
14	03-1408-01	Washer
15	03-1408-38	Washer
16	02-2448-01	First gear, second pinion
17	A28189-001	Gear box cover
18	02-1504-00	Grease seal
19	02-1501-00	Bearing
20	03-1408-08	Washer
21	A28160-002	Rotor assembly
22	12-2036-01	Stator (115/60/1)
23	A28168-001	Cooling fan
24	A38487-020	Motor housing
25	A28155-021	Complete gear Motor without cams or bracket.
26	18-3701-01	Capacitor



Note: 16 oz. can of grease is P/N 19-0472-20. Gear case capacity is 12 oz.

HD356 Service Parts

Control Box

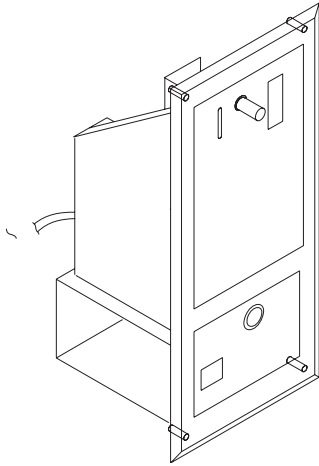


Item Number	Part Number	Description
1	12-1213-10	Snap bushing
2	03-1531-08	Screw
3	12-2114-01	Terminal strip
4	12-2090-02	Relay
5	12-2836-01	Transformer 115 to 24
6	12-2631-01	Recycling timer
8	03-1404-14	Screw
9	12-0426-01	Toggle switch
10	A35398-015	Control box cover (not shown)

HD356 Service Parts

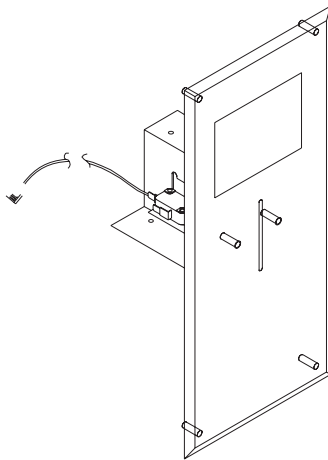
Coin and Card Mechanisms

02-3114-01 - Complete coin mech



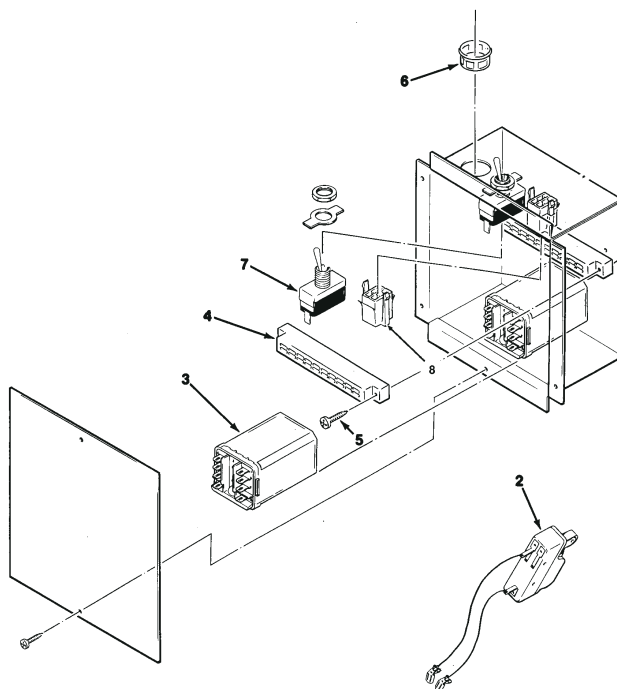
Item Number	Part Number	Description
1	02-3114-20	Lock kit (includes key & lock)
2	02-3114-21	Coin return kit (solenoid)
3	02-3114-22	Cash box
4	02-3114-23	Coin switch
5	17-2614-01	Label

KCARD



Item Number	Part Number	Description
1	A29708-003	Cover plate, SS
	A29708-015	Cover plate, Grey
2	12-2450-01	Microswitch
3	17-2144-01	Label

Relay Box for Coin Mechanism Models

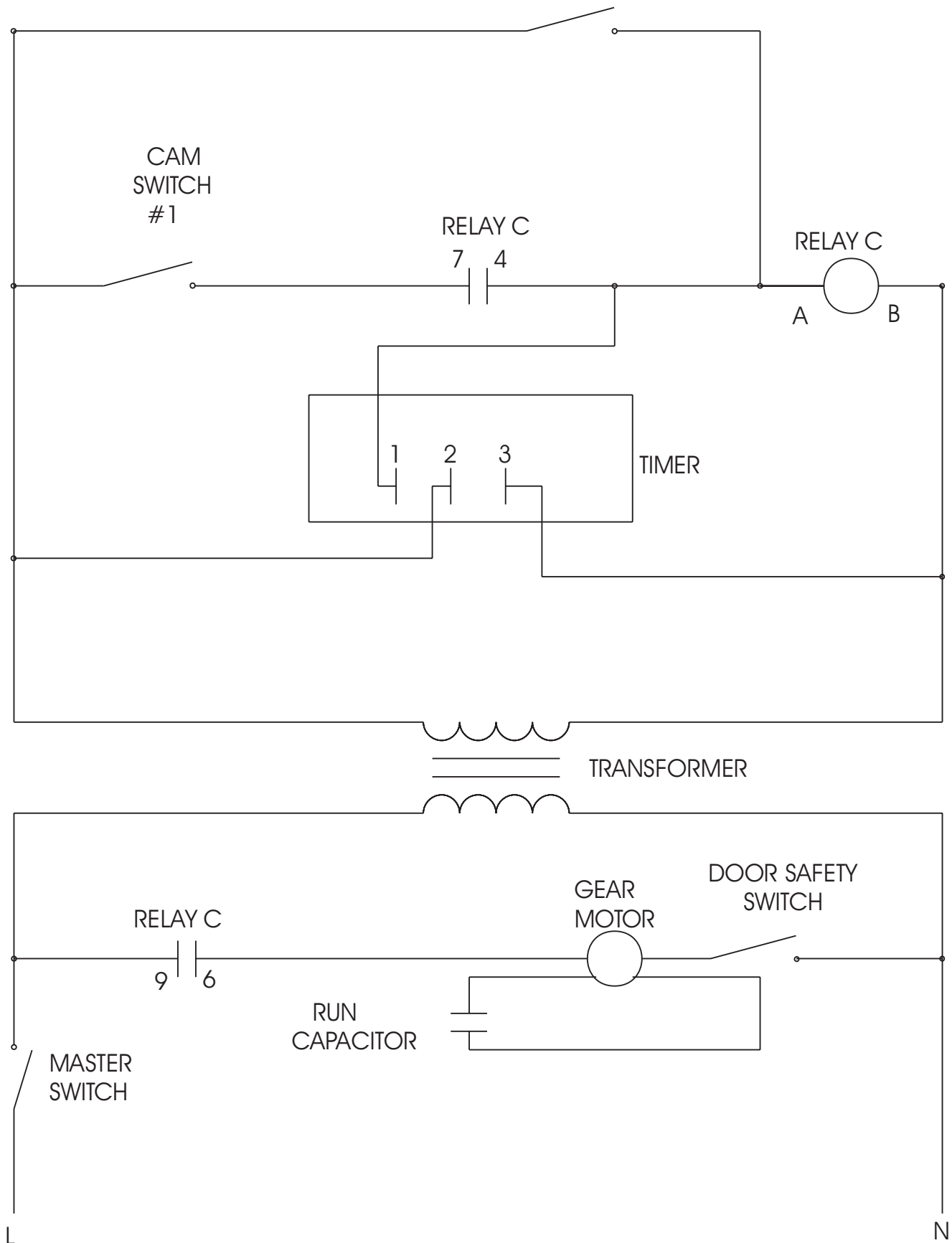


Item Number	Part Number	Description
1	No number	Relay box
2	12-0876-00	Cam switch
3	12-2090-02	Relay
4	12-2175-01	Terminal block
5	03-1403-08	Screw
6	12-1213-10	Bushing
7	12-0426-01	Switch
8	12-2187-02	Plug & harness

HD356 Service Parts

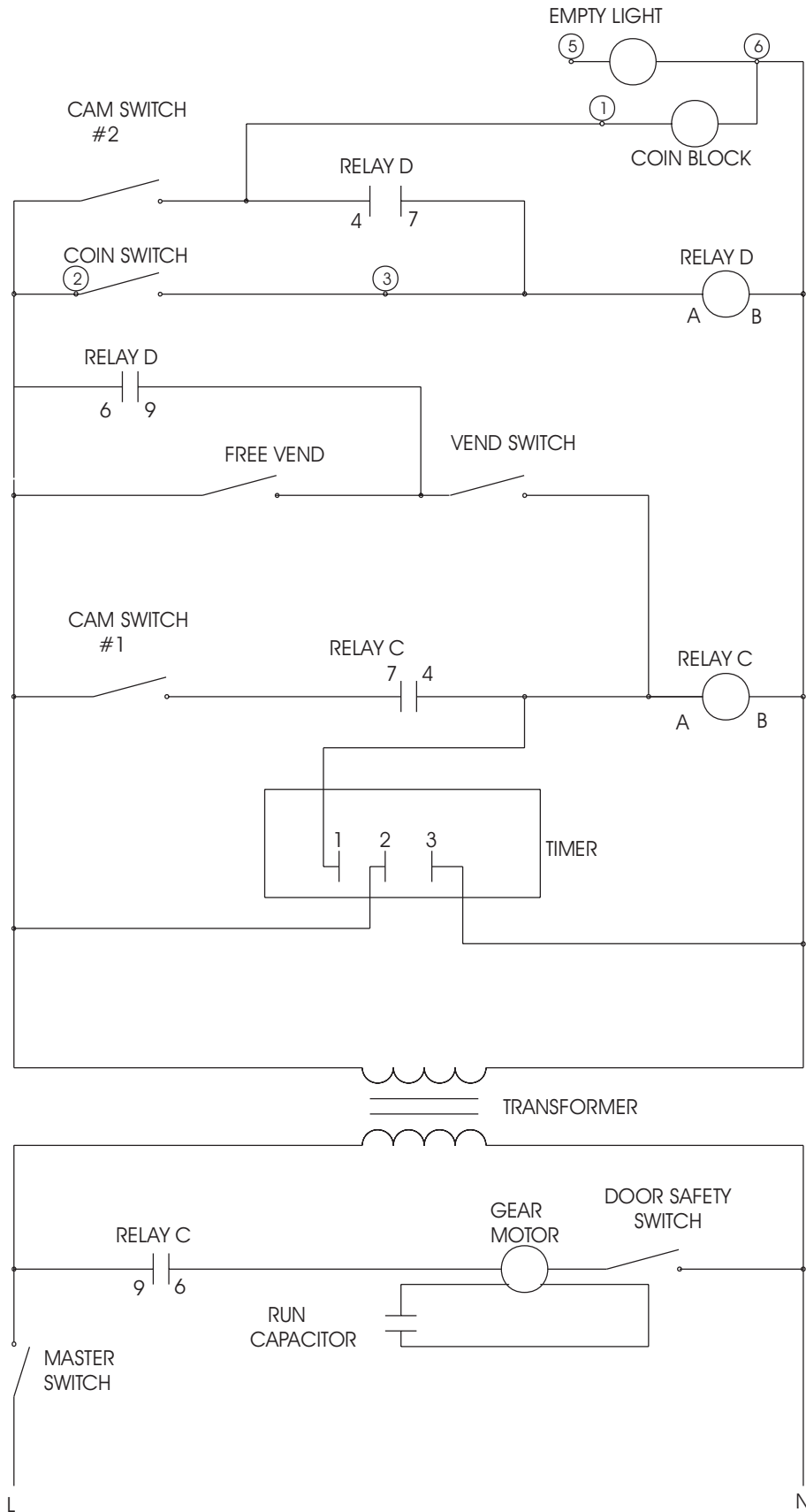
Schematic Diagram - Button Dispensing

VEND SWITCH



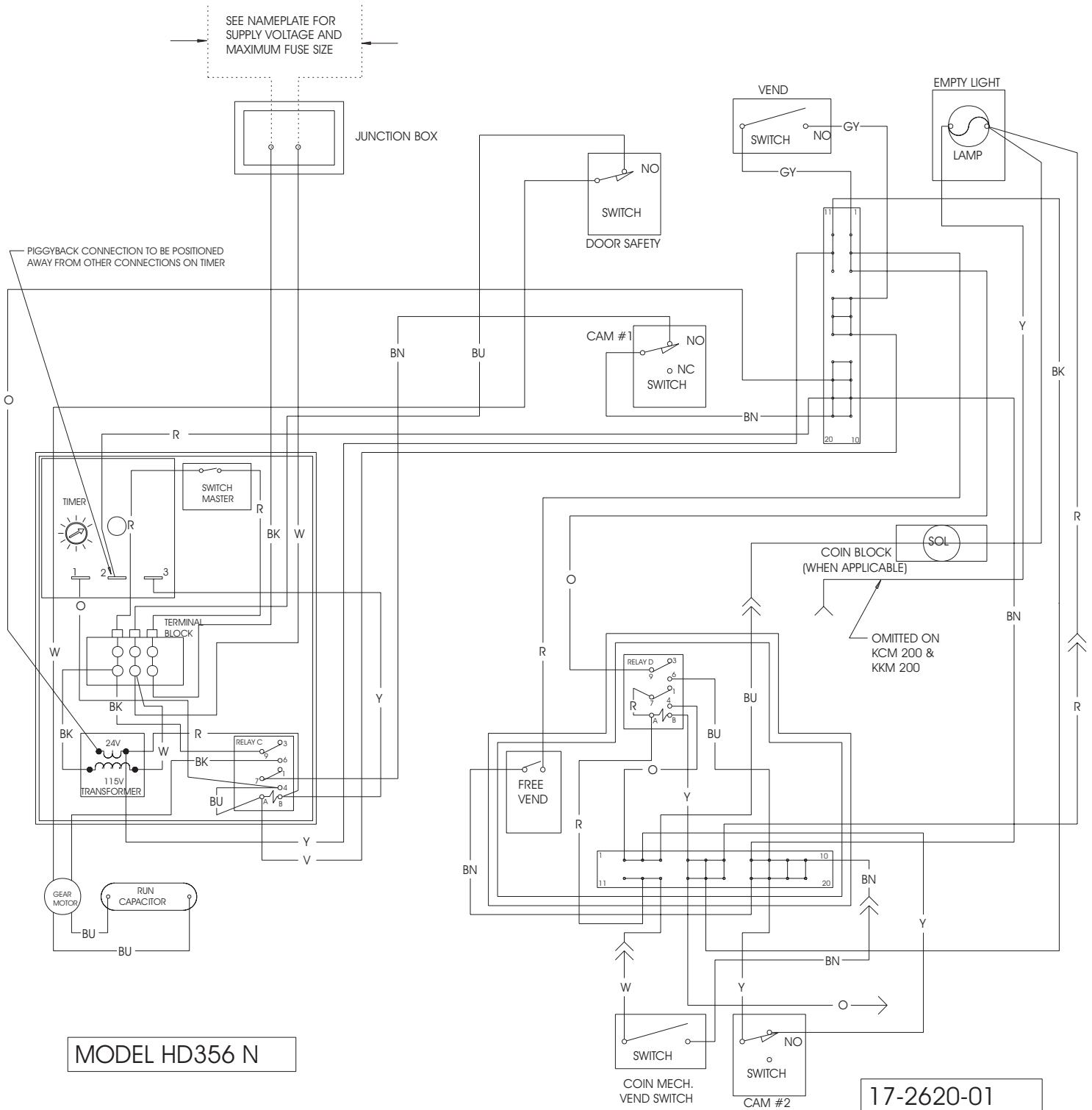
HD356 Service Parts

Schematic Diagram - Coin Vending



HD356 Service Parts

Wiring Diagram - Coin Vending

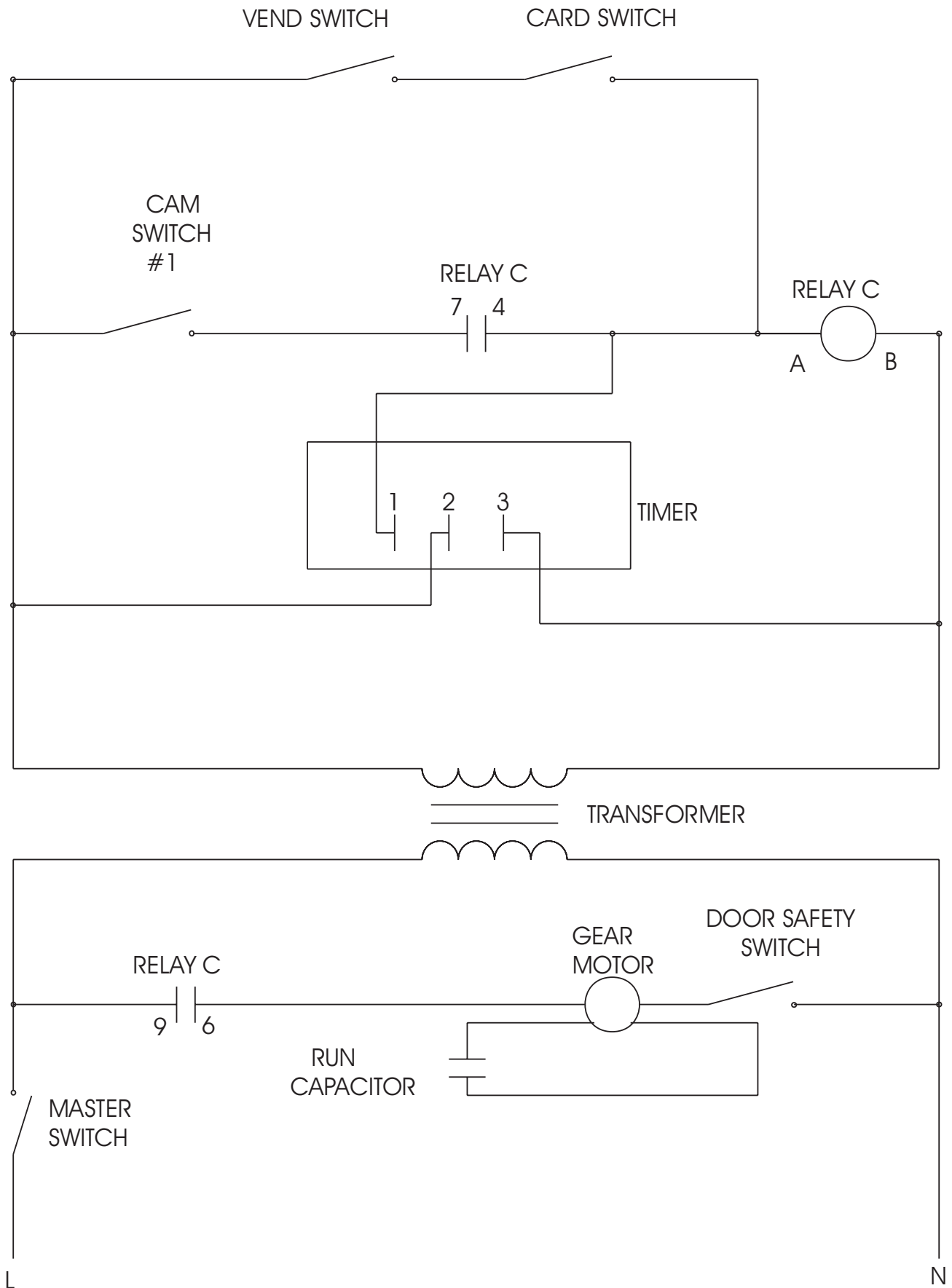


USE COPPER CONDUCTORS ONLY

THIS UNIT MUST BE GROUNDING

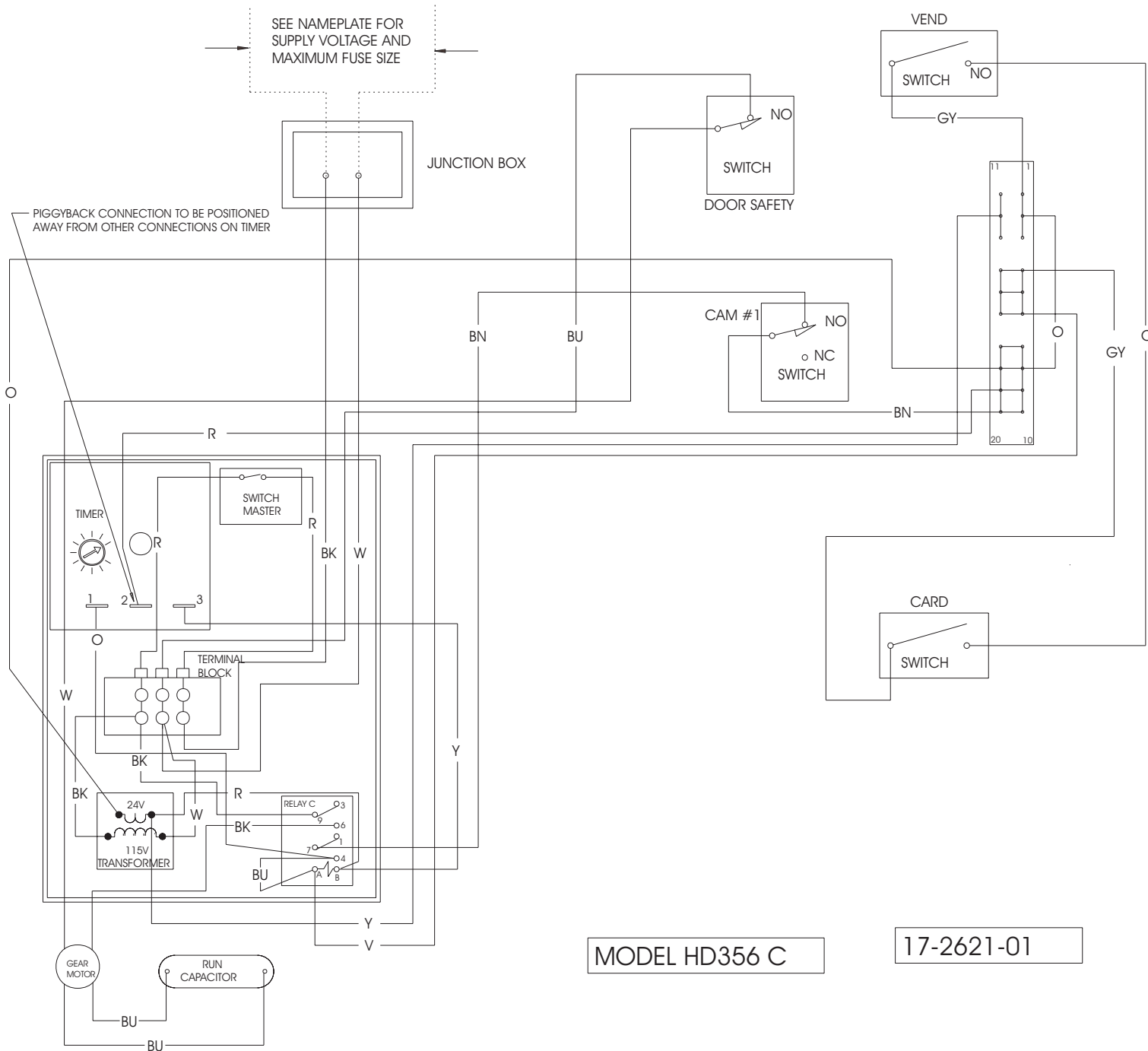
HD356 Service Parts

Schematic Diagram - Card Vending



HD356 Service Parts

Wiring Diagram - Card Vending

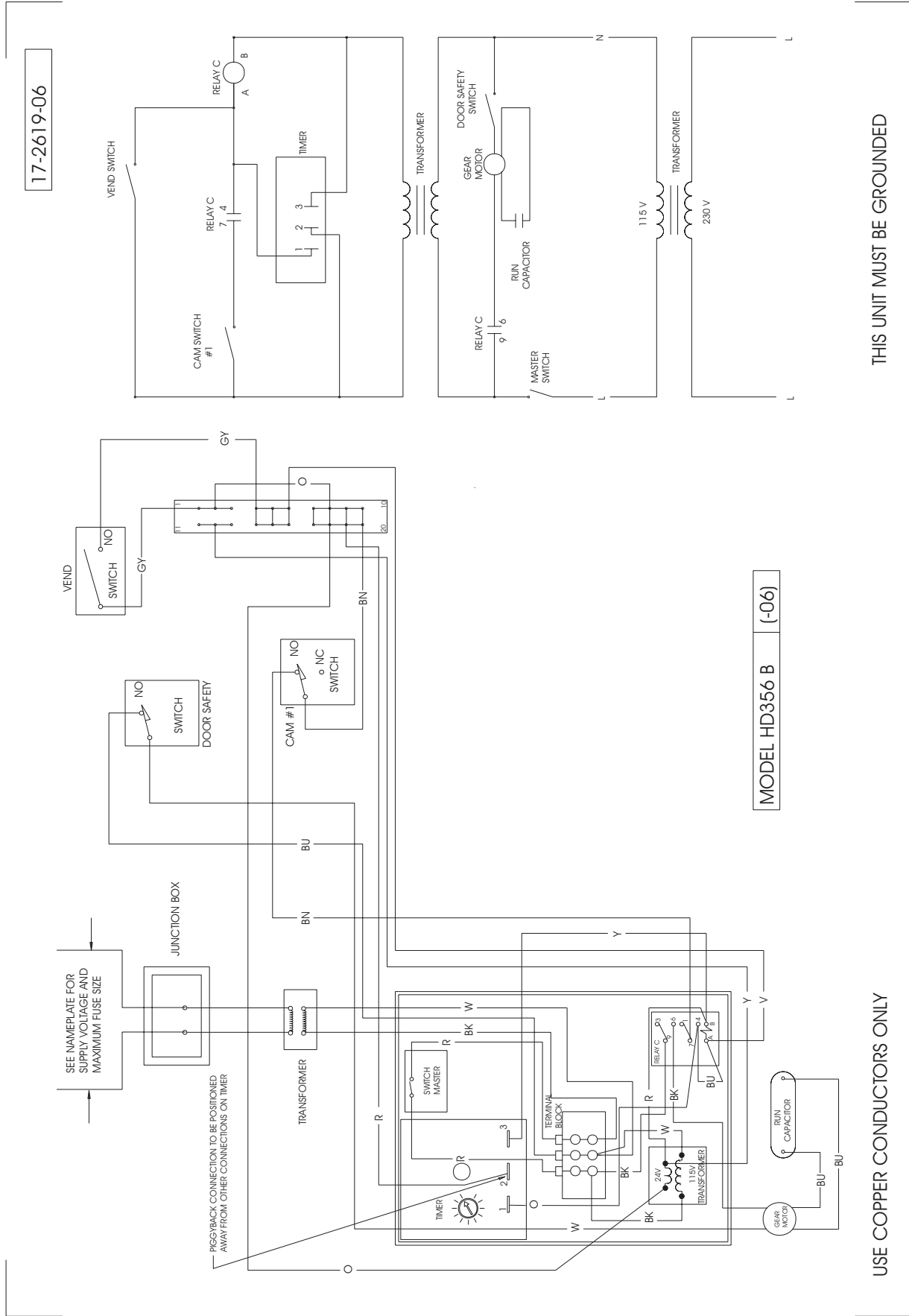


THIS UNIT MUST BE GROUNDED

USE COPPER CONDUCTORS ONLY

HD356 Service Parts

50 Hz Wiring and Schematic Diagram



17-2619-06

MODEL HD356 B (-06)

THIS UNIT MUST BE GROUNDED

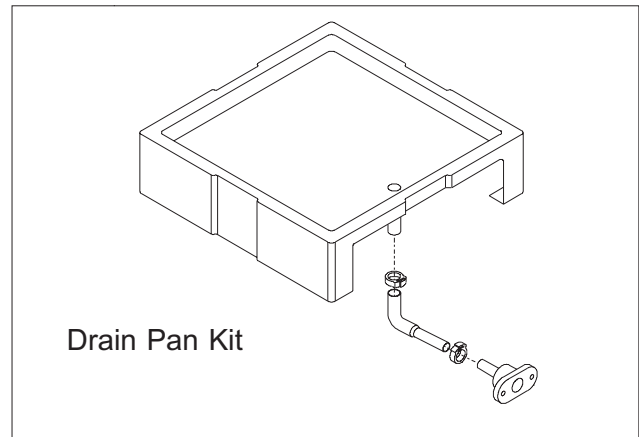
USE COPPER CONDUCTORS ONLY

SERVICE BULLETIN

Subject: HD356 Drain Pan, Coin Op and Cam changes

The size of the drain line from the drain pan to the cabinet drain of the HD356 has been enlarged for improved draining.

This change required a change to the drain pan. The drain pan kit part number is **A38021-001**, replacing A34694-001. The kit includes a pan, new tubing and a new adapter. All HD356s built after date code -02R have this change.



The coin mechanism model of the HD356, HD356NS-1C, has been changed. An internal baffle has been added to restrict the flow of ice out of the hopper when it is filled to capacity with ice. The baffle's part number is A37933-001, and its two brackets are A37898-001 and A37898-002.

The change began in May 2002.

Another change to the HD356 is to the cams. This change began with sn 425102-01R.

All HD356s now use the same cams. The new cams have three stop positions, so the bin rotor will only turn 1/3 revolution per vend cycle.

CAMS	HD356 old	HD356 new
Top - button	A37308-001	A37851-001
Top - coin	A34705-001	A37851-001
Bottom (closest to the gear case)	A29734-001	A37852-001

