

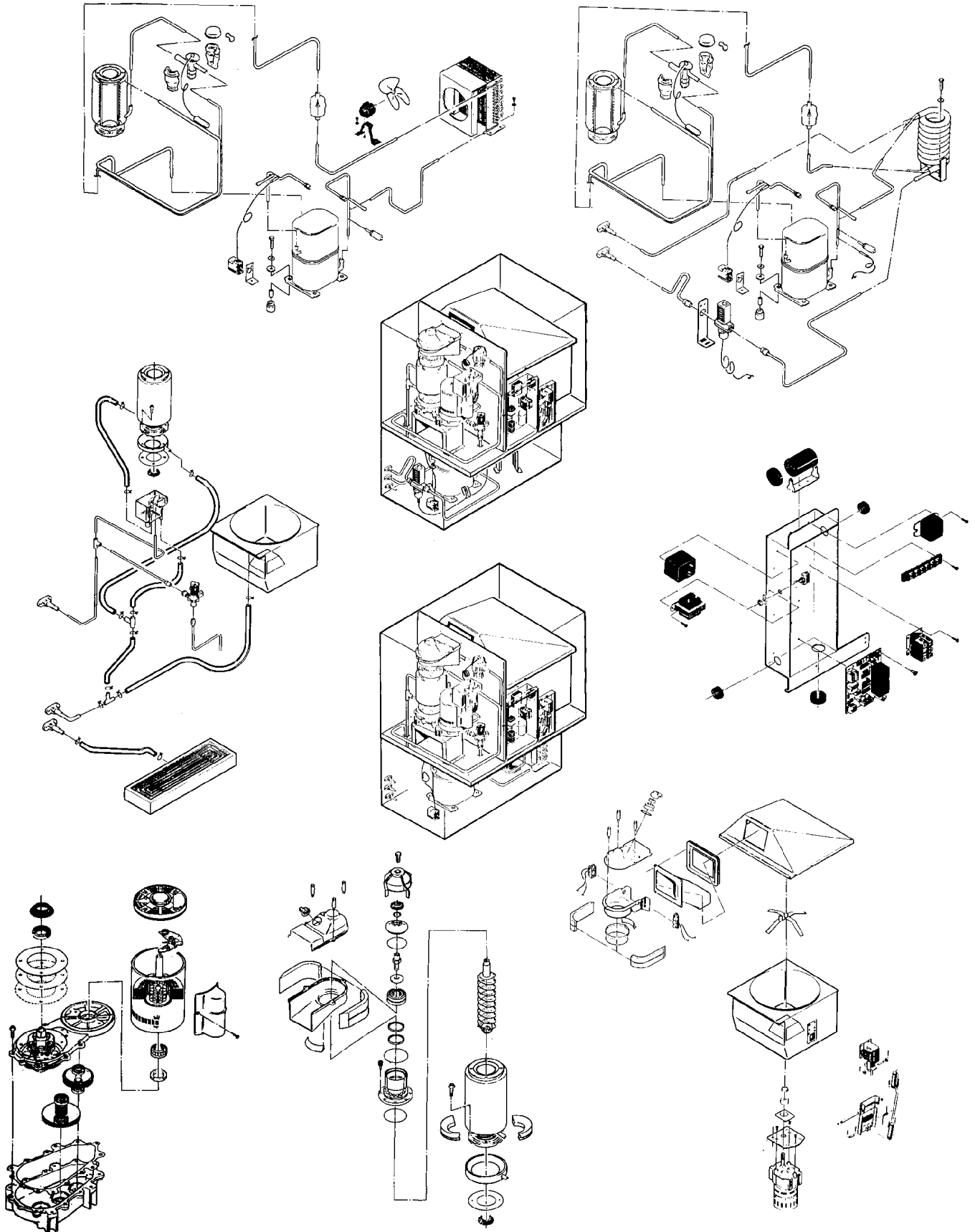
ND750 SERVICE PARTS

This parts list contains the service parts and wiring diagrams for this model. Check the model number of the machine needing parts to be sure that this is the correct parts list.

TABLE OF CONTENTS

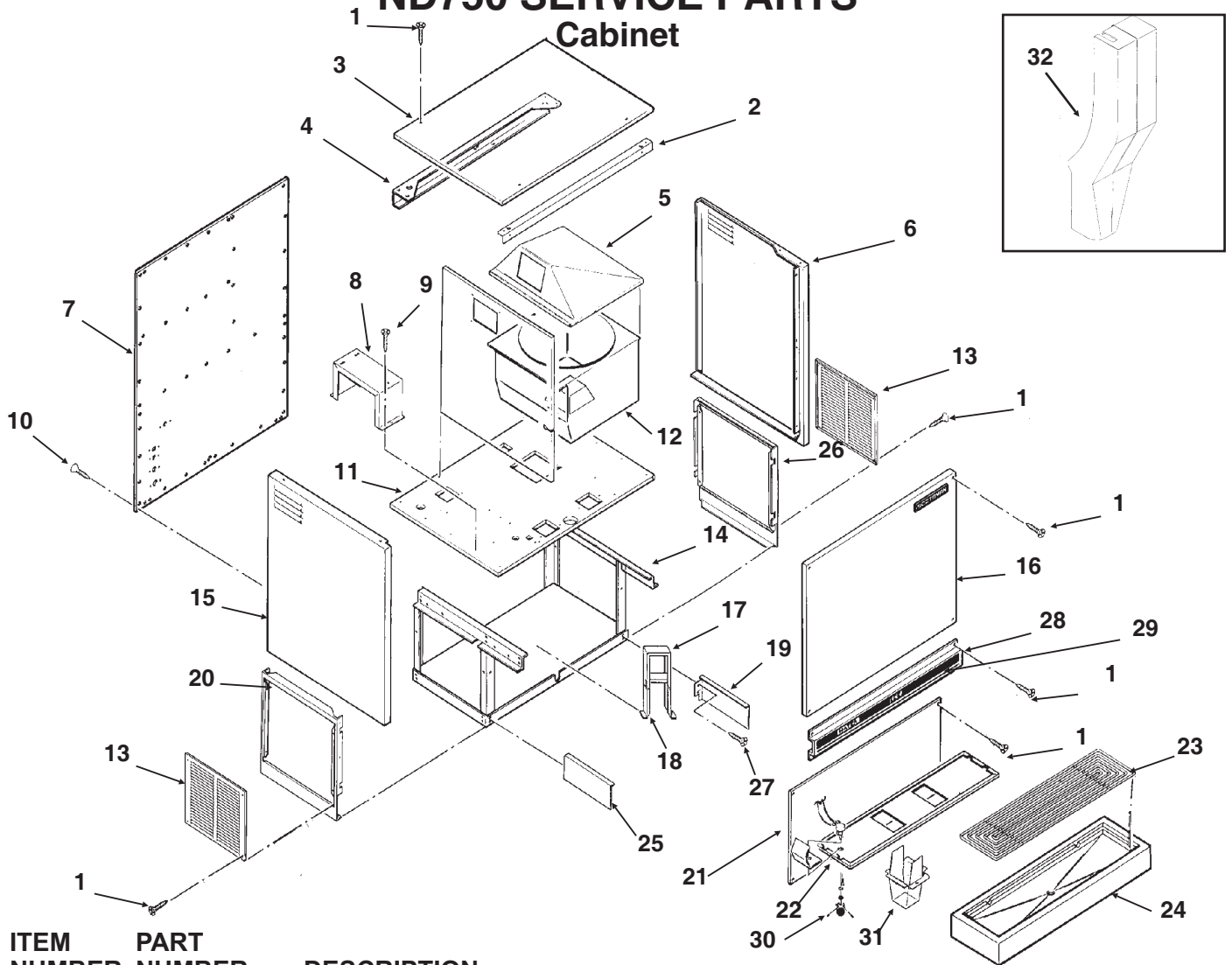
Cabinet Assembly	Page 2
Air Cooled Refrigeration	Page 3
Water Cooled Refrigeration	Page 4
Water System	Page 5
Evaporator	Page 6
Gearmotor	Page 7
Ice Chute and Dispensing	Page 8
Control Box	Page 9
Dispense System	Page 10
Wiring Diagram	Page 11

ND750 SERVICE PARTS



ND750 SERVICE PARTS

Cabinet

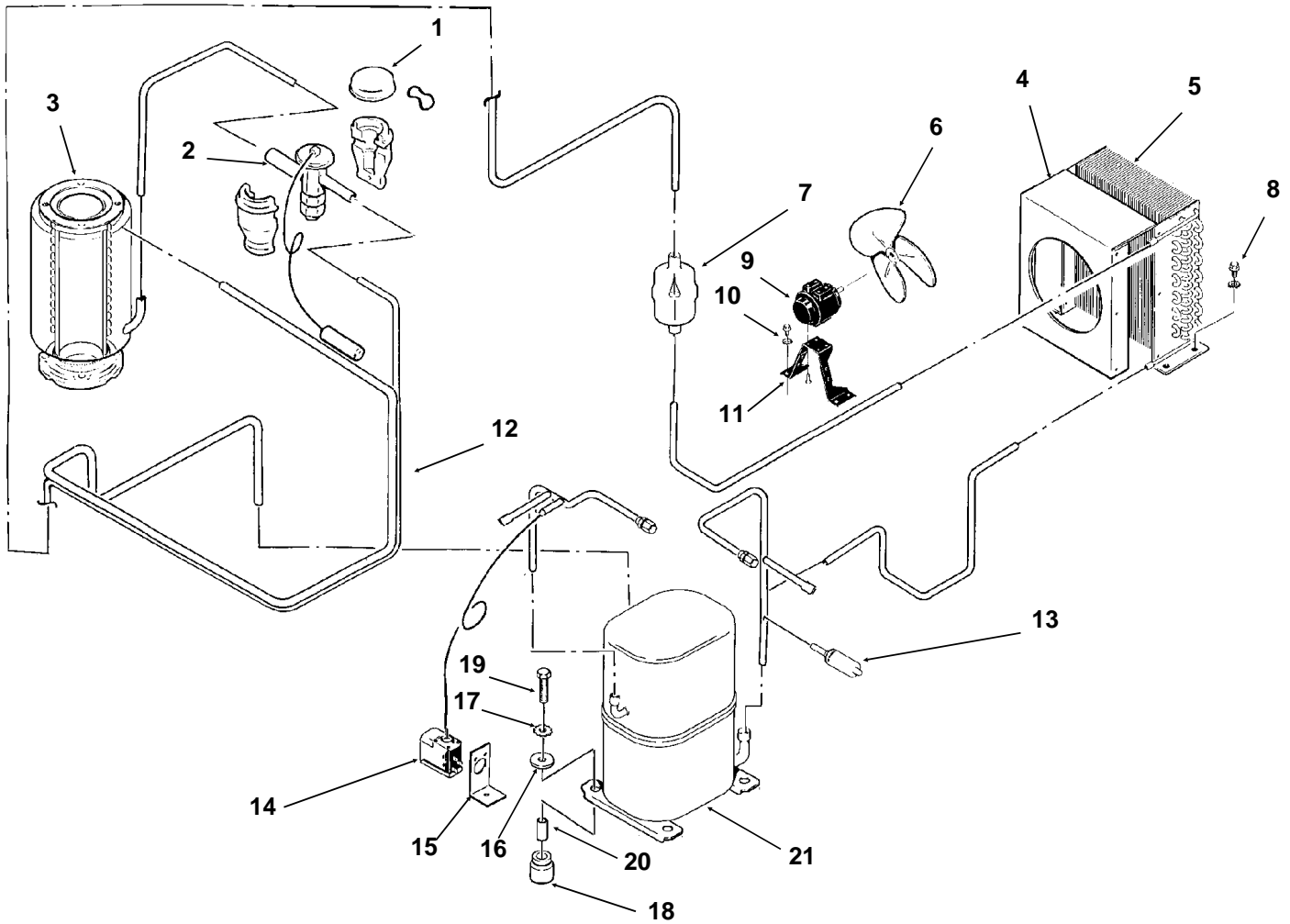


ITEM NUMBER	PART NUMBER	DESCRIPTION
1	03-1419-22	S.S. Screw
2	A34563-001	Upper Brace
3	A33282-001	Top panel, painted
	A33282-002	Top panel, stainless
4	A33270-001	Bin support brace
5	A34957-001	Ice bin cover
6	A34414-001	Rt. side up panel, paint
	A34414-002	Rt. side up panel, s s
7	A33276-001	Back panel, painted
	A33276-002	Back panel, stainless
8	A33287-001	Evap. support bracket
9	03-0571-01	Screw
10	03-1531-01	Screw
11	A33285-001	Upper Plate
12	A34016-001	Ice Storage Bin
13	A33281-001	Service Panel, painted
	A33281-002	Service Panel, stainless
14	A33280-001	Lower frame assy
15	A33283-001	Lt. side pnl, upper paint
	A33283-002	Lt. side pnl, upper s s
16	A34441-001	Upper front panel, s s
	A33275-001	Upper front panel, paint

ITEM NUMBER	PART NUMBER	DESCRIPTION
17	A34508-001	Agit mtr support, upper
18	A34509-001	Agit mtr support, lower
19	A34401-002	Right sink support
20	A33284-001	Lwrr lt. side panel, paint
	A33284-002	Lwr lt. side panel, s s
21	A34477-001	Splash panel
22	A34443-002	Ice chute panel, s. s.
23	02-2582-01	Grill
24	A31047-032	Sink
25	A34401-001	Sink support left
26	A33284-003	Rt. side lwr panel, paint
	A33284-004	Rt. side lwr panel, s s
27	03-1403-47	Screw 1/4 20 x 1/2"
28	A33277-001	Spout cover s s
29	15-0747-01	Decal
30	A24258-002	Potentiometer
31	A33245-001	Ice chute
	After serial number 438860-11K	
32	A35321-001	Ice chute
	A35321-002	Ice chute (extra 1" longer)

ND750 SERVICE PARTS

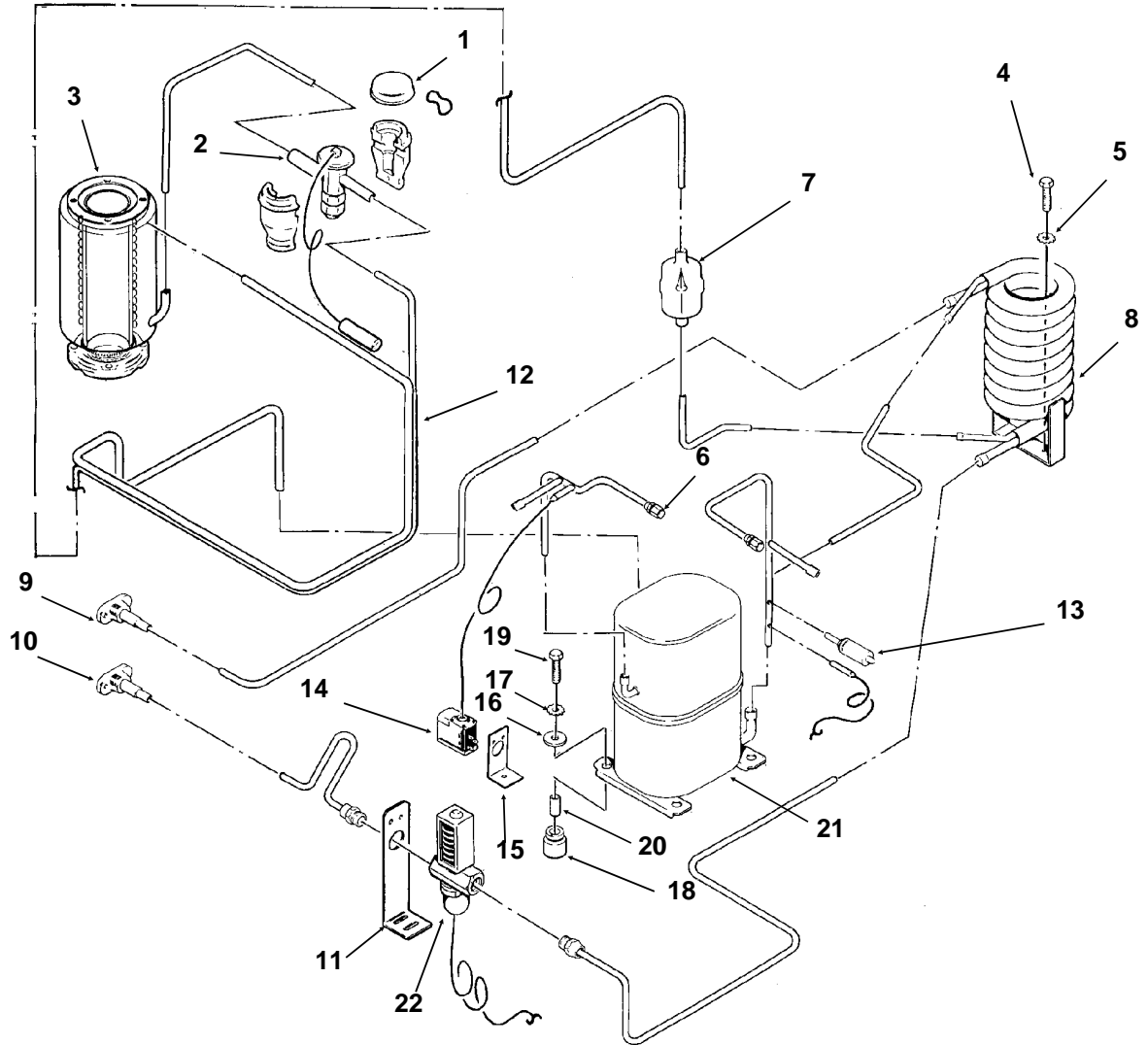
Air Cooled Refrigeration



ITEM NUMBER	PART NUMBER	DESCRIPTION	ITEM NUMBER	PART NUMBER	DESCRIPTION
1	A32961-020	Insulation kit, 3 piece	12	A34587-001	Suction line
2	16-0780-21	Thermo expansion valve	13	11-0446-22	Hi press. cut out
3	A33194-020	Evaporator	14	11-0447-20	Low press. cut out
4	A34618-001	Fan shroud	15	A28887-001	Bracket
	A34617-001	Fan shroud cover	16	03-1407-07	Washer
5	18-7800-01	Condenser	17	03-1410-04	Lockwasher
6	18-0625-00	Fan blade	18	18-2200-28	Grommet
7	02-3319-02	Dryer	19	03-1406-10	Hex nut
8	03-0571-01	Screw	20	18-2200-27	Metal sleeve
9	18-7200-01	Fan Motor	21	18-6100-01	Compressor
10	03-1404-03	Screw			
11	02-2378-01	Fan motor bracket			

ND750 SERVICE PARTS

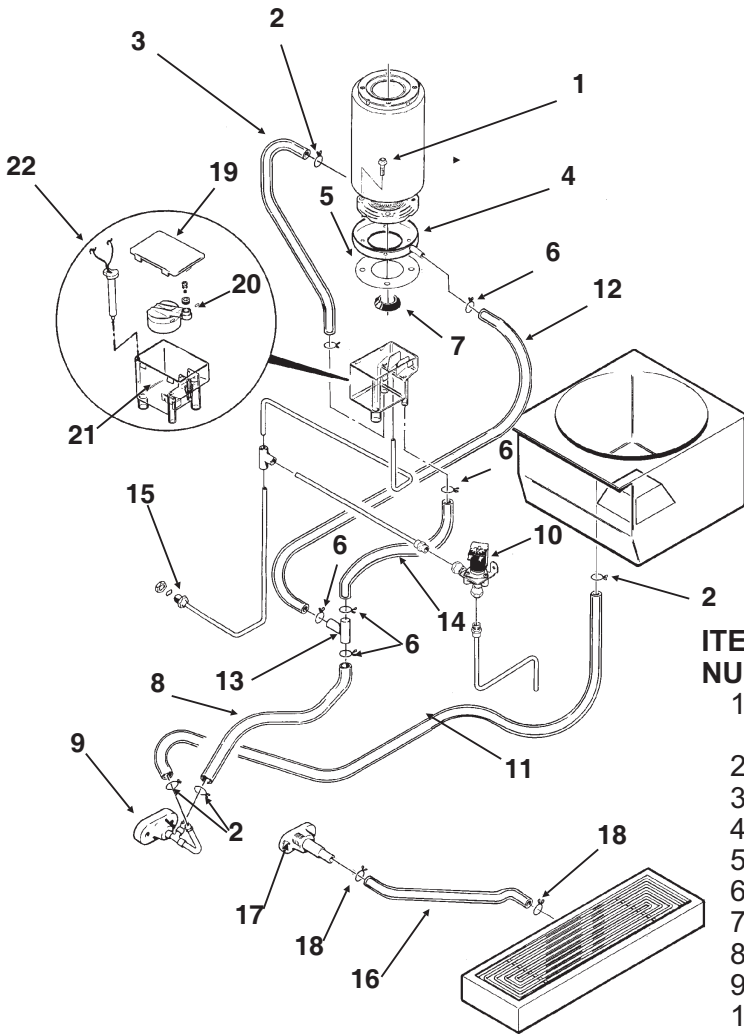
Water Cooled Refrigeration



ITEM NUMBER	PART NUMBER	DESCRIPTION	ITEM NUMBER	PART NUMBER	DESCRIPTION
1	A32961-020	Insulation kit, 3 piece	12	A34587-001	Suction line
2	16-0780-21	Thermo expansion valve	13	11-0446-22	Hi press. cut out
3	A33194-020	Evaporator	14	11-0447-20	Low press. cut out
4	03-0571-01	Screw	15	A28887-001	Bracket
5	03-1407-05	Washer	16	03-1407-07	Washer
6	16-0560-00	Valve core	17	03-1410-04	Lockwasher
	16-0563-00	Valve cap	18	18-2200-28	Grommet
7	02-3319-02	Dryer	19	03-1406-10	Hex nut
8	18-3306-25	Condenser	20	18-2200-27	Metal sleeve
9	A31828-001	Adaptor flange	21	18-6100-01	Compressor
10	A31828-002	Adaptor flange	22	11-0424-02	Water reg. valve
11	A33990-001	Bracket			

ND750 SERVICE PARTS

Water System



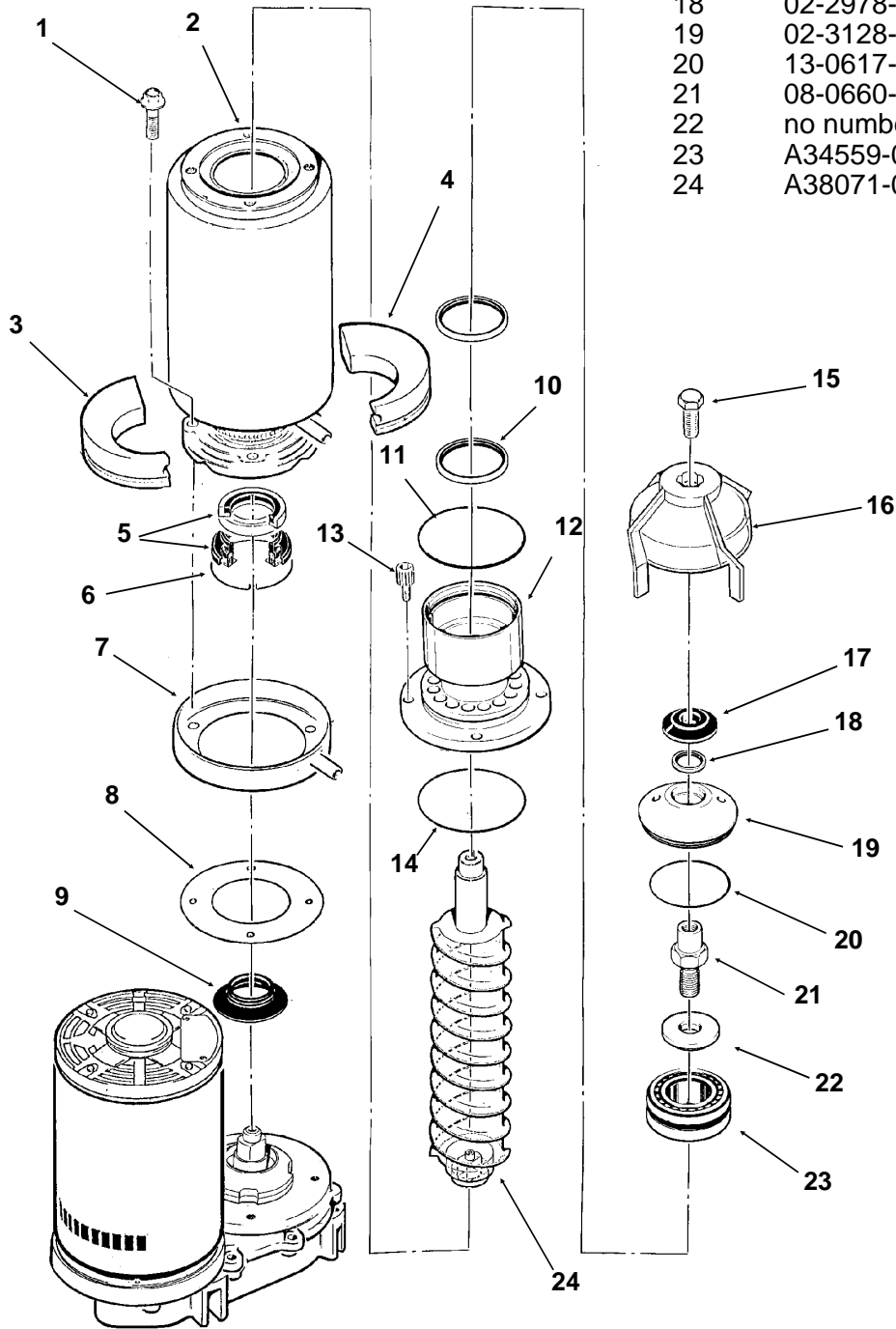
ITEM NUMBER	PART NUMBER	DESCRIPTION
1	03-1405-41	Cap screw
	03-1417-13	Lockwasher
2	02-2814-07	Hose clamp
3	13-0674-06	Evap. inlet tubing 27.75"
4	A32050-001	Drip Pan
5	13-0704-00	Gasket
6	02-2814-06	Hose clamp
7	13-0868-01	Water shed
8	13-0079-03	Drain tubing, 30"
9	A32294-001	Drain assy
10	12-1646-05	Inlet water valve
11	13-0674-06	Drain tubing 27.75"
12	13-0079-03	Drain tubing 4"
13	16-0670-02	Tee
14	13-0079-03	Drain tubing 30"
15	A27318-001	Water inlet fitting
16	13-0674-07	Sink drain tube 33"
17	02-3692-21	Drain casting
18	02-2814-10	Hose clamp
19	02-2936-01	Res. cover
20	A32907-001	Float assy
21	A32929-020	Reservoir Assy,
		includes 19, 20
22	A33101-022	Thermo probe

ND750 SERVICE PARTS

Evaporator

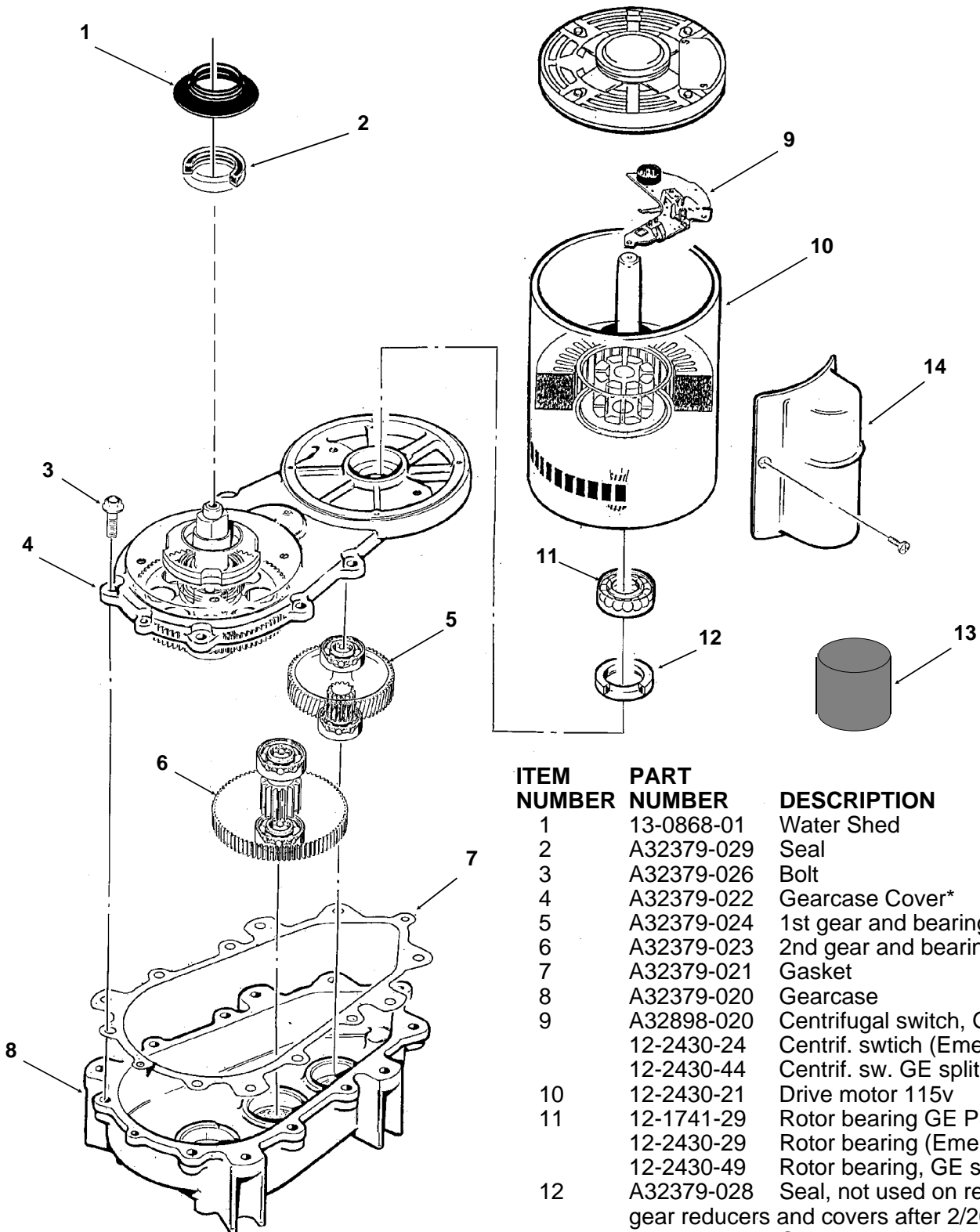
ITEM NUMBER	PART NUMBER	DESCRIPTION
1	03-1405-41	Cap Screw
	03-1417-13	Lockwasher
2	A33194-020	Evaporator
3	A32962-001	Insulation half
4	A32962-002	Insulation half
5	02-0929-23	Water seal
6	A32777-001	Retaining ring for seal
7	A32050-001	Drip pan

ITEM NUMBER	PART NUMBER	DESCRIPTION
8	13-0704-00	Gasket
9	13-0868-01	Water shed
10	02-2977-01	Lip Seal
11	13-0617-54	O-Ring
12	A32900-020	Breaker
	(incl. 10,14,18,19,20, 23)	
13	03-1544-08	Soc. head screw
14	13-0617-45	O-ring
15	03-1405-52	Hex cap screw
16	02-3001-01	Ice sweep
17	13-0871-01	Water shed
18	02-2978-01	Lip seal
19	02-3128-20	Breaker cover
20	13-0617-52	O-ring
21	08-0660-01	Auger stud (includes #22)
22	no number	Thrust washer (part of #21)
23	A34559-020	Bearing
24	A38071-021	Auger



ND750 SERVICE PARTS

Gearmotor

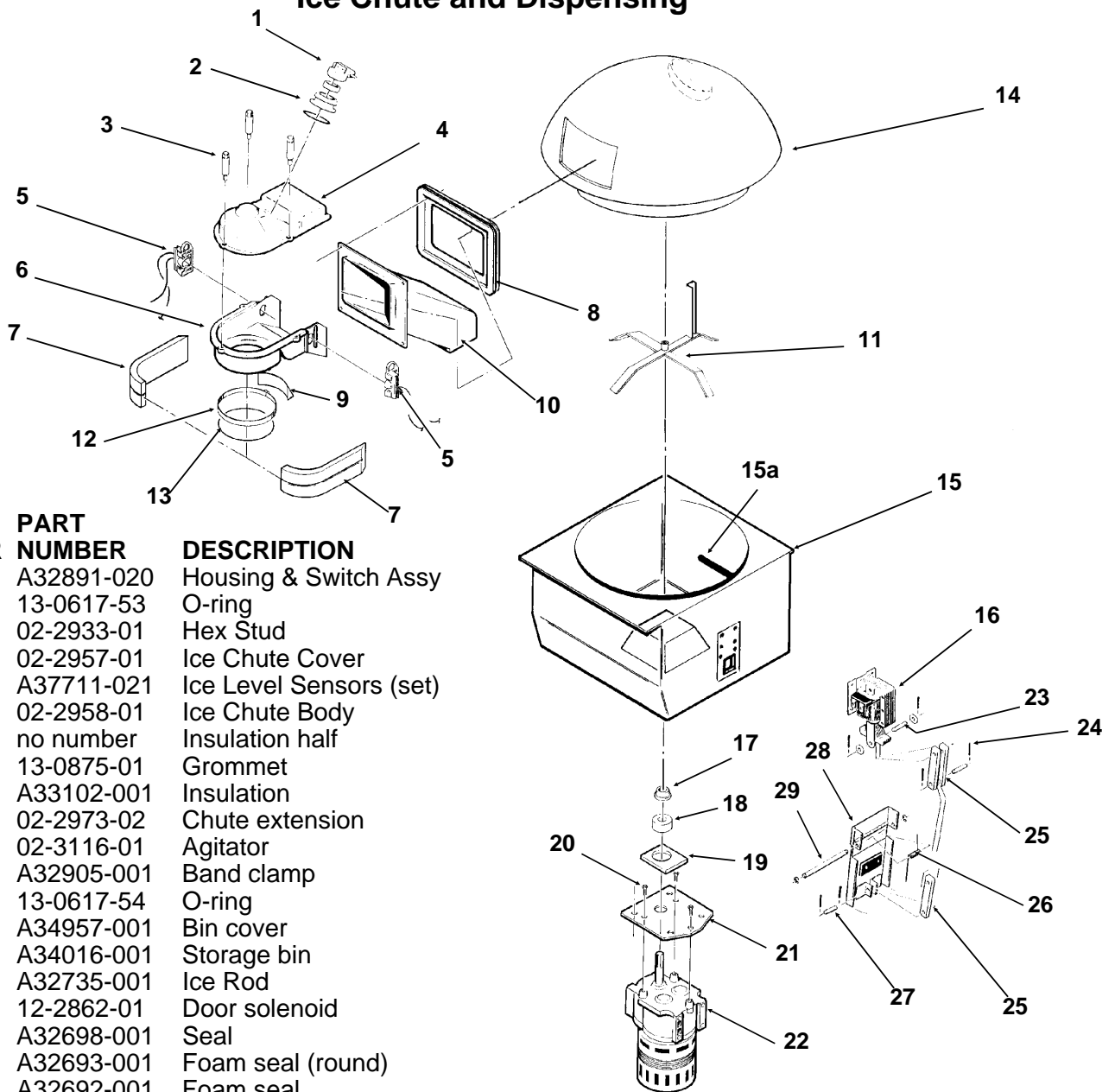


ITEM NUMBER	PART NUMBER	DESCRIPTION
1	13-0868-01	Water Shed
2	A32379-029	Seal
3	A32379-026	Bolt
4	A32379-022	Gearcase Cover*
5	A32379-024	1st gear and bearings
6	A32379-023	2nd gear and bearings
7	A32379-021	Gasket
8	A32379-020	Gearcase
9	A32898-020	Centrifugal switch, GE PSC
	12-2430-24	Centrif. switch (Emerson)
	12-2430-44	Centrif. sw. GE split phase
10	12-2430-21	Drive motor 115v
11	12-1741-29	Rotor bearing GE PSC
	12-2430-29	Rotor bearing (Emerson)
	12-2430-49	Rotor bearing, GE split phase
12	A32379-028	Seal, not used on replacement gear reducers and covers after 2/2000
13	A32379-027	Oil, 1 container
14	12-2314-22	Capacitor - GE PSC only
15	A33220-021	Complete Assy, 115v
16	A33220-030	Gearcase less motor

* Note: Gearcase cover includes cover, output shaft, key, output gear, bearings and seal.

ND750 SERVICE PARTS

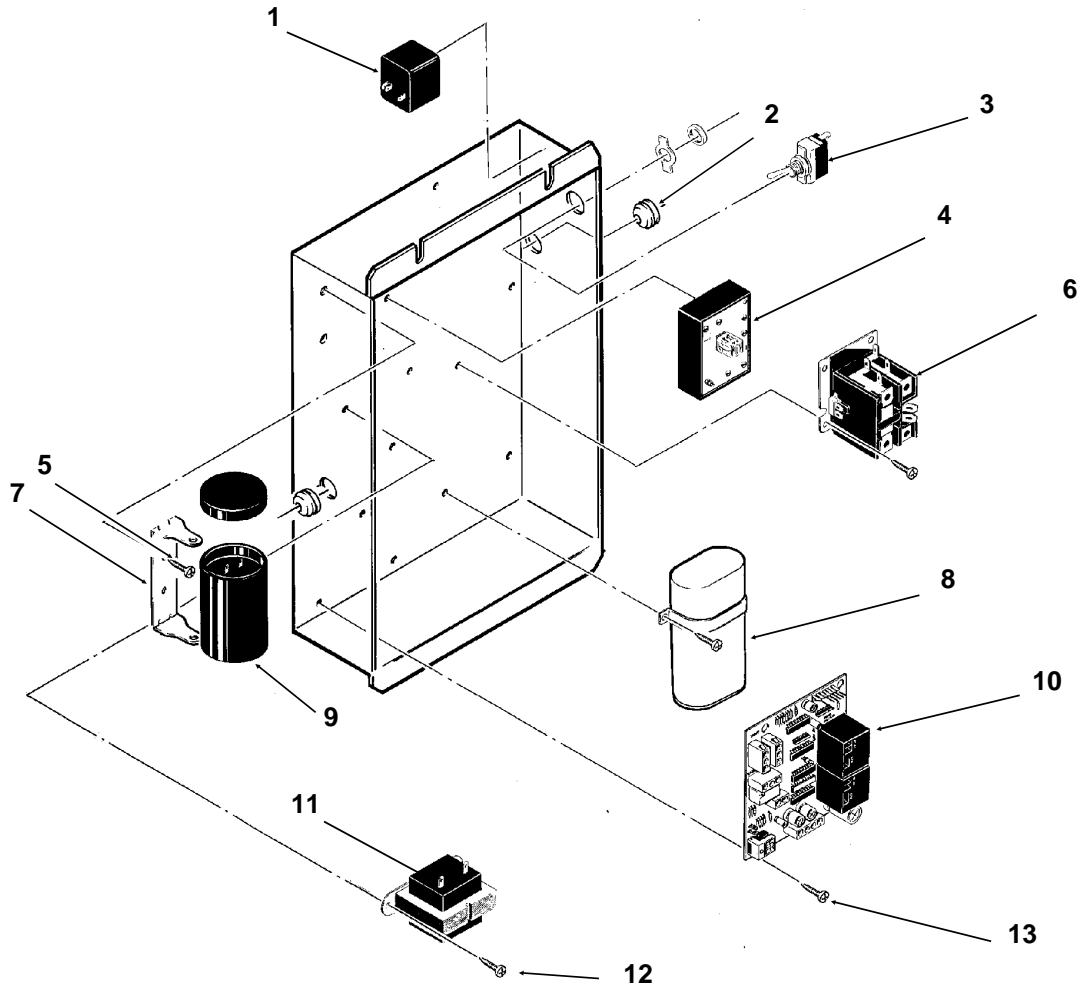
Ice Chute and Dispensing



ITEM NUMBER	PART NUMBER	DESCRIPTION
1	A32891-020	Housing & Switch Assy
2	13-0617-53	O-ring
3	02-2933-01	Hex Stud
4	02-2957-01	Ice Chute Cover
5	A37711-021	Ice Level Sensors (set)
6	02-2958-01	Ice Chute Body
7	no number	Insulation half
8	13-0875-01	Grommet
9	A33102-001	Insulation
10	02-2973-02	Chute extension
11	02-3116-01	Agitator
12	A32905-001	Band clamp
13	13-0617-54	O-ring
14	A34957-001	Bin cover
15	A34016-001	Storage bin
15a	A32735-001	Ice Rod
16	12-2862-01	Door solenoid
17	A32698-001	Seal
18	A32693-001	Foam seal (round)
19	A32692-001	Foam seal
20	03-1418-15	Screw
21	A34017-001	Plate
22	12-2368-01	Gearmotor Assy
	A32672-001	Heater for gearmotor
23	A32685-001	Linkage pins, med.
24	03-0396-01	Cotter pin
25	02-3206-01	Solenoid linkage (1 replaces early model 3 links)
26	A32690-001	Door spring
27	A32687-001	Linkage pins, small
28	A32787-001	Door
29	A32684-001	Long Axle
	03-1539-09	"C" Clip

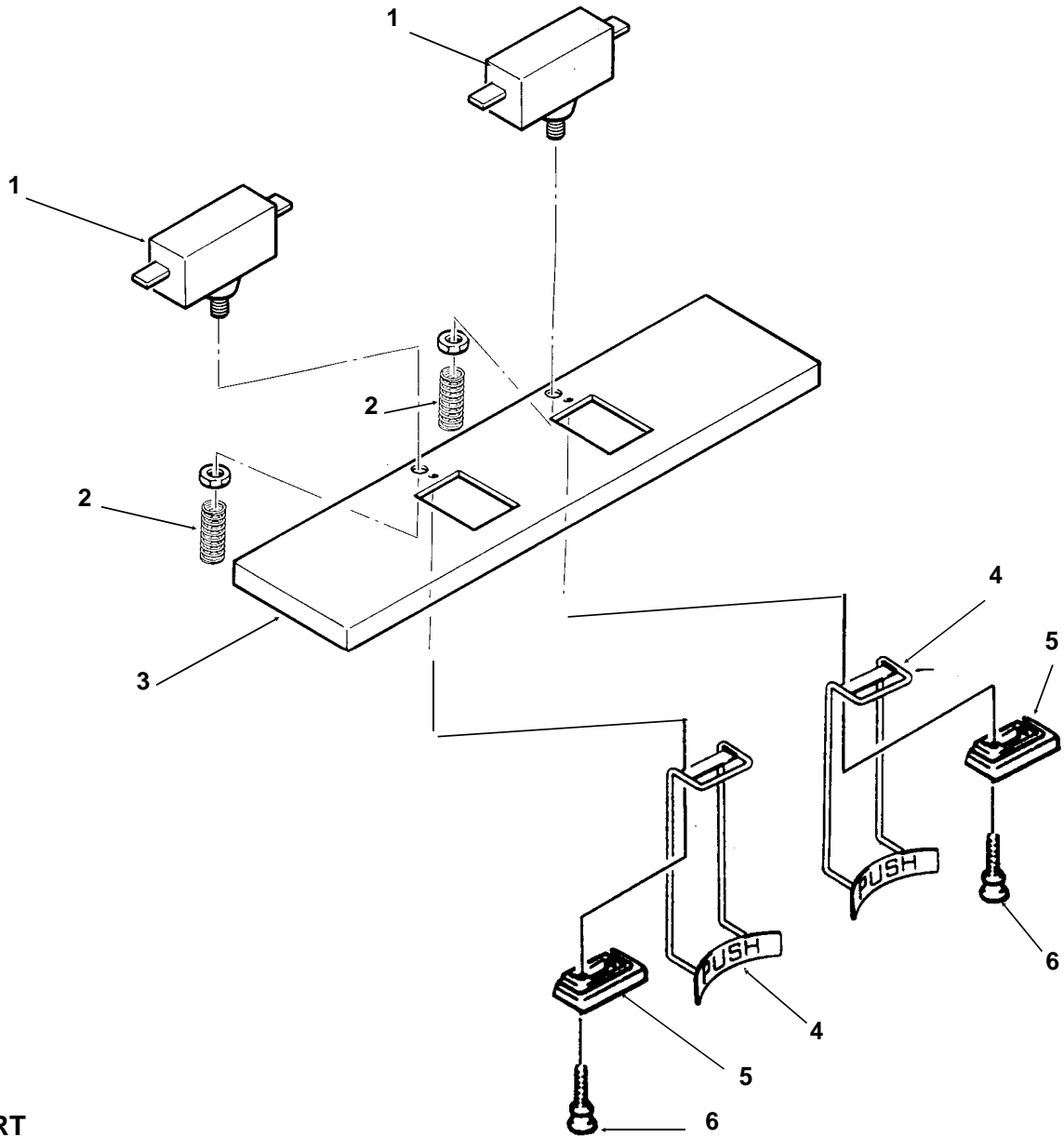
ND750 SERVICE PARTS

Control Box



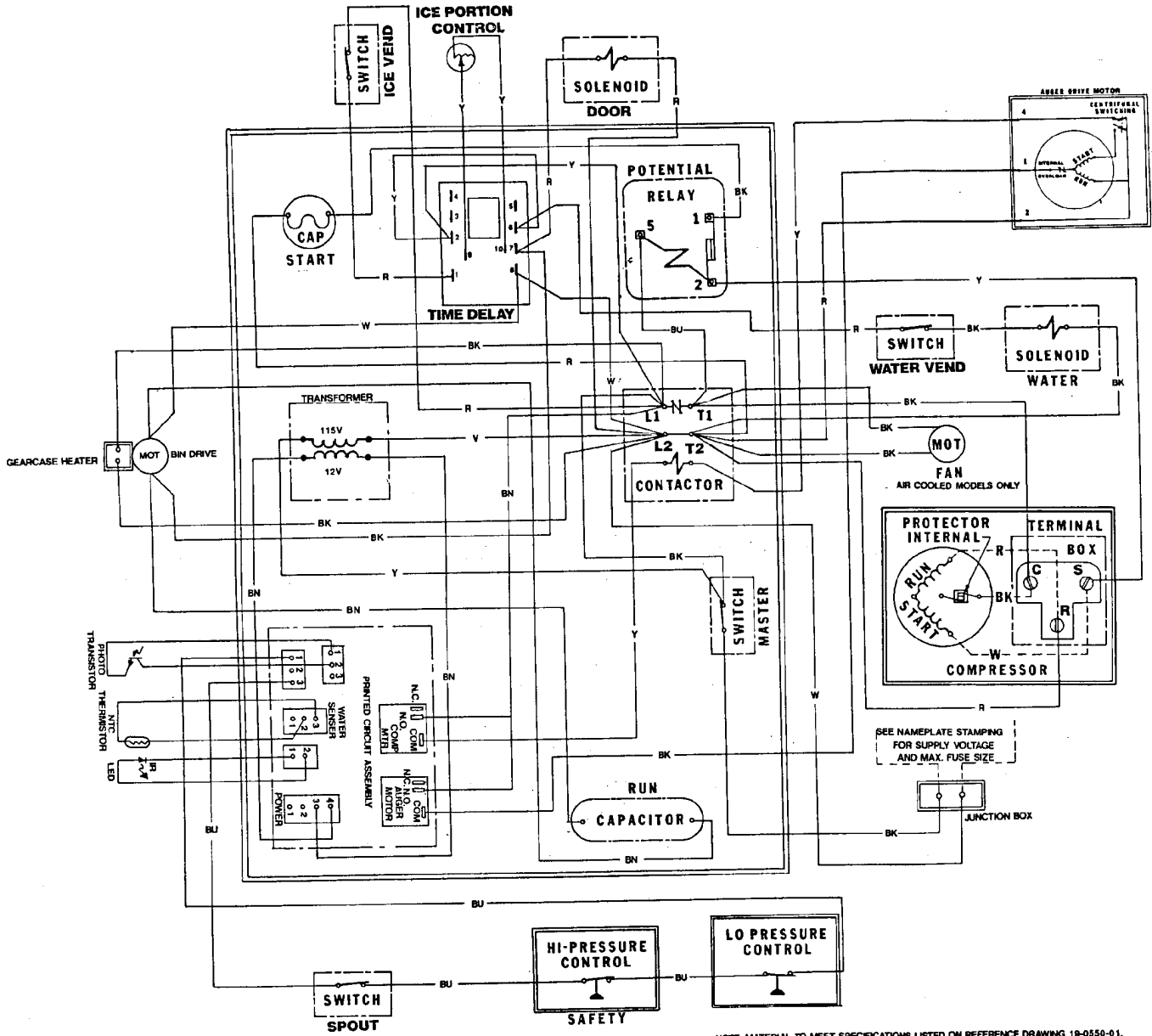
ITEM NUMBER	PART NUMBER	DESCRIPTION
1	18-1903-44	Potential Relay
2	12-1213-07	Bushing
3	12-0426-01	On/Off switch
4	12-2360-01	Time delay relay (portion control)
5	03-1419-06	Screw
6	12-2048-01	Contactor 115v
7	18-2200-39	Capacitor bracket
8	18-3701-01	Run capacitor-bin drive motor
9	18-1901-42	Start capacitor
10	A37750-021	Printed circuit board
11	12-2285-21	Transformer
12	03-1531-01	Screw
13	A33219-001	Standoff
NOT ILLUSTRATED		
14	A34528-001	Control box cover
15	12-2340-02	Plug assy, circuit board to transformer
16	12-2337-04	Plug assy, circuit board to LPC and spout switch

ND750 SERVICE PARTS DISPENSE ASSEMBLY



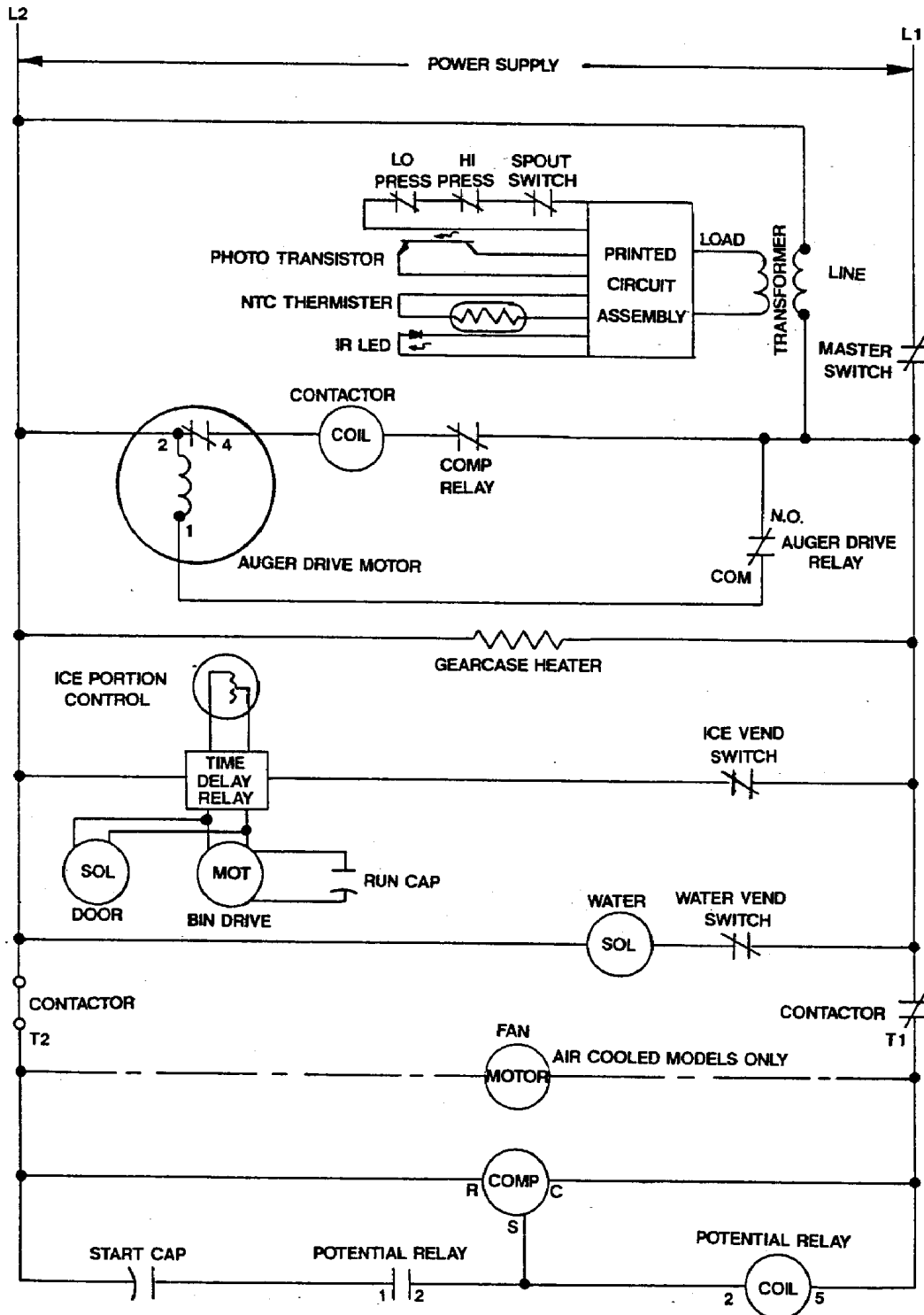
ITEM NUMBER	PART NUMBER	DESCRIPTION
1	12-1570-00	Switch
2	02-3016-01	Compression Spring
3	A34442-001	Spout Mtg. Bracket
4	02-2581-01	Glass Filler Lever
5	A22032-000	Adaptor
6	03-0727-08	Thumb Screw (2 for each lever)

ND750 SERVICE PARTS COMPONENT LAYOUT DIAGRAM



A34645-001

ND750 SERVICE PARTS SCHEMATIC DIAGRAM



USE COPPER CONDUCTORS ONLY
CONTR0LS SHOWN IN NORMAL ICEMAKING MODE WITH ALL DISPENSING SYSTEMS IN
OPERATION
THIS UNIT MUST BE GROUNDED