

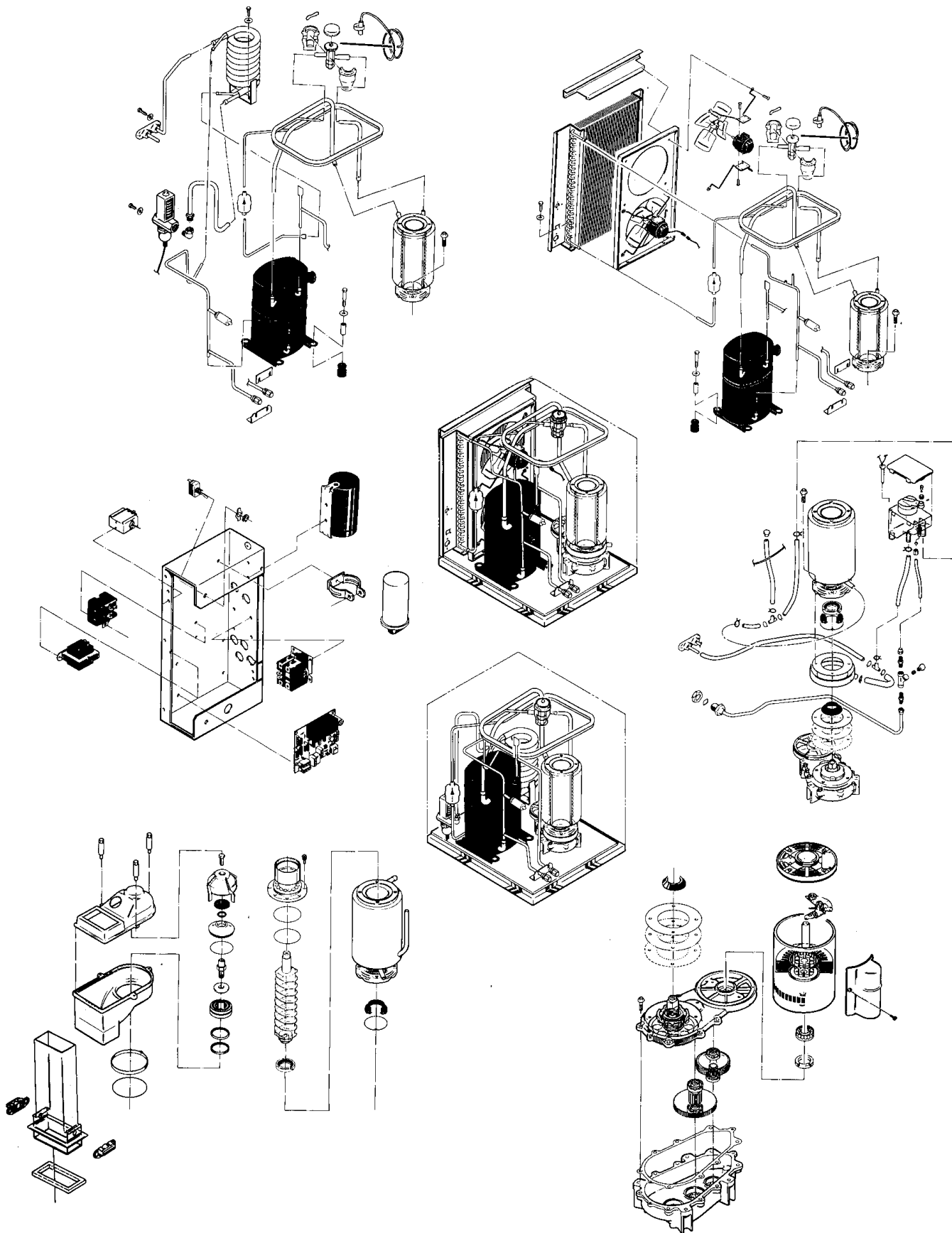
NM952 SERVICE PARTS

This parts list contains the service parts and wiring diagrams for this model. Check the model number in question to be sure that it is applicable to this parts list.

TABLE OF CONTENTS

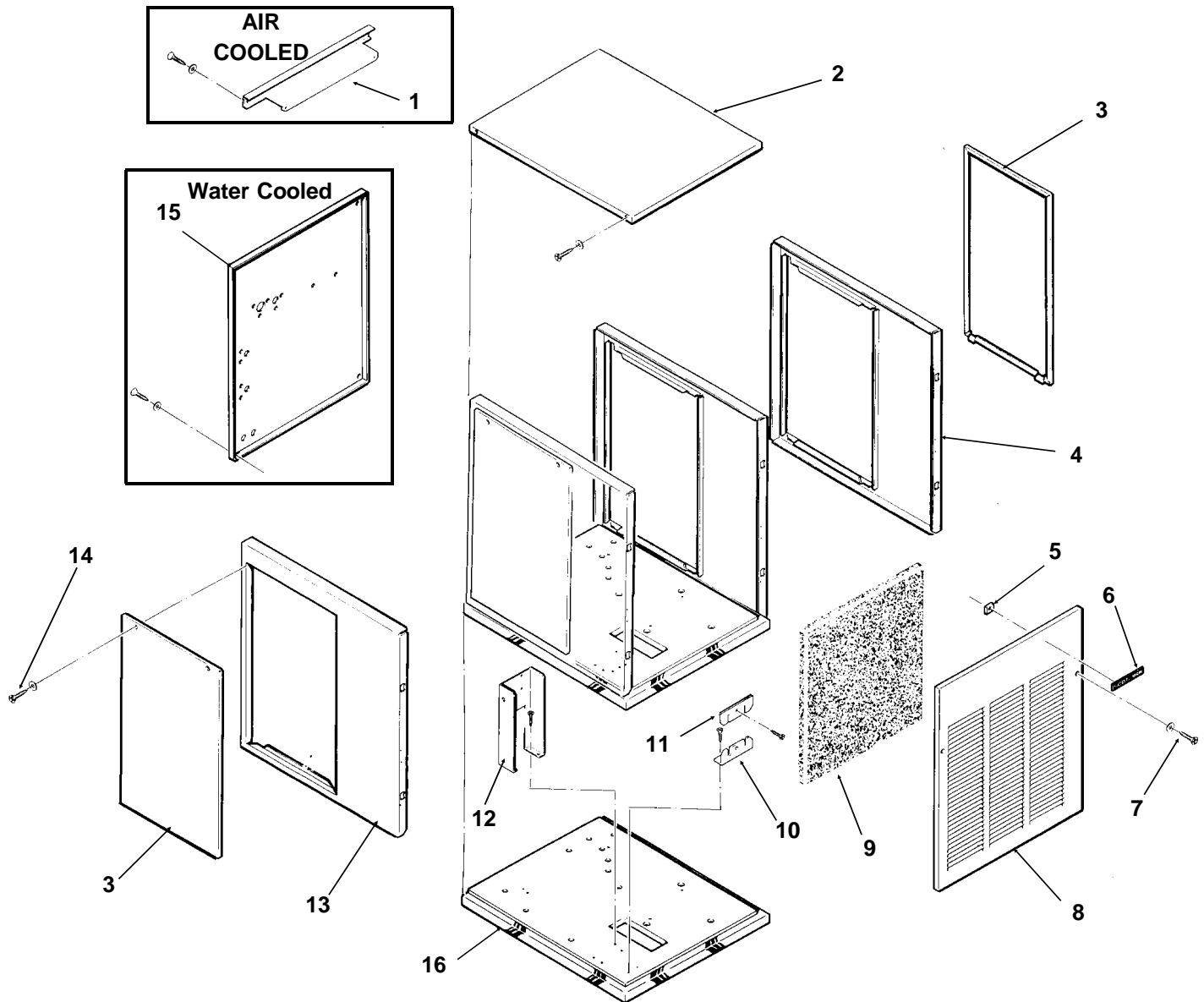
| | |
|---------------------------------|---|
| Cabinet | 2 |
| Air Cooled Refrigeration..... | 3 |
| Water Cooled Refrigeration..... | 4 |
| Water System..... | 5 |
| Gearmotor..... | 6 |
| Evaporator | 7 |
| Control Box..... | 8 |
| Wiring Diagrams..... | 9 |

NM952 SERVICE PARTS



NM952 SERVICE PARTS

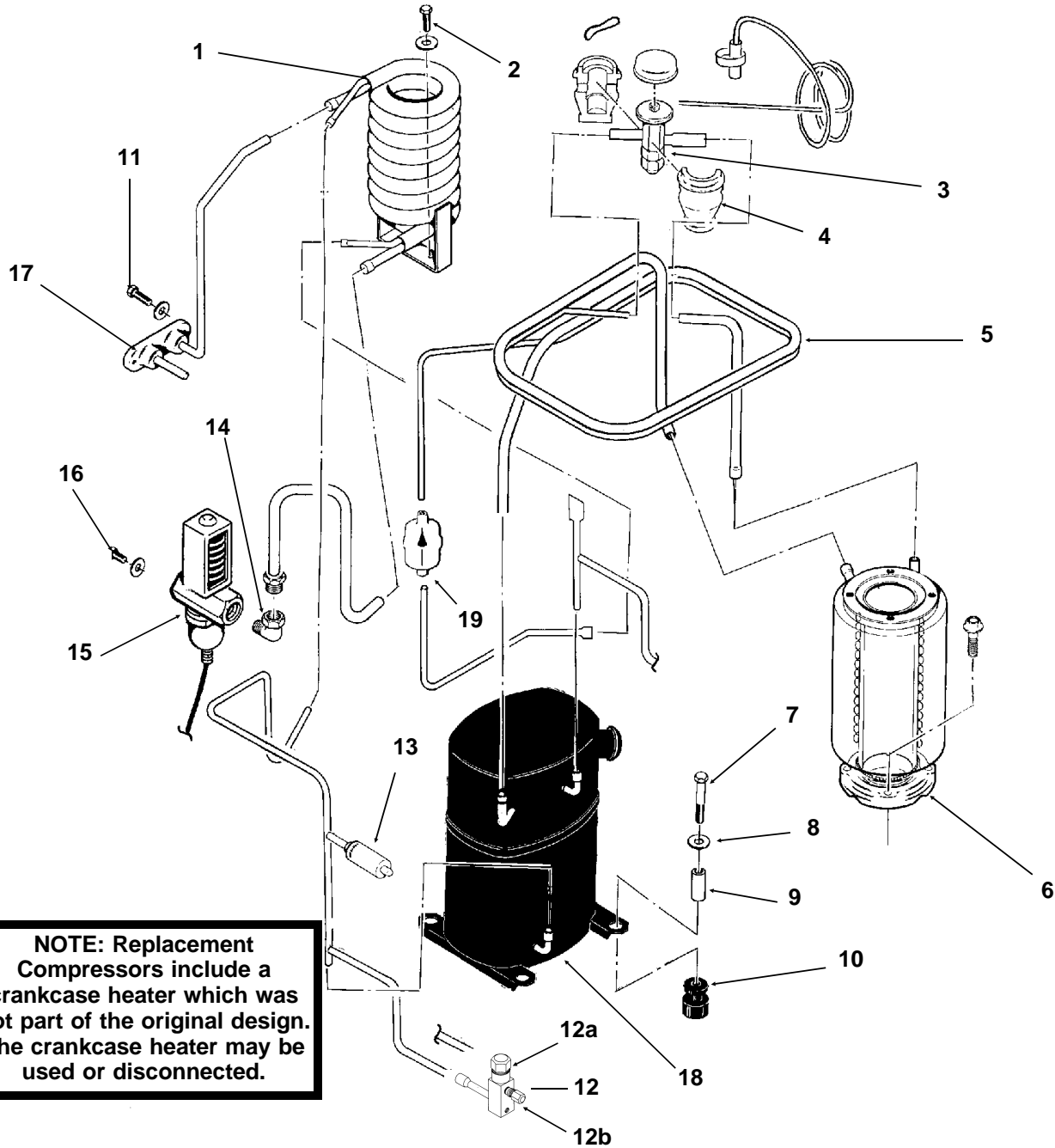
Cabinet Assembly



| ITEM NUMBER | PART NUMBER | DESCRIPTION | ITEM NUMBER | PART NUMBER | DESCRIPTION |
|-------------|-------------|---------------------------|-------------|-------------|---------------------------------------|
| 1 | A33233-001 | Condenser Support | 9 | 02-2976-01 | Filter Assembly |
| 2 | A33256-001 | Top Panel, Painted | 10 | A31462-001 | Tube Bracket |
| | A33256-002 | Top Panel, S.S. | 11 | A31461-001 | Tube Bracket |
| 3 | A34038-001 | Service Panel, Painted | 12 | A34039-001 | Control Box Support |
| | A34038-002 | Service Panel, S.S. | 13 | A32435-001 | Left Side Panel, Painted |
| 4 | A33292-001 | Right Side Panel, Painted | | A32435-002 | Left Side Panel, S.S. |
| | A33292-002 | Right Side Panel, S.S. | 14 | 03-1404-12 | Screw |
| 5 | 03-0271-00 | Speed Clip | 15 | A33252-001 | Rear Panel, Water Cooled Painted Only |
| 6 | 15-0711-01 | Emblem | | | |
| 7 | 03-1419-08 | Screw | 16. | A34042-001 | Base |
| 8 | A33255-001 | Front Panel, Painted | | | |
| | A33255-002 | Front Panel, S.S. | | | |

NM952 SERVICE PARTS

Water Cooled Refrigeration



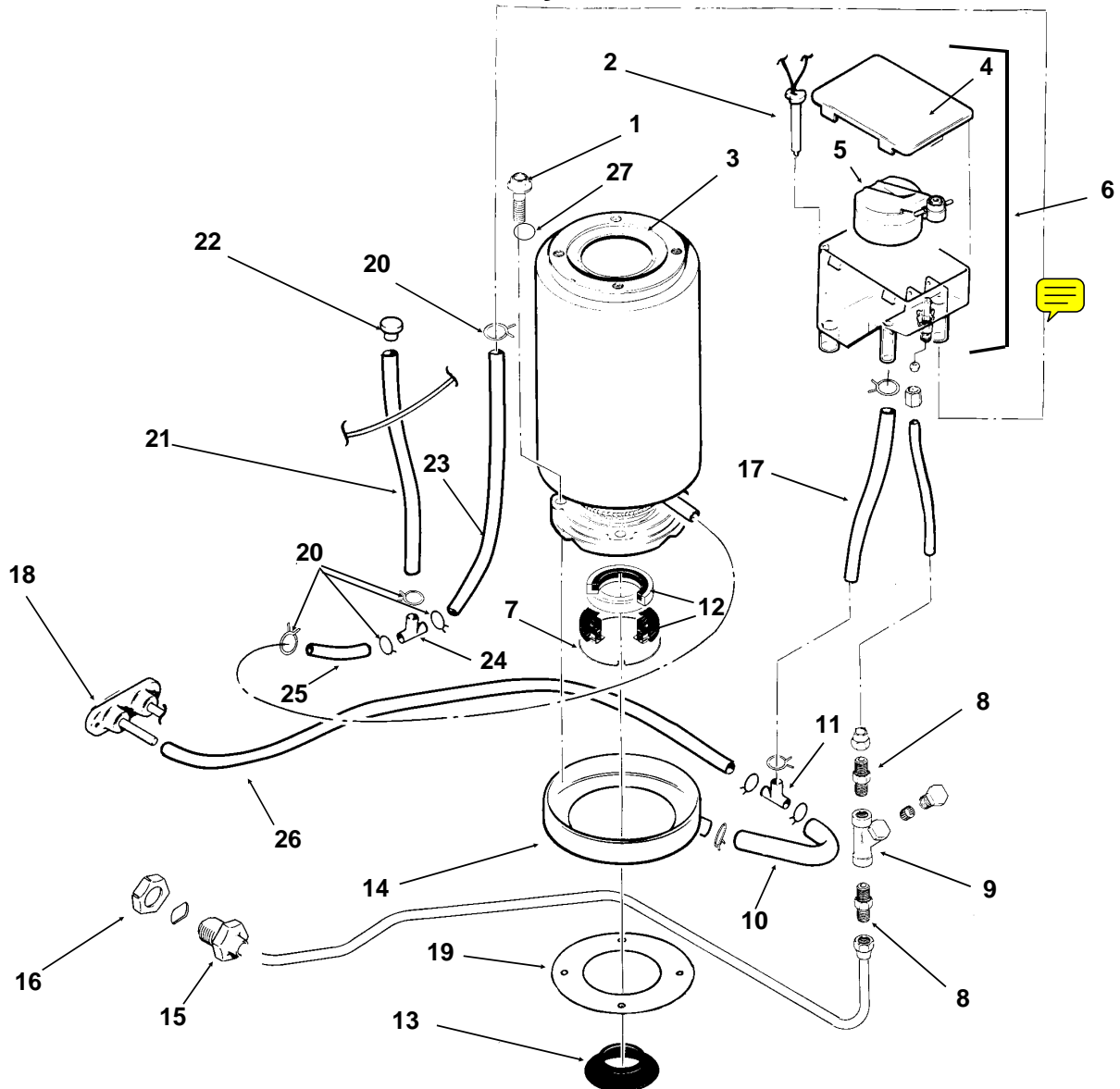
NOTE: Replacement Compressors include a crankcase heater which was not part of the original design. The crankcase heater may be used or disconnected.

| ITEM NUMBER | PART NUMBER | DESCRIPTION | ITEM NUMBER | PART NUMBER | DESCRIPTION |
|-------------|-------------|--------------------------|-------------|-------------|-------------------------|
| 1 | 18-8718-25 | Condenser | 12 | 16-0832-20 | Access Valve |
| 2 | 03-1645-01 | Screw | 12a | 16-0832-02 | Stem cap |
| 3 | 11-0477-20 | Thermo Expansion Valve | 12b | 16-0832-03 | Core cap |
| 4 | A32961-020 | Insulation Kit (3 piece) | 13 | 11-0446-27 | Hi Pressure Cut Out |
| 5 | A35566-001 | Suction Line | 14 | 16-0401-02 | Elbow |
| 6 | A32890-020 | Evaporator | 15 | 11-0424-01 | Water Reg. Valve |
| 7 | 03-1405-20 | Cap Screw | 16 | 03-1403-14 | Screw |
| 8 | 03-1407-07 | Washer | 17 | A34044-001 | Drain Assembly |
| 9 | 18-2300-26 | Sleeve | 18 | 18-8716-23 | Compressor 208-230/60/1 |
| 10 | 18-6800-01 | Grommet | | 18-8716-25 | Compressor 200-230/60/3 |
| 11 | 03-1645-01 | Screw | | 18-8716-26 | Compressor 220-240/50/1 |

(all have internal overloads & 18-8716-23, 18-8716-25 have crankcase heaters)

NM952 SERVICE PARTS

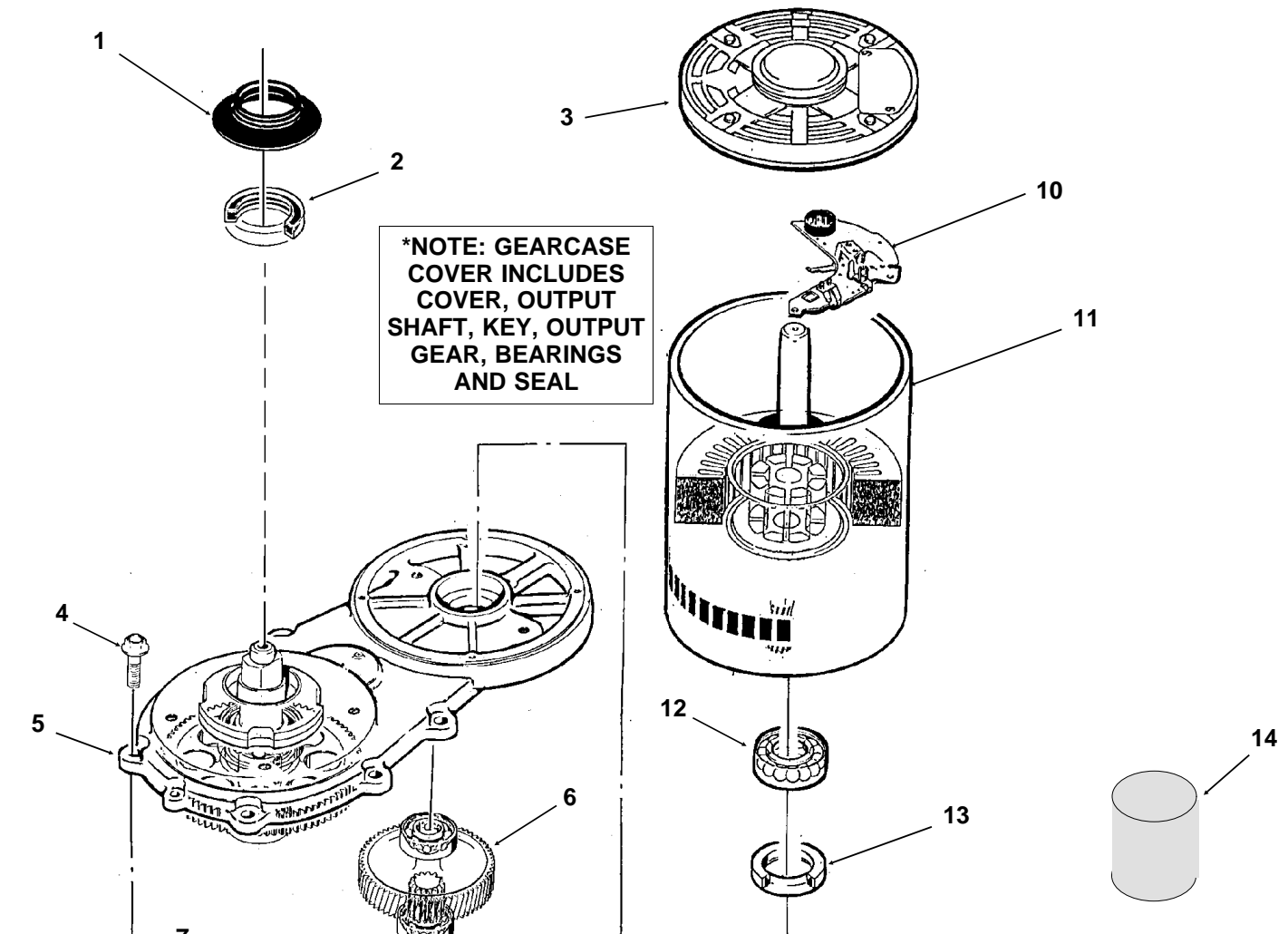
Water System



| ITEM NUMBER | PART NUMBER | DESCRIPTION | ITEM NUMBER | PART NUMBER | DESCRIPTION |
|-------------|-------------|---|-------------|-------------|---------------------------|
| 1 | 03-1420-03 | Cap Screw | 14 | A32050-001 | Drip Pan |
| 2 | A33101-022 | Water Level Sensor | 15 | A27318-001 | Water Inlet Fitting |
| 3 | A32890-020 | Evaporator | 16 | 03-1394-01 | Pal Nut |
| 4 | 02-2936-01 | Res. Cover | 17 | 13-0079-03 | Res. Overflow, 8" req. |
| 5 | A32907-001 | Float Assembly with pin housing seal, rubber seat, insert & float | 18 | A34045-001 | Drain Casting, air cooled |
| 6 | 02-3190-01 | Rubber seat | 19 | 13-0704-00 | Gasket |
| 6 | A32929-020 | Reservoir Assy Complete | 20 | 02-2814-08 | Clamps |
| 7 | A32777-001 | Retaining Ring for seal | 21 | 13-0674-06 | Evap. Drain, 14" req. |
| 8 | 16-0791-01 | Half Union | 22 | 13-0840-01 | Plug |
| 9 | 16-0162-00 | Strainer | 23 | 13-0674-06 | Evap. Inlet Tube, 5" req. |
| 10 | 13-0079-03 | Tube, 3.2" req. | 24 | 16-0670-01 | Tee |
| 11 | 16-0670-02 | Tee | 25 | A33203-001 | Tube, Preformed |
| 12 | 02-0929-23 | Water Seal | 26 | 13-0079-03 | Drain Tube, 24" req. |
| 13 | 13-0868-01 | Water Shed | 27. | 03-1417-13 | Lockwasher |

NM952 SERVICE PARTS

Gearmotor



***NOTE: GEARCASE COVER INCLUDES COVER, OUTPUT SHAFT, KEY, OUTPUT GEAR, BEARINGS AND SEAL**

| ITEM NUMBER | PART NUMBER | DESCRIPTION |
|-------------|-------------|-----------------------------------|
| 1 | 13-0868-01 | Water Shed |
| 2 | A32379-029 | Seal |
| 3 | no number | End bell |
| 4 | A32379-026 | Bolt |
| 5 | A32379-022 | Gearcase Cover* |
| 6 | A32379-024 | 1st Gear and Bearings |
| 7 | A32379-023 | 2nd Gear and Bearings |
| 8 | A32379-021 | Gasket |
| 9 | A32379-020 | Gearcase |
| 10 | 12-2430-24 | Start swtich, Emerson |
| | 12-2430-44 | Start sw, GE split phase |
| 11 | 12-2430-22 | Drive Motor 208-230 |
| 12 | 12-2430-29 | Rotor Bearing, Emerson |
| | 12-2430-49 | Rotor bearing, GE split phase |
| 13 | A32379-028 | Seal |
| 14 | A32379-027 | Oil, 1 Container |
| 15 | A33220-022 | Complete Assembly 208-230 volt |

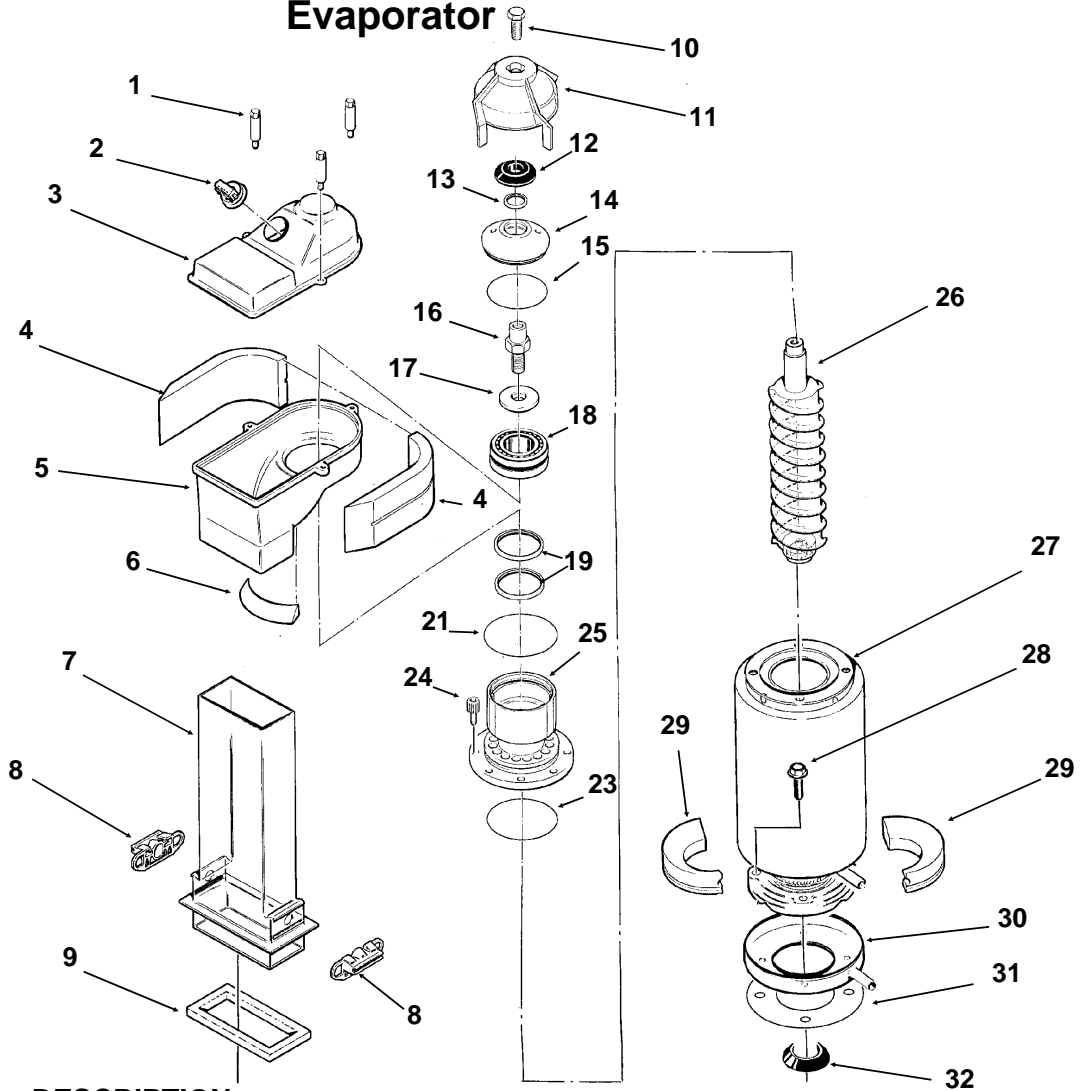
Complete assembly includes water shed and drip pan gasket.

A33220-030 Gears, oil & covers. No motor

NM952 SERVICE PARTS

Evaporator

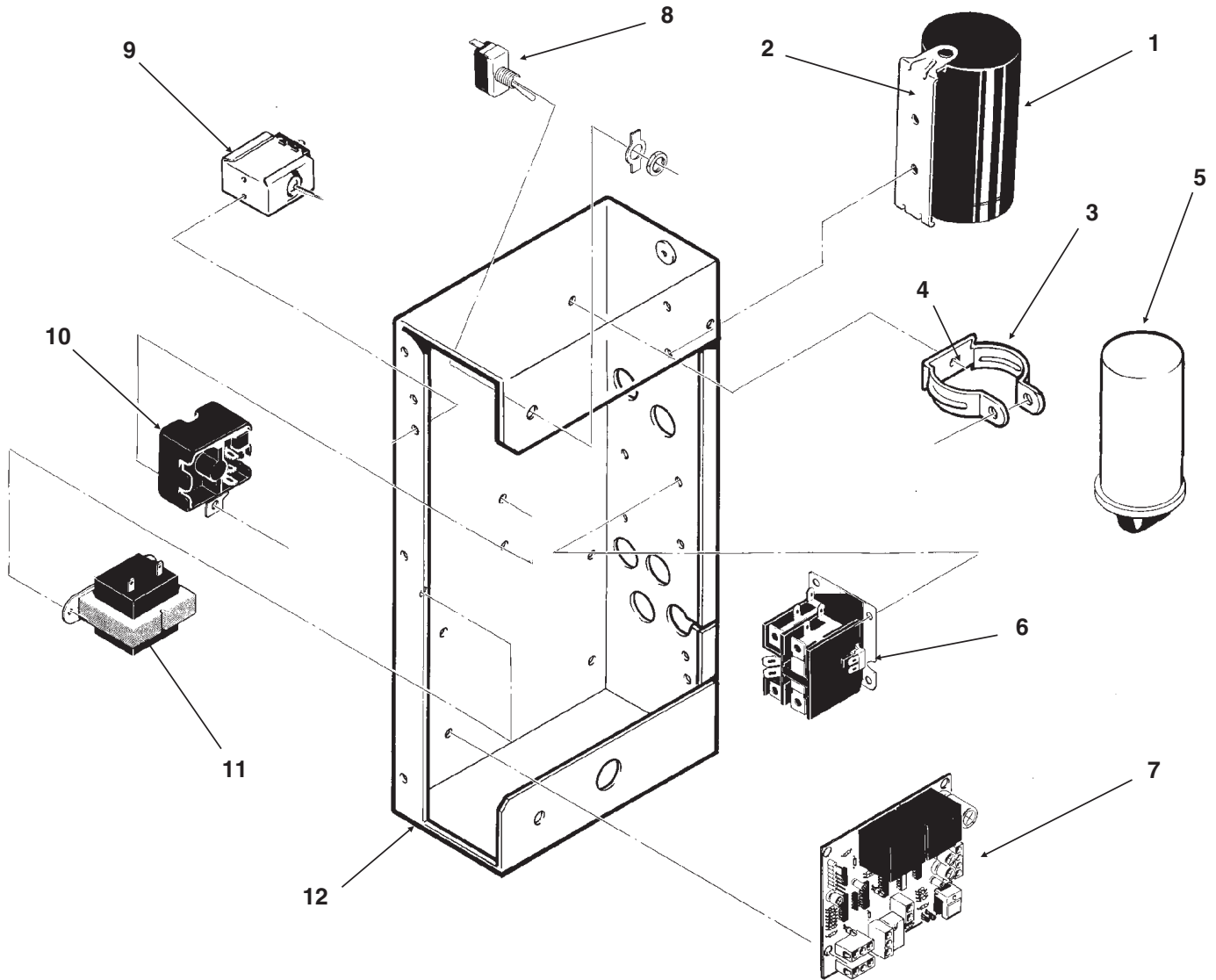
Not Illustrated:
Bail Clamp, pn
A34969-001



| ITEM NUMBER | PART NUMBER | DESCRIPTION |
|-------------|-------------|---|
| 1. | 02-2933-01 | Hex Stud |
| 2. | A32891-020 | Switch assembly |
| | 13-0617-53 | O-ring |
| | 12-2398-01 | Manual reset switch |
| 3. | 02-2930-01 | Ice Chute Cover |
| 4. | A32963-001 | Insulation Top (half) |
| 5. | 02-2926-01 | Ice Chute Body |
| 6. | A33102-001 | Insulation Collar Inside |
| | A35419-020 | Strap kit |
| 7. | 02-2929-01 | Ice Chute Lower |
| 8. | A37708-021 | Bin Controls Assy. |
| | (set of 2) | |
| 9. | A32930-001 | Chute Gasket |
| 10. | 03-1405-52 | Hex Cap Screw |
| 11. | 02-3001-01 | Ice Sweep |
| 12. | 13-0871-01 | Water Shed |
| 13. | 02-2978-01 | Lip Seal |
| 14. | 02-2138-20 | Breaker Cover |
| 15. | 13-0617-54 | O-Ring |
| 16. | 08-0660-01 | Auger Stud, includes 17 |
| 17. | no number | Thrust Washer. part of item 16 |
| 18. | A34559-020 | Bearing |
| 19. | 02-2977-01 | Lip Seal |
| 20. | no number | |
| 21. | 13-0617-52 | O-Ring |
| 22. | no number | |
| 23. | 13-0617-45 | O-Ring |
| 24. | 03-1544-08 | Soc. Head Screw |
| 25. | A32900-020 | Breaker (includes 13,14,15, 18,19 & 23) |
| 26. | A38071-022 | Auger |
| 27. | A32890-020 | Evaporator |
| 28. | 03-1405-41 | Cap Screw |
| 29. | A32962-001 | Insulation Bot. (half) |
| 30. | A32050-001 | Drip Pan |
| 31. | 13-0704-00 | Drip Pan Gasket |
| 32. | 13-0868-01 | Water Shed |

NM952 SERVICE PARTS

Control Box

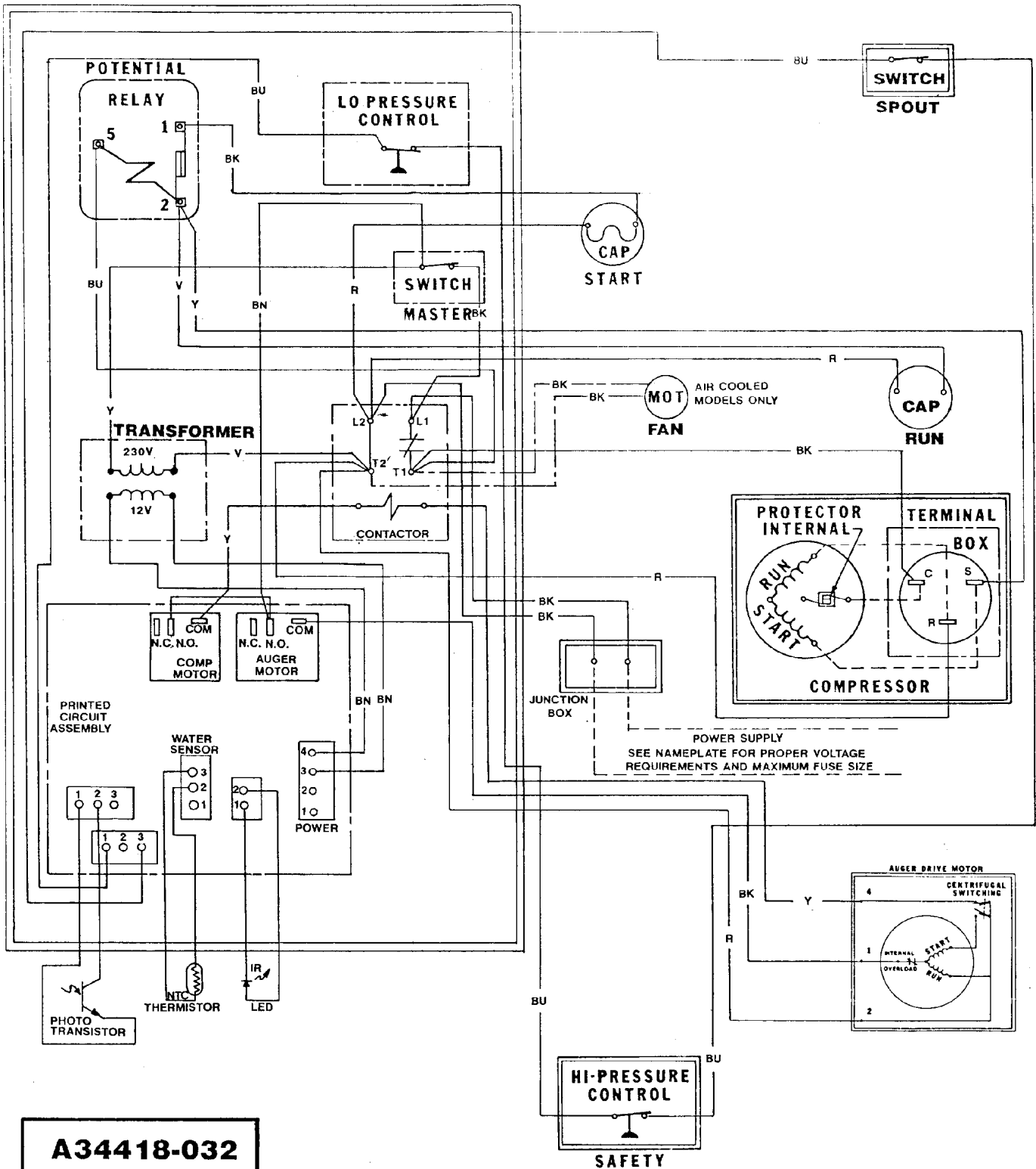


| ITEM NUMBER | PART NUMBER | DESCRIPTION | ITEM NUMBER | PART NUMBER | DESCRIPTION |
|-------------|-------------|-------------------------|-----------------|-------------|-----------------------------------|
| 1 | 18-1901-15 | Start Capacitor, 60 Hz | 7 | A37750-021 | Circuit Board |
| | 18-1901-23 | Start Capacitor, 50 Hz | 8. | 12-0426-01 | Master Switch |
| | 18-2200-38 | Start Capacitor Cap. | 9. | 11-0447-20 | Low Pressure Control |
| 2. | 18-2200-39 | Start Capacitor Bracket | 10 | 18-1903-33 | Potential Relay, all Hz |
| | 03-1638-04 | Screw | | 18-1903-46 | Potential relay, 50 Hz |
| | 03-1417-15 | Lockwasher | 11. | 12-2285-22 | Transformer |
| 3. | A32872-001 | Run Cap Bracket | 12 | no number | Control Box |
| | 03-1652-02 | Bolt | NOT ILLUSTRATED | | |
| | 03-0255-04 | Wing Nut | 13. | 12-2337-02 | 3 Pin Plug Assy |
| 4. | 03-1638-03 | Screw | | | (Safety Circuit to Circuit Board) |
| 5. | 18-1902-53 | Run capacitor, all | 14. | 12-2340-01 | 4 Pin Plug Assy |
| 6. | 12-2469-02 | Single Phase Contactor | | | (Transformer to Circuit Board) |
| | 12-0739-02 | Three phase contactor | 15. | A34055-001 | Control Box Cover |

Note: Hz means Cycles, 50 Hz is 50 cycle, the model number ends in a -6 for 50 Hz models.

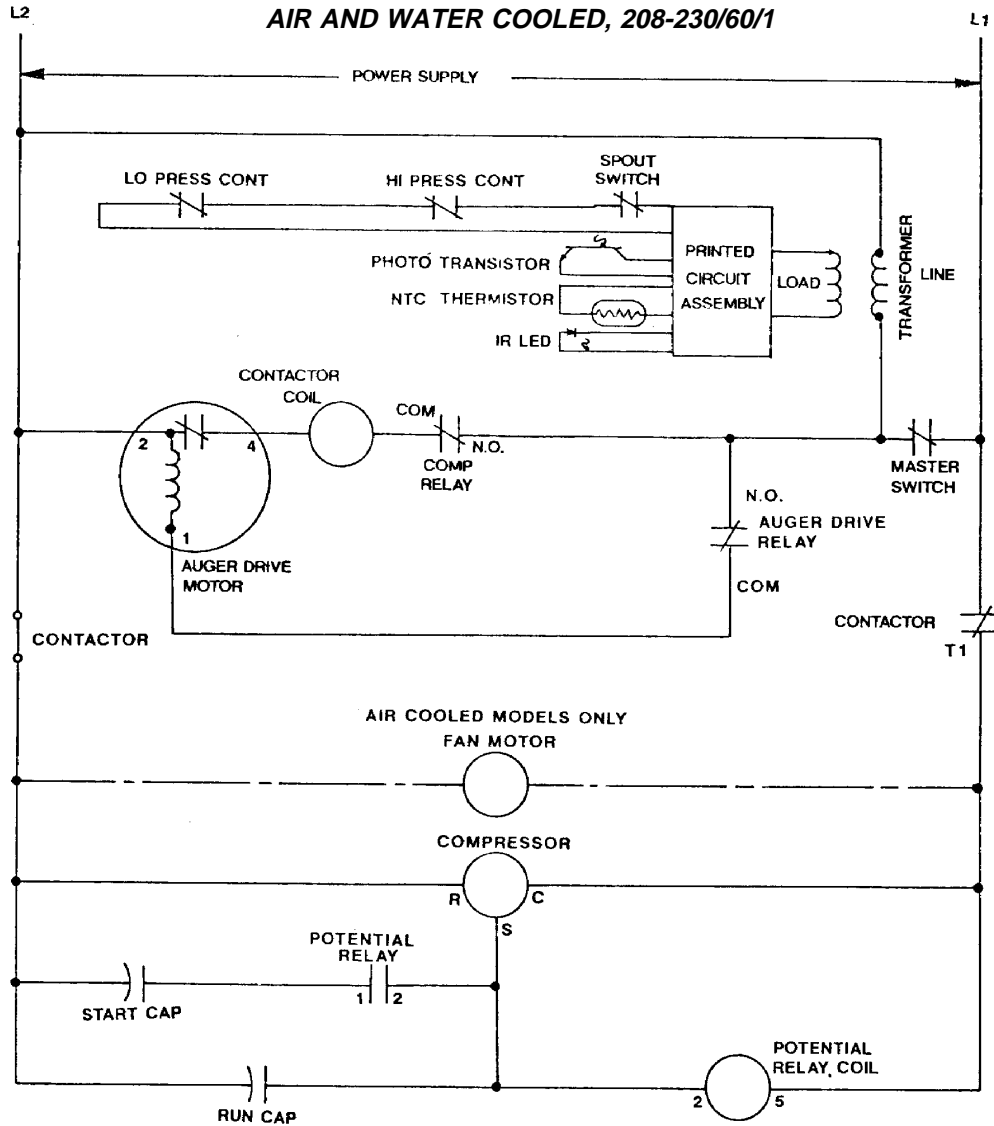
NM952 SERVICE PARTS

AIR AND WATER COOLED, 208-230/60/1



A34418-032

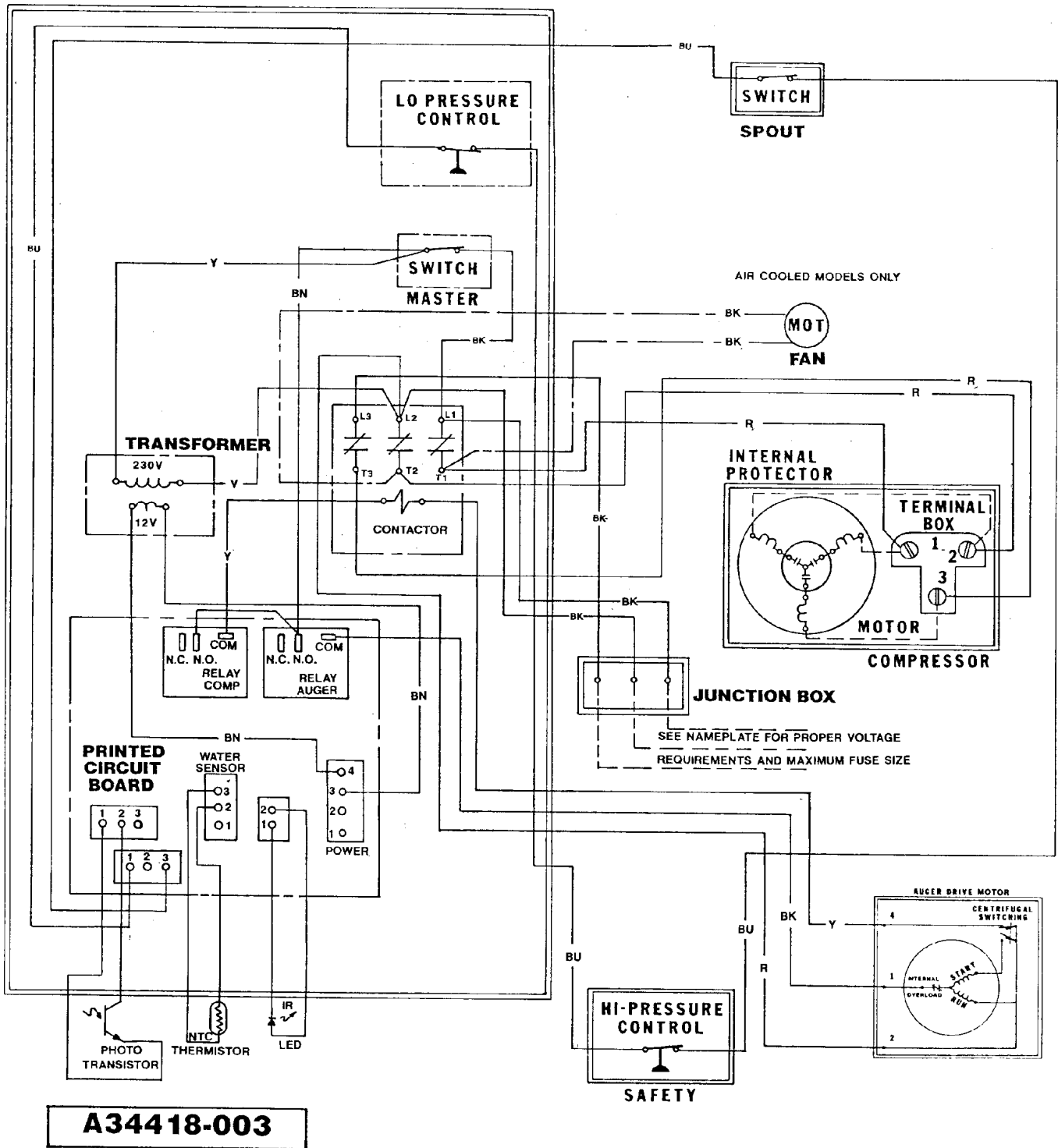
NM952 SERVICE PARTS



**USE COPPER CONDUCTORS ONLY
ALL CONTROLS SHOWN IN NORMAL ICEMAKING MODE
THIS UNIT MUST BE GROUNDED**

NM952 SERVICE PARTS

AIR AND WATER COOLED, 208-230/60/3



NM952 SERVICE PARTS

