

SCV32 Service Parts

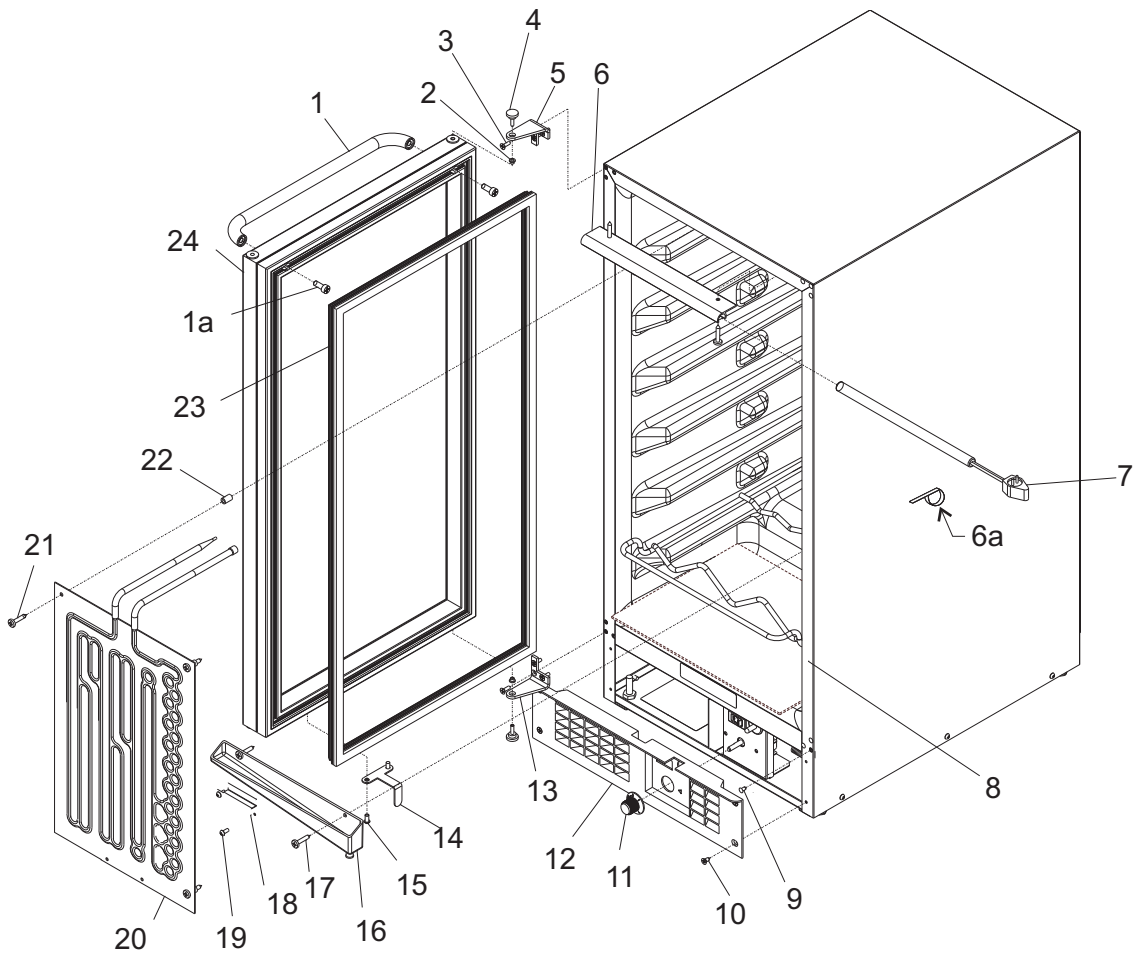
This parts list contains the service parts for the Scotsman wine storage unit model SCV32.

Table of Contents

| | |
|--|--------|
| Cabinet Front and Interior | Page 2 |
| Cabinet Back | Page 3 |
| Condensing Unit & Electrical | Page 4 |
| Wiring Diagram | Page 5 |

SCV32 Service Parts

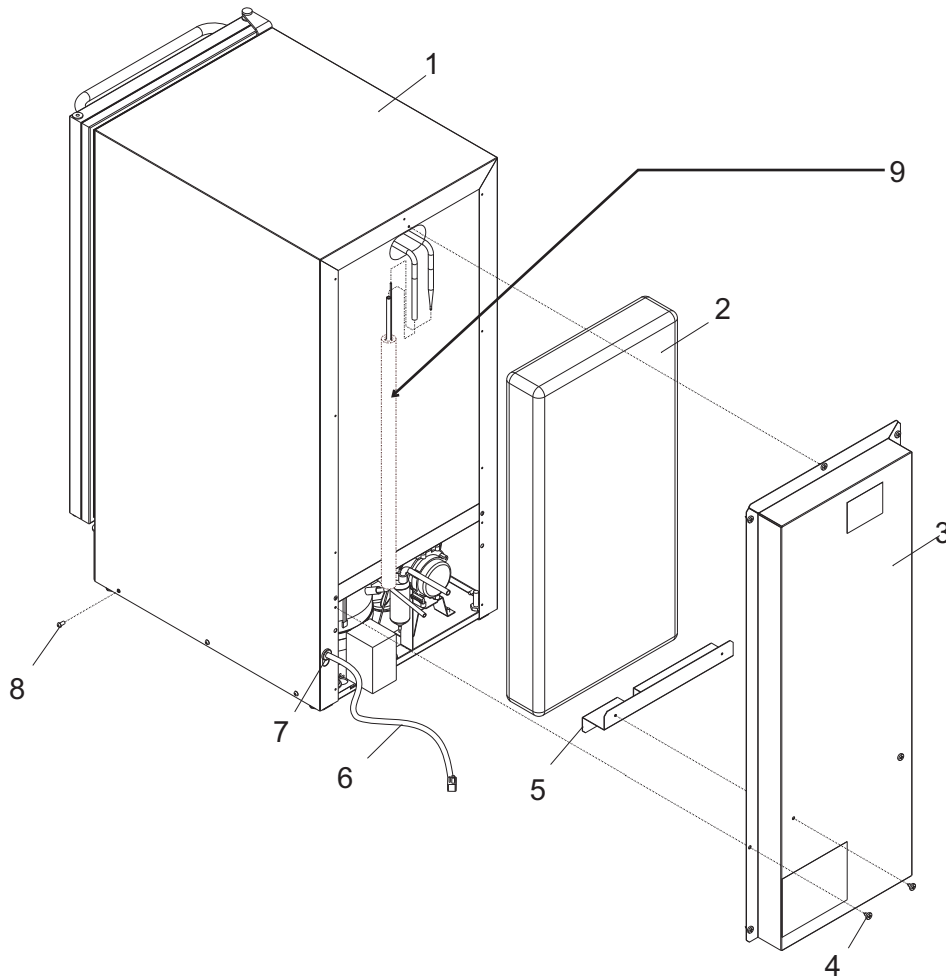
Cabinet Front and Interior



| Item Number | Part Number | Description | Item Number | Part Number | Description |
|-------------|-------------|----------------------------|-------------|-------------|-------------------------------|
| 1 | 02-3847-01 | Door handle | 12 | 02-3982-01 | Kickplate |
| 1a | 03-3814-02 | Screw | 13 | 15-0813-01 | Hinge, left lower/rt upper |
| 2 | 02-4004-01 | Bushing | 14 | A38411-001 | Switch actuator |
| 3 | 03-1418-24 | Screw, flush head | 15 | 03-1431-00 | Screw |
| 4 | 03-3834-01 | Hinge pin | 16 | 02-3987-01 | Trough |
| 5 | 15-0813-02 | Hinge, left upper/rt lower | 17 | 03-1404-19 | Screw |
| 6 | A38846-001 | Light housing | 18 | A38413-001 | Thermostat bracket |
| 6a | 03-3869-01 | Bulb clamp | 19 | 03-1531-01 | Screw |
| 6b | 03-1730-01 | Washer | 20 | 18-8876-21 | Evaporator |
| 7 | 12-2888-01 | Bulb | 21 | 03-1404-19 | Screw |
| 8 | 02-3983-01 | Rack | 22 | 02-2505-01 | Spacer |
| 9 | 02-2481-02 | Plug | 23 | 13-0825-04 | Gasket |
| 10 | 03-1419-26 | Screw | 24 | 02-3985-21 | Door, includes items 1 and 1a |
| 11 | 15-0812-01 | Knob | | | |

SCV32 Service Parts

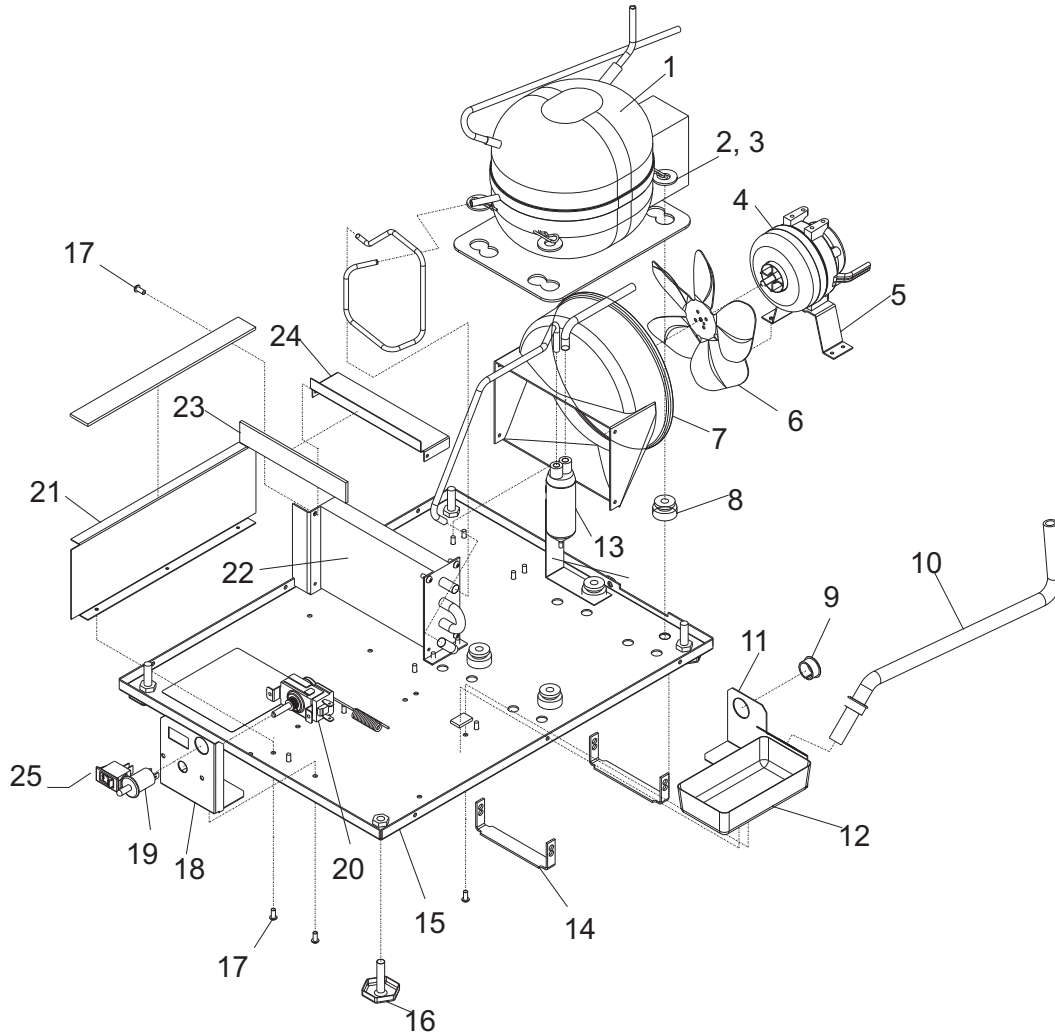
Cabinet Back



| Item Number | Part Number | Description |
|-------------|-------------|-------------------------|
| 1 | no number | Cabinet w/liner |
| 2 | 02-3256-01 | Insulation pack |
| 3 | A35546-001 | Back cover |
| 4 | 03-1404-08 | Screw |
| 5 | A35547-001 | Baffle |
| 6 | 12-1638-17 | Cord |
| 7 | 12-0629-08 | Strain relief |
| 8 | 03-1431-00 | Screw |
| 9 | A38406-001 | Suction line w/cap tube |

SCV32 Service Parts

Condensing Unit & Electrical



| Item Number | Part Number | Description | Item Number | Part Number | Description |
|-------------|-------------|-------------------------|-------------|-------------|----------------|
| 1 | 18-8802-21 | Compressor, incl 1a, 1b | 14 | A29015-001 | Bracket |
| 1a | 18-8802-55 | Overload, relay & cover | 15 | A28921-002 | Base |
| 2 | 03-3821-01 | Hitch pin | 16 | 03-1608-01 | Leg |
| 3 | 03-1407-08 | Washer | 17 | 03-1531-01 | Screw |
| 4 | 12-2927-01 | Fan motor | 18 | A38407-001 | Bracket |
| 5 | A28798-001 | Bracket | 19 | 12-2886-01 | Plunger Switch |
| 6 | 02-4197-01 | Fan blade | 20 | 11-0547-21 | Thermostat |
| 7 | 02-2871-01 | Shroud | 21 | A35495-001 | Panel |
| 8 | 18-8861-01 | Mounting grommet | 22 | 18-8712-01 | Condenser |
| 9 | 12-1213-10 | Snap bushing | 23 | 19-0503-02 | Ins tape |
| 10 | 13-0674-02 | Drain tubing, 1 unit | 24 | A35512-001 | Baffle |
| 12 | 02-3984-01 | Drain pan | 25 | 12-2885-01 | Rocker Switch |
| 13 | 02-3490-01 | Drier | | | |

SCV32 Service Parts

Wiring Diagram

