

C0330, C0530, C0630, C0830, C1030 Service Parts

This part list contains the service parts for the air cooled, water cooled and remote air cooled C0330, C0530, C0630, C0830, C1030 ice machines.

There was a change to panels and the C0530 air cooled condenser in late 2009. Those are designated as B series units.

To avoid costly and time consuming errors, double check the model and voltage before ordering a part.

Note: These abbreviations are used in this list:

- AC = Air Cooled
- WC = Water Cooled
- RC = Remote Cooled
- HGV = Hot Gas Valve
- TXV = Thermostatic Expansion Valve
- Volt = Voltage
- Sol Vlv = Solenoid Valve
- Hdwe = Hardware

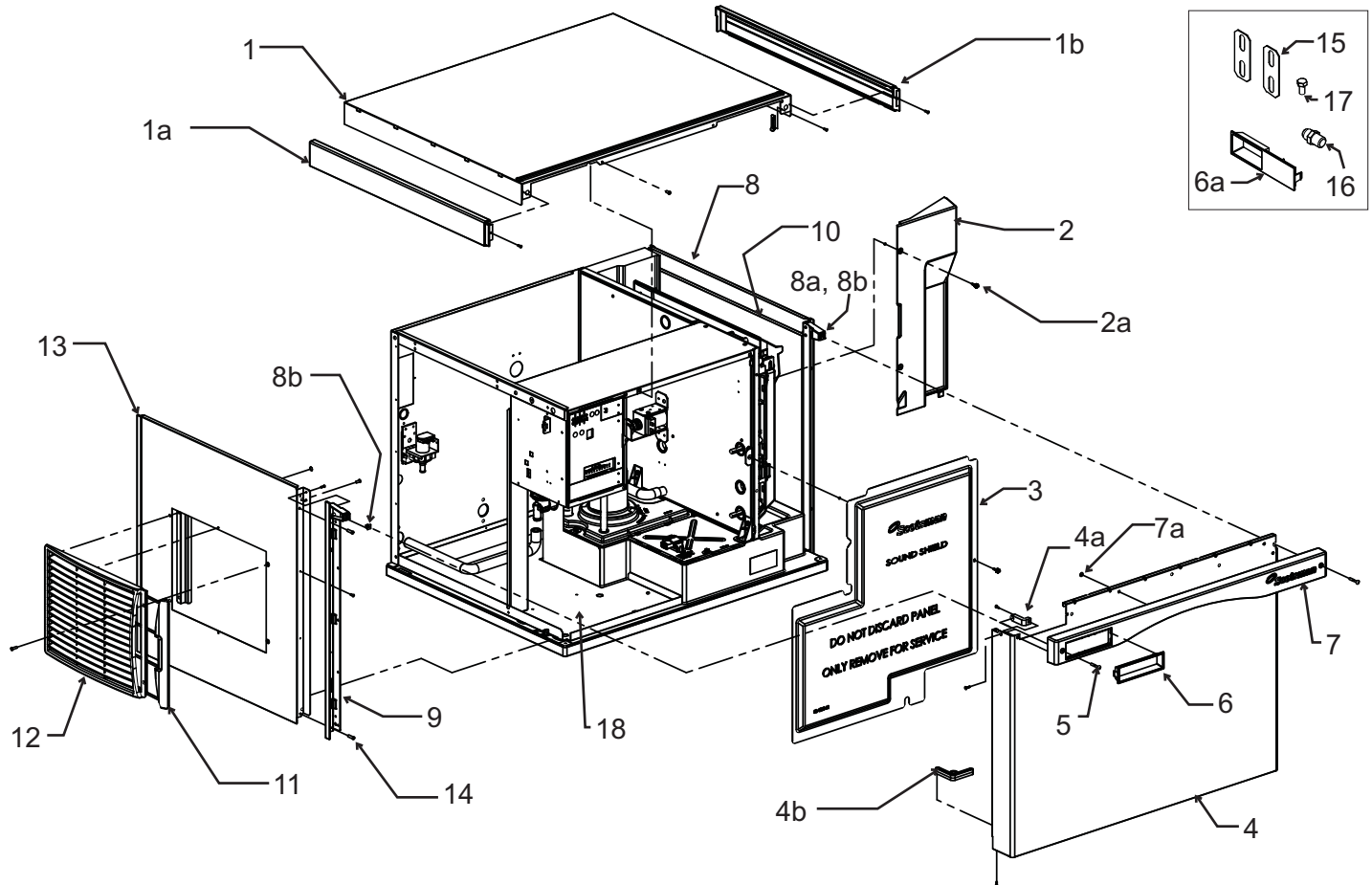
Table of Contents

| | |
|---|---------|
| Cabinet - C0330, C0530, C0630 - <u>A Series</u> | Page 2 |
| Cabinet - C0330, C0530, C0630 - <u>B Series</u> | Page 3 |
| Cabinet - C0830, C1030 - <u>A Series</u> | Page 4 |
| Cabinet - C0830, C1030 - <u>B Series</u> | Page 5 |
| Interior Parts | Page 6 |
| Evaporator Compartment | Page 7 |
| Air Cooled Refrigeration System | Page 8 |
| Air Cooled Mechanical & Electrical - C0330 | Page 9 |
| Air Cooled Mechanical & Electrical - C0530, C0630, C0830, C1030 | Page 10 |
| Water Cooled Refrigeration System | Page 11 |
| Remote Refrigeration System | Page 12 |
| Electrical & Control Box | Page 13 |
| Compressors | Page 14 |
| Compressor Mounting Hardware | Page 14 |
| Crankcase Heaters | Page 14 |
| Remote Condenser, ERC111, ERC211, and ERC311 | Page 15 |

Scotsman
800-533-6006
www.scotsman-ice.com

C0330, C0530, C0630, C0830, C1030 Service Parts

Cabinet - C0330, C0530, C0630 - A Series

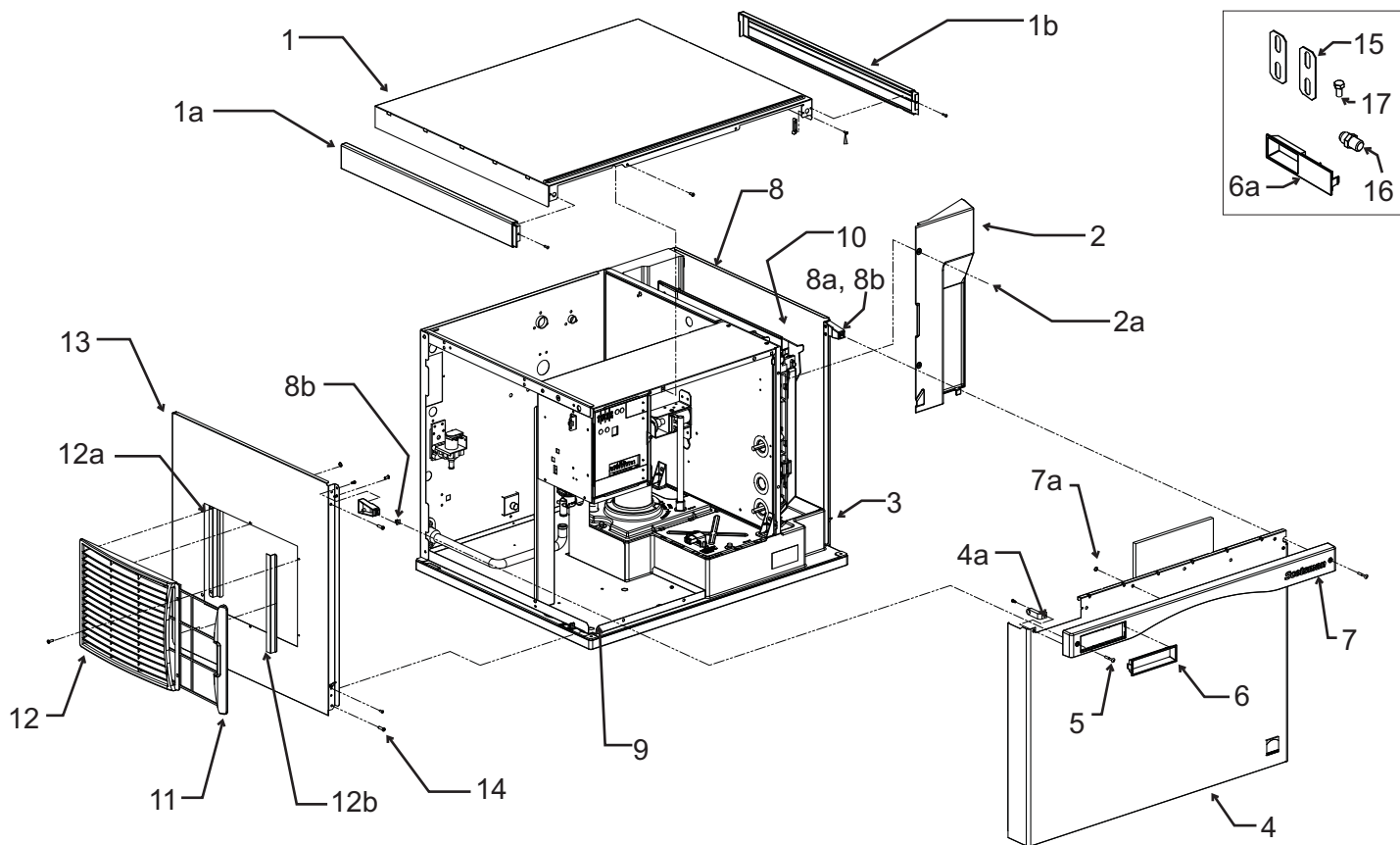


| Item Number | Part Number | Description | Item Number | Part Number | Description |
|-------------|-------------|--|-------------|--|---|
| 1* | A38941-022 | Top panel, w/trim strips | 8a | 02-4215-01 | Receptacle |
| 1a | 02-4221-01 | Left trim strip | 8b | 03-3804-01 | Screw receptacle |
| 1b | 02-4221-02 | Right trim strip | 9 | 02-4067-01 | Side panel support for water cooled and remote models |
| 2 | 02-4240-01 | Evaporator cover | 02-4067-02 | Side panel support for air cooled models | |
| 2a | 03-0727-05 | Screw | 10 | 02-4336-01 | Right side panel liner |
| 3 | 02-4218-01 | Sound shield - use discontinued late 2008 | 11 | 02-4212-01 | Air filter |
| 4* | A38552-022 | Front panel assembly, includes trim strip, gussets and labels. | 12 | 02-4224-01 | Louver panel |
| 4a | 02-4216-01 | Top gusset | 12a | A39222-001 | Filter guide |
| 4b | 02-4217-01 | Bottom gusset | 12b | A39238-001 | Louver bracket |
| 5 | 03-1735-03 | Screw, front panel | 13* | A38551-021 | Left side panel, AC |
| 6 | 02-4284-01 | Bezel, full window | A38551-022 | Left side panel WC, RC | |
| 6a | 02-4284-02 | Bezel, partial window | 14 | 03-1404-12 | Screw |
| 7 | 02-4214-02 | Trim strip | 15 | A30911-015 | Machine straps |
| 7a | 03-1731-02 | Push nut | 16 | 16-0355-00 | Inlet water fitting, flare |
| 8* | A38553-021 | Right side panel assy | 17 | 03-1405-15 | Screw |
| | | | 18 | A38608-001 | Compressor deck |

*Note: All panels supplied complete as used on unit

C0330, C0530, C0630, C0830, C1030 Service Parts

Cabinet - C0330, C0530, C0630 - B Series

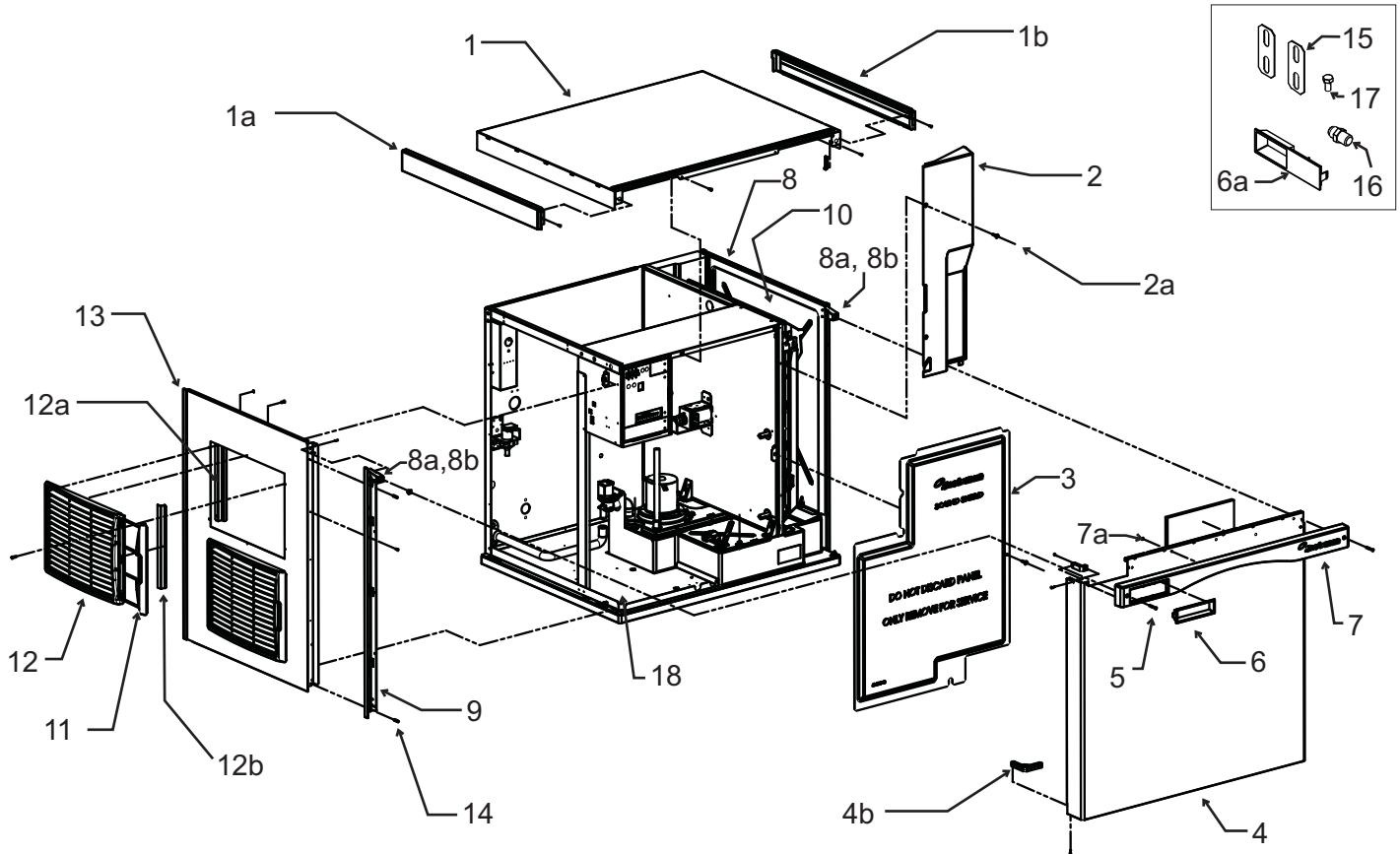


| Item Number | Part Number | Description | Item Number | Part Number | Description |
|-------------|-------------|--|-------------|-------------|----------------------------|
| 1* | A39579-022 | Top panel, w/trim strips | 8b | 03-3804-01 | Screw receptacle |
| 1a | 02-4221-01 | Left trim strip | 9 | A38608-001 | Compressor deck |
| 1b | 02-4221-02 | Right trim strip | 10 | 02-4336-01 | Right side panel liner |
| 2 | 02-4240-01 | Evaporator cover | 11 | 02-4212-01 | Air filter |
| 2a | 03-0727-05 | Screw | 12 | 02-4224-01 | Louver panel |
| 3 | A39571-001 | Side panel clip | 12a | A39222-001 | Filter guide |
| 4* | A39578-022 | Front panel assembly, includes trim strip, gussets and labels. | 12b | A39238-001 | Louver bracket |
| 4a | 02-4216-01 | Top gusset | 13* | A39580-021 | Left side panel, AC |
| 5 | 03-1735-03 | Screw, front panel | | A39580-022 | Left side panel WC, RC |
| 6 | 02-4284-01 | Bezel, full window | 14 | 03-1404-12 | Screw |
| 6a | 02-4284-02 | Bezel, partial window | 15 | A30911-015 | Machine straps |
| 7 | 02-4214-02 | Trim strip | 16 | 16-0355-00 | Inlet water fitting, flare |
| 7a | 03-1731-02 | Push nut | 17 | 03-1405-15 | Screw |
| 8* | A39581-021 | Right side panel assy | | | |
| 8a | 02-4215-01 | Receptacle | | | |

*Note: All panels supplied complete as used on unit

C0330, C0530, C0630, C0830, C1030 Service Parts

Cabinet - C0830, C1030 - A Series

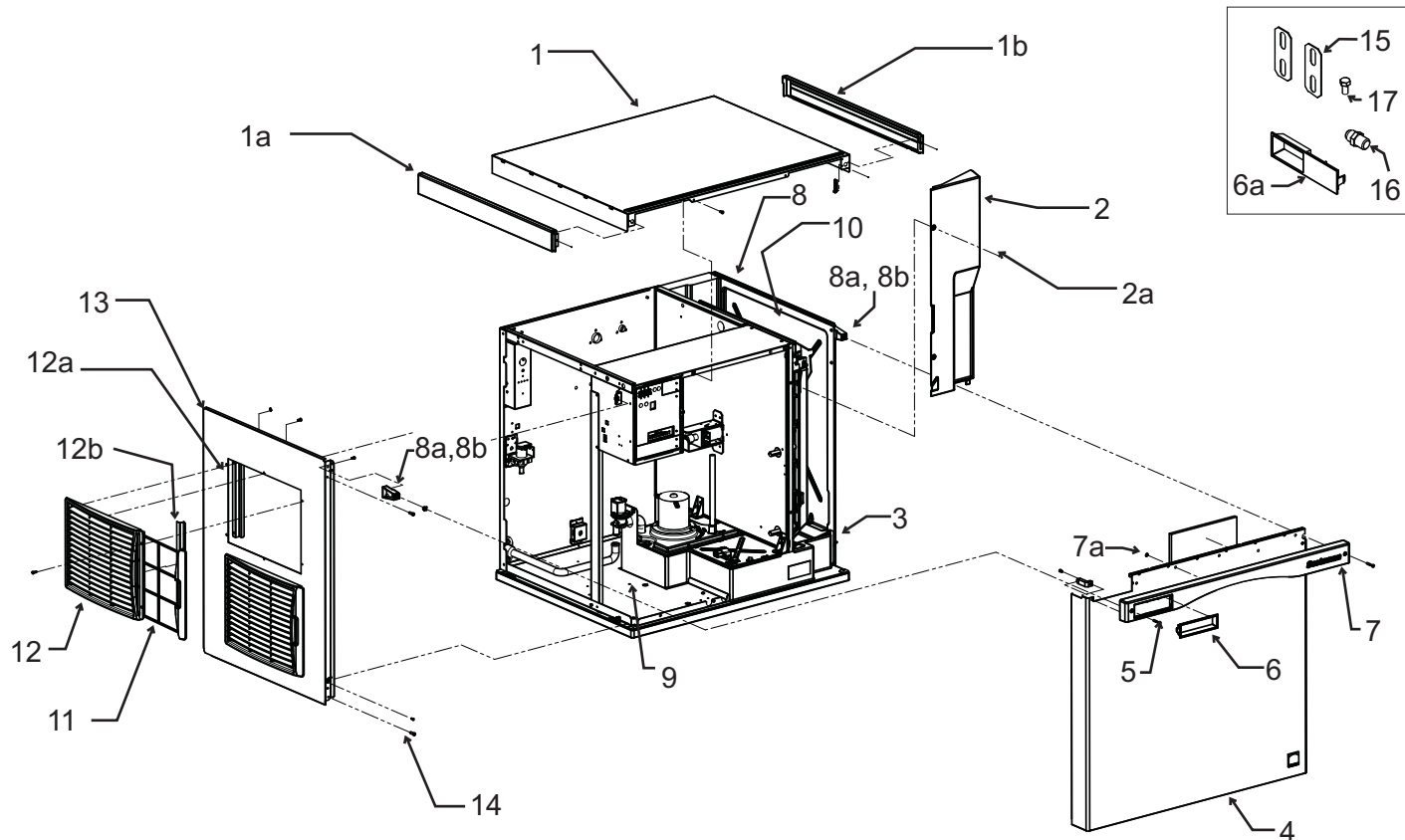


| Item Number | Part Number | Description |
|-------------|-------------|--|
| 1* | A38941-022 | Top panel, w/trim strips |
| 1a | 02-4221-01 | Left trim strip |
| 1b | 02-4221-02 | Right trim strip |
| 2 | 02-4240-02 | Evaporator cover |
| 2a | 03-0727-05 | Screw |
| 3 | 02-4218-02 | Sound shield - use discontinued late 2008 |
| 4* | A38552-023 | Front panel assembly, includes trim strip, gussets and labels. |
| 4a | 02-4216-01 | Top gusset |
| 4b | 02-4217-01 | Bottom gusset |
| 5 | 03-1735-03 | Screw, front panel |
| 6 | 02-4284-01 | Bezel, full window |
| 6a | 02-4284-02 | Bezel, partial window |
| 7 | 02-4214-02 | Trim strip |
| | 03-1731-02 | Push nut |
| 8* | A38553-022 | Right side panel assy |
| 8a | 02-4215-01 | Receptacle |
| 8b | 03-3804-01 | Screw receptacle |
| 9 | 02-4067-03 | Side panel support for water cooled and remote models |
| | 02-4067-04 | Side panel support for air cooled models |
| 10 | 02-4336-02 | Right side panel liner |
| 11 | 02-4212-01 | Air filter |
| 12 | 02-4224-01 | Louver panel |
| 12a | A39222-001 | Filter guide |
| 12b | A39238-001 | Louver bracket |
| 13* | A38551-023 | Left side panel, AC |
| | A38551-024 | Left side panel WC, RC |
| 14 | 03-1404-12 | Screw |
| 15 | A30911-015 | Machine straps |
| 16 | 16-0355-00 | Inlet water fitting, flare |
| 17 | 03-1405-15 | Screw |
| 18 | A38611-001 | Compressor deck |

*Note: All panels supplied complete as used on unit.

C0330, C0530, C0630, C0830, C1030 Service Parts

Cabinet - C0830, C1030 - B Series

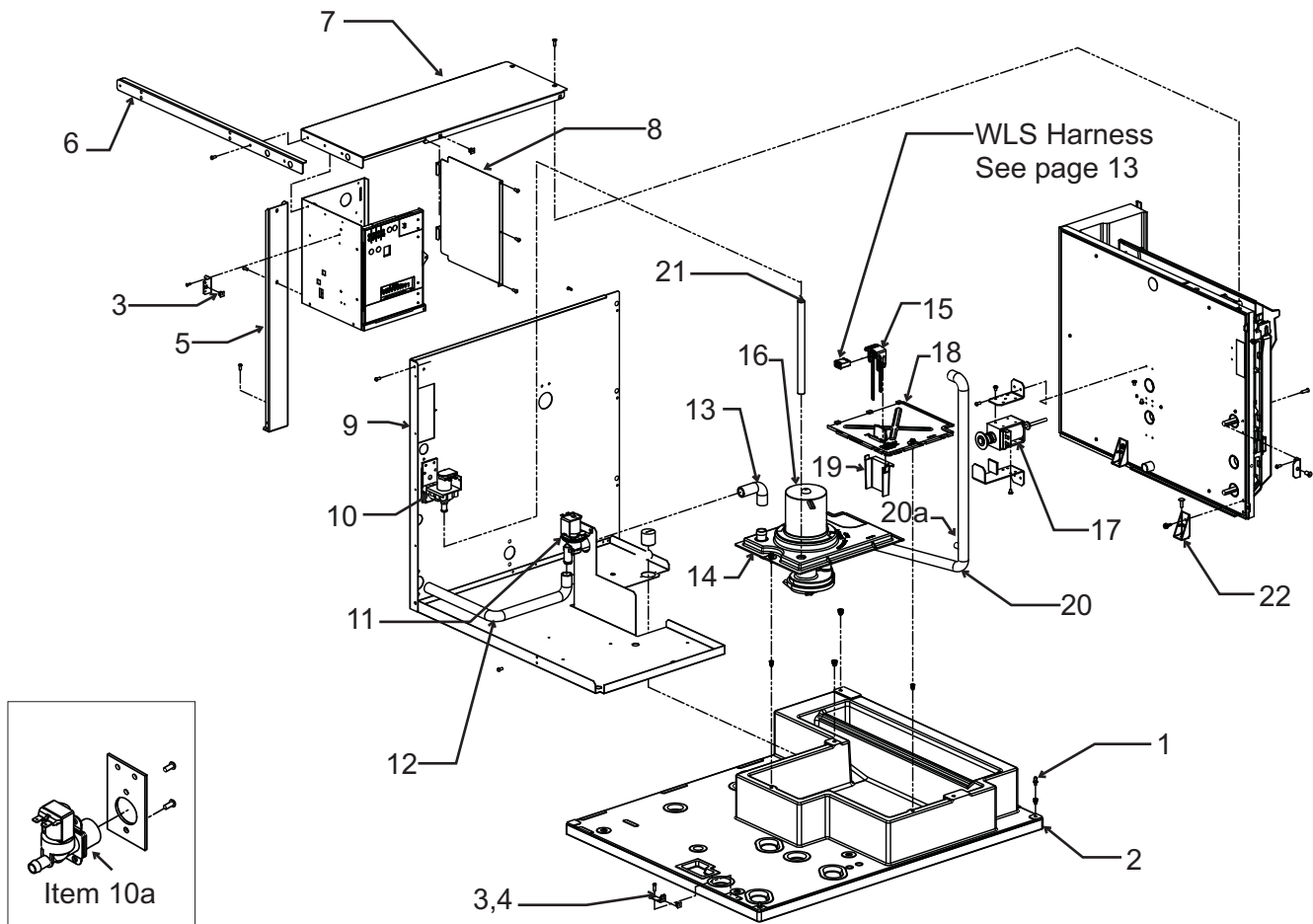


| Item Number | Part Number | Description | Item Number | Part Number | Description |
|-------------|-------------|--|-------------|-------------|----------------------------|
| 1* | A39579-022 | Top panel, w/trim strips | 8a | 02-4215-01 | Receptacle |
| 1a | 02-4221-01 | Left trim strip | 8b | 03-3804-01 | Screw receptacle |
| 1b | 02-4221-02 | Right trim strip | 9 | A38611-001 | Compressor deck |
| 2 | 02-4240-02 | Evaporator cover | 10 | 02-4336-02 | Right side panel liner |
| 2a | 03-0727-05 | Screw | 11 | 02-4212-01 | Air filter |
| 3 | A39571-001 | Side panel clip | 12 | 02-4224-01 | Louver panel |
| 4* | A39578-023 | Front panel assembly, includes trim strip, gussets and labels. | 12a | A39222-001 | Filter guide |
| 4a | 02-4216-01 | Top gusset | 12b | A39238-001 | Louver bracket |
| 5 | 03-1735-03 | Screw, front panel | 13* | A39580-023 | Left side panel, AC |
| 6 | 02-4284-01 | Bezel, full window | | A39580-024 | Left side panel WC, RC |
| 6a | 02-4284-02 | Bezel, partial window | 14 | 03-1404-12 | Screw |
| 7 | 02-4214-02 | Trim strip | 15 | A30911-015 | Machine straps |
| | 03-1731-02 | Push nut | 16 | 16-0355-00 | Inlet water fitting, flare |
| 8* | A39581-022 | Right side panel assy | 17 | 03-1405-15 | Screw |

*Note: All panels supplied complete as used on unit.

C0330, C0530, C0630, C0830, C1030 Service Parts

Interior Parts



| Item Number | Part Number | Description |
|-------------|---------------------------------------|-------------------------------|
| 1 | 15-0411-00 | Strike |
| 2 | A38589-002 | Base, insulated |
| 3 | 03-3804-01 | Receptacle |
| 4 | A38732-001 | Side panel mount |
| 5 | A38607-001 | Strut, C0330-630 |
| | A38629-001 | Strut, C0830, C1030 |
| 6 | A38582-001 | Brace |
| 7 | A38539-002 | Control box top |
| 8 | A38537-001 | Control box side |
| 9 | see pages 7, 9 and 10 for back panels | |
| 10 | 12-2922-01 | Inlet water sol vlv, 115 volt |
| | 12-2922-02 | Inlet water sol vlv, 230 volt |
| | 12-2912-01 | Water valve rebuild kit |
| 10a | 11-0568-02 | Inlet water sol vlv, CE mod |
| 11 | 11-0564-01 | Purge valve, 115 volt |
| | 11-0564-02 | Purge valve, 230 volt |
| 12 | A38860-002 | Drain tube |
| 13 | A38860-001 | Drain hose |
| 14 | 02-4164-01 | Water pump bracket |
| 15 | A39030-021 | Water level sensor |

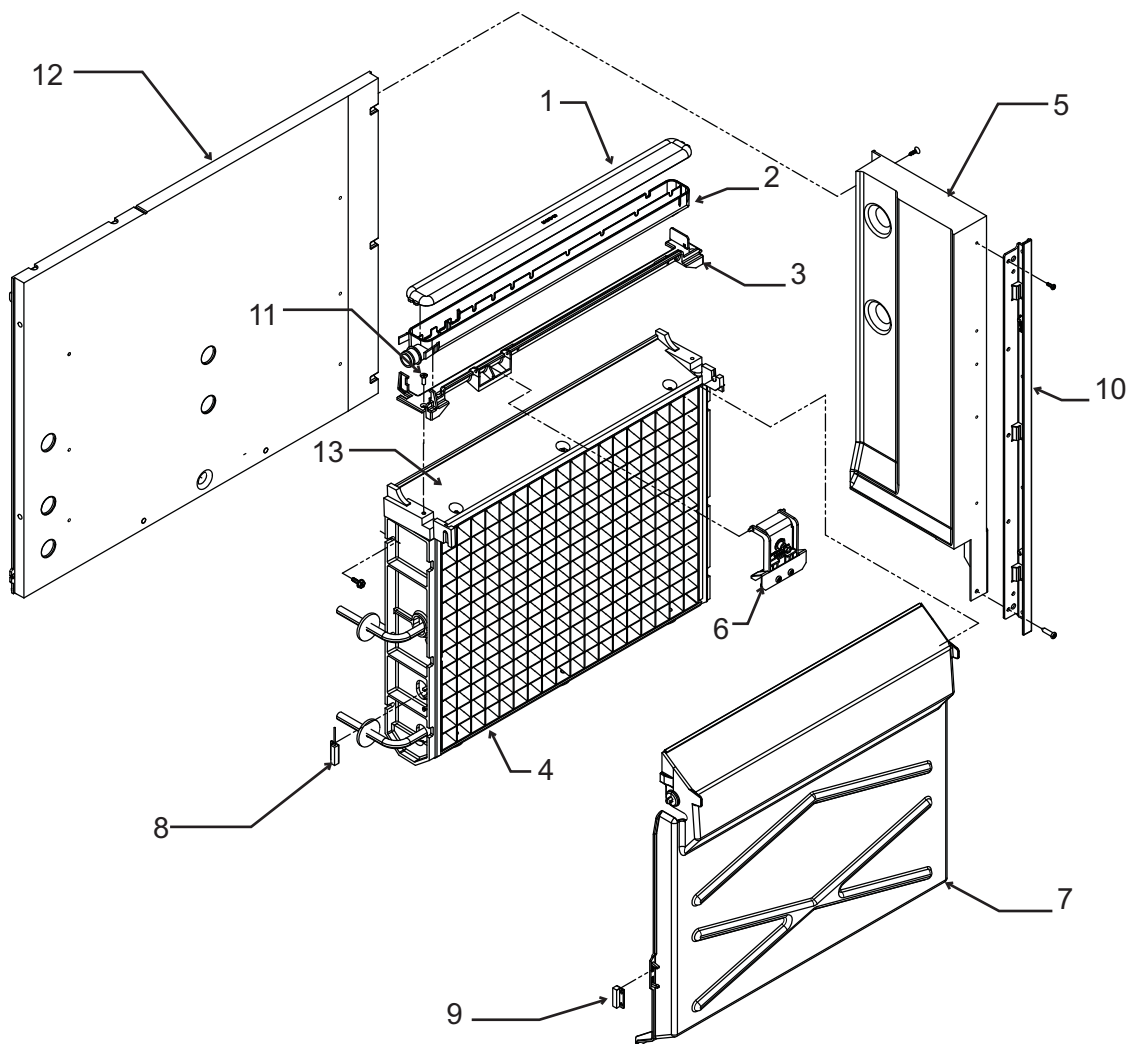
| 16 | see table | Water pumps |
|--------------|------------|-------------|
| Pumps | 115 | 208-230 |
| C0330, C0530 | 12-2919-21 | 12-2919-22 |
| C0630 | - | 12-2919-22 |
| C0830, C1030 | - | 12-2920-23 |

| 17 | see table | Harvest assist solenoid |
|-----------------|------------|-------------------------|
| Hvst. solenoids | 115 | 208-230 |
| C0330, C0530 | 12-3035-21 | 12-3035-22 |
| C0630 | - | 12-3035-22 |
| C0830, C1030 | - | 12-3036-22 |

| | | |
|-----|------------|-------------------------|
| 18 | 02-4166-01 | Reservoir cover |
| 19 | 02-4332-01 | Sensor cover |
| 20 | 02-4154-03 | Pump hose, C0830-C1030 |
| | 02-4154-02 | Pump hose, C0530-C0630 |
| | 02-4154-01 | Pump hose, C0330 |
| 20a | 11-0515-21 | Temp sensor set |
| 21 | 13-0674-02 | Fill hose order by ft |
| | 15-0821-01 | Fill hose, -6 CE models |
| 22 | 02-4152-01 | Gusset |

C0330, C0530, C0630, C0830, C1030 Service Parts

Evaporator Compartment

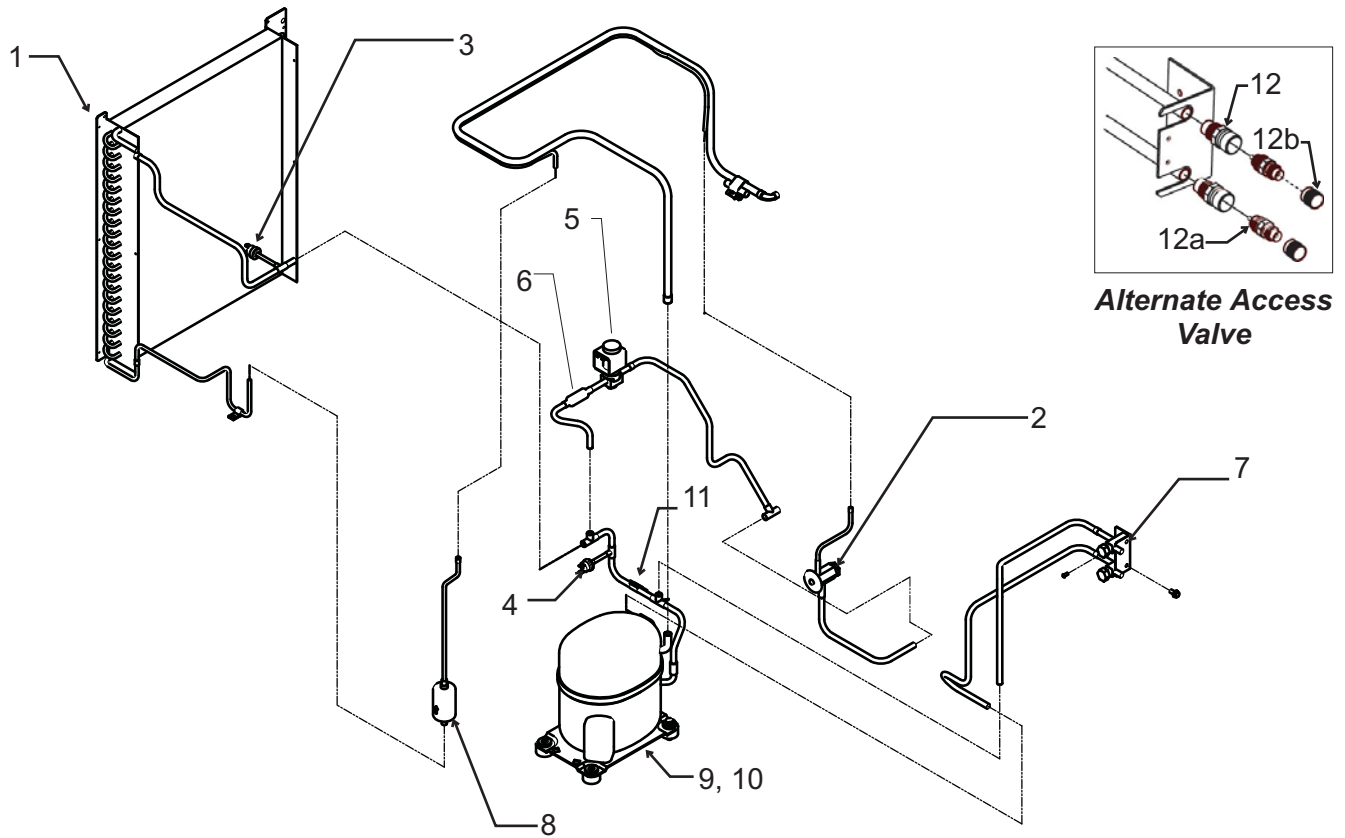


| Item Number | Part Number | Description |
|-------------|-------------|--|
| 1 | 02-4065-01 | Water distributor cover |
| 2 | 02-4064-01 | Water distributor |
| 3 | 02-4205-01 | Mounting bracket |
| 4 | see table | Evaporator |
| 5 | A38596-001 | Back wall, C0330, C0530, C0630 |
| | A38598-001 | Back wall, C0803, C1030 |
| 6 | A39031-021 | Ice thickness sensor |
| 7 | 02-4100-31 | Curtain, C0330 |
| | 02-4100-32 | Curtain, C0530, C0630 |
| | 02-4100-33 | Curtain, C0830, C1030 |
| 8 | 11-0563-01 | Curtain switch |
| 9 | 11-0563-02 | Curtain switch magnet |
| 10 | 02-4067-01 | Side panel support C0330, C0530, C0630 |
| | 02-4067-03 | Side panel support C0830, C1030 |
| 11 | 03-1418-30 | Mounting screw |
| 12 | 13-0943-01 | Gasket tape |
| 13 | 02-4156-21 | Spillway replacement kit |

Note: Item 7 includes item 9, shipped loose.

C0330, C0530, C0630, C0830, C1030 Service Parts

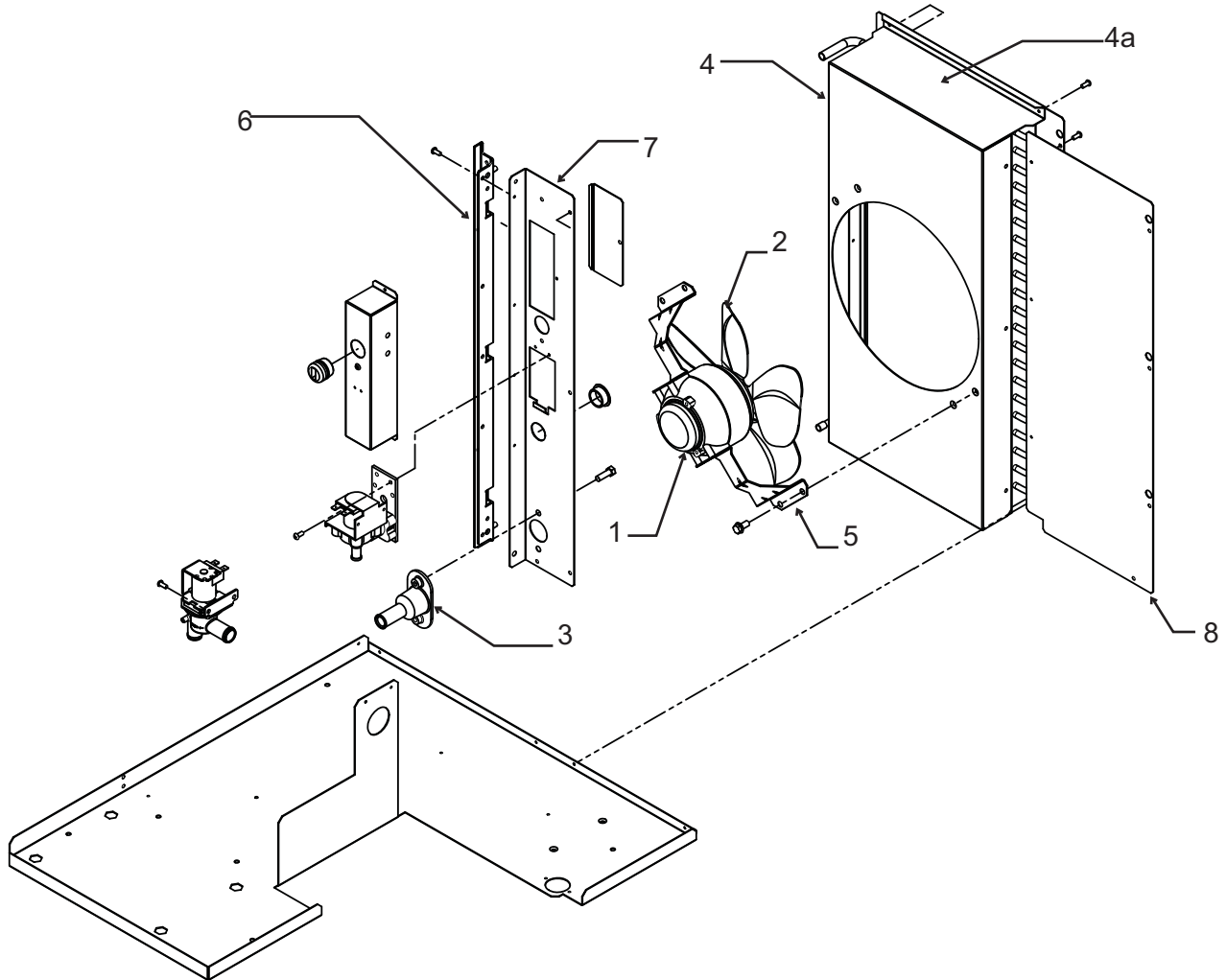
Air Cooled Refrigeration System



| Item Number | Part Number | Description | Item Number | Part Number | Description |
|-------------|-------------|---|-------------|--|-------------------------|
| 1 | 18-8890-01 | Condenser, AC, C0330 | 5 | 11-0493-02 | Hot gas valve, 115 volt |
| | 18-8920-01 | Cond, AC, C0530 - A series | | 12-2719-21 | 115 volt coil |
| | 18-8935-01 | Cond, AC, C0530 - B series | | 11-0493-01 | Hot gas valve, 230 volt |
| | 18-8896-01 | Condenser, AC, C0630 | | 12-2719-22 | 230 volt coil |
| | 18-8895-01 | Condenser, AC, C0830, C1030 | | 12-2733-30 | HGV rebuild kit |
| 2 | 16-1117-21 | TXV, C0530 | 6 | 16-1063-01 | Strainer |
| | 16-1117-22 | TXV, C0630 | 7 | 16-0832-20 | Access valve |
| | 16-1117-23 | TXV, C0330 | | 16-0832-03 | Port cap |
| | 02-3792-01 | Insulation for Alco TXV | | 16-0832-02 | Stem cap |
| | 16-1142-01 | TXV, C0830, C1030 | 8 | 02-3319-01 | Dryer C0330 thru C0630 |
| | 02-4045-01 | insulation Danfoss TXV | | 02-3319-02 | Dryer, C0830 & C1030 |
| 3 | 11-0566-21 | Fan cycle pressure sw. | 9 | see page 12 | Compressors |
| 4 | 11-0501-05 | Hi pressure cut out, C0330, C0530 and C0630 | 10 | see page 12 | Compressor mounting hdw |
| | | | 11 | 11-0515-21 | Temp sensor set |
| | | | | Use of alternate access valve began 4-08 | |
| | | | 12 | 16-1137-01 | Valve body |
| | | | 12a | 16-1139-01 | Core |
| | | | 12b | 16-1140-01 | Cap |

C0330, C0530, C0630, C0830, C1030 Service Parts

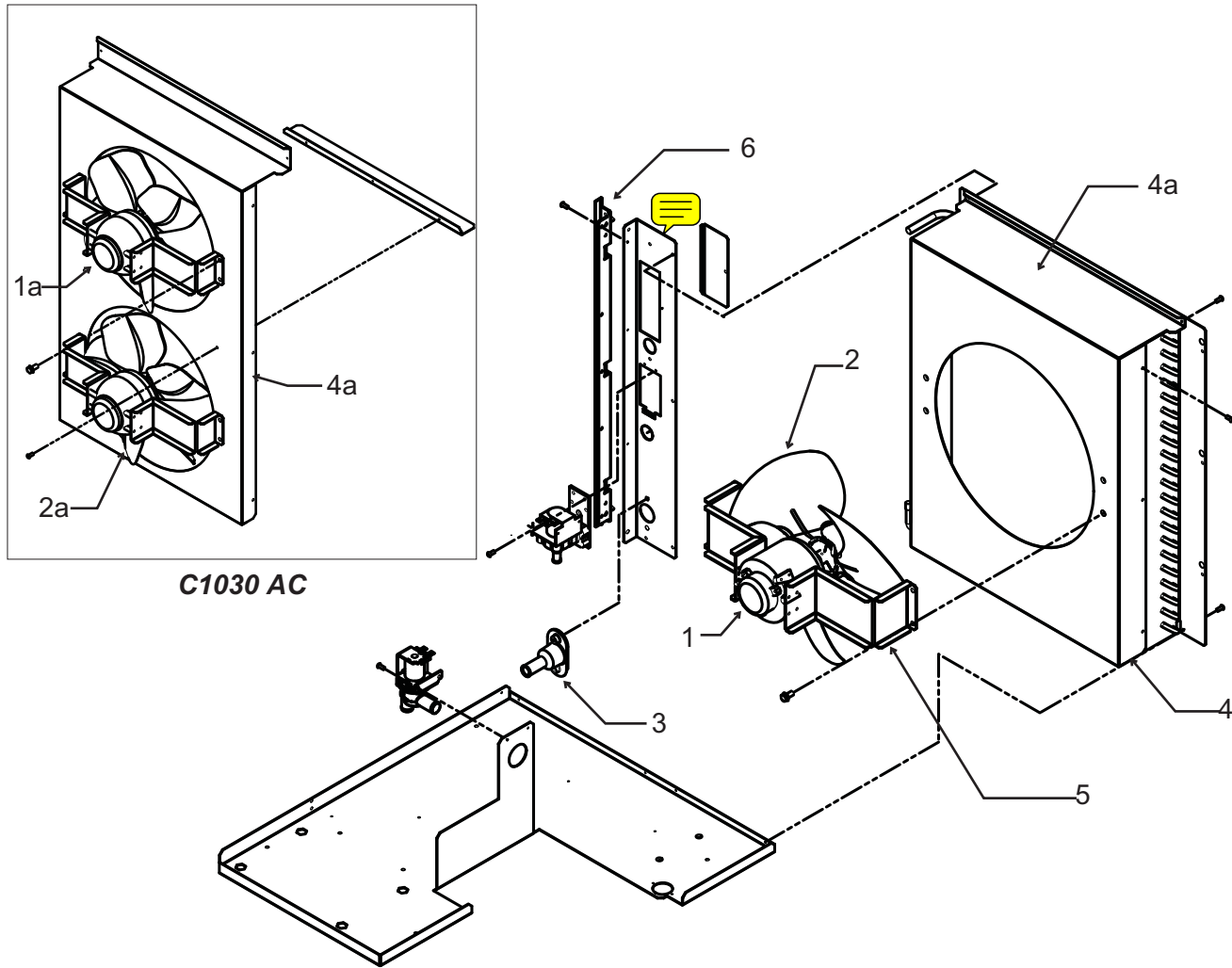
Air Cooled Mechanical & Electrical - C0330



| Item Number | Part Number | Description |
|-------------|-------------|---|
| 1 | 12-1681-23 | Fan motor, C0330, 115 volt |
| | 12-1681-04 | Fan motor, C0330, 230 volt |
| 2 | 18-8836-01 | Fan blade, C0330 |
| 3 | 02-3692-21 | Drain adapter - also for WC and RC |
| 4 | A38841-001 | Fan shroud, C0330 A Series |
| | A39350-001 | Fan shroud, C0330 B Series |
| 4a | A39593-001 | Fan shroud top, B series |
| 5 | A38480-001 | Fan motor bracket, C0330 |
| 6 | 02-4067-02 | Side panel support, C0330, C0530, C0630 |
| 7 | A38791-001 | Utility channel, AC A series |
| | A39586-001 | Utility channel, AC B series |
| 8 | A39606-001 | Back panel, B series |

C0330, C0530, C0630, C0830, C1030 Service Parts

Air Cooled Mechanical & Electrical - C0530, C0630, C0830, C1030

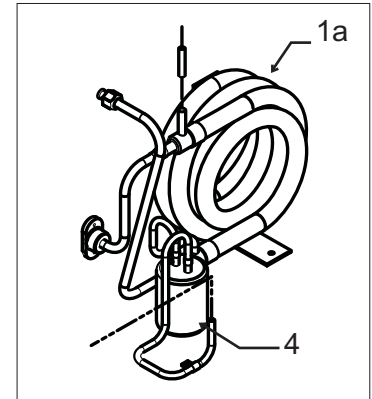
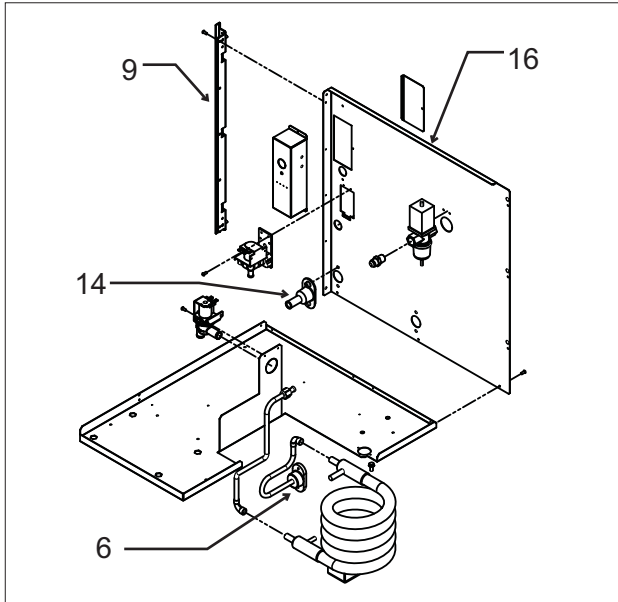


| Item Number | Part Number | Description | Item Number | Part Number | Description |
|-------------|-------------|---|-------------|-------------|--|
| 1 | 18-8926-01 | Fan motor, C0530 115 v | 4a | A39603-001 | Fan shroud - C0830 - B |
| | 18-8927-01 | Fan motor, C0530 230 volt, C0630, C0830 | | A39609-001 | Fan shroud - C1030 - B |
| 1a | 18-8899-01 | Fan motor, C1030 60 Hz | | A39608-001 | Fan shroud top - C0530, C0630 - B series |
| | 18-8899-06 | Fan motor, C1030 50 Hz | | A39601-001 | Shroud top, C0830 B series |
| 2 | 18-8882-01 | Fan blade, C0530/0630/0830 | 5 | A39610-001 | Shroud top, C1030 B series |
| 2a | 18-8900-01 | Fan blade, C1030 | | A38554-001 | Fan motor bracket, C0530, C0630, C0830 |
| 3 | 02-3692-21 | Drain adapter - also for WC and RC | 5a | A38655-001 | Fan motor bracket, C1030 |
| 4 | A38623-001 | Fan shroud - C0530, C0630, C0830 - A series | 6* | 02-4067-02 | Side panel support, C0330, C0530, C0630 |
| | A39607-001 | Fan shroud - C0530, C0630 - B series | | 02-4067-04 | Side panel support, C0830, C1030 |
| | A38624-001 | Fan shroud - C1030 A series | | | |

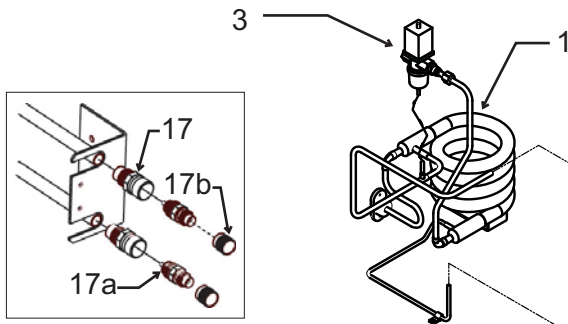
* A series only

C0330, C0530, C0630, C0830, C1030 Service Parts

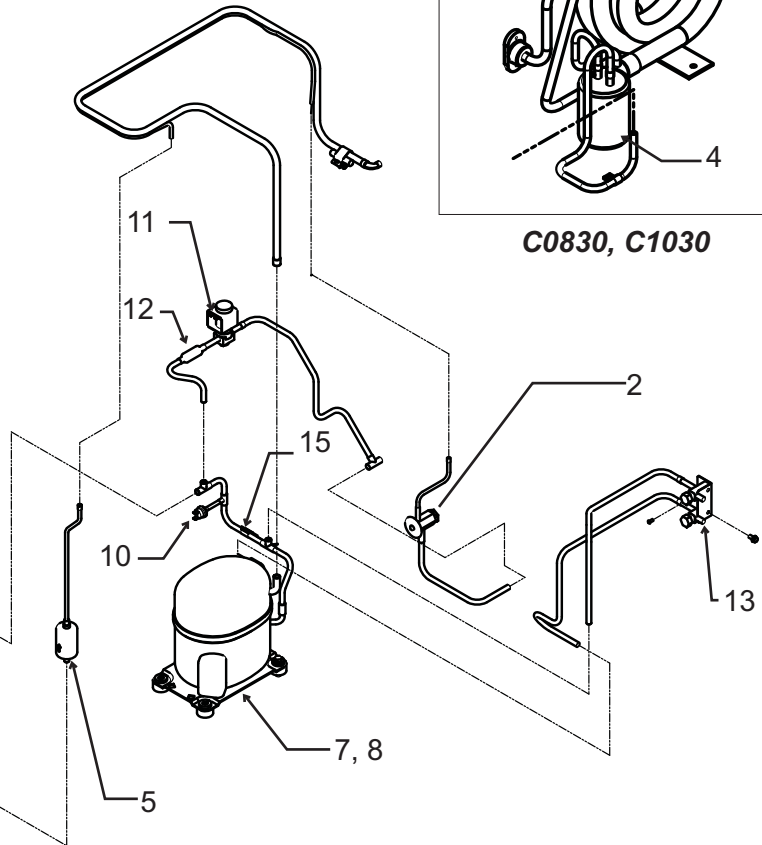
Water Cooled Refrigeration System



C0830, C1030



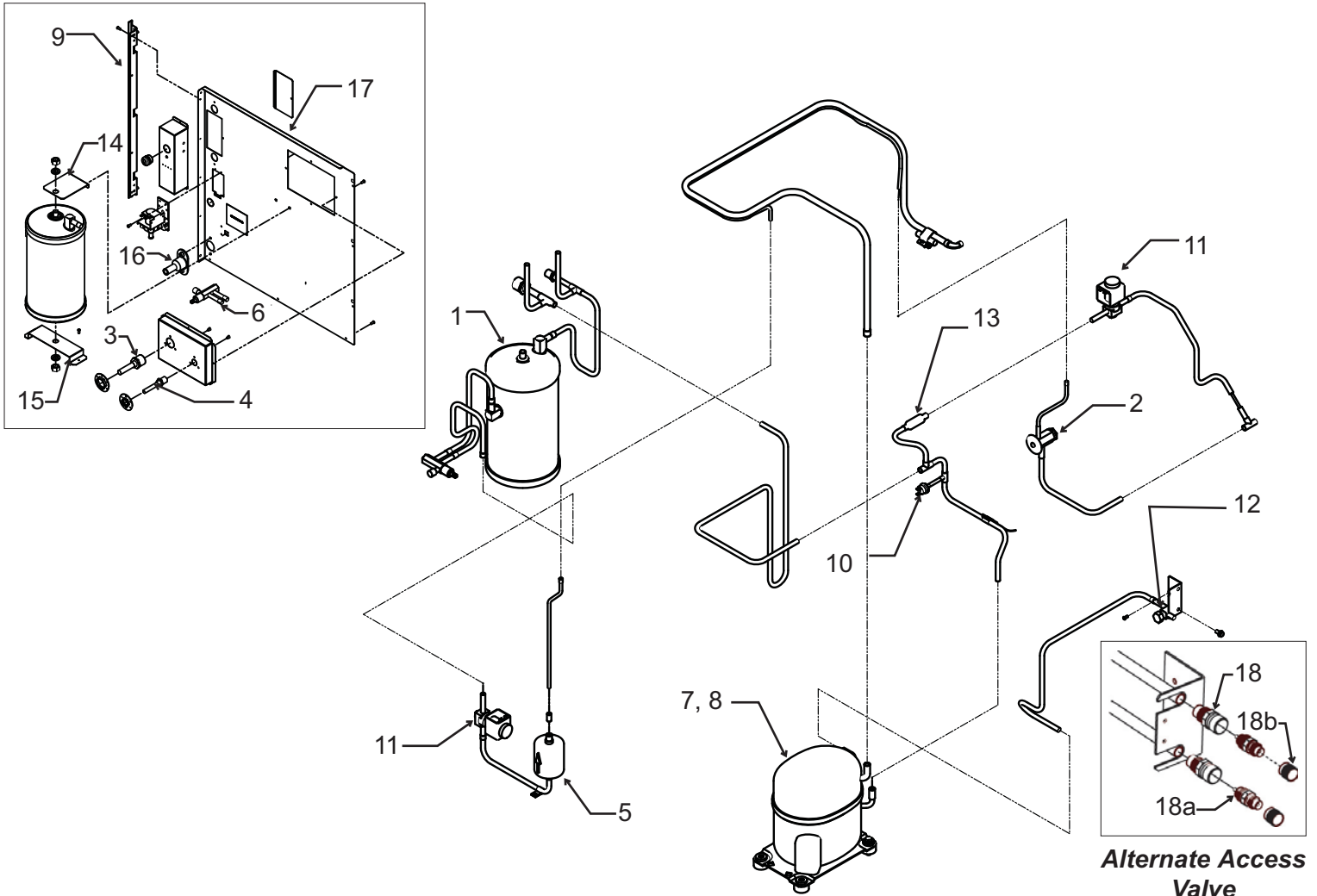
Alternate Access Valve



| Item Number | Part Number | Description |
|-------------|-------------|---|
| 1 | 18-8871-21 | Condenser, WC, C0330, C0530, C0630, C0830 |
| 1a | 18-8893-21 | Condenser, WC, C1030 |
| 2 | 16-1117-21 | TXV, C0530 |
| | 16-1117-22 | TXV, C0630 |
| | 16-1117-23 | TXV, C0330 |
| | 02-3792-01 | Insulation for Alco TXV |
| | 16-1142-01 | TXV, C0830, C1030 |
| | 02-4045-01 | insulation Danfoss TXV |
| 3 | 11-0478-01 | Water regulating valve |
| 4 | 16-0874-01 | Receiver, C0830, C1030 |
| 5 | 02-3319-01 | Dryer, C0330 thru C0630 |
| | 02-3319-02 | Dryer, C0830 - C1030 |
| 6 | A31828-002 | Condenser drain |
| 7 | see page 12 | Compressors |
| 8 | see page 12 | Compressor mounting hwd |
| 9 | 02-4067-01 | Side panel support, C0330, C0530, C0630 - A series only |
| 10 | 11-0501-21 | High pressure cut out |
| 11 | 11-0493-02 | Hot gas valve, 115 volt |
| | 11-0493-01 | Hot gas valve, 230 volt |
| | 12-2719-22 | 230 volt coil |
| | 12-2733-30 | HGV rebuild kit |
| 12 | 16-1063-01 | Strainer |
| 13 | 16-0832-20 | Access valve |
| | 16-0832-03 | Port cap |
| | 16-0832-02 | Stem cap |
| 14 | 02-3692-21 | Drain adapter |
| 15 | 11-0515-21 | Temp sensor set |
| 16 | A38634-001 | Back pnl, WC - A Series 23" |
| | A38625-001 | Back pnl, WC - A Series 29" |
| | A39561-001 | Back pnl, WC - B series 23" |
| | A39573-001 | Back pnl, WC - B Series 29" |
| 17 | 16-1137-01 | Valve body |
| 17a | 16-1139-01 | Core |
| 17b | 16-1140-01 | Cap |

C0330, C0530, C0630, C0830, C1030 Service Parts

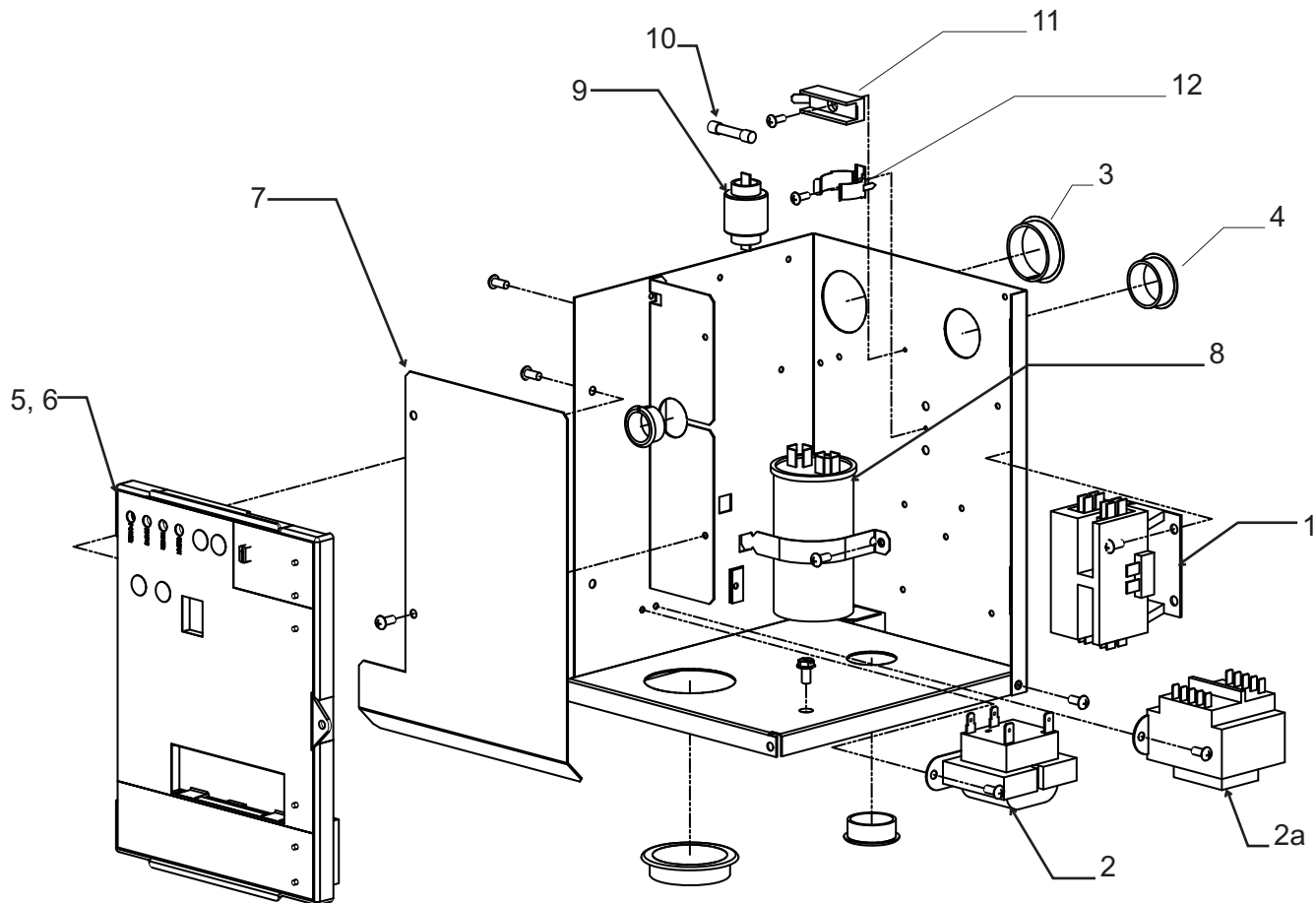
Remote Refrigeration System



| Item Number | Part Number | Description |
|--|-------------|--|
| 1 | 16-1176-01 | Receiver, C0530, C0630 |
| | 16-1175-01 | Receiver, C0830, C1030 |
| 2 | 16-1117-21 | TXV, C0530 |
| | 16-1117-22 | TXV, C0630 |
| | 16-1117-23 | TXV, C0330 |
| | 02-3792-01 | Insulation for Alco TXV |
| | 16-1142-01 | TXV, C0830, C1030 |
| | 02-4045-01 | insulation Danfoss TXV |
| 3 | 16-0850-01 | Discharge quick connect |
| 4 | 16-0850-03 | Liquid quick connect |
| 5 | 02-3319-02 | Drier |
| 6 | 16-1030-01 | Liquid line access valve |
| 7 | see page 12 | Compressors |
| 8 | see page 12 | Compressor mounting hwd |
| 8a | see page 12 | Crankcase heater |
| 9 | 02-4067-01 | Side panel support, C0330, C0530, C0630 - A series |
| | 02-4067-04 | Side panel support, C0830, C1030 - A series |
| 10 | 11-0501-22 | High pressure cut out |
| 11 | 11-0493-02 | Liquid line vlv or HGV, 115 v |
| | 11-0493-01 | Liquid line vlv or HGV, 230 v |
| 12 | 16-0832-20 | Access valve |
| | 16-0832-03 | Port cap |
| | 16-0832-02 | Stem cap |
| 13 | 16-1063-01 | Strainer |
| 14 | A37211-001 | Top receiver bracket |
| 15 | A37212-001 | Bottom receiver bracket |
| 16 | 02-3692-21 | Drain adapter |
| 17 | A38664-001 | Back pnl, RC - A series 23" |
| | A38665-001 | Back pnl, RC - A series 29" |
| | A39561-001 | Back pnl, RC - B series 23" |
| | A39573-001 | Back pnl, RC - B Series 29" |
| Use of alternate access valve began 4-08 | | |
| 18 | 16-1137-01 | Valve body |
| 18a | 16-1139-01 | Core |
| 18b | 16-1140-01 | Cap |

C0330, C0530, C0630, C0830, C1030 Service Parts

Electrical & Control Box



| Item Number | Part Number | Description |
|--|-------------|---|
| 1 | 12-2469-03 | Contactora, 115 volt |
| | 12-2469-02 | Contactora, 230, single ph |
| | 12-2533-02 | Contactora, three phase |
| 2 | 12-2924-01 | Transformer, 115 volt |
| | 12-2924-02 | Transformer, 230 volt |
| 2a | 12-2639-01 | Transformer, 50 Hz |
| 3 | 12-1213-11 | Snap bushing |
| 4 | 12-1213-15 | Snap bushing |
| 5 | 11-0550-27 | Service controller, fits all Prodigy cubers |
| 6 | 02-4076-01 | Control box door |
| | 02-4189-01 | Overlay label |
| 7 | A39216-001 | Barrier |
| 8 | | see next page Run capacitor |
| 9 | | see next page PTCR - |
| 10 | 12-2686-01 | Fuse, 50 Hz only |
| 11 | 12-2687-01 | Fuse holder |
| 12 | 18-8835-02 | Bracket |
| Wiring Harnesses (not illustrated) | | |
| 13 | 12-2931-01 | Power harness, A & W |
| | 12-2931-02 | Power harness, Remote |
| Power harness connects to J1 on controller | | |
| 14 | 12-2932-01 | Hi voltage harness, A & W |
| | 12-2933-01 | Hi voltage harness, Rem |
| | 12-2971-01 | Hi voltage, 50 Hz A & W |
| Hi voltage harness has the 8 pin connector | | |
| 15 | 12-2928-01 | WLS harness |

C0330, C0530, C0630, C0830, C1030 Service Parts

Compressors

| Model | Electrical | Compressor | Overload | Run Capacitor | PTCR |
|----------|--------------|------------|------------|---------------|------------|
| C0330-1 | 115/60/1 | 18-8897-21 | 18-8897-23 | 18-1902-53 | 18-8835-01 |
| C0330-6 | 230/50 | 18-8897-26 | 18-8897-28 | 18-1902-57 | 18-8835-01 |
| C0330-32 | 208-230/60/1 | 18-8897-22 | 18-8897-27 | 18-1902-57 | 18-8835-01 |
| C0530-1 | 115/60/1 | 18-8921-21 | 18-8921-23 | 18-1902-45 | 18-8835-01 |
| C0530-6 | 230/50 | 18-8921-26 | 18-8774-27 | 18-1902-52 | 18-8835-01 |
| C0530-32 | 208-230/60/1 | 18-8921-22 | 18-8774-28 | 18-1902-52 | 18-8835-01 |
| C0630-32 | 208-230/60/1 | 18-8922-22 | 18-8922-27 | 18-1902-57 | 18-8835-01 |
| C0630-6 | 230/50 | 18-8922-26 | internal | 18-1902-56 | 18-8835-01 |
| C0830-32 | 208-230/60/1 | 18-8813-23 | internal | 18-1902-53 | 18-8835-01 |
| C0830-6 | 230/50 | 18-8813-27 | internal | 18-1902-53 | 18-8835-01 |
| C0830-3 | 208-230/60/3 | 18-8813-25 | internal | - | - |
| C1030-32 | 208-230/60/1 | 18-8726-23 | internal | 18-1902-53 | 18-8835-01 |
| C1030-6 | 230/50 | 18-8726-27 | internal | 18-1902-53 | 18-8835-01 |
| C1030-3 | 208-230/60/3 | 18-8726-25 | internal | - | - |

Note: Service compressors include run capacitor, overload and PTCR

Compressor Mounting Hardware

| Model | Bolt | Washer | Grommet | Sleeve |
|-------|------------|------------|------------|------------|
| C0330 | 03-1405-20 | 03-1407-07 | 18-4700-28 | 18-0108-41 |
| C0530 | 03-1405-20 | 03-1407-07 | 18-4700-28 | 18-0108-41 |
| C0630 | 03-1405-20 | 03-1407-07 | 18-4700-28 | 18-0108-41 |
| C0830 | 03-1405-20 | 03-1407-07 | 18-2300-27 | 18-2300-26 |
| C1030 | 03-1405-20 | 03-1407-07 | 18-2300-27 | 18-2300-26 |

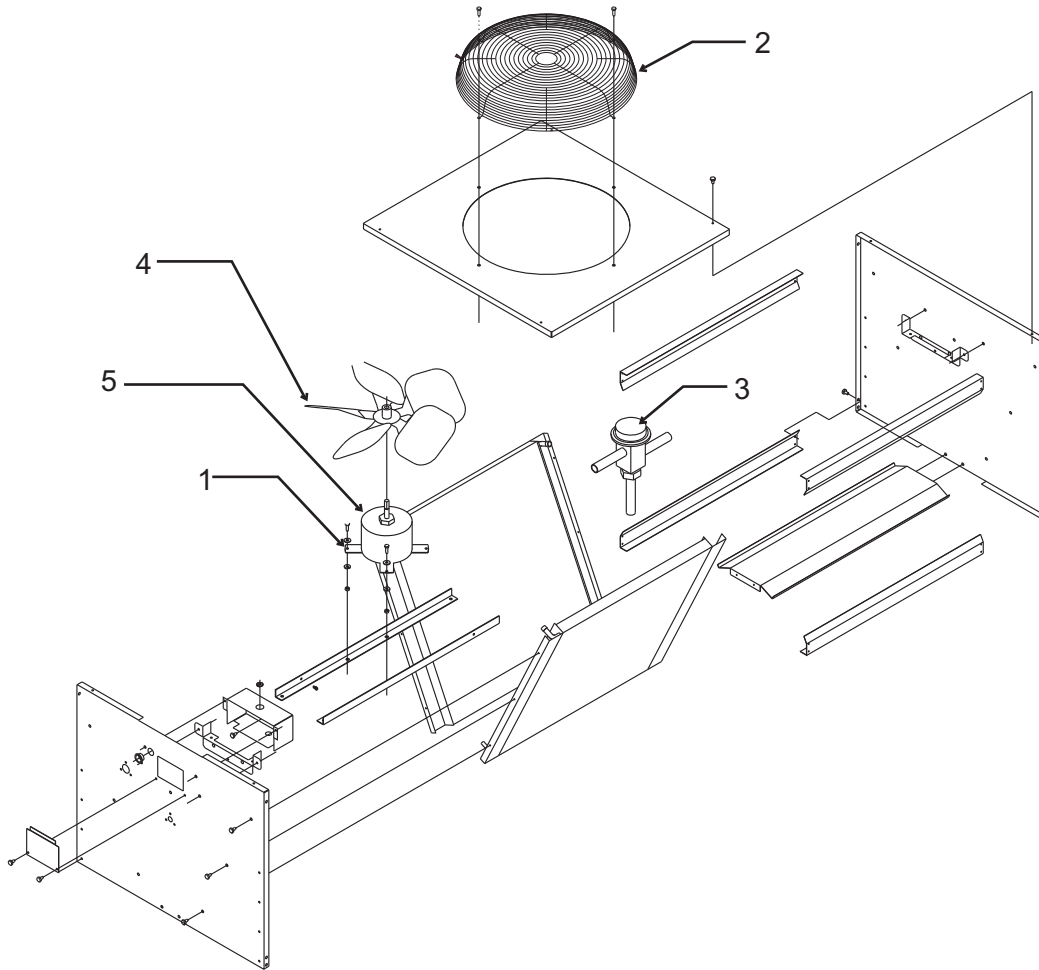
Crankcase Heaters

| Model | Crankcase heater |
|--------|------------------|
| C0530R | 12-2942-01 |
| C0630R | 12-2942-02 |
| C0830R | 18-2308-01 |
| C1030R | 18-2308-01 |

* Included with replacement compressor

C0330, C0530, C0630, C0830, C1030 Service Parts

Remote Condenser, ERC111, ERC211, and ERC311



| Item Number | Part Number | Description |
|-------------|-------------|--|
| 1 | 03-1405-08 | Screw |
| 2 | 02-3575-01 | Fan guard |
| 3 | 11-0422-22 | Headmaster |
| 4 | 18-8816-01 | Fan blade |
| 5 | 12-2651-01 | Fan motor - 230 volt (ERC311) |
| | 12-2651-02 | Fan motor - 115 volt (ERC111 and ERC211) |

Not Shown:

- A37169-001 Leg
- A37170-001 Leg brace
- 03-1645-01 Screw for legs
- 16-0850-01 Quick connect, discharge
- 16-0850-03 Quick connect, liquid