

Prodigy Eclipse 600, 800, 1000 Service Parts

This part list contains the service parts for the Eclipse 600, 800 and 1000 systems.

The B series references changes to panels.

The models that are covered include:

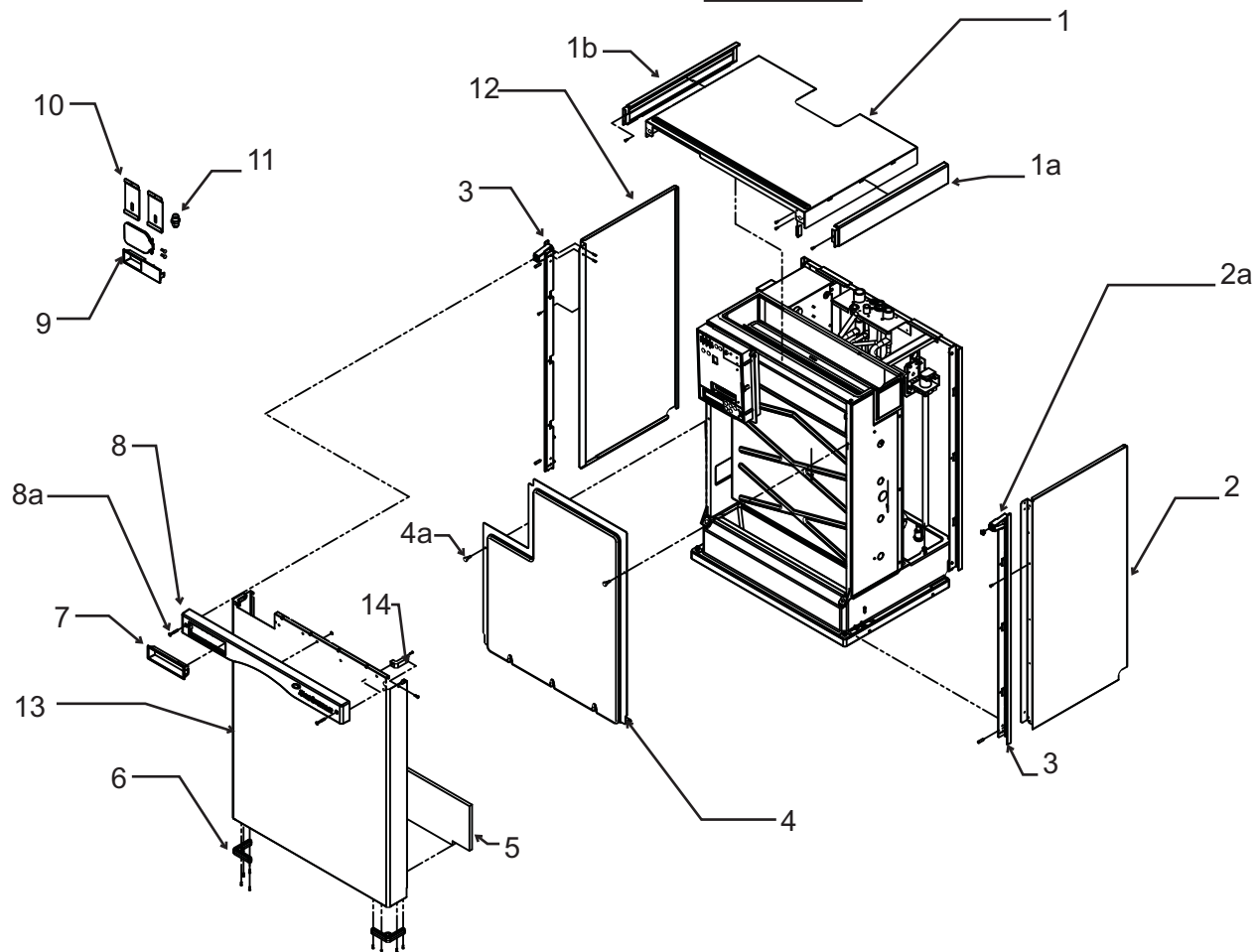
- EH222
- C0600CP
- C0800CP
- C1410CP
- ERC680
- ERC1086
- ER2C6810

Table of Contents

| | |
|---|---------|
| EH222 Cabinet - A Series | Page 2 |
| EH222 Cabinet - B Series | Page 3 |
| Back Panel Assembly | Page 4 |
| EH222 Interior Parts | Page 5 |
| EH222 Water System | Page 6 |
| EH222 Refrigeration | Page 7 |
| EH222 Electrical | Page 8 |
| C0600CP, C0800CP and C1410CP Cabinet | Page 9 |
| C0600CP, C0800CP and C1410CP Refrigeration Systems | Page 10 |
| Compressors | Page 11 |
| C0600CP, C0800CP and C1410CP Control Box | Page 12 |
| Remote Condensers | Page 13 |
| EH222 Schematic Diagram | Page 14 |
| EH222 Wiring Diagram | Page 15 |
| C0600CP, C0800CP and C1410CP Single Phase Schematic Diagram | Page 16 |
| C0600CP, C0800CP and C1410CP Single Phase Wiring Diagram | Page 17 |
| C0600CP, C0800CP and C1410CP Three Phase Wiring Diagram | Page 18 |
| C0600CP, C0800CP and C1410CP Three Phase Schematic Diagram | Page 19 |

Prodigy Eclipse 600, 800, 1000 Service Parts

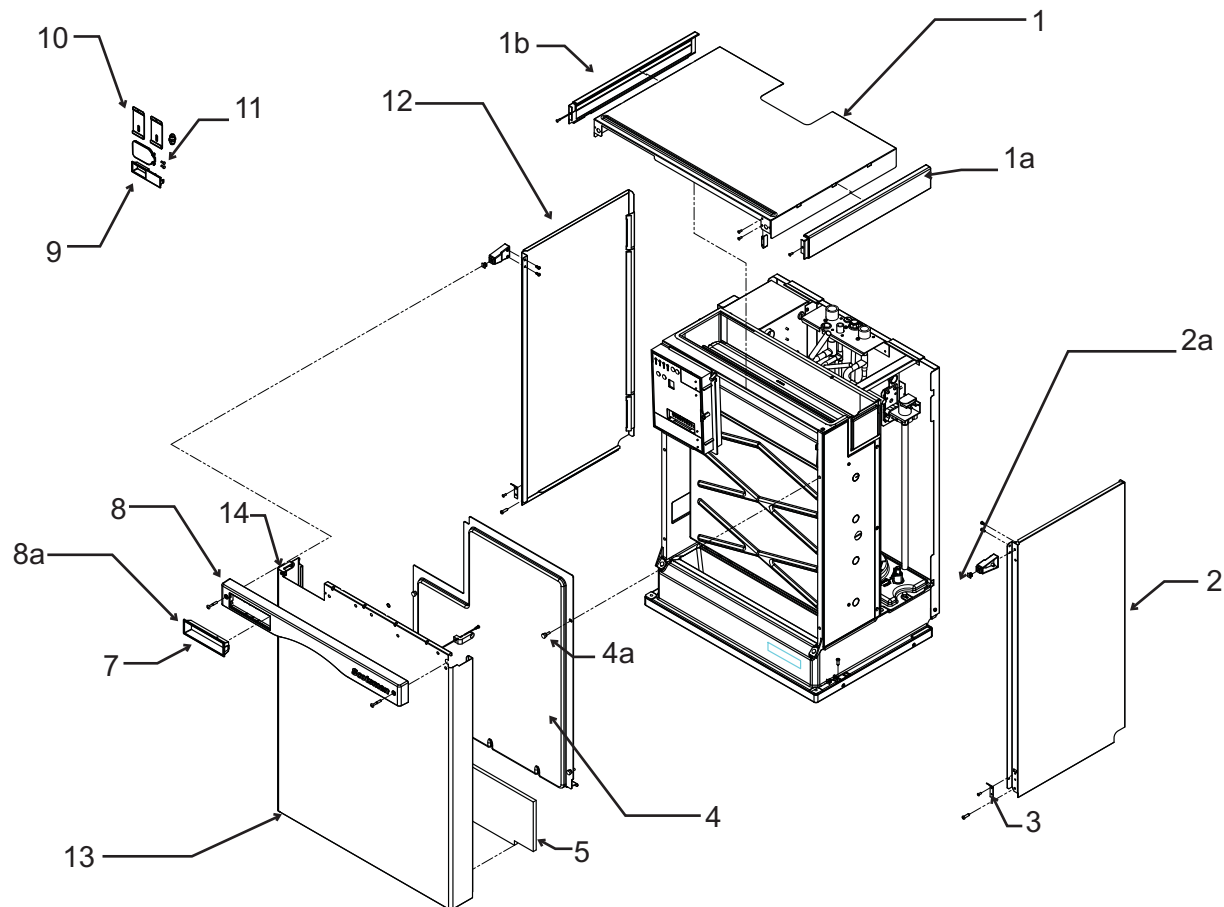
EH222 Cabinet - A Series



| Item Number | Part Number | Description | Item Number | Part Number | Description |
|-------------|-------------|-----------------------------------|-------------|-------------|---|
| 1 | A39074-021 | Top panel | 7 | 02-4284-01 | Bezel, full window |
| 1a | 02-4221-04 | Trim strip | 8 | 02-4214-01 | Trim strip |
| 1b | 02-4221-03 | Trim strip | 8a | 03-1735-03 | Screw |
| 2 | A38553-023 | Right side panel, includes item 3 | 9 | 02-4284-02 | Bezel, partial window |
| 3 | 02-4067-03 | Side panel support | 10 | A39209-001 | Machine strap |
| 4 | 02-4341-01 | Evaporator cover | 11 | 16-1036-01 | Flare union |
| 4a | 03-0727-05 | Thumb screw | 12 | A38551-025 | Left side panel, includes item 3 |
| 5 | 02-4324-01 | Insulation | 13 | A38552-026 | Front panel, includes items 5, 8, 6, 15 and 7 |
| 6 | 02-4217-01 | Bottom gusset | 14 | 02-4216-01 | Upper gusset |

Prodigy Eclipse 600, 800, 1000 Service Parts

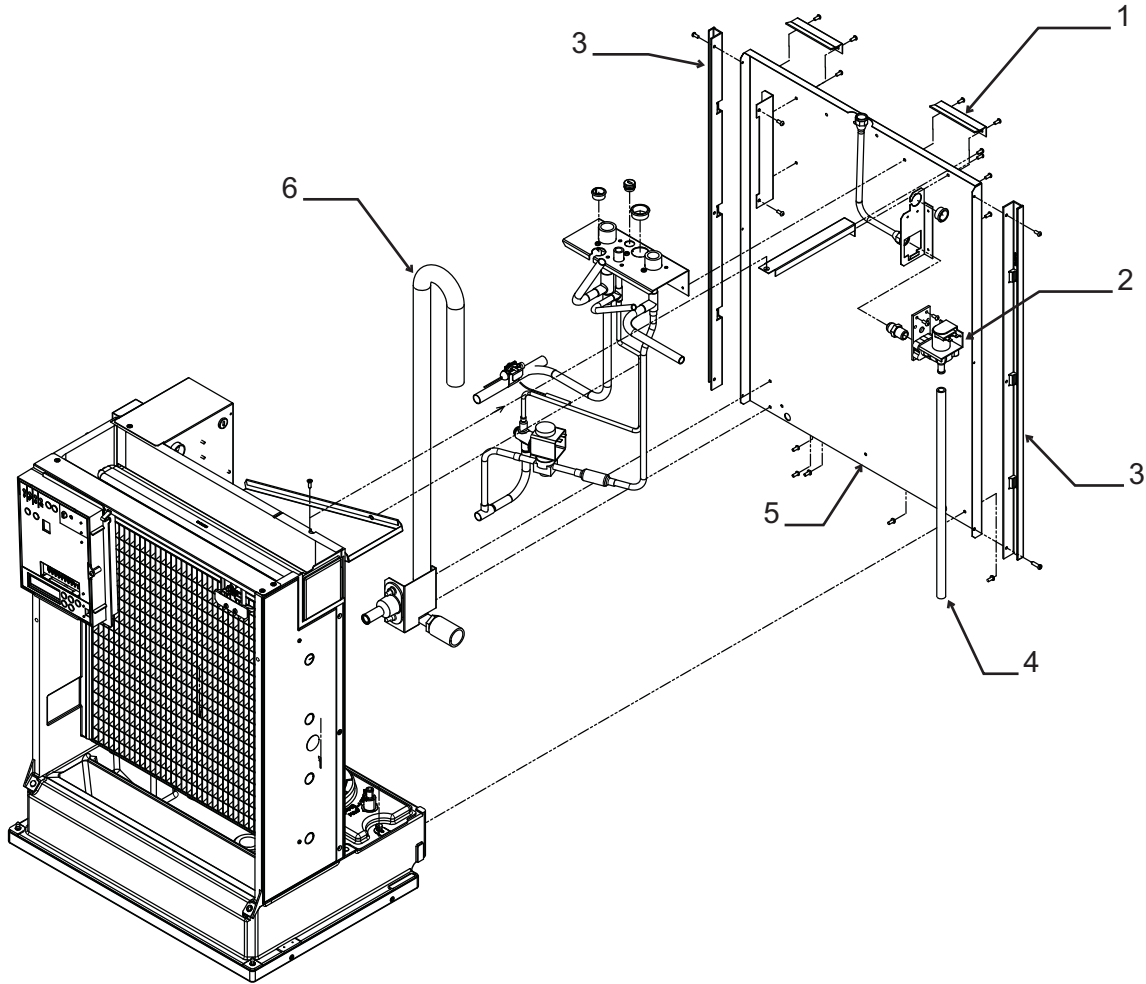
EH222 Cabinet - B Series



| Item Number | Part Number | Description |
|-------------|-------------|---|
| 1 | A39074-021 | Top panel |
| 1a | 02-4221-04 | Trim strip |
| 1b | 02-4221-03 | Trim strip |
| 2 | A39589-021 | Right side panel |
| 3 | A39571-001 | Panel clip |
| 4 | 02-4341-01 | Evaporator cover |
| 4a | 03-0727-05 | Thumb screw |
| 5 | 02-4324-01 | Insulation |
| 6 | 02-4217-01 | Bottom gusset |
| 7 | 02-4284-01 | Bezel, full window |
| 8 | 02-4214-01 | Trim strip |
| 8a | 03-1735-03 | Screw |
| 9 | 02-4284-02 | Bezel, partial window |
| 10 | A39209-001 | Machine strap |
| 11 | 16-1036-01 | Flare union |
| 12 | A39580-025 | Left side panel |
| 13 | A39578-026 | Front panel, includes items 5, 8, 6, 15 and 7 |
| 14 | 02-4216-01 | Upper gusset |

Prodigy Eclipse 600, 800, 1000 Service Parts

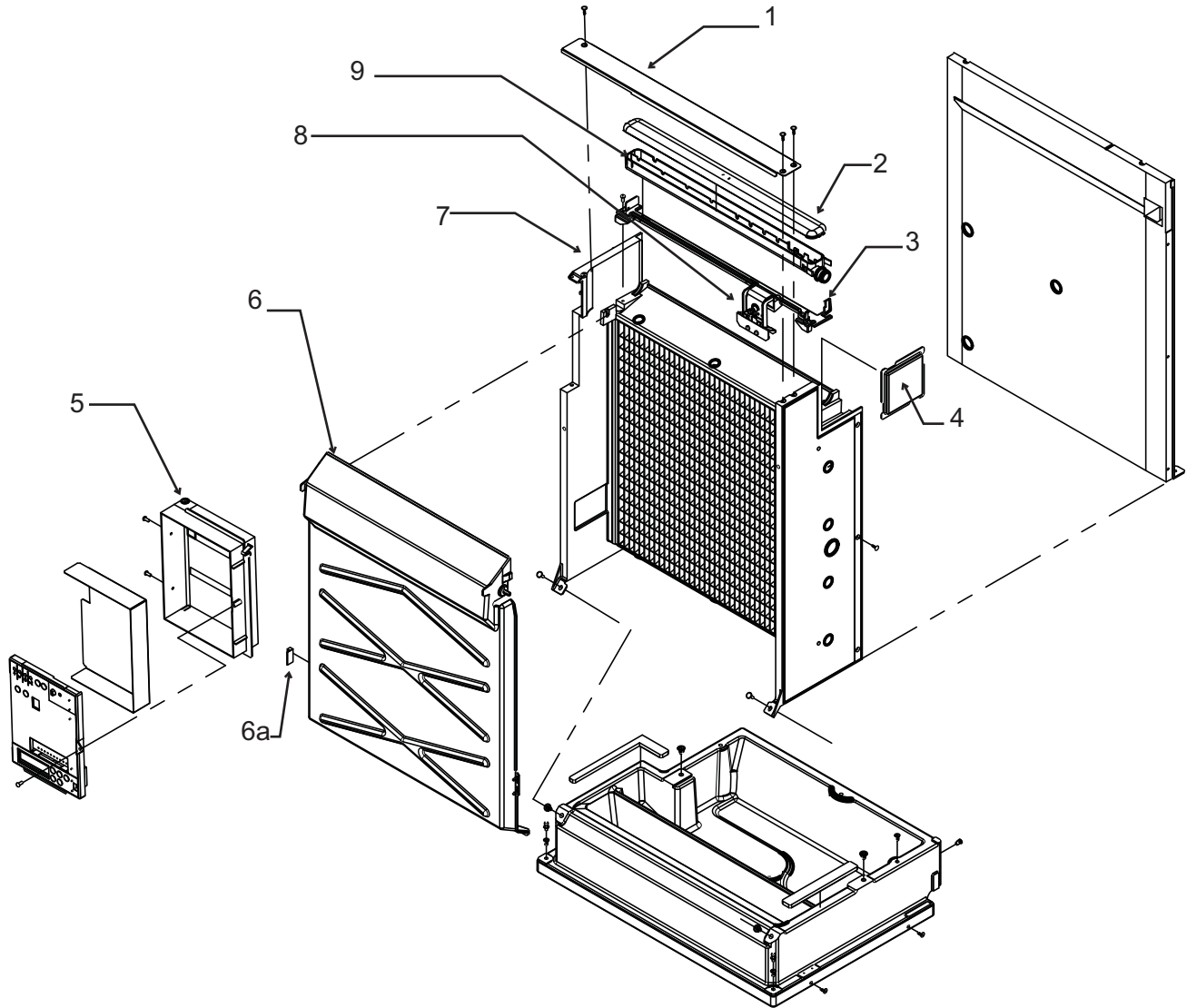
Back Panel Assembly



| Item Number | Part Number | Description |
|-------------|-------------|-----------------------|
| 1 | A39070-001 | Top panel bracket |
| 2 | 12-2922-01 | Inlet water sol valve |
| 3 | 02-4067-05 | Panel support |
| 4 | 13-0674-02 | Tube, use 16 in |
| 5 | A39065-001 | Back panel, A series |
| | A39664-001 | Back panel, B series |
| 6 | 02-4290-01 | Vent hose |

Prodigy Eclipse 600, 800, 1000 Service Parts

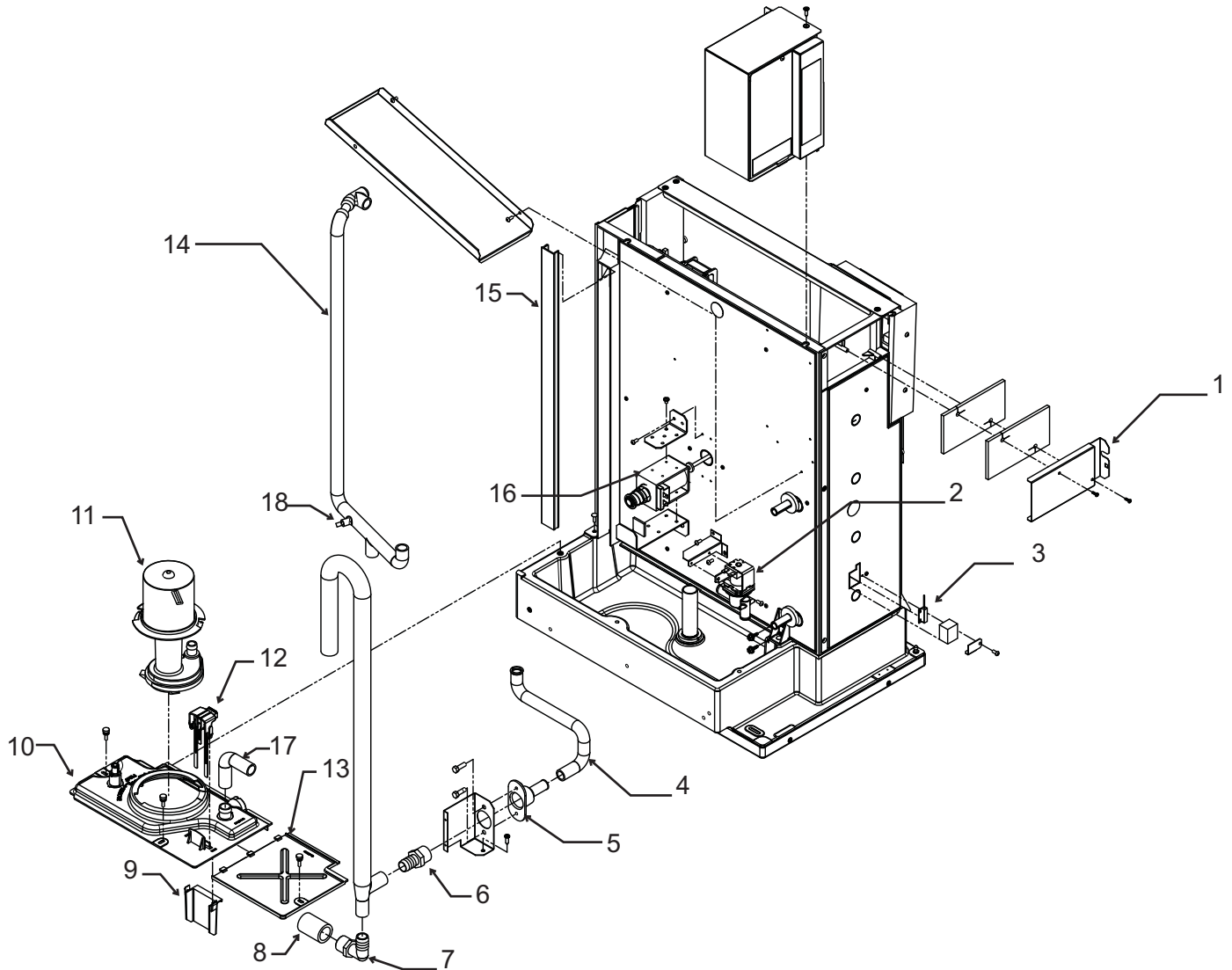
EH222 Interior Parts



| Item Number | Part Number | Description |
|-------------|-------------|-------------------------|
| 1 | A38078-001 | Bracket |
| 2 | 02-4065-01 | Water distributor cover |
| 3 | 02-4205-02 | Mounting bracket |
| 4 | 02-4297-01 | Evap side cover |
| 5 | 02-4343-01 | Controller box |
| 6 | 02-4100-33 | Curtain, includes 6a |
| 6a | 11-0563-02 | Magnet |
| 7 | A39053-021 | Evaporator, small cube |
| | A39053-022 | Evaporator, med cube |
| 8 | A39031-021 | Ice thickness sensor |
| 9 | 02-4064-02 | Water distributor |

Prodigy Eclipse 600, 800, 1000 Service Parts

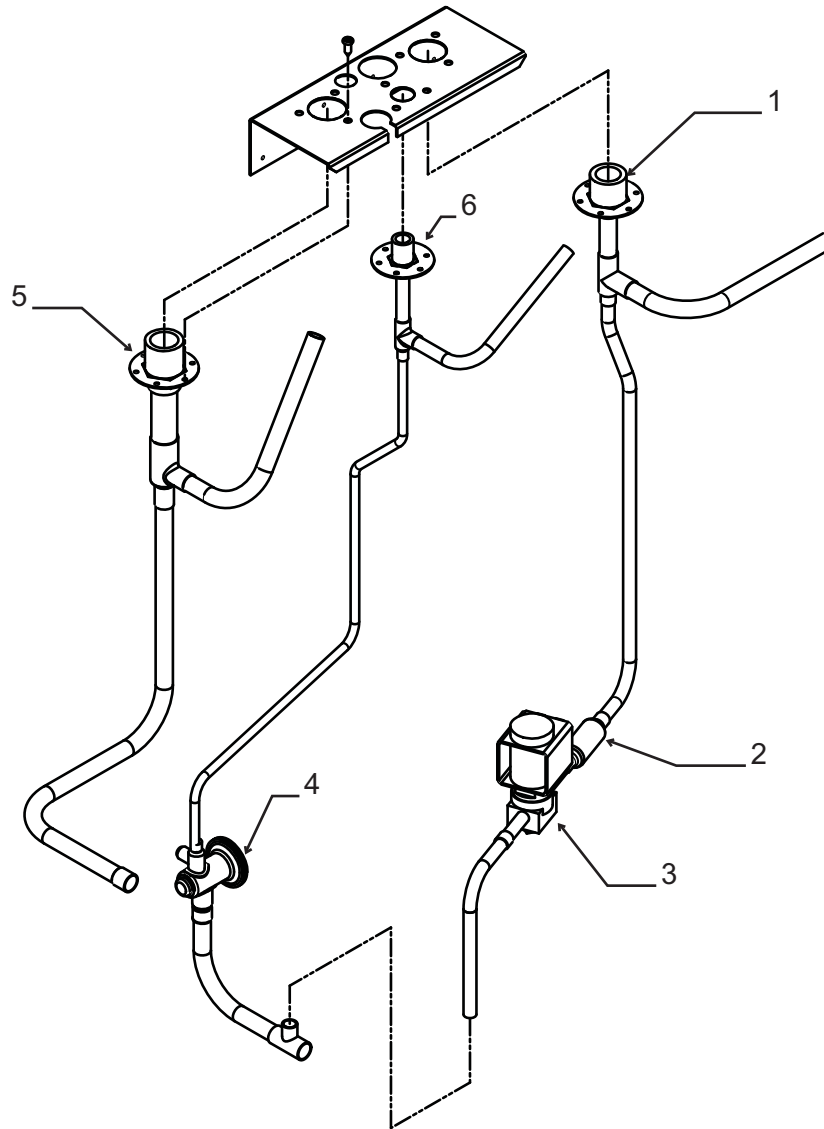
EH222 Water System



| Item Number | Part Number | Description |
|-------------|-------------|--|
| 1 | A39277-001 | Chase cover |
| 2 | 11-0564-01 | Purge valve |
| 3 | 11-0563-03 | Curtain switch |
| 4 | A39232-002 | Drain hose |
| 5 | 02-3692-21 | Drain adapter |
| 6 | 16-1099-01 | Fitting |
| 7 | 16-1134-01 | Elbow |
| 8 | 16-1099-02 | Coupling, pvc |
| 9 | 02-4332-01 | Sensor cover |
| 10 | 02-4291-01 | Pump bracket |
| 11 | 12-2920-24 | Water pump |
| 12 | A39030-021 | Water level sensor |
| 13 | 02-4292-01 | Sump cover |
| 14 | 02-4286-01 | Pump hose |
| 15 | 02-4296-01 | Hose cover |
| 16 | 12-3036-21 | Harvest assist sol includes mounting brackets |
| 17 | A39232-001 | Drain tube, inlet |
| 18 | 11-0515-21 | Water temp sensor |

Prodigy Eclipse 600, 800, 1000 Service Parts

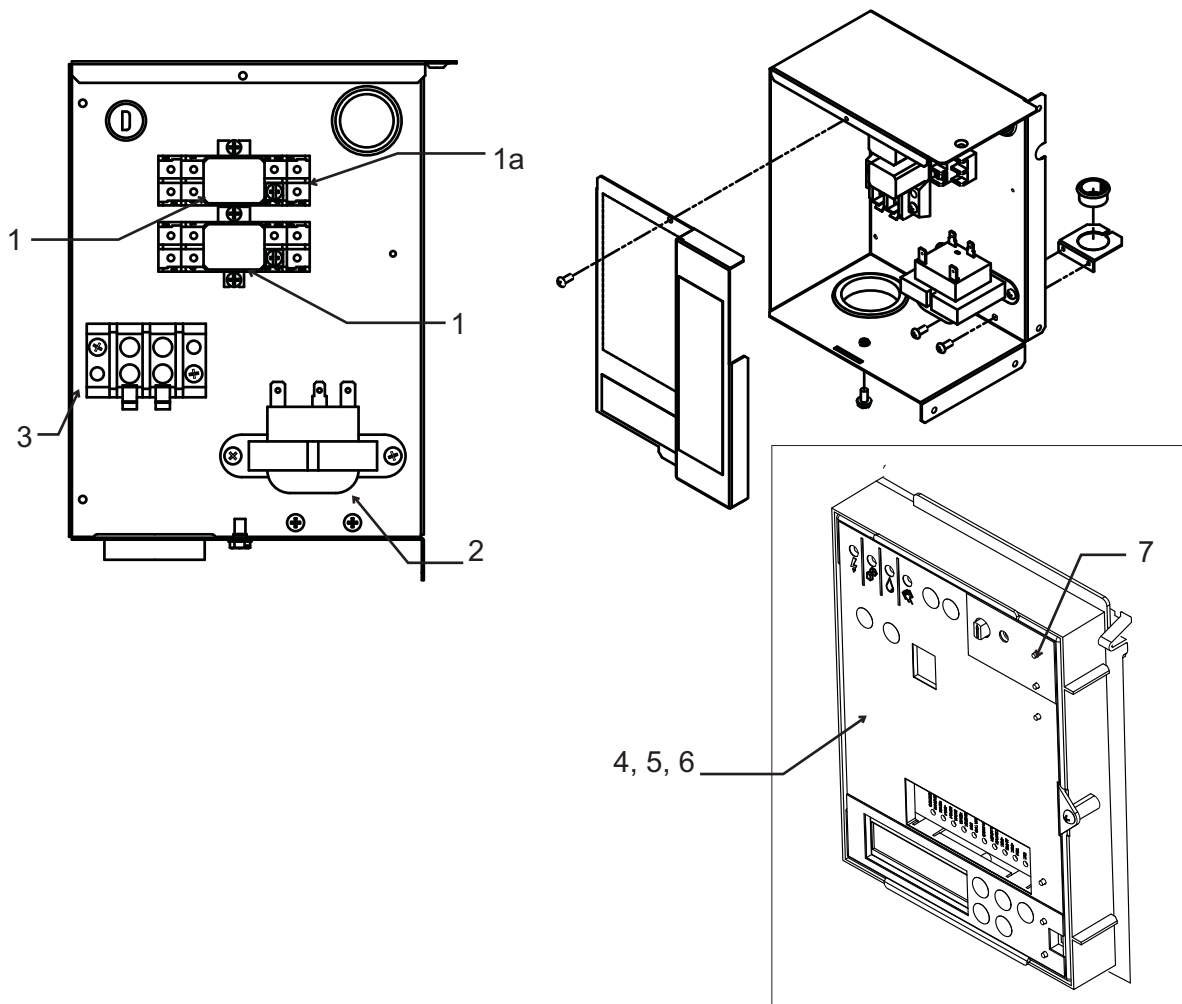
EH222 Refrigeration



| Item Number | Part Number | Description |
|-------------|-------------|------------------------|
| 1 | 16-0850-01 | Quick connect, vapor |
| 2 | 16-1063-01 | Strainer |
| 3 | 11-0493-02 | Vapor solenoid valve |
| 4 | 16-1142-01 | TXV |
| 4a | 02-4405-01 | Insulation, TXV |
| 5 | 16-0850-04 | Quick connect, suction |
| 6 | 16-0850-03 | Quick connect, liquid |

Prodigy Eclipse 600, 800, 1000 Service Parts

EH222 Electrical



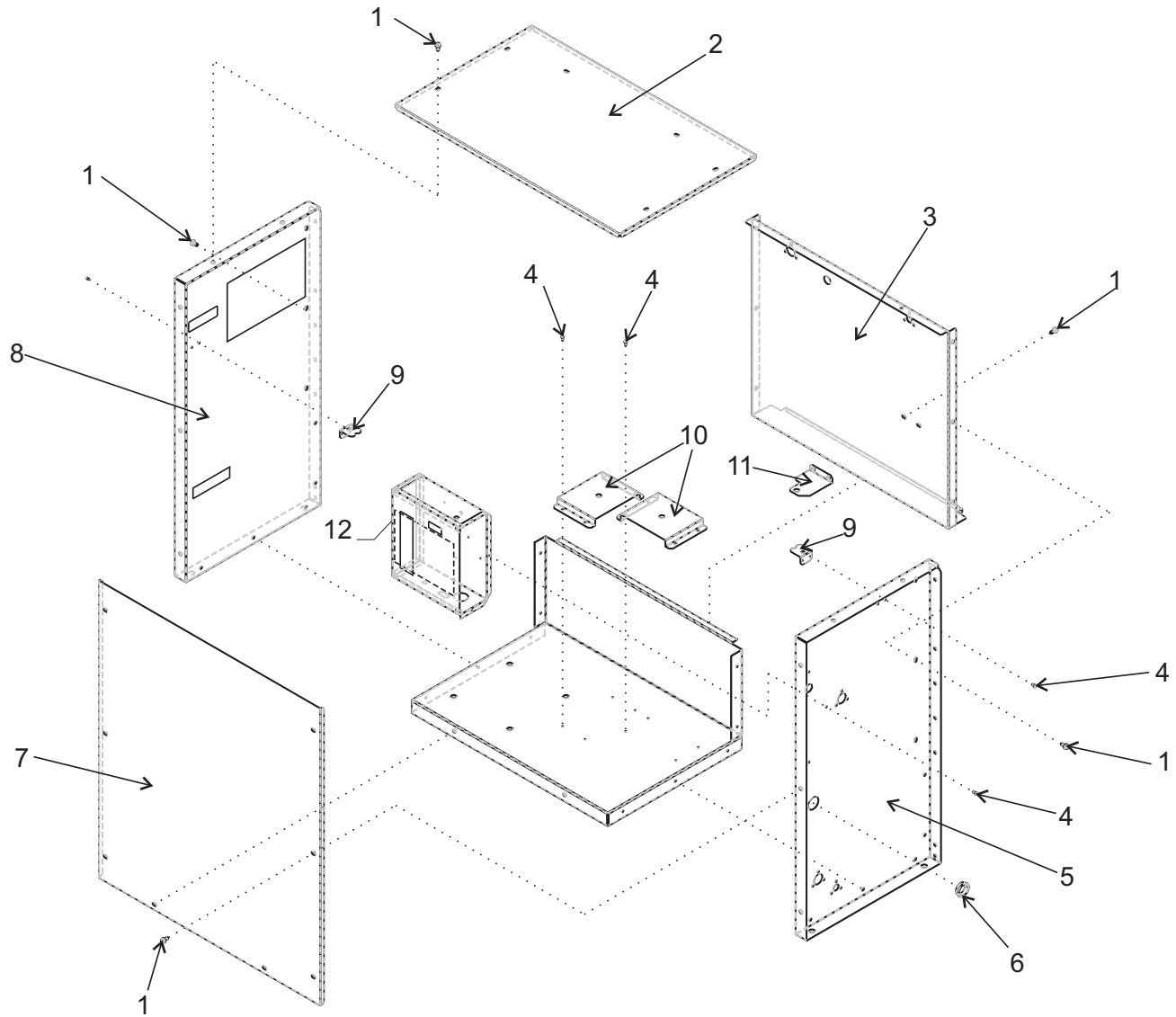
| Item Number | Part Number | Description |
|-------------|-------------|---|
| 1 | 12-2949-01 | Relay |
| 1a | 12-2949-02 | Relay base |
| 2 | 12-2924-01 | Transformer |
| 3 | 12-2780-01 | Terminal strip |
| 4 | 11-0550-27 | Controller |
| 5 | 02-4189-01 | Overlay label |
| 6 | 02-4076-01 | Control box door |
| 7 | KVS | Vari-Smart control , complete with sensor |
| | 11-0570-22 | Vari-Smart Sensor only |

Not shown:

| | | |
|----|------------|----------------------|
| 8 | 12-1638-19 | Power cord |
| 9 | 12-2957-01 | High voltage harness |
| 10 | 12-2954-01 | Low voltage harness |

Prodigy Eclipse 600, 800, 1000 Service Parts

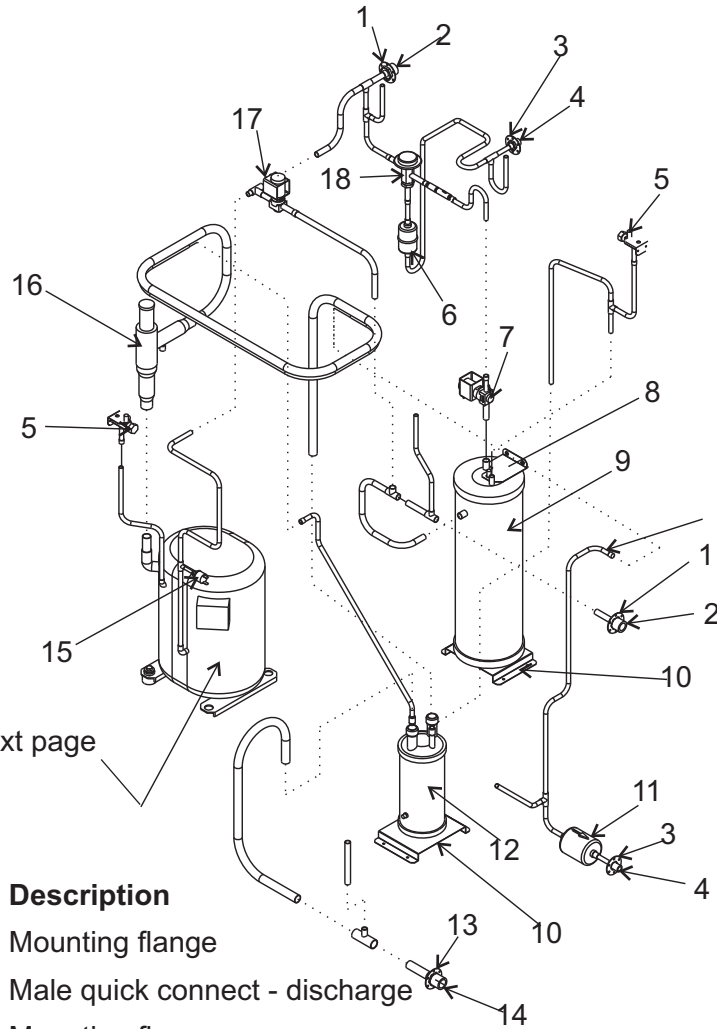
C0600CP, C0800CP and C1410CP Cabinet



| Item Number | Part Number | Description | Item Number | Part Number | Description |
|-------------|-------------|-----------------------|-------------|-------------|---------------------------------|
| 1 | 03-1645-01 | Screw | 10 | A37948-001 | Receiver or accumulator bracket |
| 2 | A37853-001 | Top cover | 11 | A37949-001 | Receiver top bracket |
| 3 | A37845-001 | Back panel | 12 | A37826-001 | Control box cover |
| 4 | 03-1531-01 | Screw | | | |
| 5 | A37829-001 | Right side panel | | | |
| 6 | 12-1213-20 | Snap bushing | | | |
| 7 | A37896-001 | Front cover | | | |
| 8 | A37829-002 | Left side panel | | | |
| 9 | A37962-001 | Service valve bracket | | | |

Prodigy Eclipse 600, 800, 1000 Service Parts

C0600CP, C0800CP and C1410CP Refrigeration Systems



Compressor - see next page

| Item Number | Part Number | Description |
|-------------|-------------|--------------------------------|
| 1 | 16-0701-14 | Mounting flange |
| 2 | 16-0850-01 | Male quick connect - discharge |
| 3 | 16-0701-07 | Mounting flange |
| 4 | 16-0850-03 | Male quick connect - liquid |
| 5 | 16-0832-20 | Access valve |
| 6 | 02-3231-02 | Filter |
| 7 | 11-0546-01 | Liquid inlet valve (N.O.) |
| 8 | A37949-001 | Top bracket |
| 9 | 16-1085-01 | Receiver |
| 10 | A37948-001 | Bottom bracket |
| 11 | 02-3319-02 | Filter dryer |
| 12 | 16-0801-22 | Suction accumulator |
| 13 | 16-0701-18 | Mounting flange |
| 14 | 16-0850-04 | Male quick connect - suction |
| 15 | 11-0501-22 | Hi press cut out |
| 16 | 16-1096-22 | CPR valve |
| 17 | 11-0507-03 | By pass solenoid valve |
| 18 | 11-0422-22 | Headmaster |

Prodigy Eclipse 600, 800, 1000 Service Parts

Compressors

Compressor - see table below

| CP Model | Phase | Part Number |
|------------|--------|-------------|
| C0600CP-32 | single | 18-8768-22 |
| C0600CP-3 | three | 18-8768-24 |
| C0800CP-32 | single | 18-8813-23 |
| C0800CP-3 | three | 18-8813-25 |
| C1410CP-32 | single | 18-8749-22 |
| C1410CP-3 | three | 18-8749-24 |

All compressors are 208-230 volt, 60 Hz.

Single phase compressors include starting components.

All include a drier.

18-8813 & 18-8749 types include crankcase heaters

18-2308-01 Crankcase heater for 18-8813 and 18-8749 type

12-1868-02 Crankcase heater for 18-8768 type

Mounting parts for 18-8813 and 18-8749 type compressors:

18-2300-27 Mounting grommet

18-2300-26 Sleeve

03-1406-07 Washer

03-1405-20 Cap screw

Mounting parts for 18-8768 type compressors:

18-2200-28 Mounting grommet

18-2200-27 Sleeve

03-1406-07 Washer

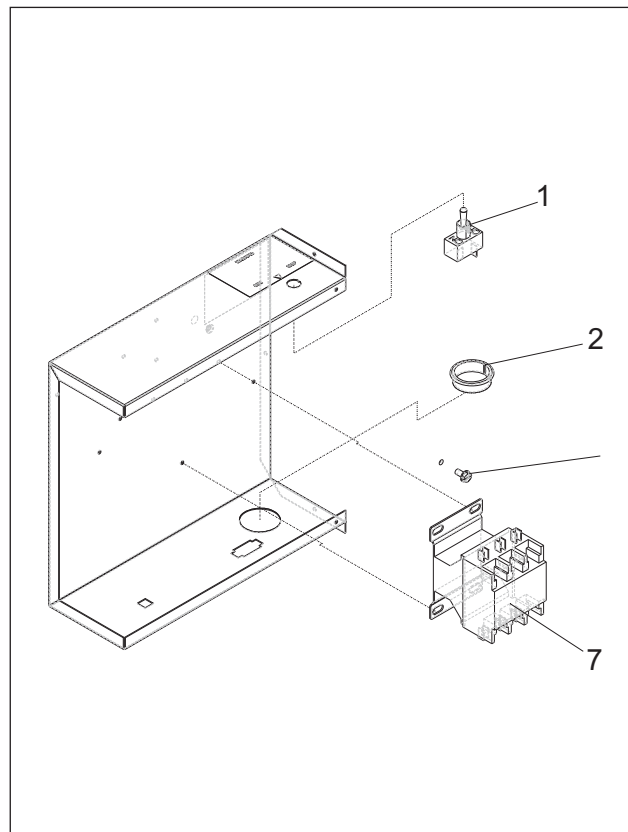
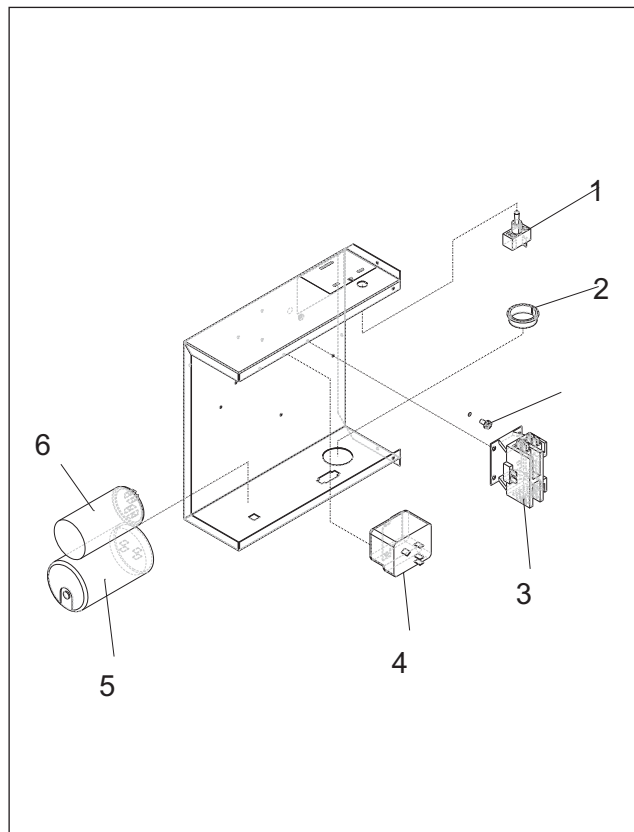
03-1404-20 Cap screw

Parts Shipped in CP unit:

12-2865-01 75' Interconnecting harness

Prodigy Eclipse 600, 800, 1000 Service Parts

C0600CP, C0800CP and C1410CP Control Box



| Item Number | Part Number | Description |
|-------------|-------------|------------------------|
| 1 | 12-0426-01 | Toggle switch |
| 2 | 12-1213-20 | Snap bushing |
| 3 | 12-2469-01 | Single phase contactor |

| | | C0600CP-32 | C0800CP-32 | C1410CP-32 |
|---|-----------------|------------|------------|------------|
| 4 | Comp. Relay | 18-1903-33 | 18-1903-33 | 18-1903-46 |
| 5 | Start Capacitor | 18-1901-54 | 18-1901-15 | 18-1901-48 |
| 6 | Run Capacitor | 18-1902-45 | 18-1902-53 | 18-1902-55 |

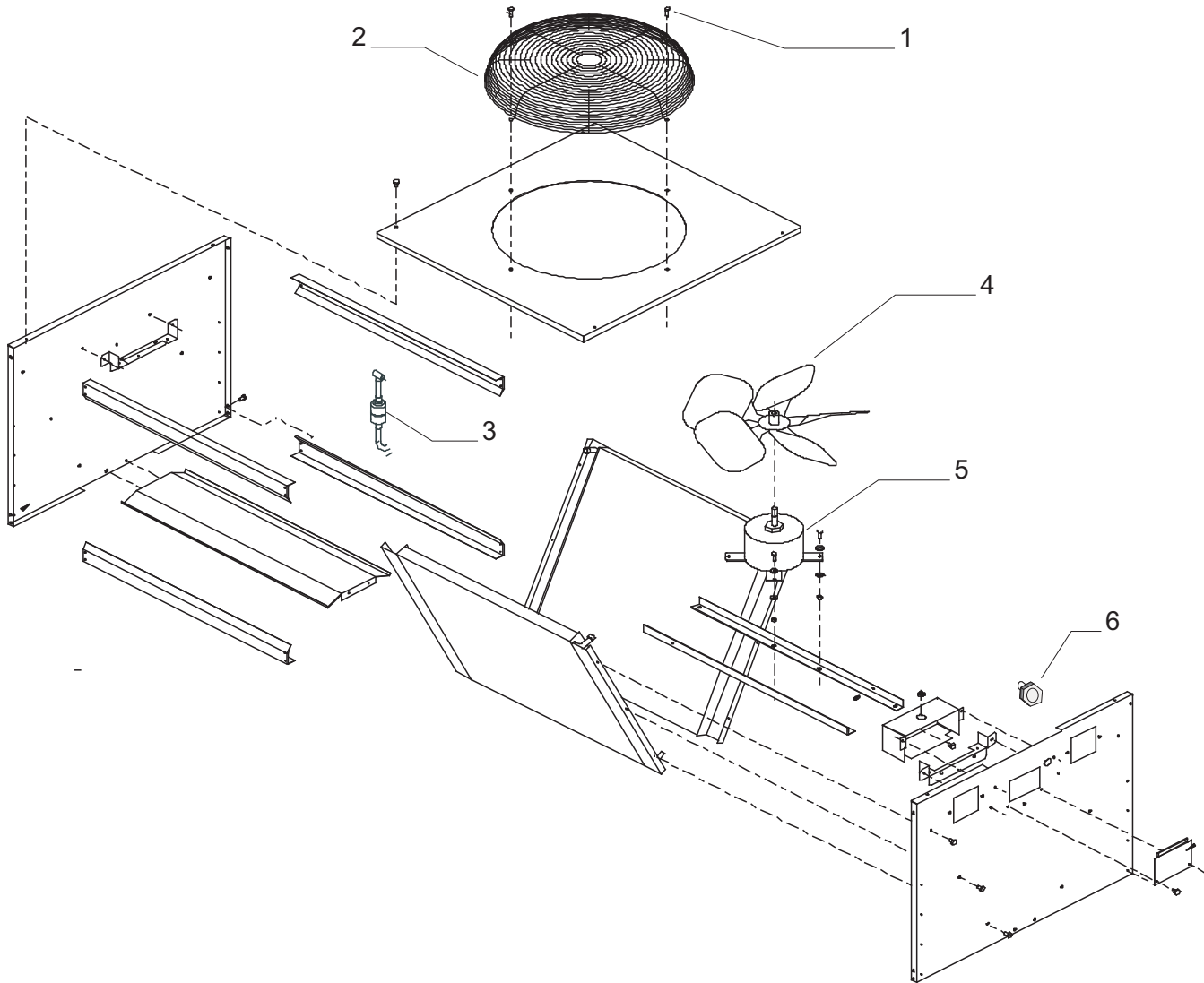
7 12-2533-01 Three phase contactor

Not Shown:

8 12-2836-02 Transformer, 230 volt to 24 volt

Prodigy Eclipse 600, 800, 1000 Service Parts

Remote Condensers



Models ERC680, ERC1086

| Item Number | Part Number | Description |
|-------------|-------------|-----------------------|
| 1 | 03-1405-08 | Screw |
| 2 | 02-3575-01 | Fan guard |
| 3 | 02-3231-03 | Filter |
| 4 | 18-8816-01 | Fan blade |
| 5 | 12-2651-01 | Fan motor |
| 6 | 16-1057-04 | Quick connect, disch |
| | 16-1057-03 | Quick connect, liquid |

Not Shown:

| | |
|------------|----------------|
| A37169-001 | Leg |
| A37170-001 | Leg brace |
| 03-1645-01 | Screw for legs |

Model ER2C6810 (two circuit condenser)

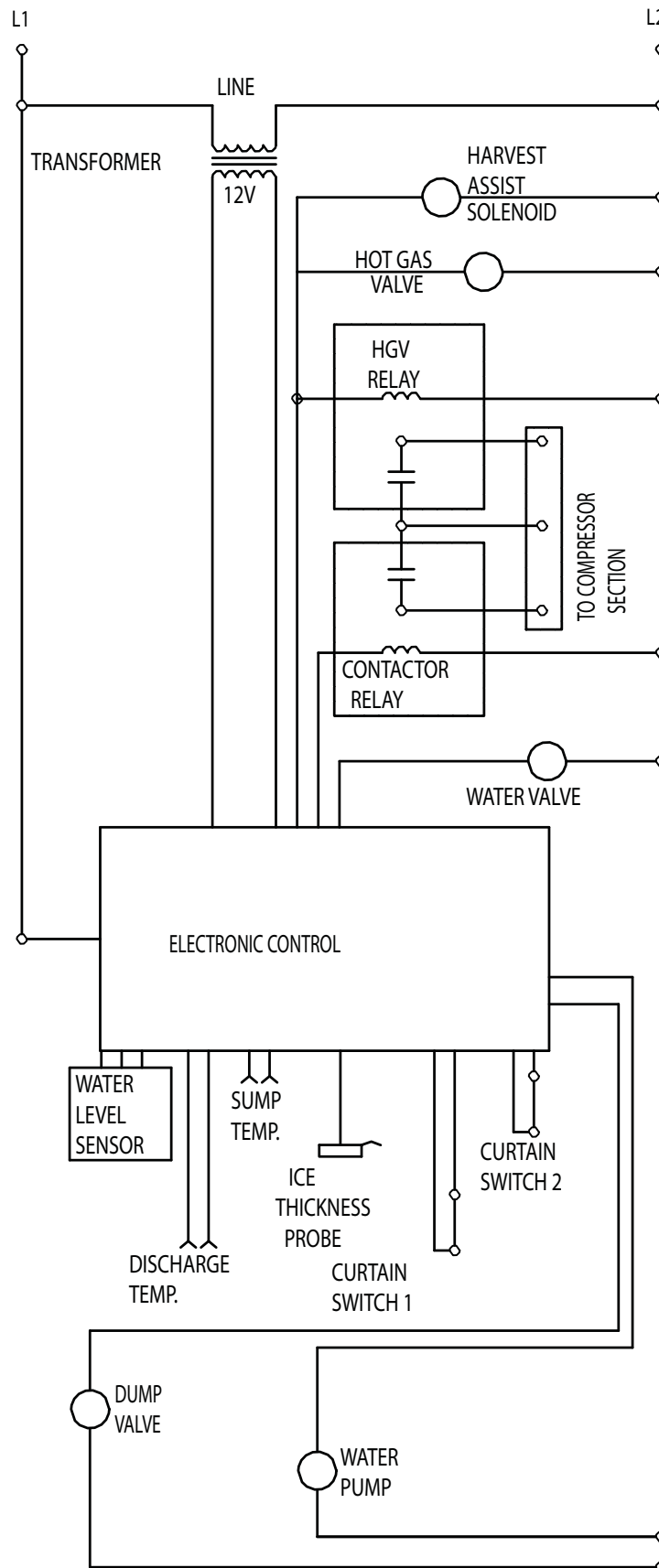
| Item Number | Part Number | Description |
|-------------|-------------|--------------------------|
| 1 | 03-1405-08 | Screw |
| 2 | 02-3770-01 | Fan guard |
| 3 | 02-3231-03 | Filter |
| 4 | 18-8820-01 | Fan blade |
| 5 | 12-2717-01 | Fan motor |
| 6 | 16-1057-04 | Quick connect, discharge |
| | 16-1057-03 | Quick connect, liquid |

Not Shown:

| | |
|------------|----------------|
| A37169-001 | Leg |
| A37296-001 | Leg brace |
| 03-1645-01 | Screw for legs |

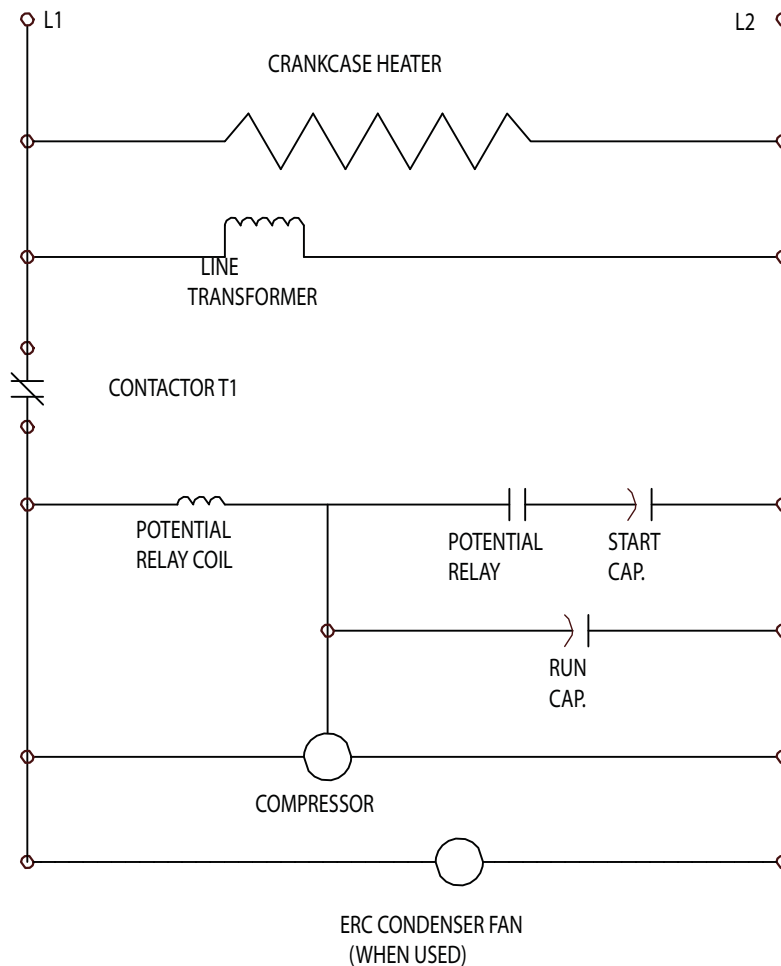
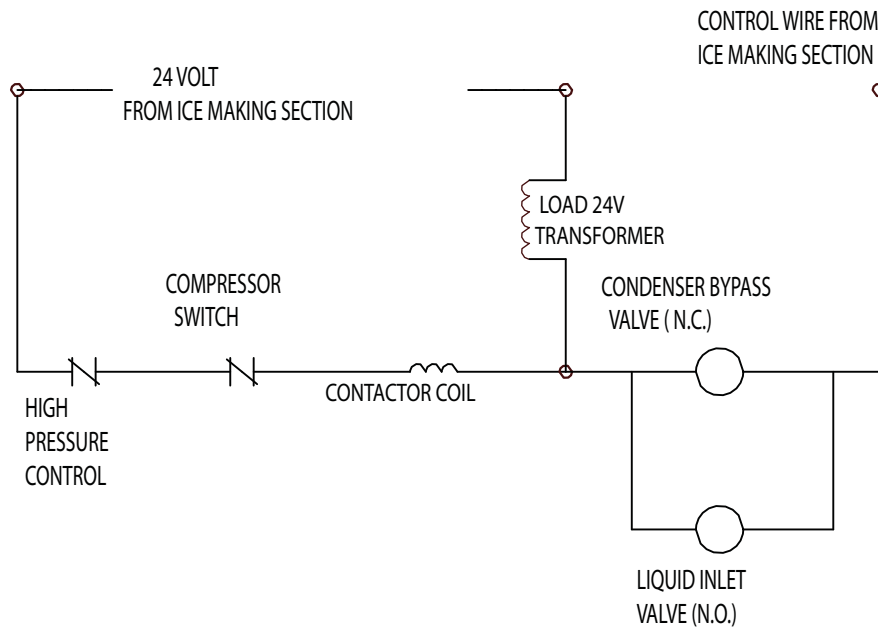
Prodigy Eclipse 600, 800, 1000 Service Parts

EH222 Schematic Diagram



Prodigy Eclipse 600, 800, 1000 Service Parts

C0600CP, C0800CP and C1410CP Single Phase Schematic Diagram




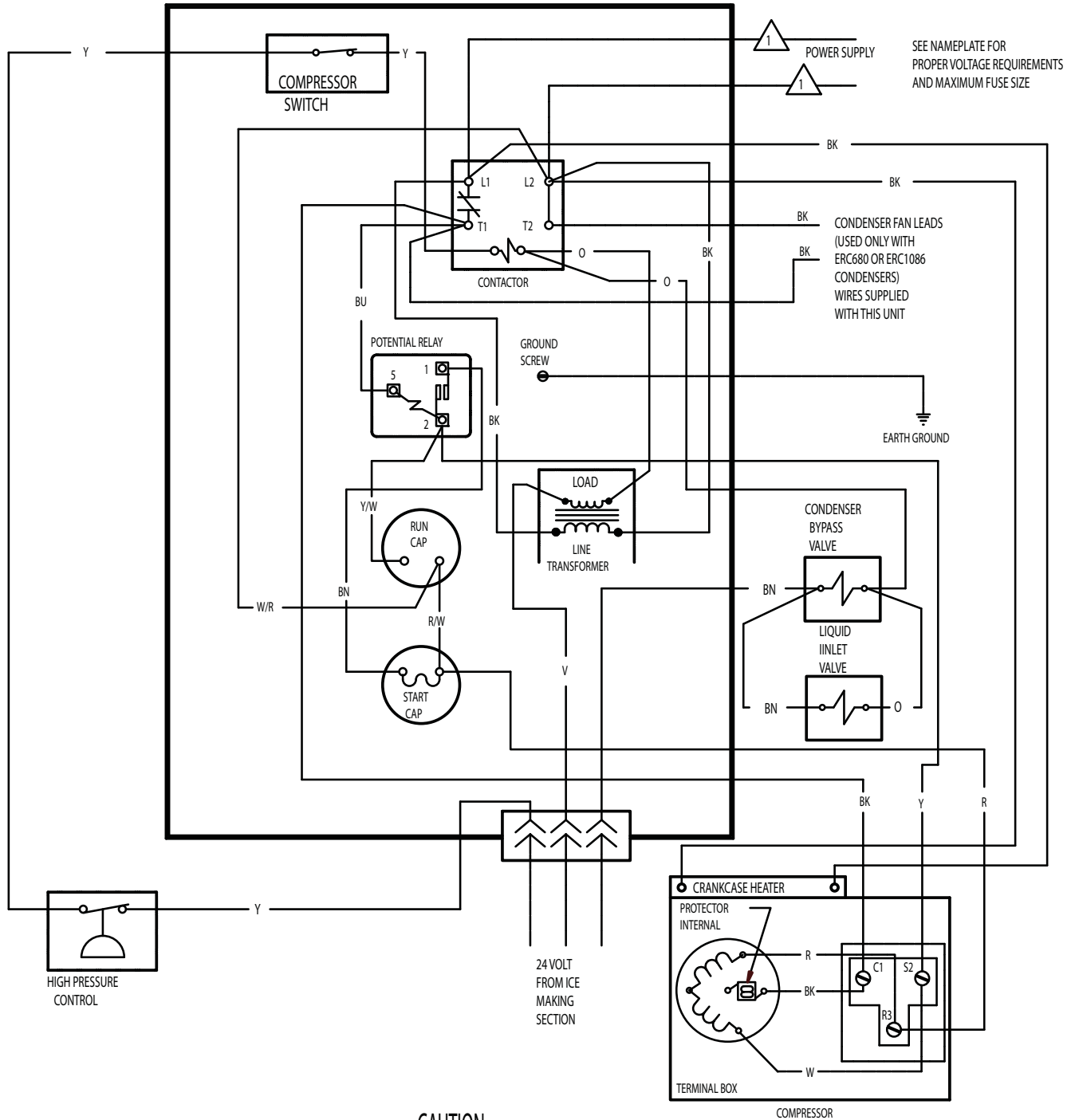
Prodigy Eclipse 600, 800, 1000 Service Parts

C0600CP, C0800CP and C1410CP Single Phase Wiring Diagram

17-3130-01

USE COPPER CONDUCTORS ONLY

 DASHED LINES INDICATE FIELD WIRING WHICH MUST BE INSTALLED IN ACCORDANCE WITH THE NATIONAL ELECTRICAL CODE AND ALL STATE AND LOCAL CODES.

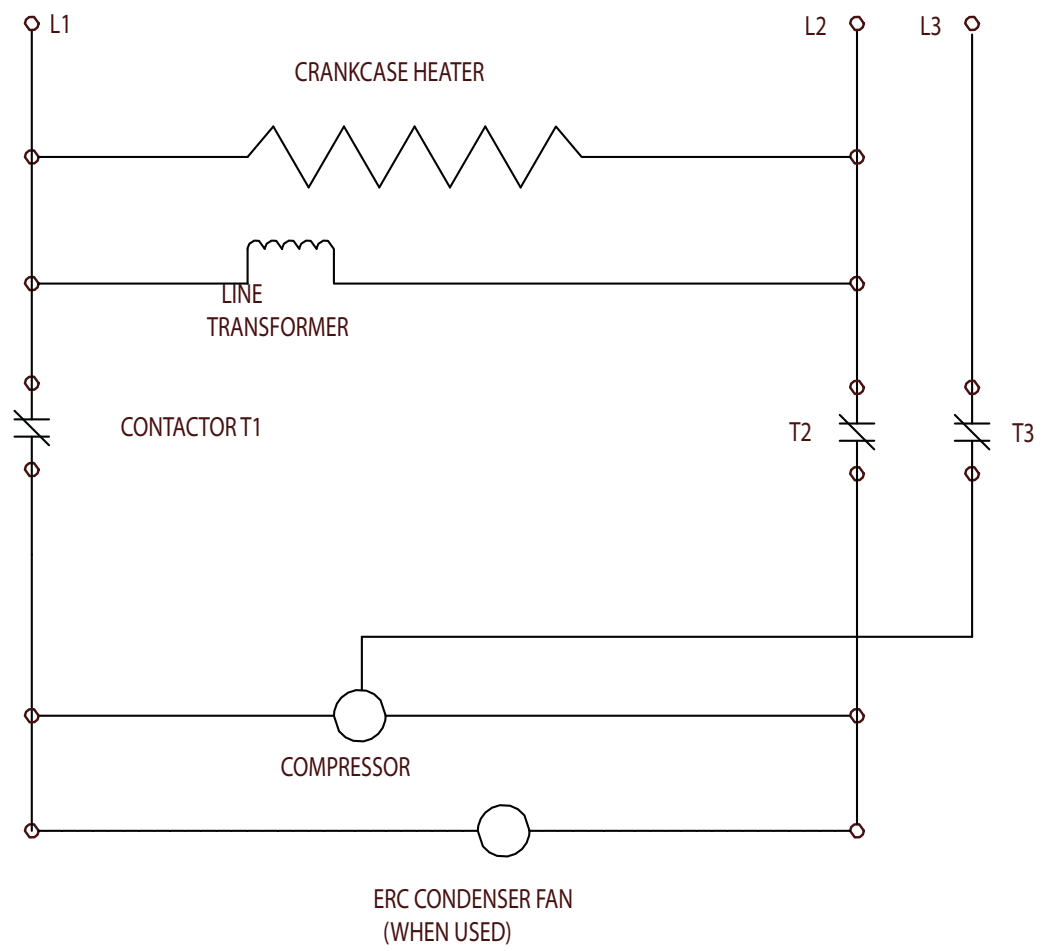
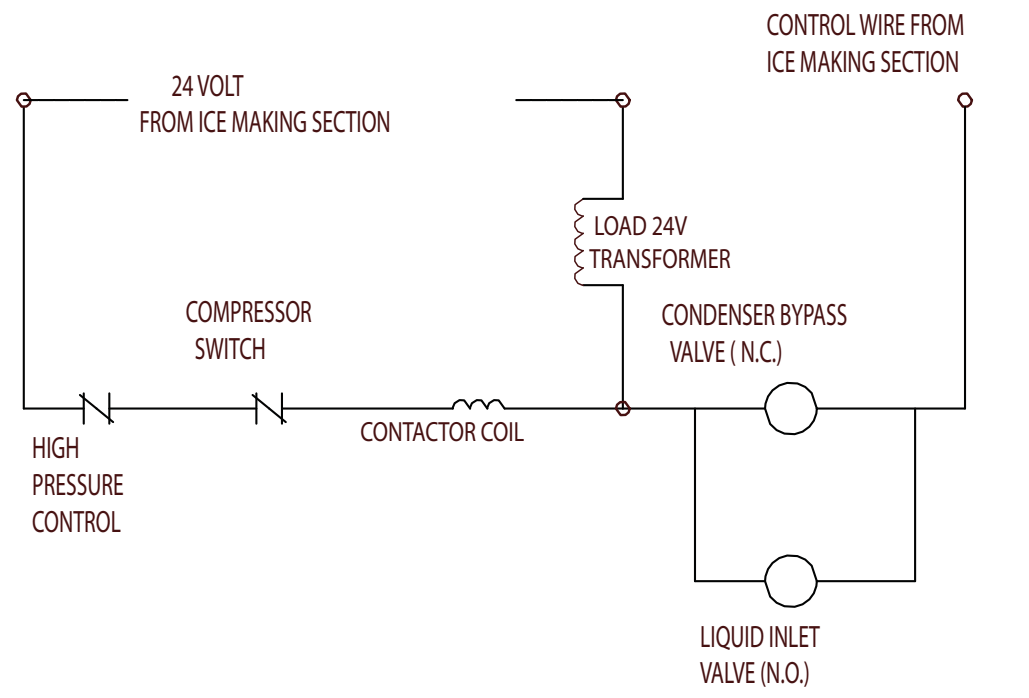


THIS UNIT MUST BE GROUNDED.

MORE THAN ONE DISCONNECT MEANS MAY BE REQUIRED TO DISCONNECT ALL POWER TO THIS UNIT.

Prodigy Eclipse 600, 800, 1000 Service Parts

C0600CP, C0800CP and C1410CP Three Phase Wiring Diagram




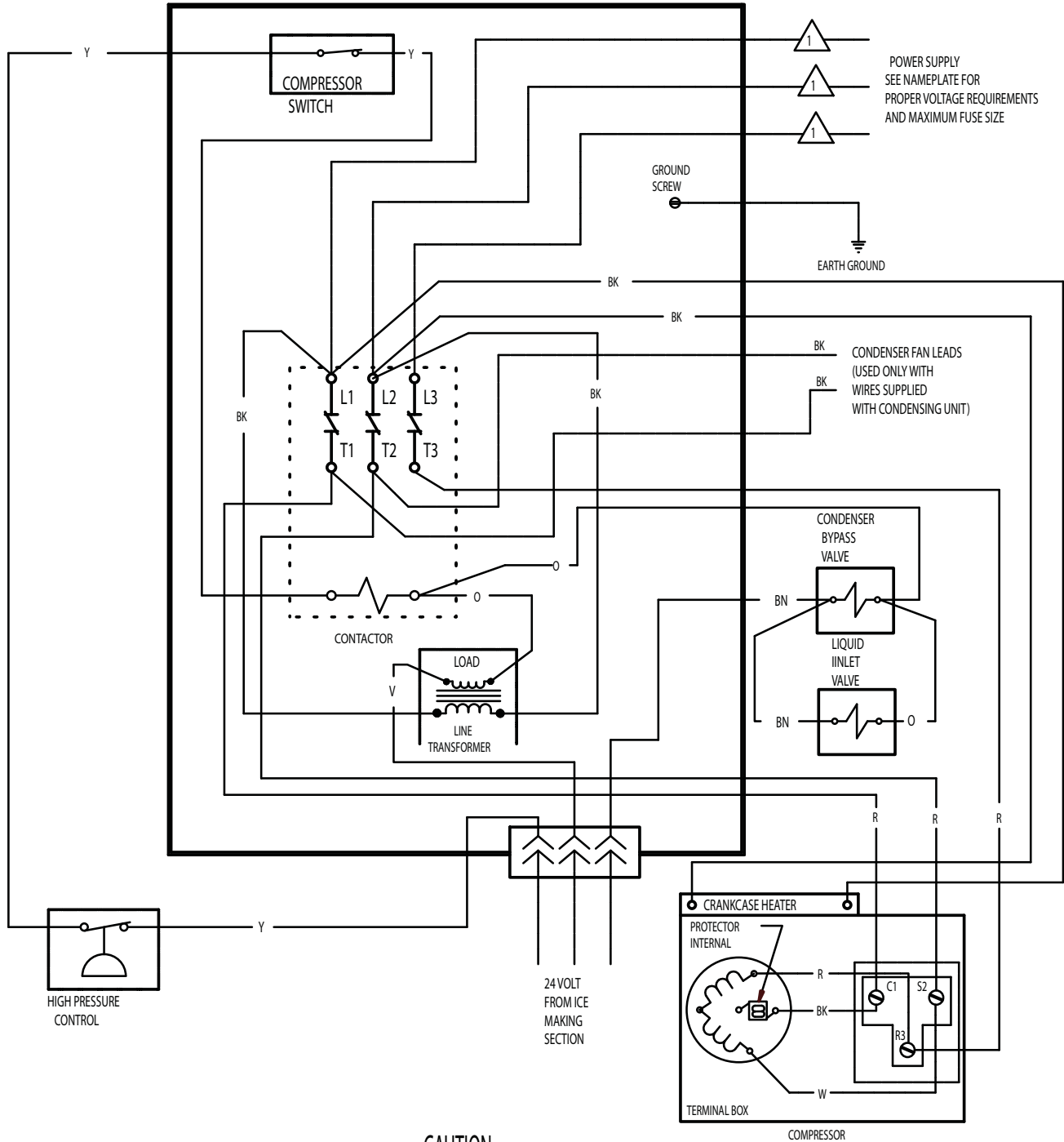
Prodigy Eclipse 600, 800, 1000 Service Parts

C0600CP, C0800CP and C1410CP Three Phase Schematic Diagram

17-3131-01

USE COPPER CONDUCTORS ONLY

 DASHED LINES INDICATE FIELD WIRING WHICH MUST BE INSTALLED IN ACCORDANCE WITH THE NATIONAL ELECTRICAL CODE AND ALL STATE AND LOCAL CODES.



CAUTION:

MORE THAN ONE DISCONNECT MEANS MAY BE REQUIRED TO DISCONNECT ALL POWER TO THIS UNIT.

THIS UNIT MUST BE GROUNDED.