


SCOTSMAN

AIR, WATER, & REMOTE COOLED MODULAR CONTOUR CUBERS



CME456

VOLUME PRODUCTION • 24 HOUR

 Certified & rated in accordance with ARI standard 810-95	Air-Cooled		Water-Cooled		Remote	
	70°/50° lbs./kg.	ARI 90°/70° lbs./kg.	70°/50° lbs./kg.	ARI 90°/70° lbs./kg.	70°/50° lbs.	ARI 90°/70° lbs.
CME456-1	480/218	400/182	490/222	454/206	496/225	440/200
CME456-32	480/218	400/182	-	-	-	-

VALUE THE DIFFERENCE OF CM³ ICE MACHINES:

- CM³ series offers the lowest lifetime operating costs based on lower water and electrical usage. Combine that with a competitive purchase price and the best warranty in the industry and you have the lowest lifetime ownership cost. Period.
- AutoIQ™ Control System monitors and controls the ice machines' functions to ensure consistent ice production and reduce operating costs.
- CM³ Evaporator is a hot tin dipped, molecularly bonded plate that has been field tested and proven 99.4% reliable over 5 years.
- Rust-free Polyethylene Base and Food Zone is insulated with 1-1/2" of foam which keeps water and food zone cool to reduce operating costs and is backed by a Lifetime Rust-free Warranty.
- Contemporary styling and stainless steel finish make the CM³ a perfect addition to any operation.
- Now protected with AquaArmor™ utilizing AgION™, a silver-based anti-microbial compound that reduces the growth of bacteria, microorganisms, algae, mold and slime on ice machine surfaces. AgION is a trademark of AgION Technologies and is registered with the EPA.

WARRANTY See your dealer for complete warranty details.

- 3 years parts and labor on all components.
- 5 years parts and labor on the CME evaporator.
- 5 years parts on the compressor and condensor.

BIN OPTIONS:



BIN: BH360



APPROX. CUBE SIZE:
1³/₈" X 1³/₈" X 5⁵/₈" THICK

SCOTSMAN MODULAR BINS					
Model Number	Dimensions* W"xD"xH"	ARI Bin Capacity	Application Capacity	Finish	Ship Weight lbs./kg.
BH360	22 x 31 x 50	275 LBS.	374LBS.	SS	135/61
(SS) Stainless Steel with Stainless Steel liner. (*w/6" legs)					

This product qualifies for the following listings:


 Rated in accordance with ARI standard 810-95



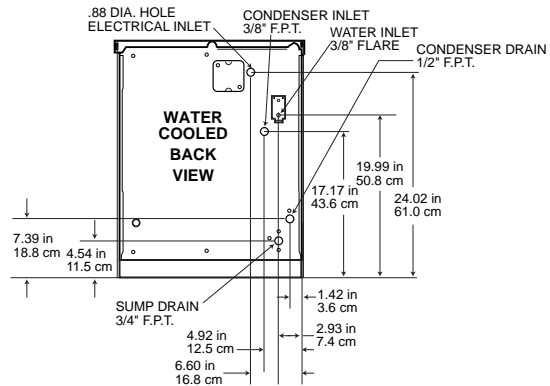
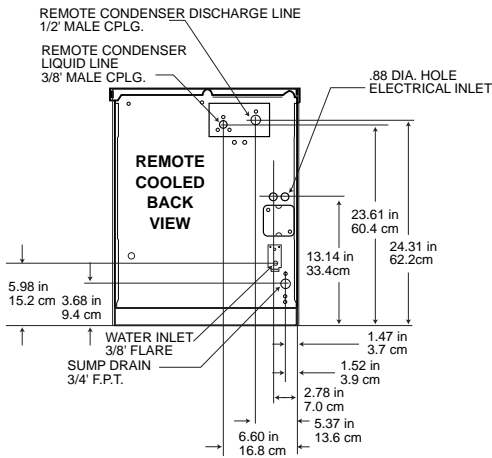
CERTIFIED

 9001:2000

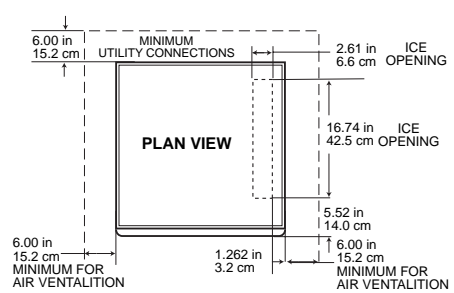
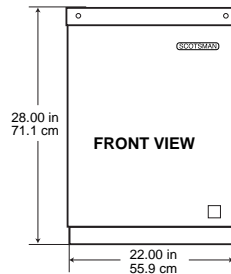
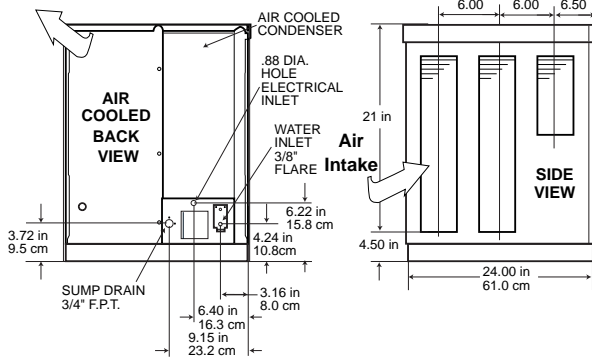




Ice Machine Specifications



Air Exhaust



All models: Dimensions: W x D x H Unit: 22" x 24" x 28" Shipping Carton: 25 1/2" x 27" x 31"

Model Number	Condenser Unit	Basic Electrical Volts/Hz/Phase	Max. Fuse Size or HACR Circuit Breaker	Comp. HP	Circuit Wires	Min. Circuit Ampacity	BTU's per hour	Shipping Weight lbs./kg.	Power Consumption KWH/100 lbs. 90°F/70° F	Water Usage Gallons/100 lbs. Potable 90°F/70° F	Condenser 90°F/70° F
CME456AS-1C	AIR	115/60/1	20	3/4	2	19	7,000	205/93	7.4	17.5	-
CME456AS-32C	AIR	208-230/60/1	15	3/4	2	9.8	7,000	205/93	7.4	17.5	-
CME456WS-1C	WATER	115/60/1	20	3/4	2	19	7,000	205/93	6.0	17.9	144
CME456RS-1C	REMOTE	115/60/1	20	3/4	2	20	7,000	205/93	7.5	18.0	-

All units with Stainless Steel finish.
Refrigerant: R-404A.

REMOTE CONDENSER—Comes with adjustable legs

Dimensions: W x D x H: 29.50" x 29.25" x 38.50" for ERC111 & ERC211

Model Number	For Use With	Cond. Unit	Finish Basic	Electrical Volts/Hz/Phase	No. of Wires	Min. Circuit Ampacity	Max Fuse Size or HACR Circuit Braker
ERC111-1A	1-CME456R	Air	Galvanized	115/60/1	2	2.6	15
ERC211-1A	2-CME456R	Air	Galvanized	115/60/1	2	2.6	15

PRE-CHARGED REFRIGERANT TUBE KITS: 10-Foot, RTE10 • 25-Foot, RTE25 • 40-Foot, RTE40 • 75-Foot, RTE75

R-404A Refrigerant

KCMR120-Fan Relay Kit: Required to connect two CME456Rs to one ERC211-32A

Scotsman's ice machines are not designed for outdoor installations. Scotsman remote condensers are designed for outdoor installations.

Machine requires voltage indicated on rating name plate. Failures caused by improper voltage are not considered factory defects. Extended periods of operation at temperatures exceeding limitations constitutes misuse under the terms of Scotsman Manufacturer's Limited Warranty, resulting in a loss of warranty coverage. Specifications and design are subject to change without notice.

Consult Your Local SCOTSMAN Representative At:

IMPORTANT OPERATING REQUIREMENTS:

	Minimum	Maximum
Air Temperatures	50°F (10°C)	100°F (37.7°C)
Water Temperatures	40°F (4.4°C)	100°F (37.7°C)
Remote Cond. Temps	-20°F (-28.9°C)	120°F (48.9°C)
Water Pressures	20 PSIG	120 PSIG
Electrical Voltage	-5%	+10%

YOU'LL VALUE THE DIFFERENCE™

775 Corporate Woods Parkway • Vernon Hills, IL 60061 • 1-800-SCOTSMAN • Fax: (847) 913-9844
Visit our website at: www.scotsman-ice.com • E-mail: customer.service@scotsman-ice.com

