

AF300 SERVICE PARTS

This is the parts list for the AF300. When looking up part numbers, always check the complete model and serial numbers to be certain of ordering the correct parts.

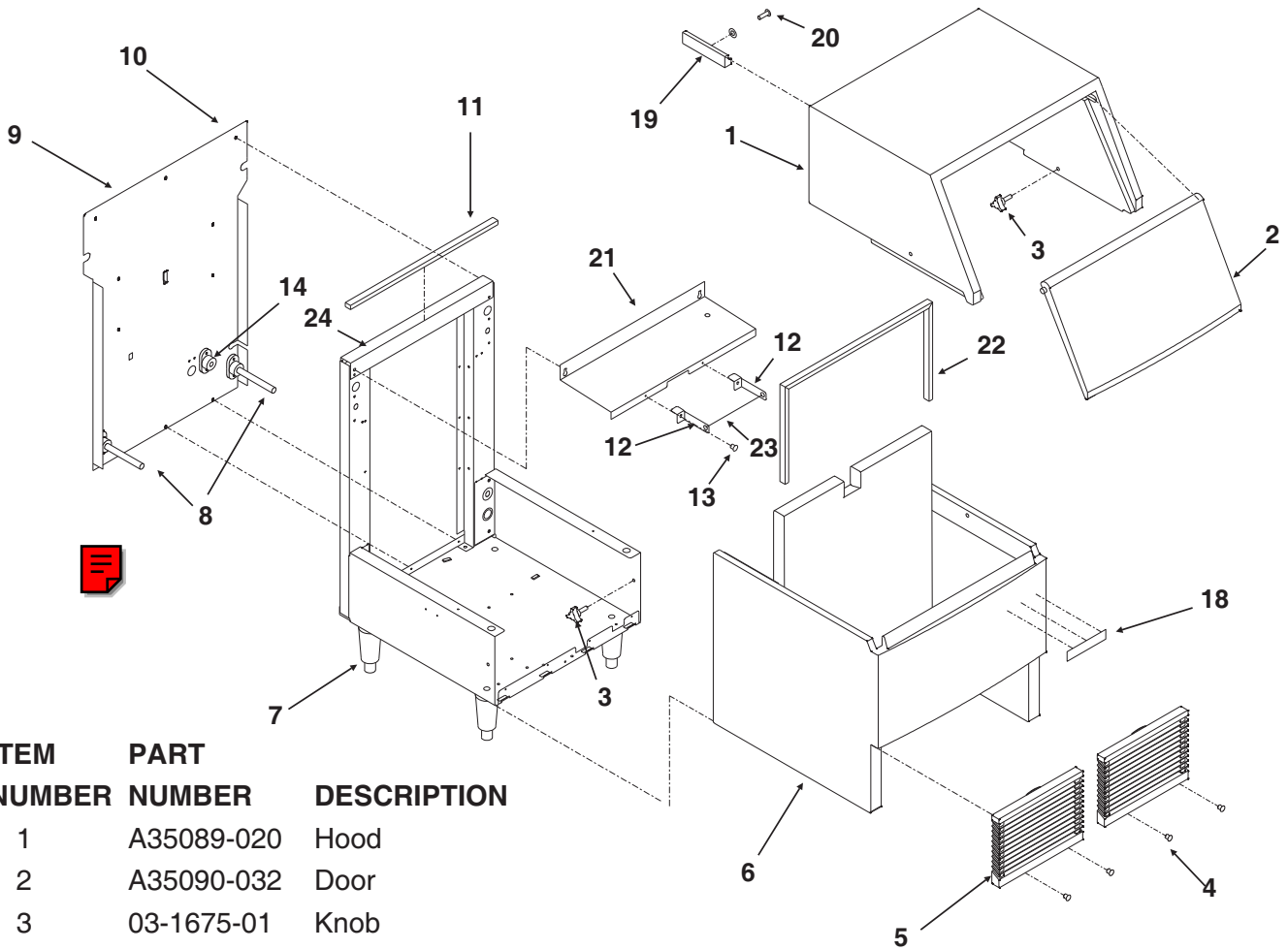
Plastic tubing is sold by the foot, order 1 unit, and 1 foot will be shipped. Order enough to cover the length required. Lengths of tubing are listed under the description column.

Note: The reservoir was changed in July of 1994 (date code -01Z). The two different reservoirs are NOT interchangeable. Check the body color of the reservoir before ordering a part.

TABLE OF CONTENTS

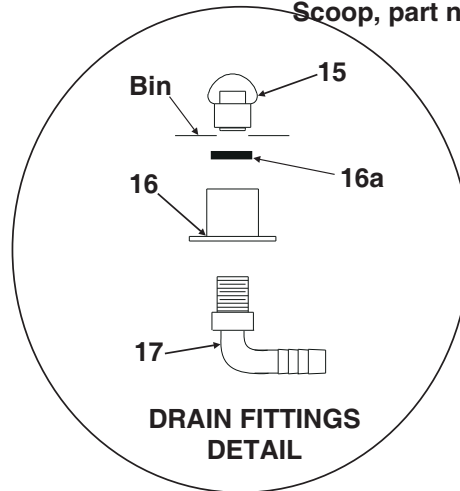
Cabinet	Page 2
Air cooled refrigeration	Page 3
Water cooled refrigeration	Page 4
Reservoir tubing	Page 5
Evaporator	Page 6
Gearmotor	Page 7
Control box	Page 8
Wiring diagrams	Page 9

AF300 SERVICE PARTS CABINET



ITEM NUMBER	PART NUMBER	DESCRIPTION
1	A35089-020	Hood
2	A35090-032	Door
3	03-1675-01	Knob
4	03-1404-08	Screw
5	02-3153-31	Grill
6	A35088-020	Bin
7	KLP2E	Leg kit
8	02-3692-21	Drain adaptor
9	A35248-001	Back panel
10	03-1404-08	Sheet metal screw
11	13-0595-01	Gasket, 21.75" req.
12	A35394-001	Bin control bracket
	13-0727-00	Grommet
13	03-1531-01	Screw
14	A31828-002	Water cooled drain casting
15	02-2809-01	Drain cap
16	02-3108-01	Drain fitting
16a	02-4193-01	Flat washer, rpls o-ring
17	16-0822-01	Adaptor
18	15-0808-01	Emblem
19	19-0629-01	Door stop

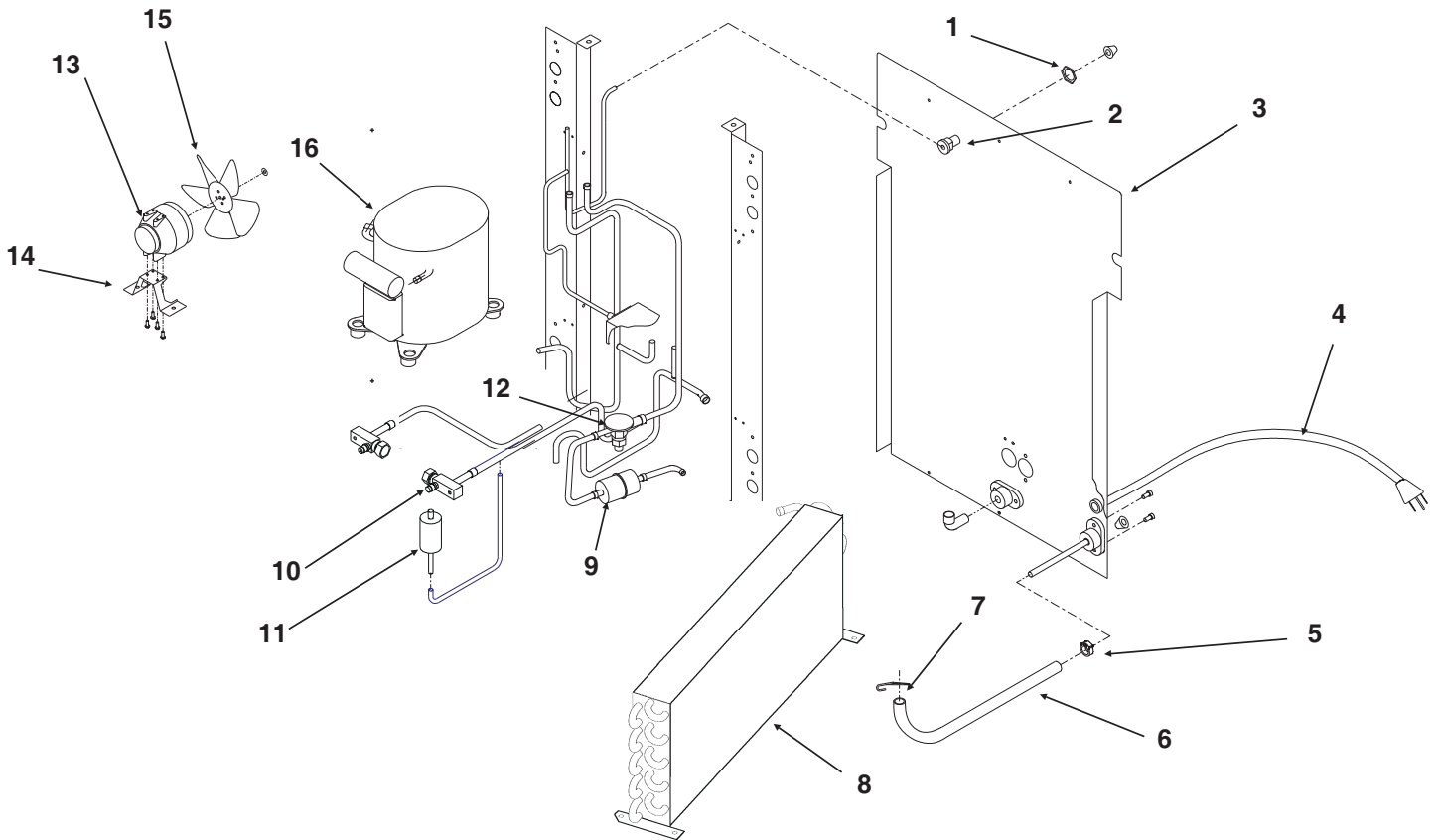
**Not Illustrated:
Scoop, part number 02-3253-01**



20	03-1419-09	Screw
21	A35199-001	Evaprator bracket
	13-0727-00	Grommet for cap tube
22	13-0595-01	Bin gasket 36" req.
23	A35395-001	Bin control tube
24	A35452-001	Top bracket

AF300 SERVICE PARTS

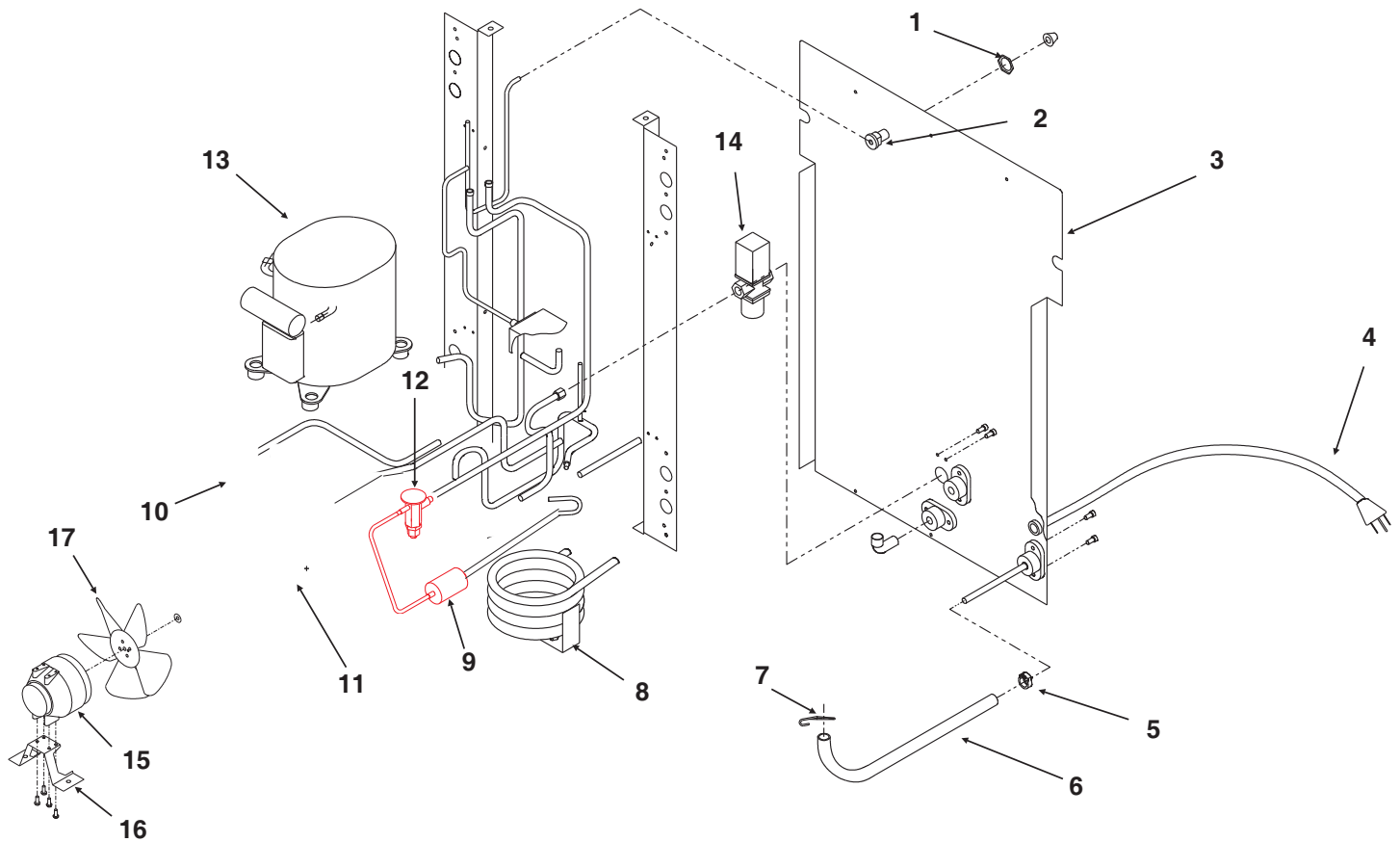
AIR COOLED REFRIGERATION



ITEM NUMBER	PART NUMBER	DESCRIPTION	ITEM NUMBER	PART NUMBER	DESCRIPTION
1	03-1394-00	Pal nut	12	11-0473-21	Thermo exp. valve
2	A27318-001	Water inlet fitting		A32961-020	Insulation for TXV (half)
3	A35248-001	Back Panel	13	12-1681-23	Fan motor
	03-1404-08	Sheet metal screw	14	A35246-001	Fan motor bracket
4	12-1638-14	Power cord	15	18-8708-01	Fan blade
5	02-2814-08	Hose clamp	16	18-8703-20	Compressor, includes relay
6	13-0674-06	Drain hose, 21.5" req.			overload, and start capacitor
7	02-3094-01	Hose clamp		JSS5-0050-IAA-202	
8	18-8844-01	Air cooled condenser		18-1901-15	Start capacitor
	02-3193-01	Air filter (not shown)		18-1903-49	Relay
9	02-3319-01	Dryer		18-8703-50	Overload
10	16-0832-20	Access Valve			Compressor Mounting Hardware:
10a	16-0832-02	Stem cap		03-1677-01	Screw
10b	16-0832-03	Core cap		03-1407-07	Washer
11	11-0446-26	Hi press. cut out		18-2200-27	Sleeve
				18-2200-28	Grommet

AF300 SERVICE PARTS

WATER COOLED REFRIGERATION



ITEM NUMBER	PART NUMBER	DESCRIPTION	ITEM NUMBER	PART NUMBER	DESCRIPTION
1	03-1394-00	Pal nut	13	18-8703-20	Compressor, includes relay overload, and start capacitor
2	A27318-001	Water inlet fitting		JSS5-0050-IAA-202	
3	A35248-001	Back Panel		18-1901-15	Start capacitor
	03-1404-08	Sheet metal screw		18-1903-49	Relay
4	12-1638-14	Power cord		18-8703-50	Overload
5	02-2814-08	Hose clamp		Compressor Mounting Hardware:	
6	13-0674-06	Drain hose, 21.5" req.		03-1677-01	Screw
7	02-3094-01	Hose clamp		03-1407-07	Washer
8	18-3707-25	Water cooled condenser		18-2200-27	Sleeve
9	02-3319-01	Dryer		18-2200-28	Grommet
10	16-0832-20	Access valve	14	11-0424-01	Water regulating valve
10a	16-0832-02	Stem cap	15	12-1575-01	Fan motor (water cooled)
10b	16-0832-03	Core cap	16	A35246-001	Fan motor bracket
11	11-0446-26	Hi press. cut out	17	18-8708-01	Fan blade
12	11-0473-21	Thermo exp. valve			
	A32961-020	Insulation for TXV (half)			

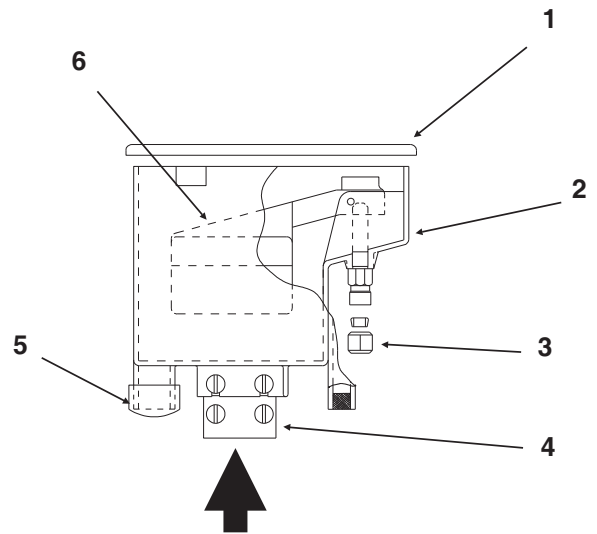
AF300 SERVICE PARTS

RESERVOIR AND TUBING

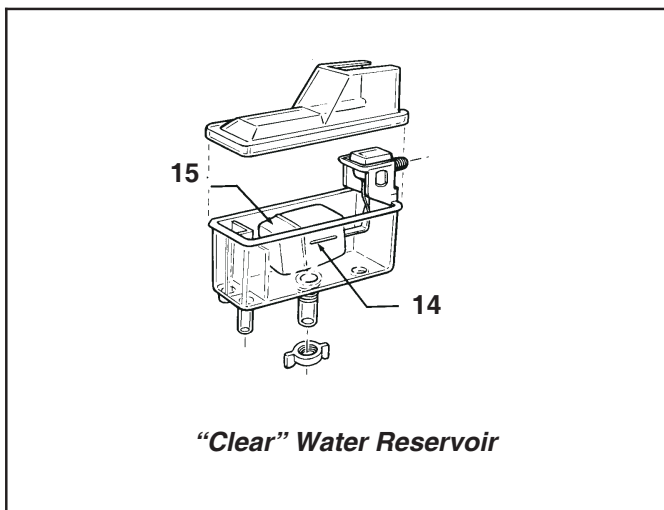
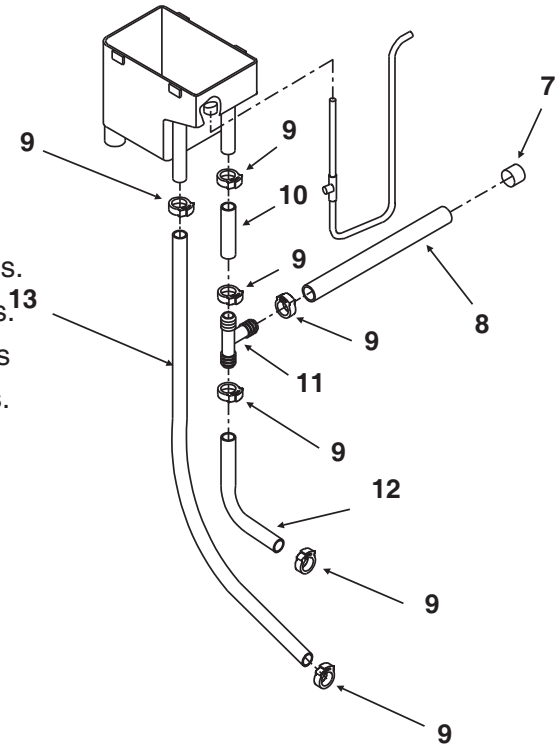
ITEM NUMBER	PART NUMBER	DESCRIPTION
Beige Reservoir Used Up To September 1994		
1	02-2936-01	Reservoir cover
2	A32929-020	Reservoir assembly
3	no number	Compression fitting, included with item 2.
4	no number	Reservoir mounting bracket.
5	13-0230-00	Rubber cap
	02-2814-10	Hose clamp
6	A32907-001	Float assembly
	02-3190-01	Valve seat, included with float
7	13-0840-01	Rubber plug for beige reservoir
	13-0859-01	Rubber plug for clear reservoir
8	13-0674-06	Drain tube, 6" req. for beige res.
	13-0674-04	Drain tube, 12" req. for clear res.
9	02-2814-08	Hose clamp
10	13-0674-06	Outlet tube, 5" req. for beige res.
	13-0674-04	Outlet tube, 4" req. for clear res.
11	16-0670-02	Tee
12	13-0674-06	Evap. inlet tube 5" req. for beige res.
	13-0674-04	Evap. inlet tube, 6" req. for clear res.
13	13-0674-06	Overflow tube, 30" req. for beige res
	13-0079-03	Overflow tube, 32" req. for clear res.

**Clear Reservoir, use began: AF300A, sn 75544-02Z
AF300W, sn 764423-03Z**

14	02-2217-01	Reservoir & valve
15	02-2217-02	Float valve



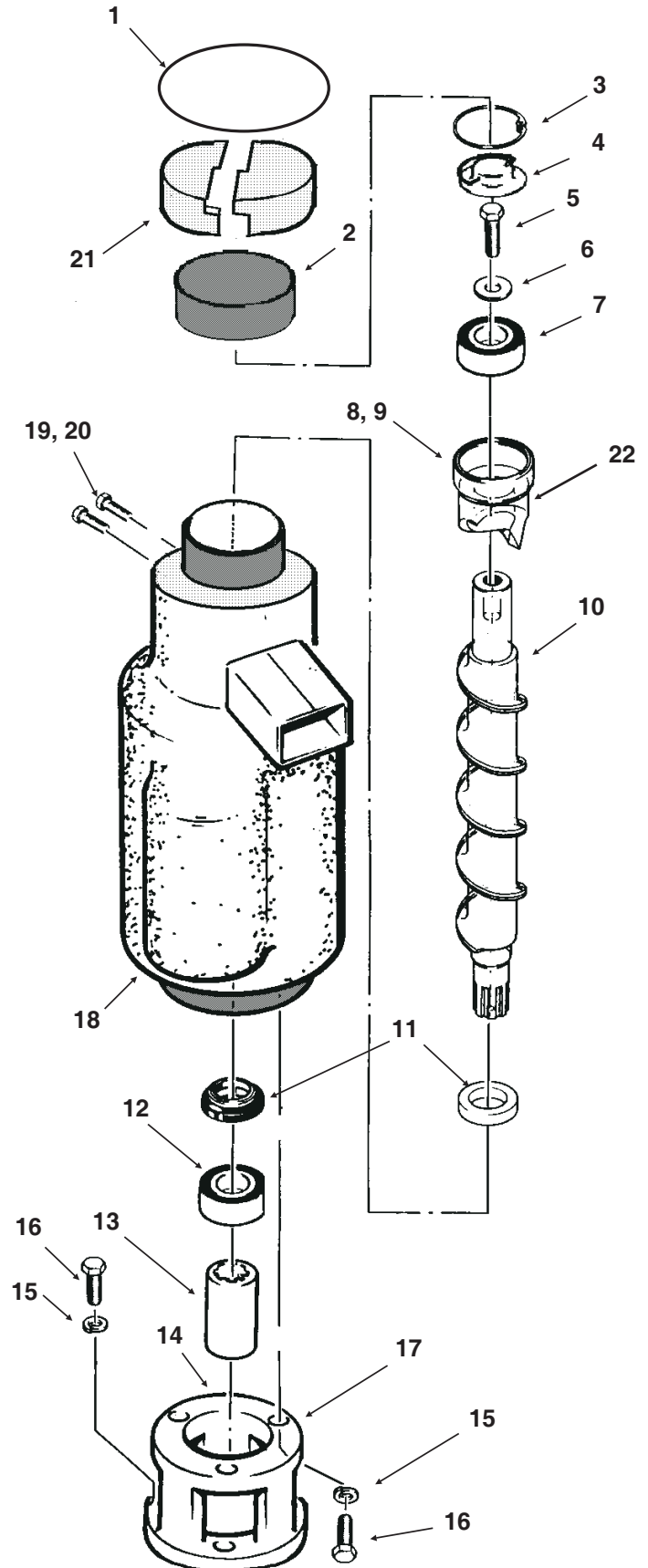
Reservoir Details



AF300 SERVICE PARTS

Evaporator

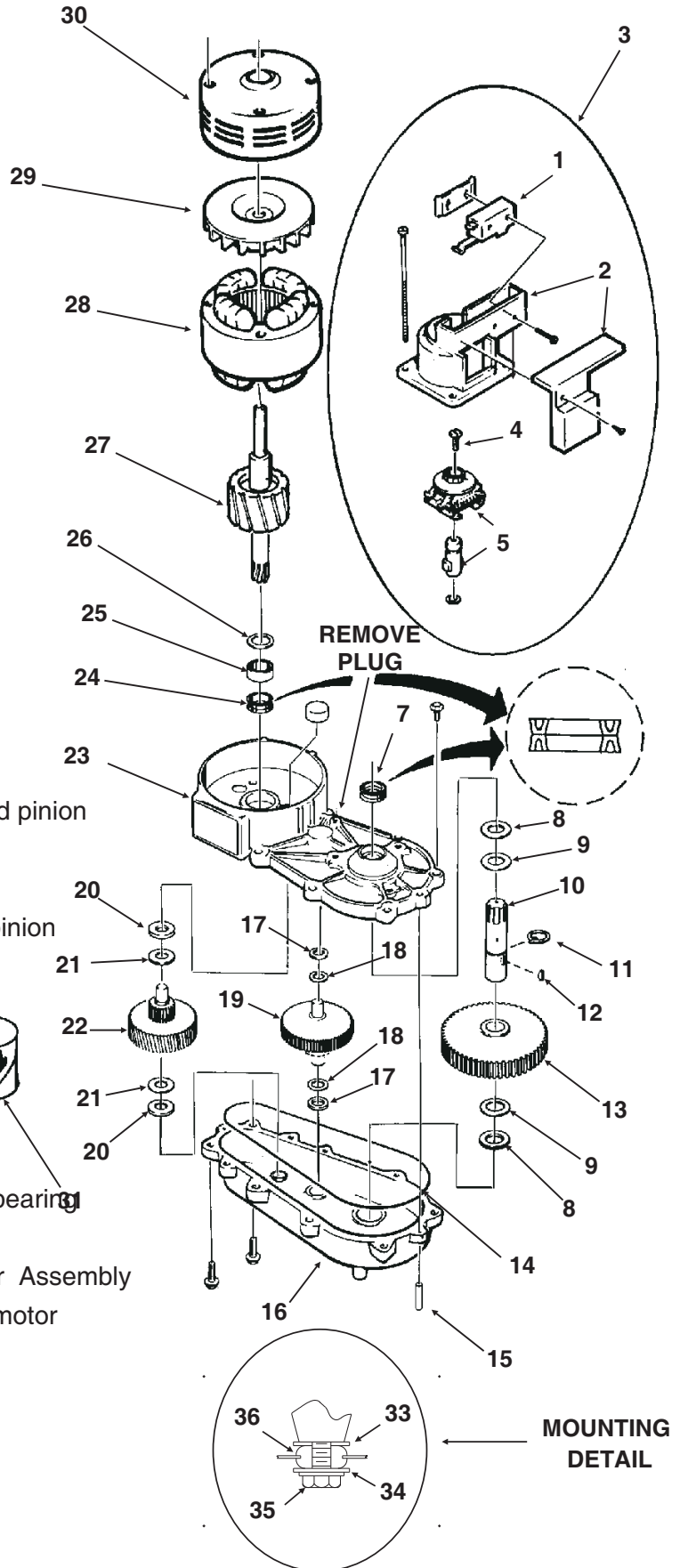
ITEM NUMBER	PART NUMBER	DESCRIPTION
1	13-0617-46	O-Ring
2	13-0887-01	Top Cap
3	03-1558-03	Retainer Ring
4	A077701-000	Cap
5	03-0758-00	Screw
6	A07699-000	Washer
7	02-0547-20	Top Bearing
8	13-0617-16	O-Ring (inside)
9	A09413-020	Breaker with Bearing
Includes 7,8,9 and replacements for 1,2,3,4 21		
10	A29480-020	Auger
11	02-1300-01	Water Seal
12	02-0417-20	Lower Bearing
13	A29915-002	Spline Coupling
14	03-1505-00	Gasket
15	03-1410-04	Washer (3)
16	03-1420-01	Cap Screw (3)
17	08-0595-01	Adapter
18	A35410-020	Evaporator*
19	03-1417-07	Washer
20	03-1403-46	Screw
21	13-0886-01	Foam cap (half)
22	13-0617-37	O-Ring, outside of breaker



* Not available as an assembly.

AF300 SERVICE PARTS GEARMOTOR

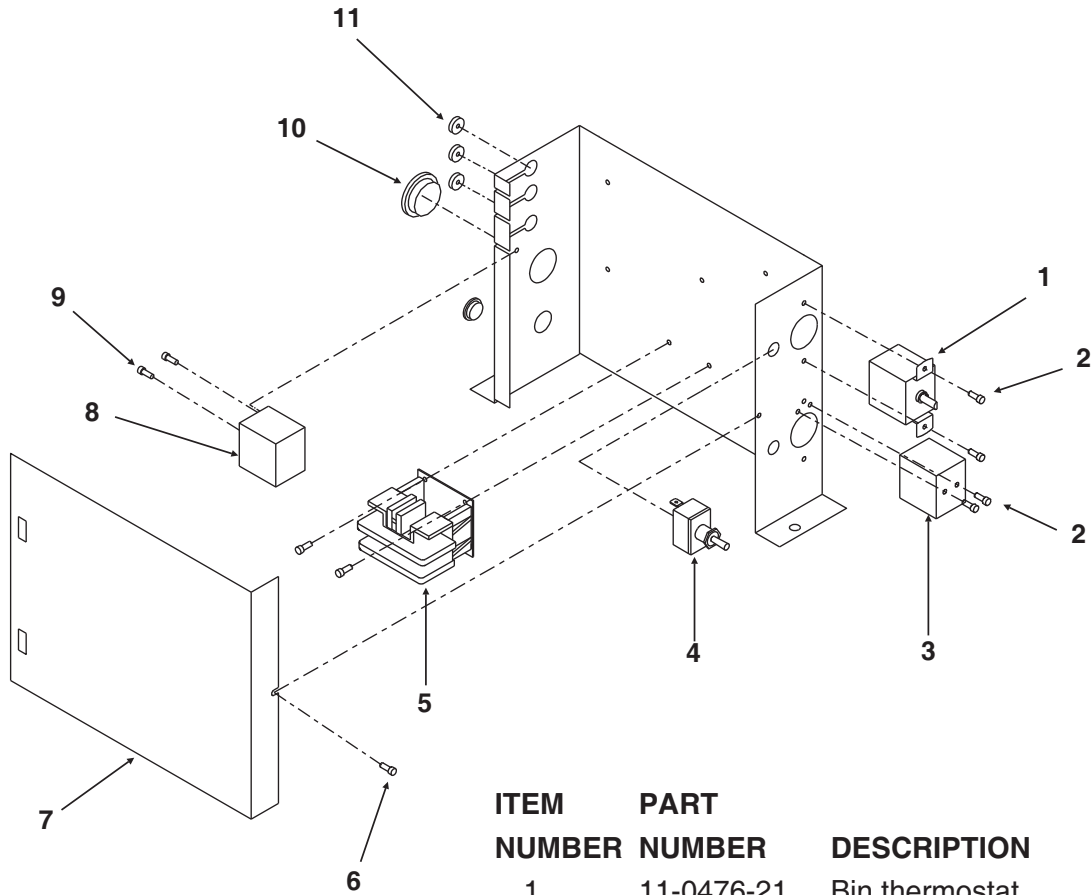
ITEM NUMBER	PART NUMBER	DESCRIPTION
1.	12-2059-01	Switch
2.	none, part of item 3	
3.	A27494-001	Centrifugal Sw. Kit
4.	03-1403-77	Screw
5.	A30579-001	Shaft and Actuator
6.	03-1408-36	Washer
7.	02-1503-00	Grease seal
8.	03-1408-21	Washer**
9.	03-1408-04	Washer**
10.	02-2445-01	Output shaft**
11.	03-1515-03	Retaining ring**
12.	03-1602-01	Woodruff Key**
13.	02-2444-01	Output gear**
14.	02-1505-00	O-ring for A31977**
	13-0628-00	Gasket for 02-4399
15.	03-0774-11	Roll pin**
16.	A28166-001	Gear Case
17.	03-1408-39	Washer
18.	03-1408-40	Washer shim
19.	02-2439-01	Second gear and third pinion
20.	03-1408-41	Washer
21.	03-1408-38	Washer
22.	02-2438-01	First gear & second pinion
23.	A28165-021	Gear box cover
24.	02-3969-20	Grease seal
25.	02-1501-00	Bearing
26.	03-1408-08	Washer
27 or 28	A37707-021	Motor kit
29.	A28168-001	Fan
30.	A38487-001	Motor Housing with bearing
31.	A32379-021	Oil
32.	02-4399-21	Complete Gear Motor Assembly
	02-4398-21	Gear reducer kit, no motor
33.	A24295-001	Spacer
34.	03-1408-02	Washer
35.	03-1405-45	Screw
36.	13-0639-00	Grommet



* Motor kit includes 25, 26, 27, 28, 29 and 30

** Does not apply to replacement gear reducer 02-4399-01 or 02-4398-21

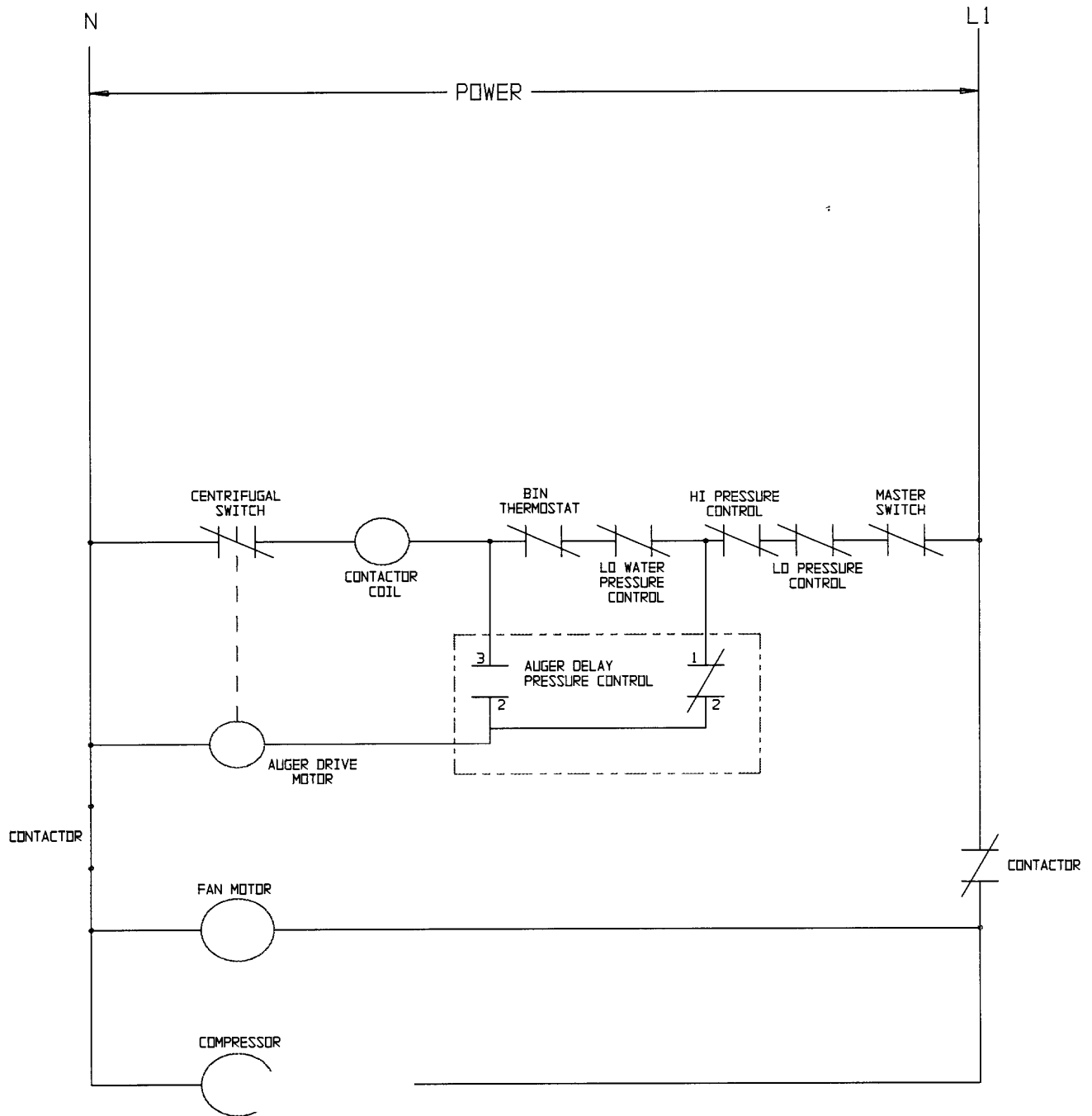
AF300 SERVICE PARTS CONTROL BOX



ITEM NUMBER	PART NUMBER	DESCRIPTION
1	11-0476-21	Bin thermostat
2	03-1403-15	Machine screw
3	11-0420-23	Low pressure control
4	12-0426-01	Toggle switch, spst
5	12-2469-03	Contactor
6	03-1404-29	Sheet metal screw
7	no number	Control box cover
8	11-0474-21	Auger delay control
9	03-1403-02	Screw
10	12-1213-11	Snap bushing
11	13-0727-00	Grommet
Not Illustrated and Not in the control box:		
12	11-0296-00	Water pressure switch

AF300 SERVICE PARTS SCHEMATIC DIAGRAM

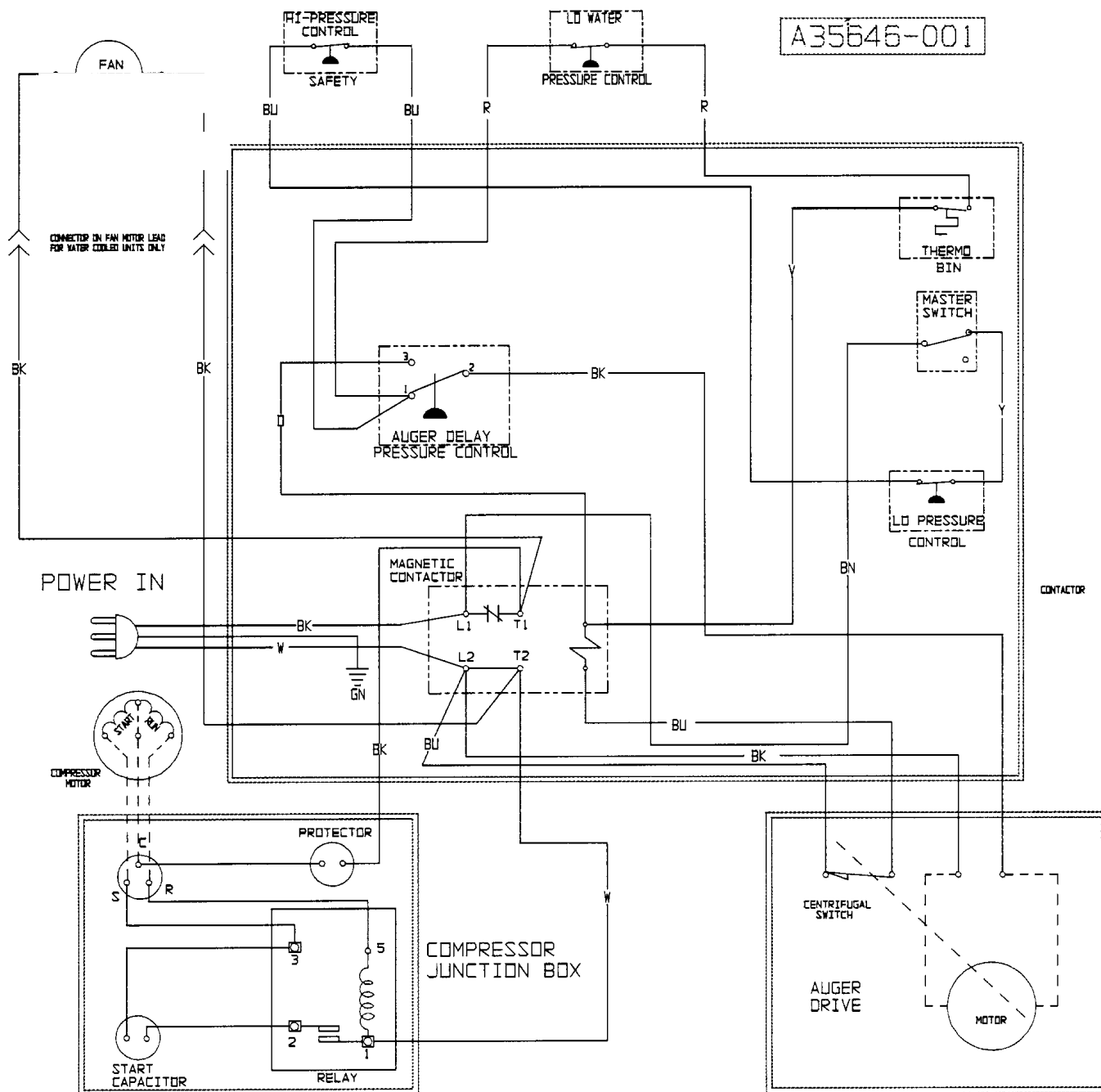
115/60/1



AF300 SERVICE PARTS

WIRING DIAGRAM

115/60/1



ALL CONTROLS SHOWN IN NORMAL ICE MAKING MODE
THIS UNIT MUST BE GROUNDED