

CM500RE SERVICE PARTS

This section contains the parts illustrations and parts lists for the CM500RE.

A "no number" designation, when found in the part number column, indicates the part in question is not available from Scotsman as an assembly. This designation is used only for clarity in making the list.

When ordering parts, to avoid costly delays and errors, give the part number, the complete description as shown in the list, and the quantity of each part or assembly required.

CM500R's have been manufactured in "C", "D" and "E" series (as in CM500RE-32E).

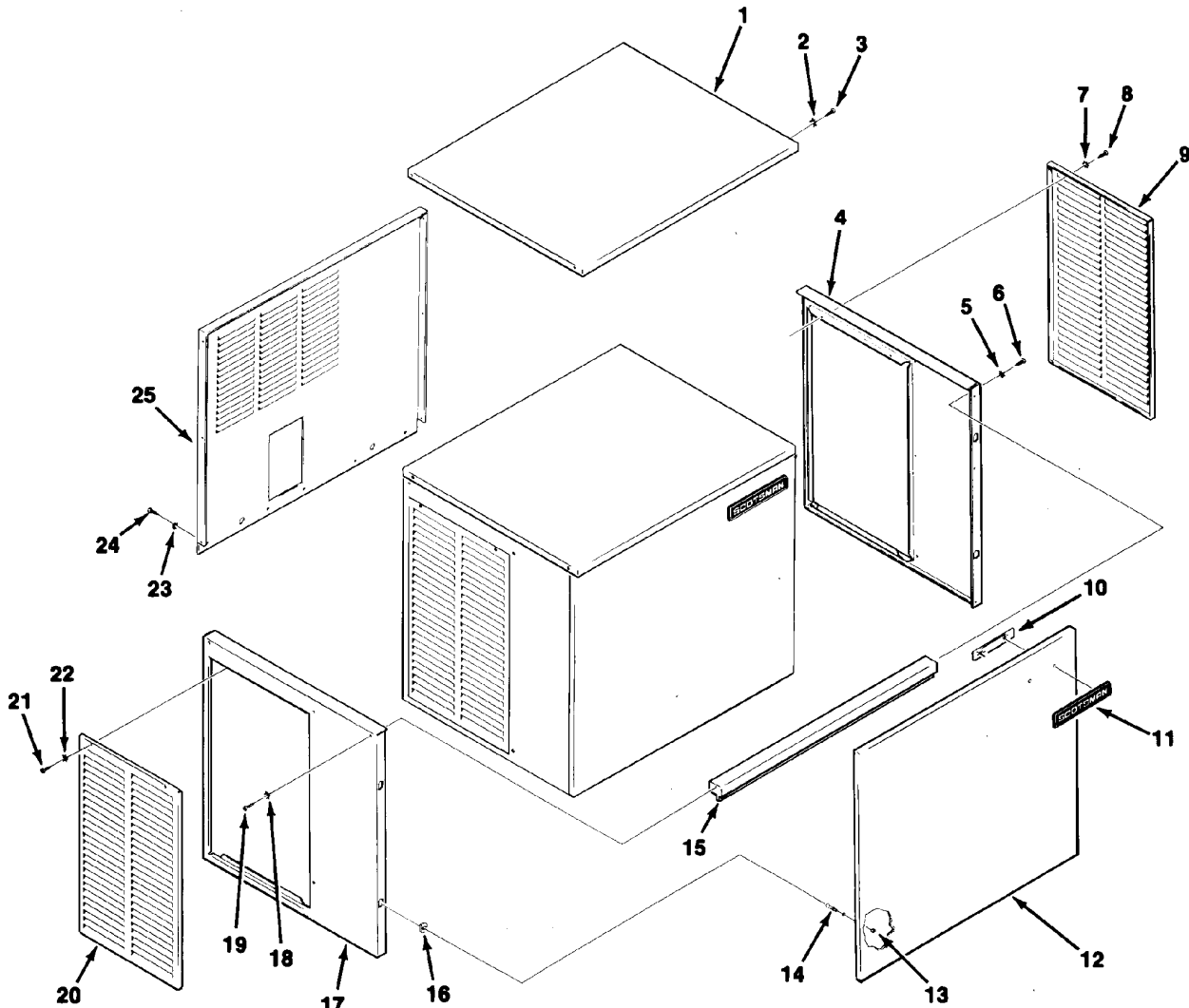
Check the complete model number to be certain of ordering the correct part.

TABLE OF CONTENTS

| | |
|----------------------------|---|
| Exterior Panels | 2 |
| Interior Panels | 3 |
| Refrigeration | 4 |
| Water System | 5 |
| Control Box | 6 |
| Remote Condenser | 7 |
| Wiring Diagrams | 8 |

CM500RE SERVICE PARTS

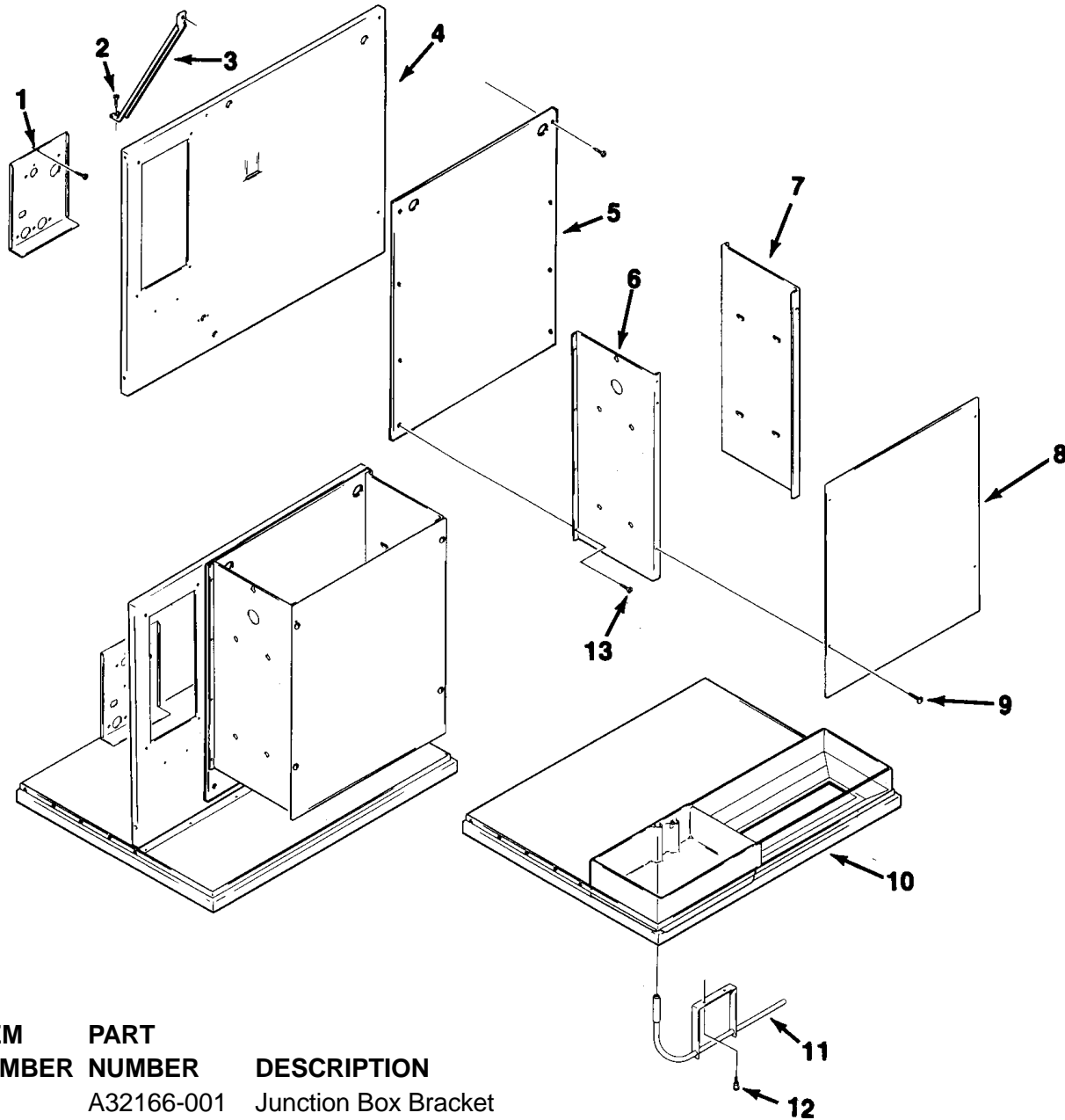
CABINET ASSEMBLY: D and E series. C series parts are obsolete



| ITEM NUMBER | PART NUMBER | DESCRIPTION | ITEM NUMBER | PART NUMBER | DESCRIPTION |
|-------------|-------------|------------------------|--|-------------|---------------------------|
| 1 | A32159-001 | Top Panel, Painted | 13 | 03-1406-04 | Nut |
| | A32159-002 | Top Panel, S. S. | 14 | 15-0411-00 | Strike |
| 2 | 03-1417-03 | Lockwasher | 15 | A32169-001 | Front Support |
| 3 | 03-1531-01 | Screw | 16 | 02-0836-00 | Cabinet Catch |
| 4 | A32162-001 | Right End Panel, Paint | 17 | A32163-001 | Left End Panel, Paint |
| | A32162-002 | Right End Panel, S.S. | | A32163-002 | Left End Panel, S.S. |
| 5 | 03-1417-03 | Lockwasher | 18 | 03-1417-03 | Lockwasher |
| 6 | 03-1531-01 | Screw | 19 | 03-1531-01 | Screw |
| 7 | 03-1417-03 | Lockwasher | 20 | A33946-001 | Service Panel, sandalwood |
| 8 | 03-1404-12 | Screw | | A33946-002 | Service Panel, gray |
| 9 | A32161-001 | Service Panel, Painted | Item 20 parts are plastic, fit late D and all E series | | |
| | A32161-002 | Service Panel, S.S. | 21 | 03-1404-12 | Screw |
| 10 | 03-0271-00 | Speed Nut | 22 | 03-1412-03 | Lockwasher |
| 11 | 15-0711-01 | Emblem | 23 | 03-1417-03 | Lockwasher |
| 12 | A32160-001 | Front Panel, Painted | 24 | 03-1531-01 | Screw |
| | A32160-002 | Front Panel, S.S. | 25 | A32201-001 | Back Panel |

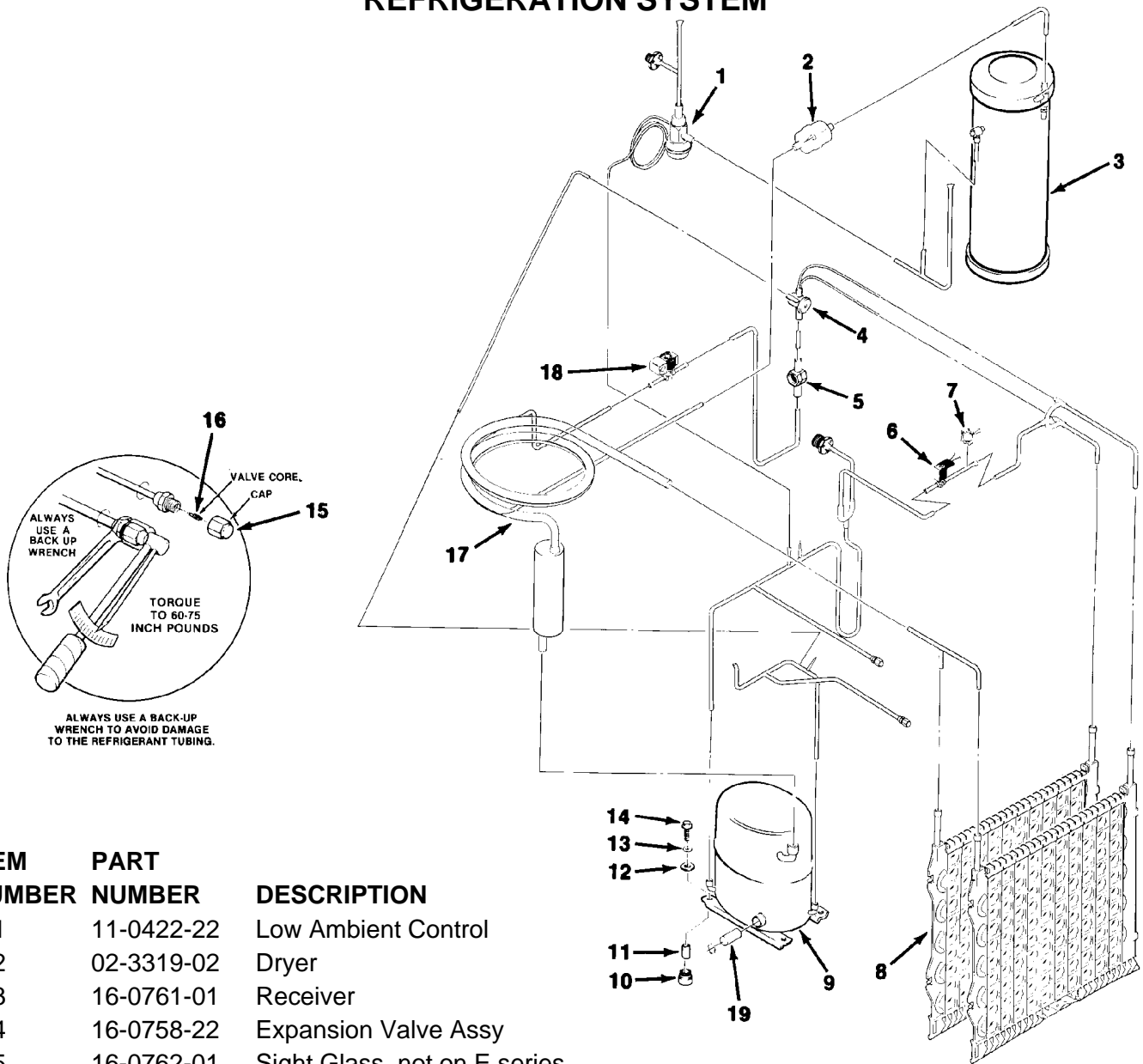
CM500RE SERVICE PARTS

CABINET INTERIOR: D and E series. C series parts are obsolete.



| ITEM NUMBER | PART NUMBER | DESCRIPTION |
|-------------|-------------|---------------------------|
| 1 | A32166-001 | Junction Box Bracket |
| 2 | 03-1645-01 | Screw |
| 3 | A32210-001 | Support Brace |
| 4 | A32158-001 | Retainer |
| 5 | 02-2867-01 | Splash Panel |
| 6 | A32172-001 | Evaporator Bracket, Right |
| 7 | A32173-001 | Evaporator Bracket, Left |
| 8 | A32165-001 | Evaporator Plate Cover |
| 9 | 03-0727-09 | Thumbscrew |
| 10 | A32153-001 | Base |
| 11 | A32262-001 | Bin Thermostat Bracket |
| 12 | 03-0727-09 | Thumbscrew |
| 13 | 03-1531-02 | Screw |

CM500RE SERVICE PARTS REFRIGERATION SYSTEM

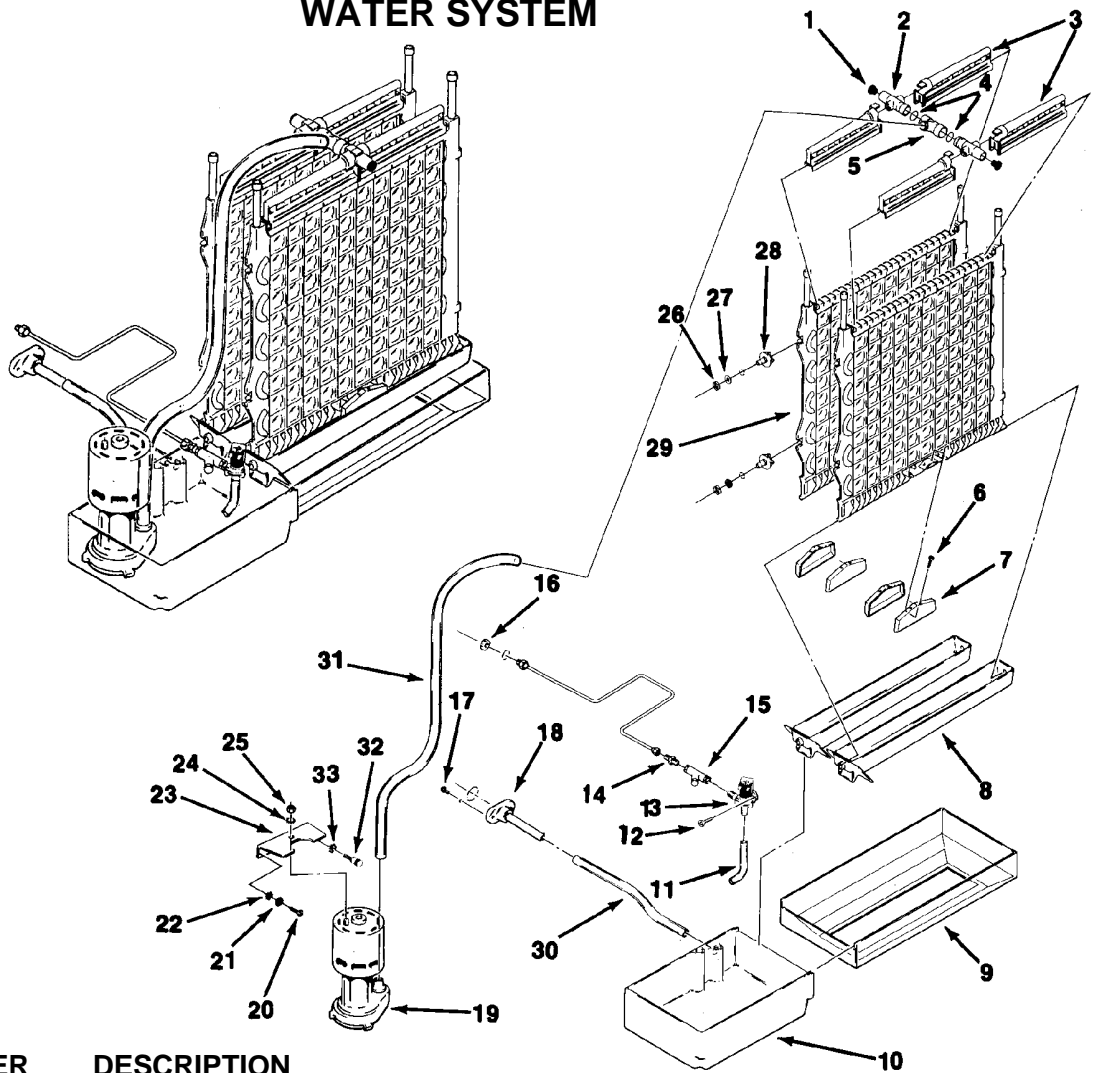


| ITEM NUMBER | PART NUMBER | DESCRIPTION |
|-------------|-------------|---------------------------------|
| 1 | 11-0422-22 | Low Ambient Control |
| 2 | 02-3319-02 | Dryer |
| 3 | 16-0761-01 | Receiver |
| 4 | 16-0758-22 | Expansion Valve Assy |
| 5 | 16-0762-01 | Sight Glass, not on E series. |
| 6 | 12-2257-22 | Hot Gas Valve |
| 7 | 12-2300-03 | Hi Temperature Cut Out |
| 8 | A30296-020 | Evaporator Plate |
| 9 | 18-6100-01 | Compressor 115/60/1. C-D series |
| | 18-6100-50 | Overload for compressor |
| | 18-8711-01 | Compressor 115/60/1. E series |
| | 18-8711-50 | Overload for compressor |
| 10 | 18-6800-01 | Mounting Grommet |
| 11 | 18-2300-26 | Sleeve |
| 12 | 03-1407-07 | Washer, 5/16 |
| 13 | no number | Washer |
| 14 | 03-1405-20 | Screw, 5/16-18 |
| 15 | 16-0563-00 | Valve Cap |
| 16 | 15-0560-00 | Valve Core |

| ITEM NUMBER | PART NUMBER | DESCRIPTION |
|-------------|-------------|----------------------------|
| 17 | A31132-020 | Heat exchanger. C series |
| | A33205-020 | Heat Exch. D and E series |
| 18 | 12-2274-02 | Liquid Line Solenoid Valve |
| 19 | 18-1868-01 | Crankcase Heater |

CM500RE SERVICE PARTS

WATER SYSTEM

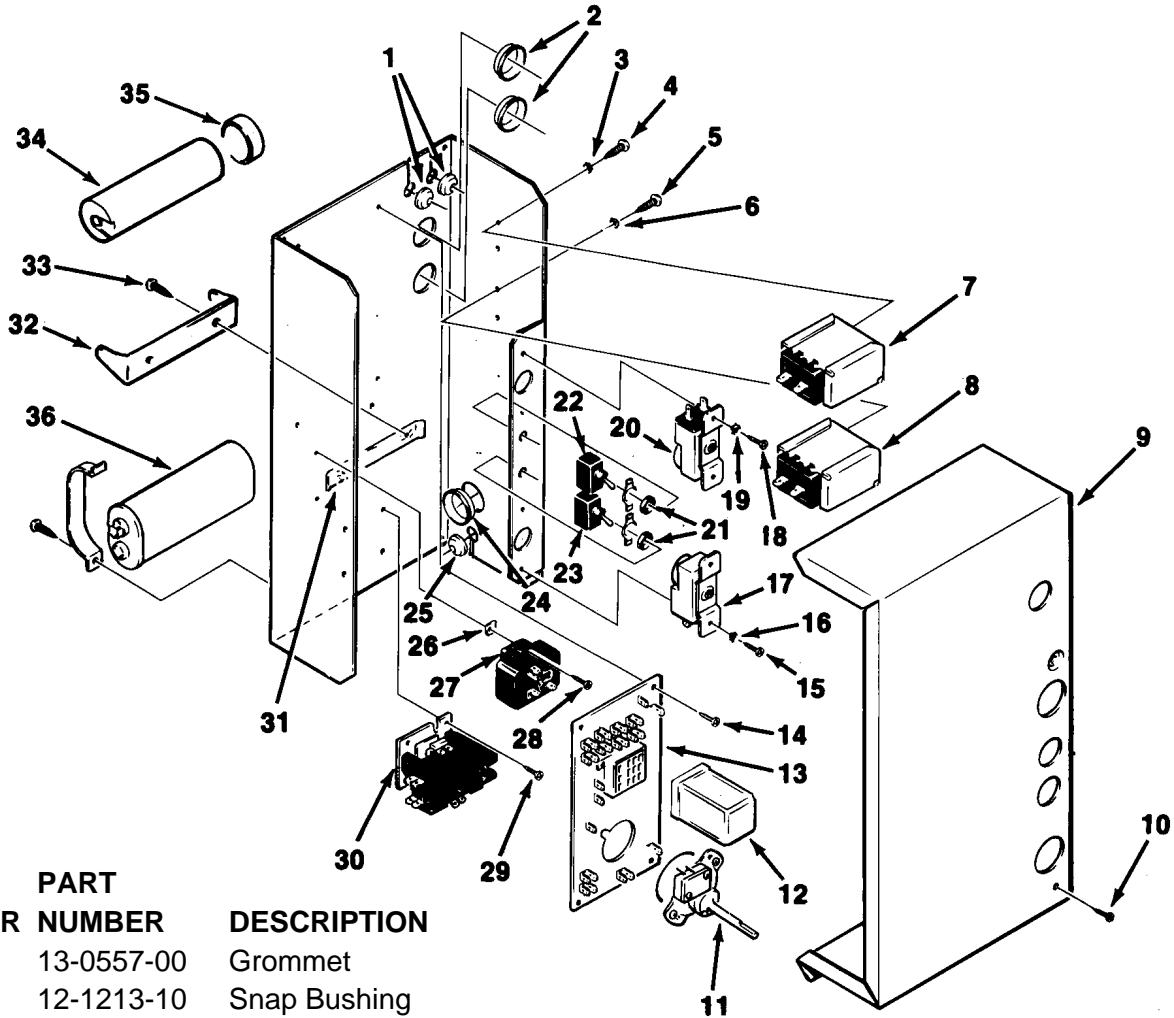


| ITEM NUMBER | PART NUMBER | DESCRIPTION |
|-------------|-------------|------------------------------------|
| 1 | 13-0840-01 | Manifold Plug |
| 2 | A29703-001 | Manifold Water Tube |
| 3 | 02-2527-01 | Water Distrib. Tube |
| 4 | 13-0617-48 | O-Ring (2) |
| 5 | 02-2519-01 | Plastic Tee |
| 6 | 03-1404-10 | Screw |
| 7 | 02-2878-01 | Sump End Cover |
| 8 | 02-2868-01 | Drain Trough |
| 9 | no number | Cube Chute |
| 10 | 02-2812-01 | Sump for C series |
| | 02-2869-01 | Sump for all others |
| 11 | A30918-001 | Sump Inlet Tube C thru early E |
| 12 | 03-1531-01 | Screw |
| 13 | 12-2201-04 | Solenoid Valve C series |
| | 12-2313-04 | Solenoid valve, for D and E series |
| 14 | 16-0791-01 | Half Union |
| 15 | 16-0162-00 | Stainer D and early E series only |
| 16 | 03-1394-01 | Pal Nut |

| ITEM NUMBER | PART NUMBER | DESCRIPTION |
|-------------|-------------|-----------------------|
| 17 | 03-1645-01 | Screw |
| 18 | A32282-003 | Drain Assembly |
| 19 | 12-2265-21 | Water Pump Assembly |
| 20 | 03-1403-17 | Screw |
| 21 | 03-1407-03 | Washer |
| 22 | 03-1408-31 | Washer |
| 23 | A30914-002 | Pump Mounting Bracket |
| 24 | 03-1417-05 | Lockwasher |
| 25 | 03-1406-05 | Nut |
| 26 | 03-1394-03 | Pal Nut |
| 27 | 03-1408-34 | Special Washer |
| 28 | 02-2642-01 | Plate Mount |
| 29 | A30296-020 | Evaporator |
| 30 | 13-0674-07 | Drain Hose, 8" |
| 31 | 13-0674-07 | Pump Hose, 33" |
| 32 | 03-0727-09 | Thumbscrew |
| 33 | 03-1417-03 | Lockwasher |

CM500RE SERVICE PARTS

CONTROL BOX

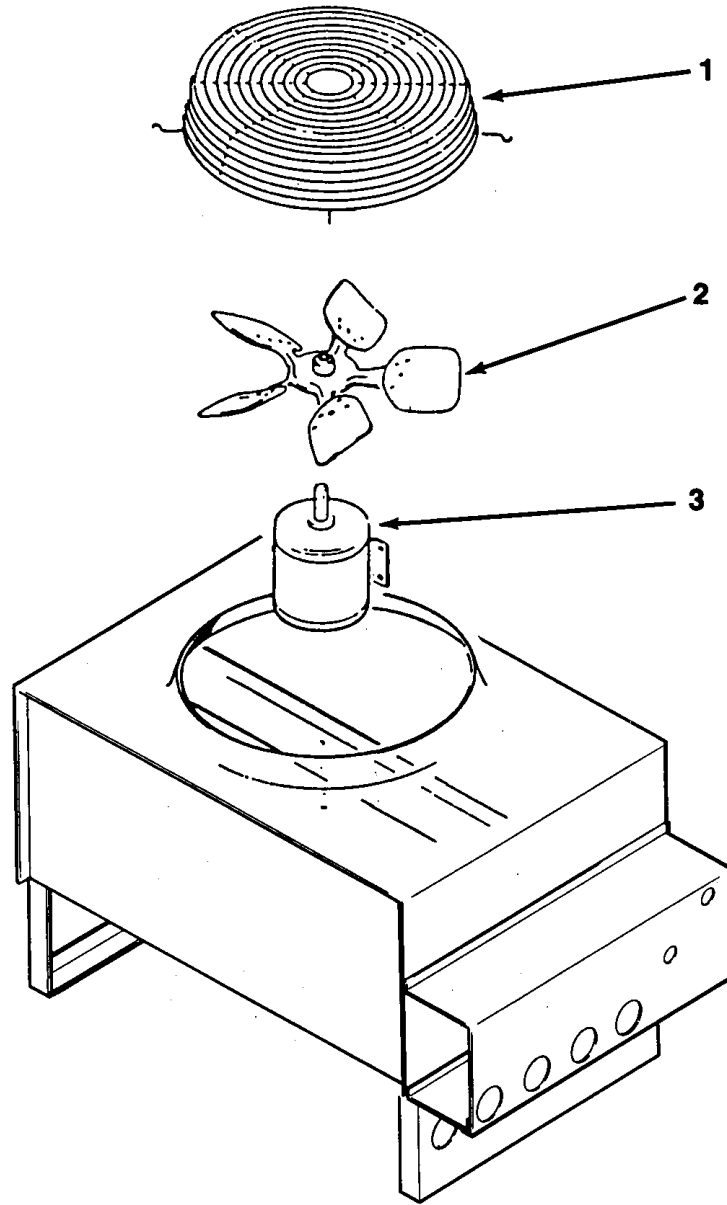


| ITEM NUMBER | PART NUMBER | DESCRIPTION |
|-------------|-------------|------------------------|
| 1 | 13-0557-00 | Grommet |
| 2 | 12-1213-10 | Snap Bushing |
| 3 | 03-1417-18 | Lockwasher |
| 4 | 03-1403-02 | Screw |
| 5 | 03-1403-02 | Screw |
| 6 | 03-1417-18 | Lockwasher |
| 7 | 11-0420-21 | Low Press Control Sw |
| 8 | 11-0429-21 | High Press. Safety Sw. |
| 9 | A32168-001 | Control Box Cover |
| 10 | 03-1531-01 | Screw |
| 11 | 12-1980-01 | Timer & Switch |
| 12 | 12-1879-02 | Relay, 115 V |
| 13 | 12-1912-01 | Circuit Board |
| 14 | 03-1403-02 | Screw |
| 15 | 03-1403-05 | Screw |
| 16 | 03-1417-03 | Lockwasher |
| 17 | 11-0427-22 | Bin Thermostat |
| 18 | 03-1403-05 | Screw |
| 19 | 03-1417-03 | Lockwasher |
| 20 | 11-0435-21 | Cube Size Control |
| 21 | 03-1417-16 | Lockwasher |

| ITEM NUMBER | PART NUMBER | DESCRIPTION |
|-------------|-------------|------------------------------|
| 22 | 12-2255-01 | Switch |
| 23 | 12-0426-01 | Switch |
| 24 | 12-1213-17 | Snap Bushing |
| 25 | 13-0557-00 | Grommet |
| 26 | 03-1423-01 | Speed Nut |
| 27 | 18-1903-44 | Potential Relay C & D series |
| | 18-1903-50 | Potential relay, E series |
| 28 | 03-1403-02 | Screw |
| 29 | 03-1403-15 | Screw |
| 30 | 12-2469-03 | Contactors, |
| 31 | 03-1103-00 | Twin Speed Nut |
| 32 | 18-2200-39 | Start Capacitor Bracket |
| 33 | 03-1403-15 | Screw |
| 34 | 18-1901-42 | Start Capacitor C & D series |
| | 18-1901-03 | Start Capacitor, E series |
| 35 | 18-2200-38 | Start Capacitor Cap. |
| 36 | 18-1902-45 | Run Capacitor, E series only |

CM500RE SERVICE PARTS

REMOTE CONDENSER



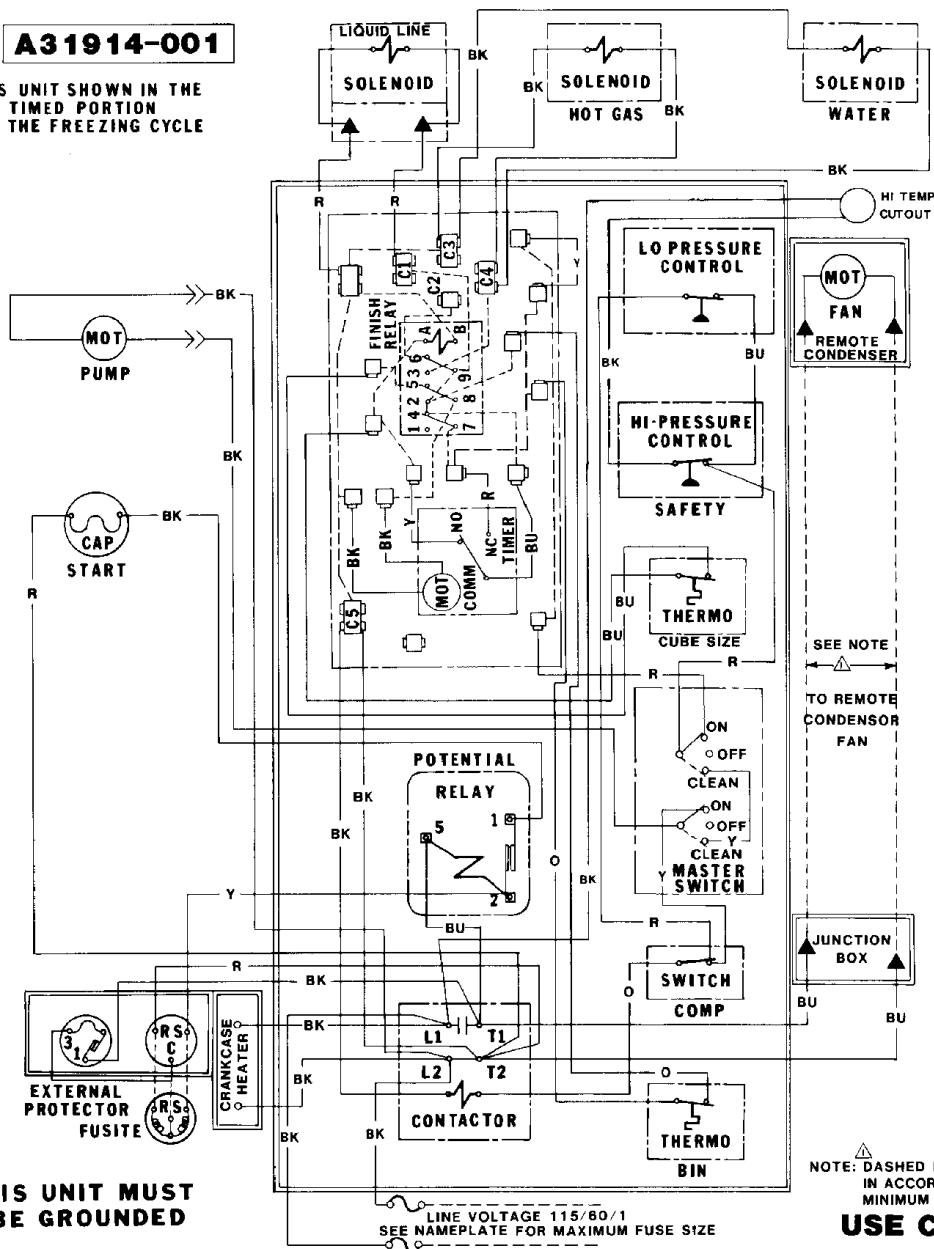
RC551

| ITEM NUMBER | PART NUMBER | DESCRIPTION |
|-------------|-------------|-------------|
| 1 | 02-2618-01 | Fan Guard |
| 2 | 18-3733-01 | Fan Blade |
| 3 | 18-6305-01 | Fan Motor |

A31914-001

THIS UNIT SHOWN IN THE
TIMED PORTION OF
THE FREEZING CYCLE

Wiring Diagram CM500R-1D

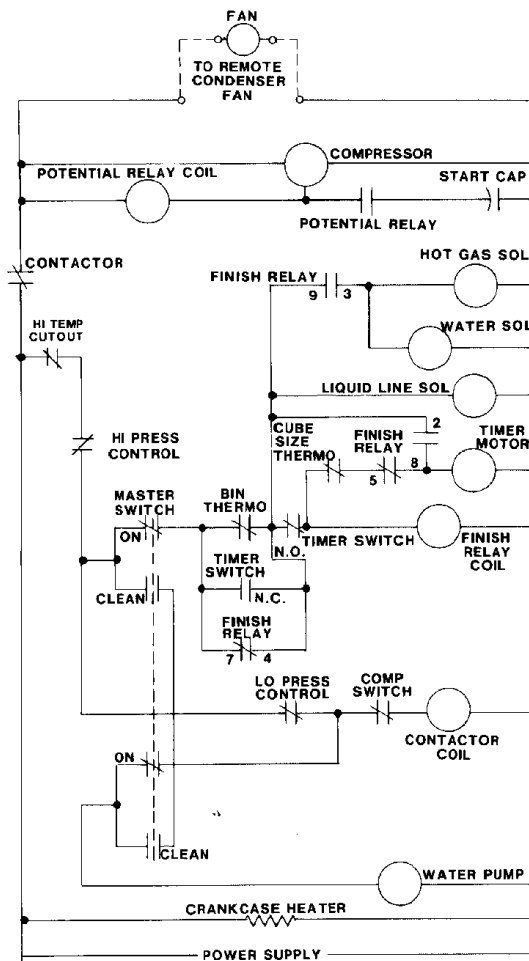


**THIS UNIT MUST
BE GROUNDED**

LINE VOLTAGE 115/60/1
SEE NAMEPLATE FOR MAXIMUM FUSE SIZE

CAUTION:

MORE THAN ONE DISCONNECT MEANS
MAY BE REQUIRED TO DISCONNECT ALL
POWER TO THIS UNIT



NOTE: DASHED LINES INDICATE FIELD WIRING WHICH MUST BE INSTALLED
IN ACCORDANCE WITH THE NATIONAL ELECTRICAL CODE USING A
MINIMUM OF 14 GA AWG WIRE.

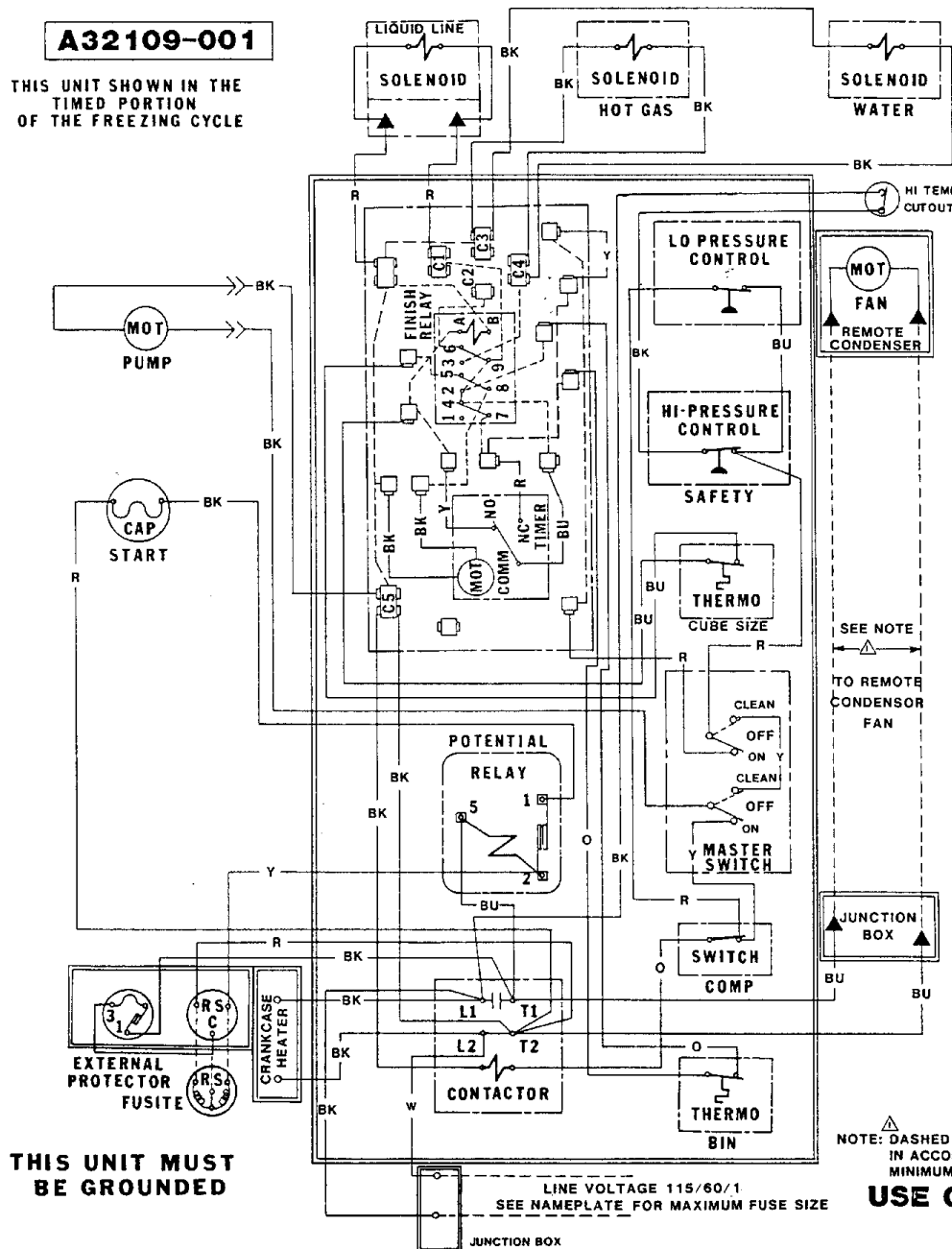
USE COPPER CONDUCTORS ONLY

CM500RE SERVICE PARTS

A32109-001

THIS UNIT SHOWN IN THE
TIMED PORTION
OF THE FREEZING CYCLE

Wiring Diagram CM500R-1D



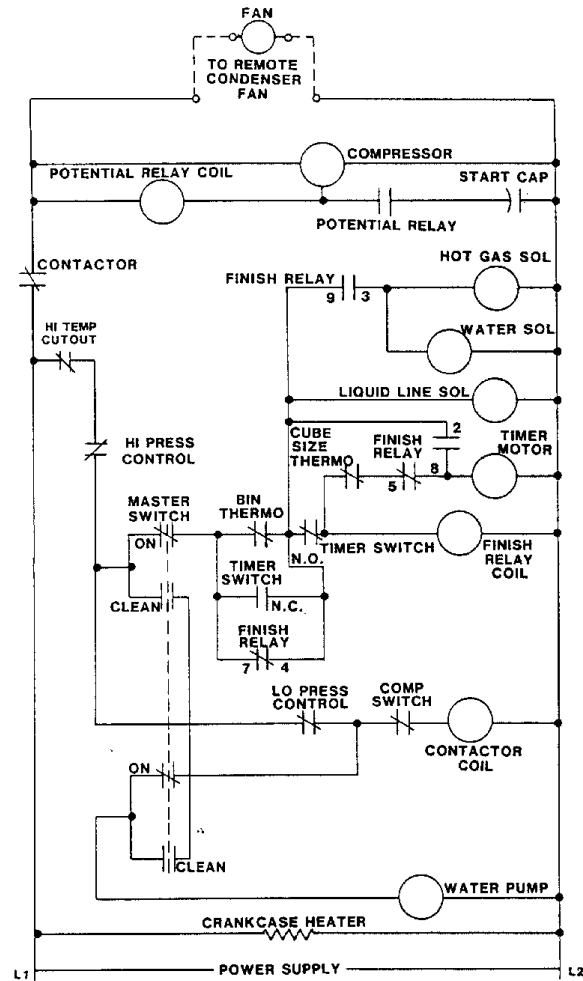
**THIS UNIT MUST
BE GROUND**

LINE VOLTAGE 115/60/1
SEE NAMEPLATE FOR MAXIMUM FUSE SIZE

JUNCTION BOX

CAUTION:

MORE THAN ONE DISCONNECT MEANS
MAY BE REQUIRED TO DISCONNECT ALL
POWER TO THIS UNIT



NOTE: DASHED LINES INDICATE FIELD WIRING WHICH MUST BE INSTALLED
IN ACCORDANCE WITH THE NATIONAL ELECTRICAL CODE USING A
MINIMUM OF 14 GA AWG WIRE.

USE COPPER CONDUCTORS ONLY

CM500RE SERVICE PARTS

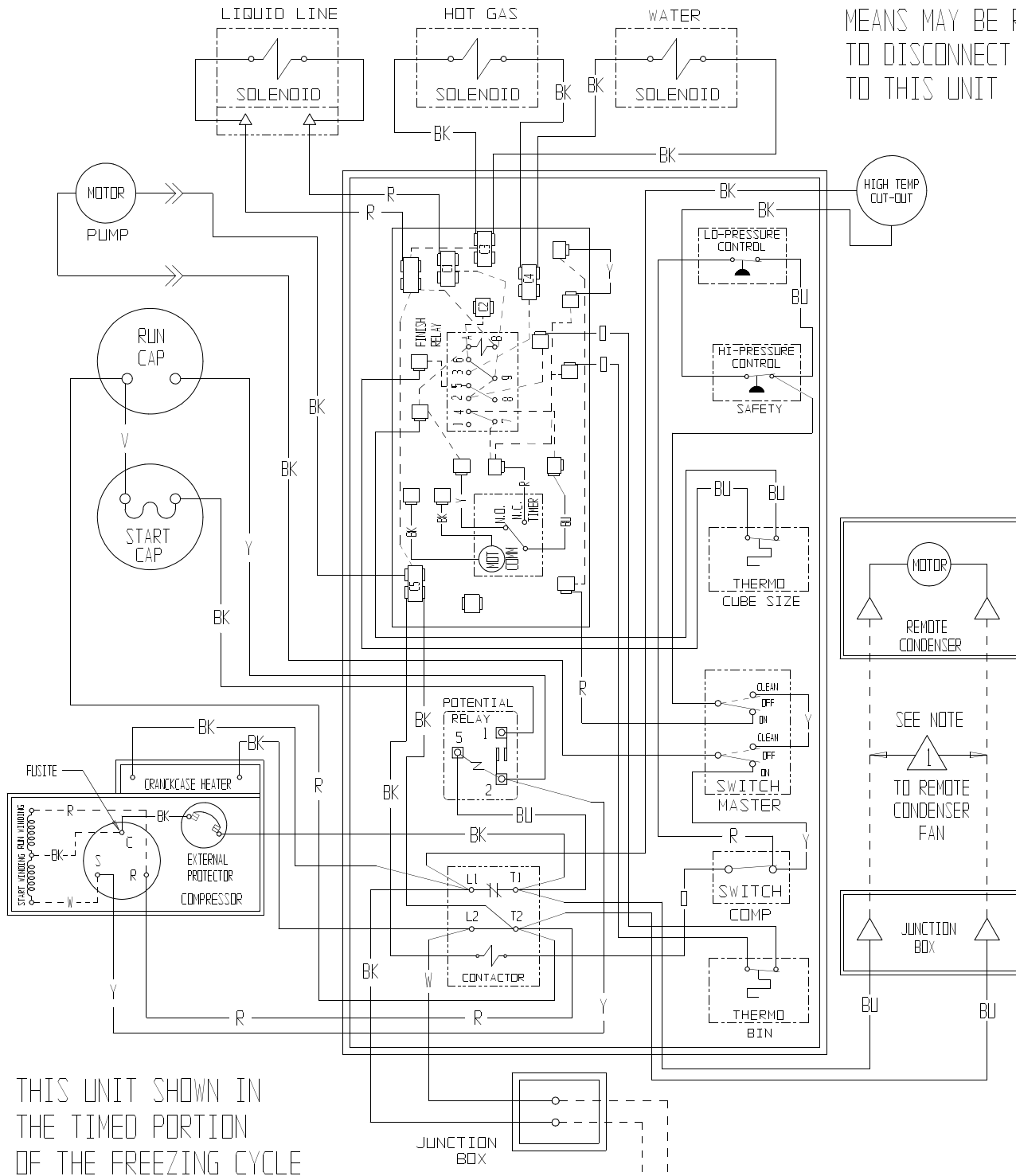
CM500RE SERVICE PARTS

CM500RE-1E Wiring Diagram

A35538-001

THIS UNIT MUST BE GROUNDED

CAUTION:
MORE THAN ONE DISCONNECT
MEANS MAY BE REQUIRED
TO DISCONNECT ALL POWER
TO THIS UNIT



THIS UNIT SHOWN IN
THE TIMED PORTION
OF THE FREEZING CYCLE

LINE VOLTAGE 115/60/1
SEE NAMEPLATE FOR MAXIMUM FUSE SIZE

USE COPPER CONDUCTORS ONLY

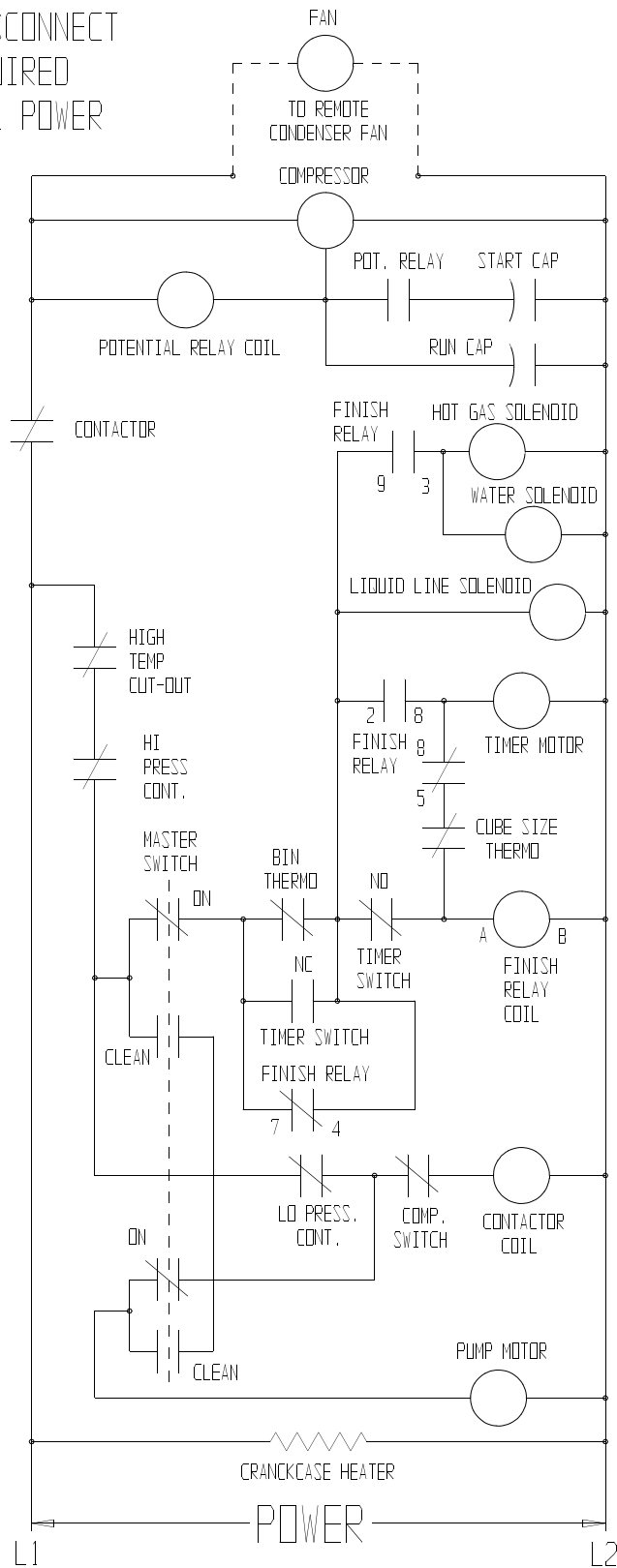


NOTE: DASHED LINES INDICATE FIELD WIRING WHICH MUST BE INSTALLED IN ACCORDANCE WITH THE NATIONAL ELECTRICAL CODE AND ALL STATE AND LOCAL CODES USING A MINIMUM OF 14 GA AWG WIRE.

CM500RE SERVICE PARTS

CM500RE-1E Wiring Diagram

CAUTION:
 MORE THAN ONE DISCONNECT
 MEANS MAY BE REQUIRED
 TO DISCONNECT ALL POWER
 TO THIS UNIT



NOTE: DASHED LINES INDICATE FIELD WIRING WHICH MUST BE INSTALLED IN ACCORDANCE WITH THE NATIONAL ELECTRICAL CODE AND ALL STATE AND LOCAL CODES USING A MINIMUM OF 14 GA AWG WIRE.