

CME865W & CME1002W SERVICE PARTS

This parts list contains the parts for the **CME865W** and the **CME1002W**. The model number of the machine is located on the ice machine in two places: on the back panel, and behind the front panel below the control box.

Check the model number to be certain of obtaining the correct parts. Some machines are 50 Hz. They have a "-6" at the end of the model number, such as CME1002WE-6A

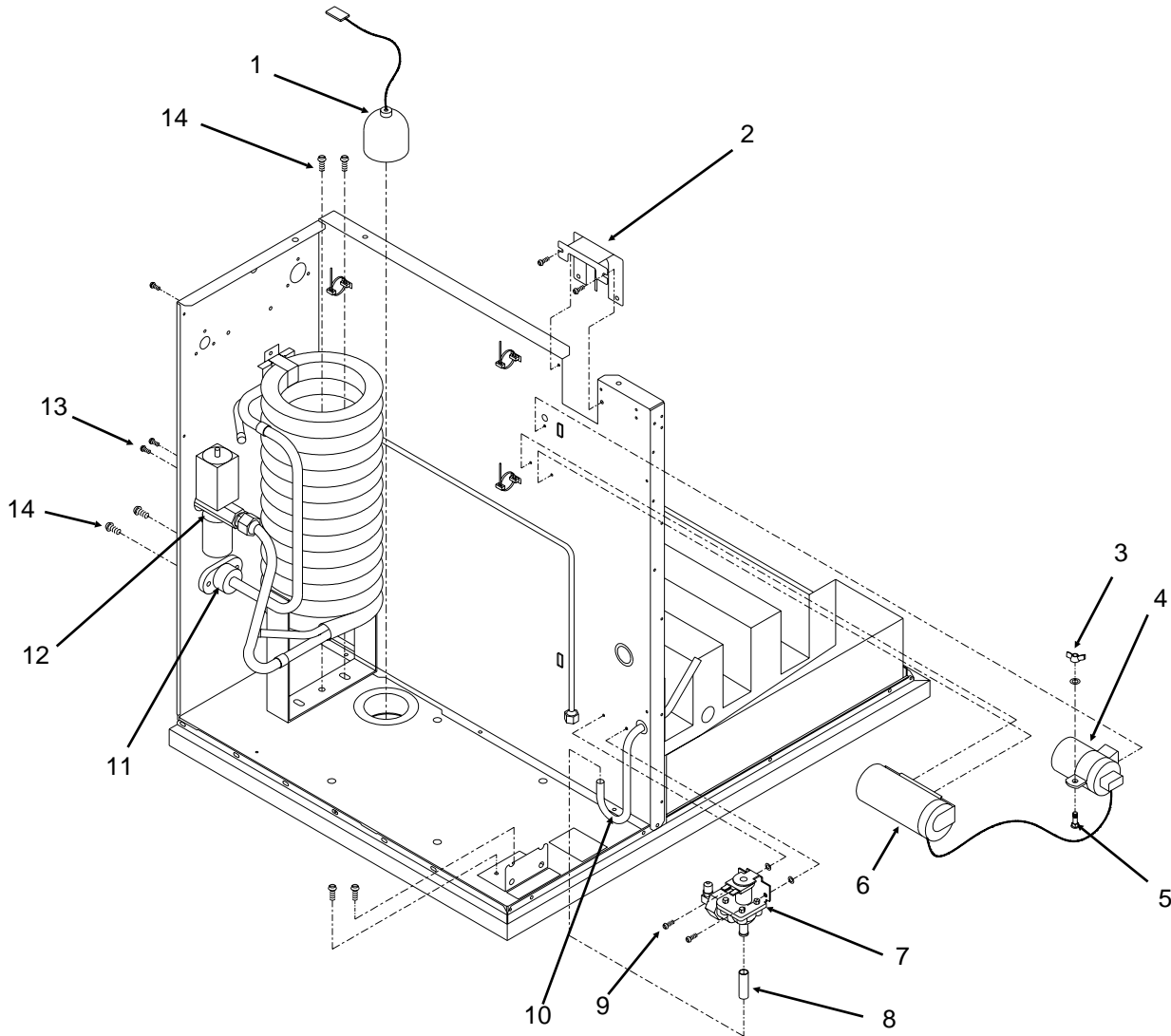
The major differences are in the timer, the compressor and its starting components. The two models also have different Hot Gas Valves.

TABLE OF CONTENTS

Cabinet	Page 2
Interior Cabinet Components	Page 3
Refrigeration System	Page 4
Water System	Page 5
Control Box	Page 6
Ice Storage Bin	Page 7
Wiring Diagrams	Page 8

CME865W & CME1002W SERVICE PARTS

INTERIOR CABINET COMPONENTS

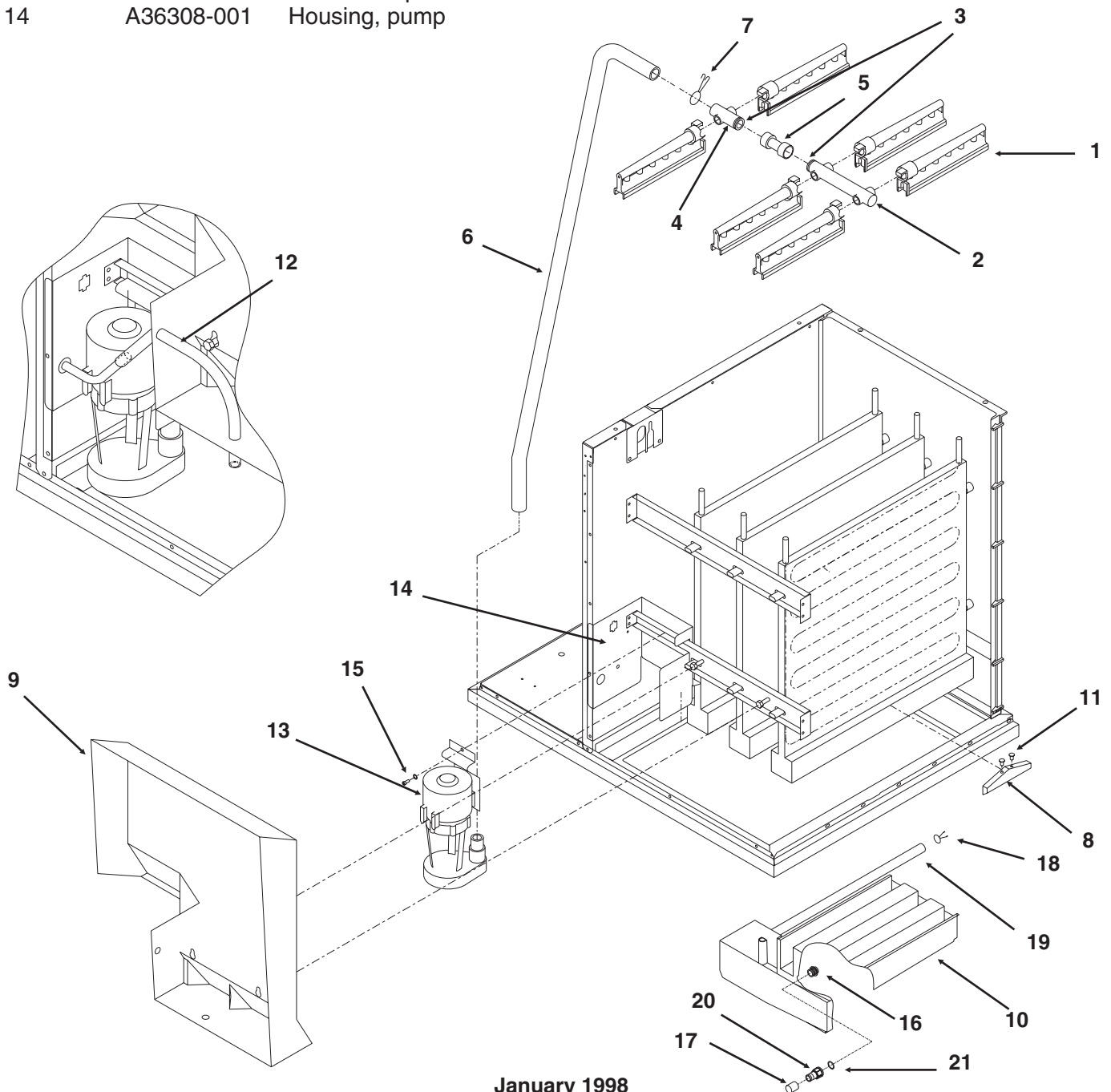


ITEM NUMBER	PART NUMBER	DESCRIPTION	ITEM NUMBER	PART NUMBER	DESCRIPTION
1	A34908-021	Transducer	9	03-1531-01	Screw
2	02-3404-01	Flange retainer	10	A36293-001	Tube
3	03-0255-04	Wing nut	11	A31828-003	Drain adapter
4	18-1902-55	Run capacitor, for all except	12	11-0478-21	Water reg .valve
	18-1902-57	Run capacitor for	13	03-1645-01	Screw
		CME1002-6 (50 Hz)	14	03-1405-15	Screw
5	03-1652-02	Bolt			
6	18-1901-48	Start capacitor			
	A35328-001	Capacitor cover			
7	11-0492-01	Inlet water valve			
8	13-0674-02	Tubing, 1.5" req.			

CME865W & CME1002W SERVICE PARTS

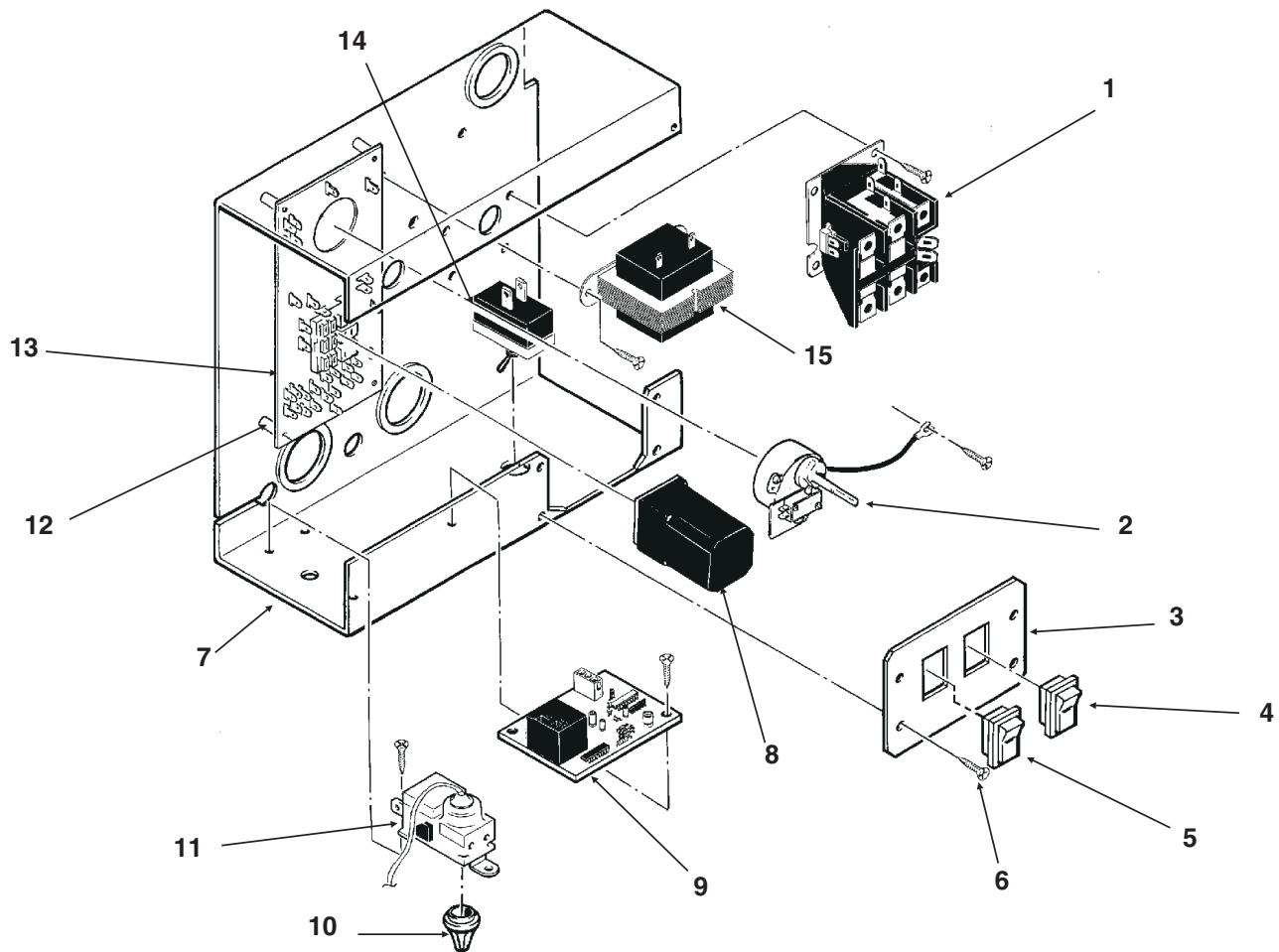
WATER SYSTEM

ITEM NUMBER	PART NUMBER	DESCRIPTION	ITEM NUMBER	PART NUMBER	DESCRIPTION
1	02-2527-01	Water Distributor Tube	15	03-1403-27	Screw
2	02-2521-01	Water Manifold, long	16	A34982-001	Drain fitting
3	13-0617-48	O-Ring	17	13-0796-01	Reservoir Drain Cap
4	A29703-001	Water Manifold, short	18	02-3094-01	Hose clamp
5	02-2895-01	Water Restrictor	19	13-0674-07	Drain hose (16.5" needed)
6	13-0674-07	Tube (need 30")	20	02-2606-01	Drain tube
7	02-3094-01	Hose clamp	21	13-0617-02	O-ring
8	02-2878-01	End cover			
9	02-2890-04	Evaporator Cover			
10	A35861-001	Reservoir			
11	03-1404-10	Screw			
12	13-0674-02	Hose (12" needed)			
13	12-2419-62	Water Pump			
14	A36308-001	Housing, pump			



CME865W & CME1002W SERVICE PARTS

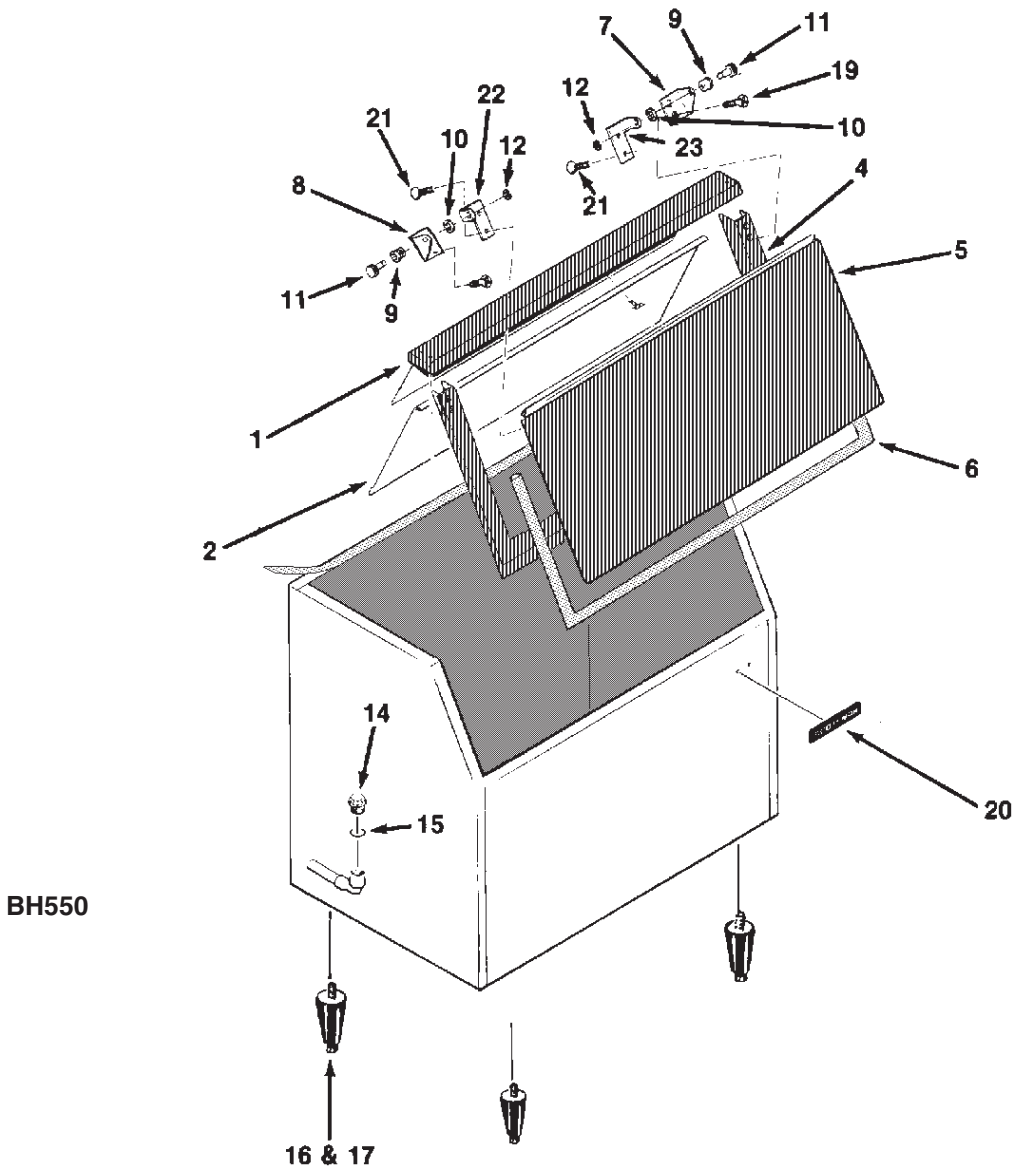
CONTROL BOX



ITEM NUMBER	PART NUMBER	DESCRIPTION	ITEM NUMBER	PART NUMBER	DESCRIPTION
1	12-0739-02	Contactors 3 phase	13	12-1912-01	Circuit board
	12-2469-02	Contactors, single phase	14	12-0426-01	Compressor on off switch
2	12-2107-22	Timer for 60 Hz	15	12-2285-22	Transformer
	12-2107-26	Timer for 50 Hz			
3	02-3173-01	Cover plate	Not Shown		
4	12-2414-01	ON/OFF/WASH switch	16	A34845-015	Control Box Cover
	12-2402-01	Wire harness, bin level switch to board	18	18-1903-46	Potential relay, 60 Hz and CME1002 50 Hz
5	12-2411-01	Bin ice level switch		18-1903-33	Potential relay, for CME865 50 Hz
6	03-1638-03	Screw			
7	no number	Control box			
8	12-1879-03	Relay			
9	12-2376-21	Bin level control board			
10	no number	Knob, part of item 11			
11	11-0436-21	Cube size control, includes knob			
12	02-2242-02	Stand off			

CME865W & CME1002W SERVICE PARTS

ICE STORAGE BIN SERVICE PARTS



BH550

ITEM NUMBER	PART NUMBER	DESCRIPTION	ITEM NUMBER	PART NUMBER	DESCRIPTION
1	A33921-001	Canopy	15	13-0617-11	O-Ring
2	A32580-001	Baffle	16	KLPE	Leg kit, black
3	19-0503-04	Gasket	17	KLPS	Leg kit, nickel
4	A33922-020	Door Frame	18	03-1404-06	Screw
5	A33938-020	Door	19	03-1360-02	Screw
6	13-0595-00	Door Gasket, 6' req.	20	15-0711-01	Emblem
7	A32396-002	Hinge Right	21	03-1418-41	Screw
8	A32396-001	Hinge Left	22	A32546-001	Door hinge left
9	02-2380-02	Hinge Bushing	23	A32546-002	Door hinge right
10	02-2380-02	Hinge Spacer	24	03-1423-07	Speed nut for baffle
11	02-2806-01	Shoulder Screw			
12	03-1539-09	E-Clip			
13	03-0727-06	Thumb Screw			
14	02-2809-01	Drain Top			

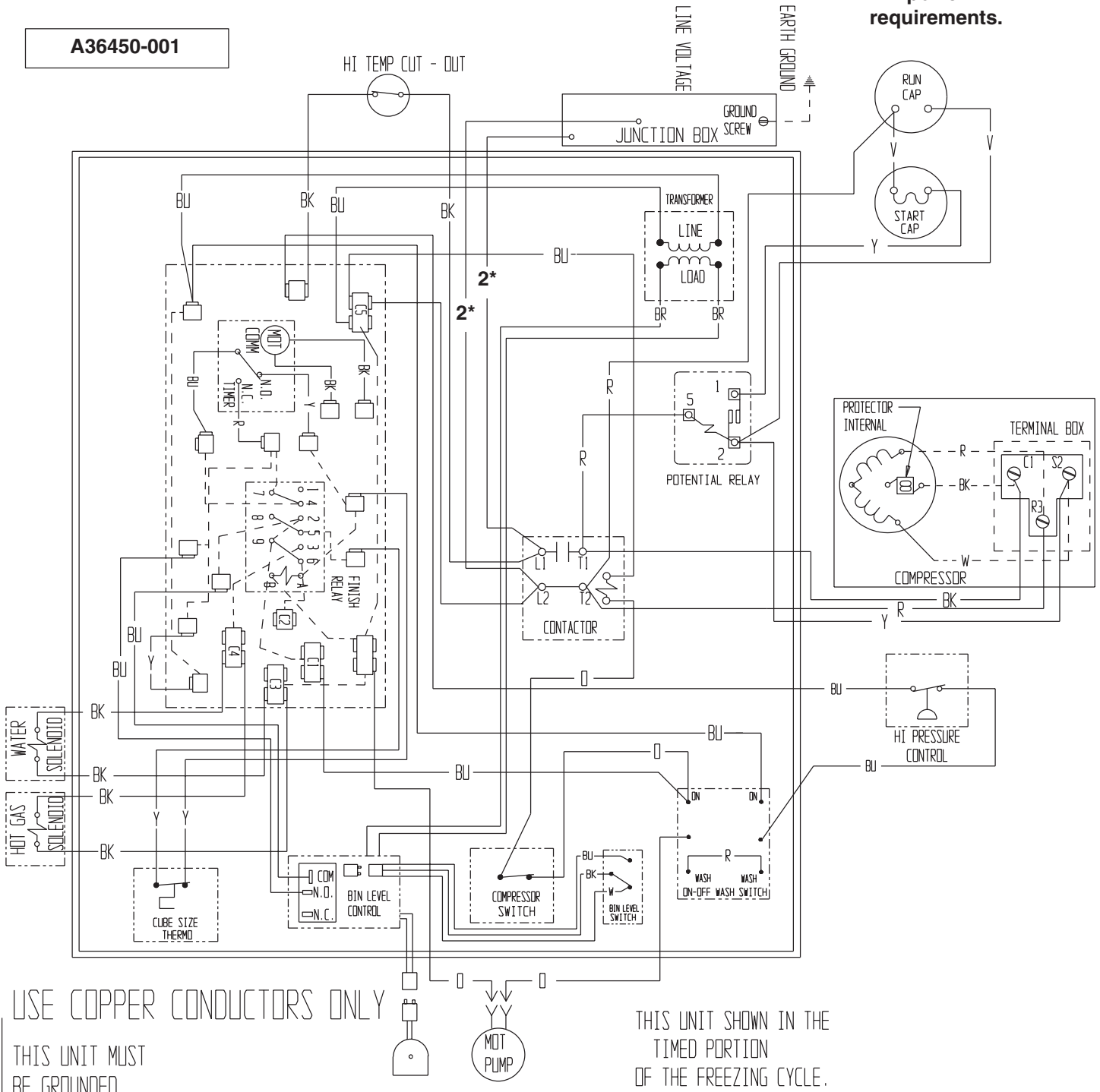
CME865W & CME1002W SERVICE PARTS

Single Phase, 60 Hz Wiring Diagram

Note 2*: Wire Color for -32 (60 hz) units is Black.
Wire Color for -6 (50 Hz) units is Brown.

See nameplate for power requirements.

A36450-001



USE COPPER CONDUCTORS ONLY
THIS UNIT MUST BE GROUNDED.

THIS UNIT SHOWN IN THE
TIMED PORTION
OF THE FREEZING CYCLE.

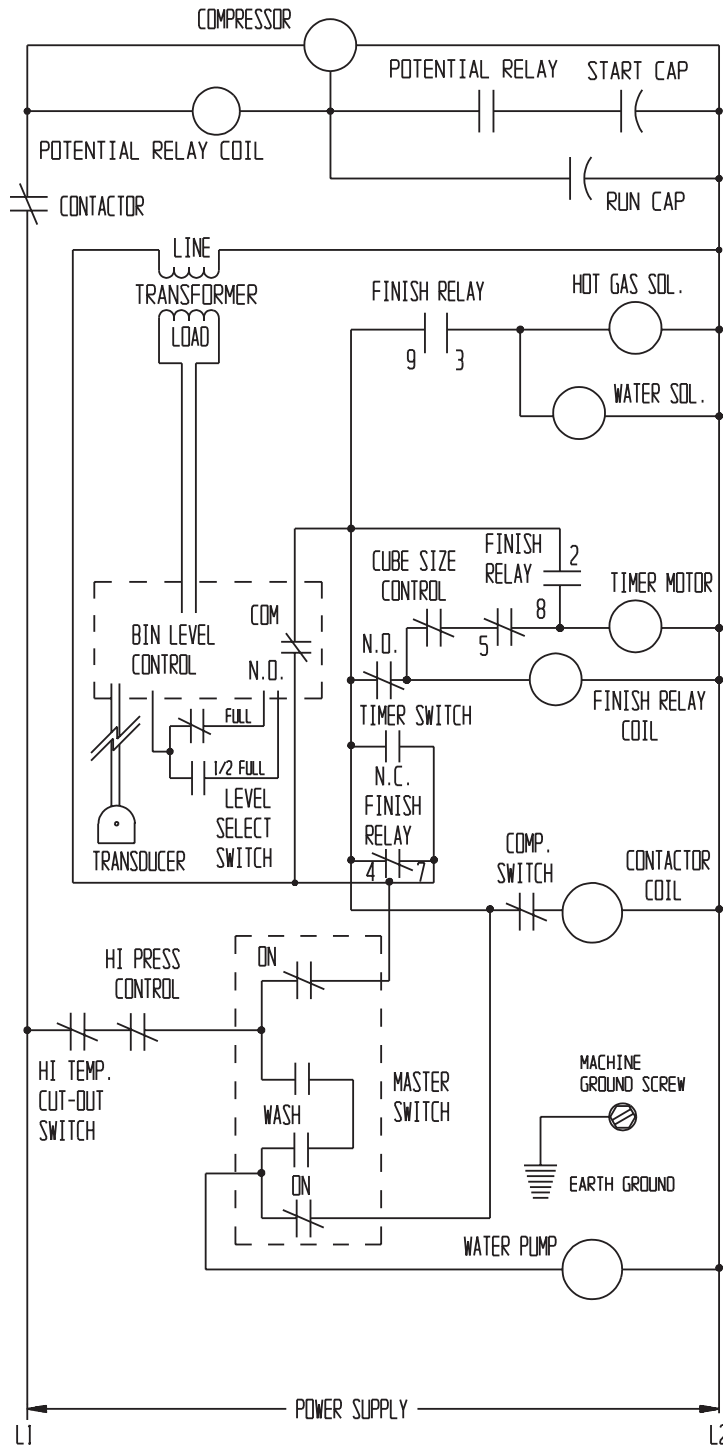
CME865W & CME1002W SERVICE PARTS

Single Phase, 60 Hz Schematic Diagram

CAUTION:

MORE THAN ONE DISCONNECT MEANS MAY BE REQUIRED TO DISCONNECT ALL POWER TO THIS UNIT.

⚠ NOTE: DASHED LINES INDICATE FIELD WIRING WHICH MUST BE INSTALLED IN ACCORDANCE WITH THE NATIONAL ELECTRICAL CODE AND ALL STATE AND LOCAL CODES.



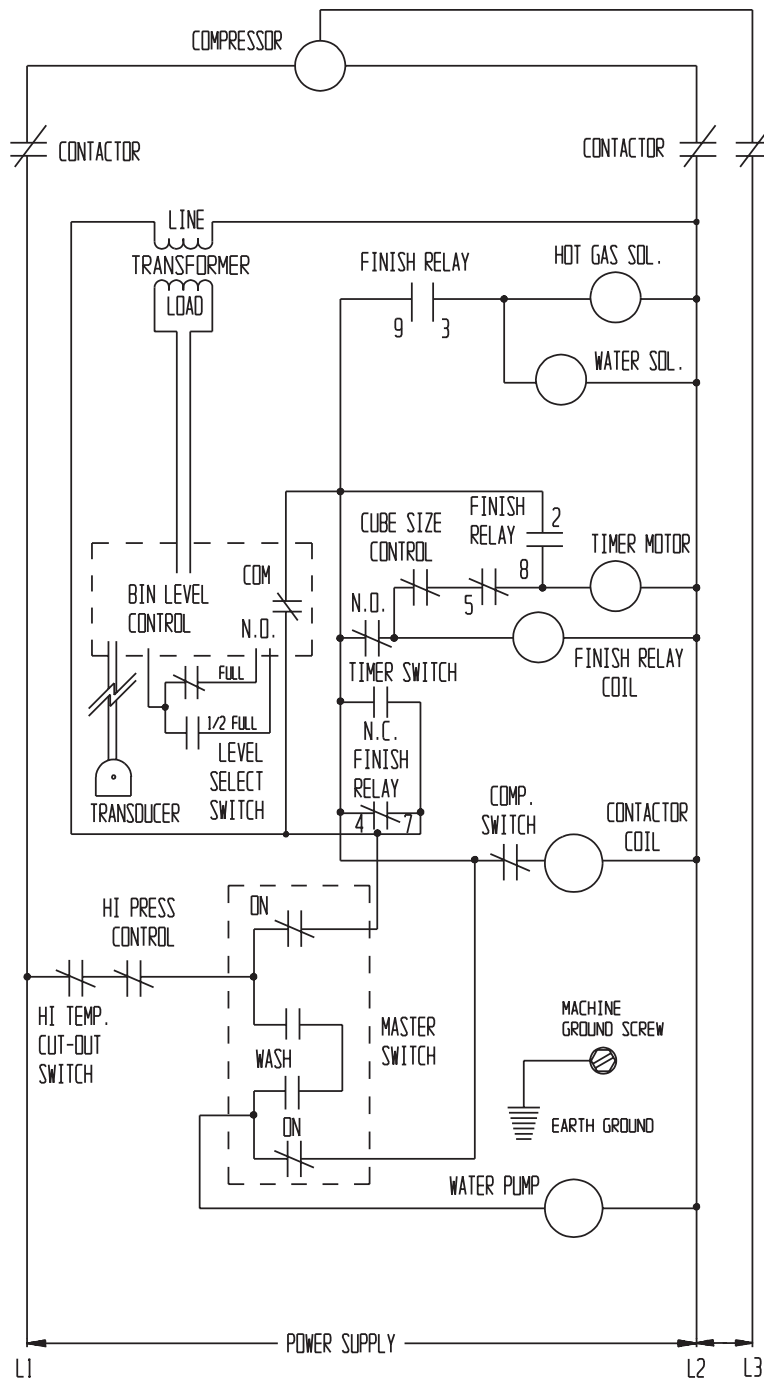
CME865W & CME1002W SERVICE PARTS

Three Phase Schematic Diagram

CAUTION:

MORE THAN ONE DISCONNECT MEANS MAY BE REQUIRED TO DISCONNECT ALL POWER TO THIS UNIT.

NOTE: DASHED LINES INDICATE FIELD WIRING WHICH MUST BE INSTALLED IN ACCORDANCE WITH THE NATIONAL ELECTRICAL CODE AND ALL STATE AND LOCAL CODES.



CME865W & CME1002W SERVICE PARTS

50 Hz Wiring Diagram

