

DC33 SERVICE PARTS

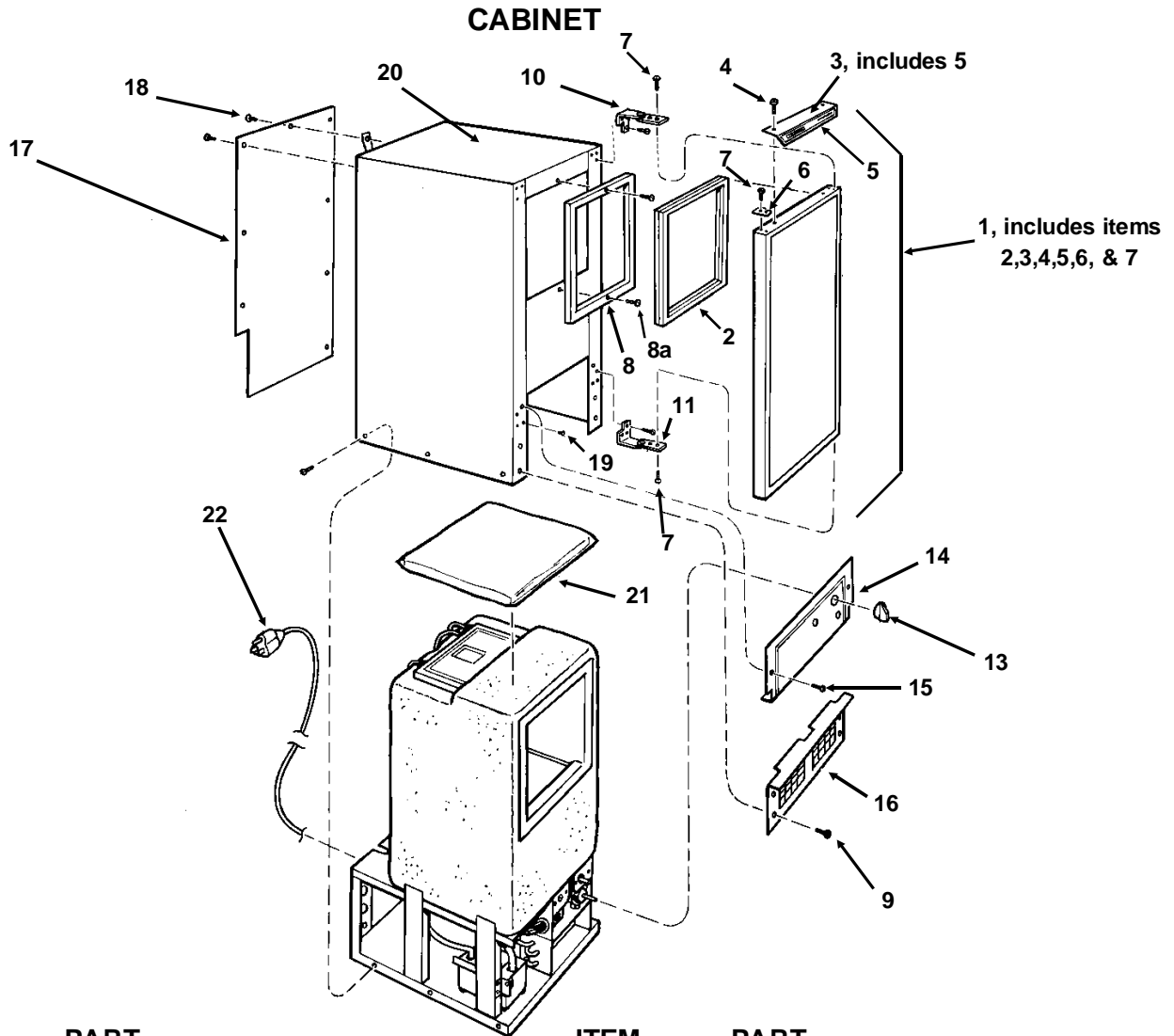
The section contains the parts list for the DC33.
Because parts for prior models are also listed,
please check the part description before
ordering any part.

TABLE OF CONTENTS

CABINET	PAGE 3
MAJOR ASSEMBLIES	PAGE 4
RESERVOIR	PAGE 6
CONTROL BOX	PAGE 7
COMPRESSOR	PAGE 8
WIRING DIAGRAMS	
CURRENT DRAIN PUMP MODEL	PAGE 9
GRAVITY DRAIN MODEL	PAGE 10
PRIOR DRAIN PUMP MODEL	PAGE 11
PRIOR (FLOAT SWITCH) DRAIN PUMP	PAGE 12

DC33 SERVICE PARTS

DC33 SERVICE PARTS

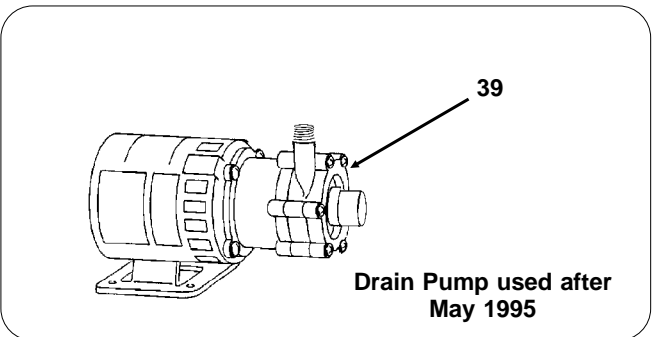
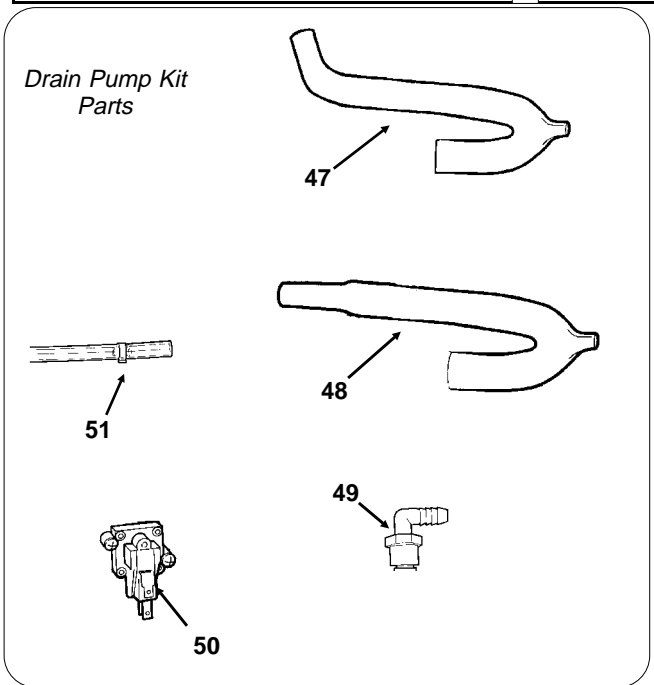
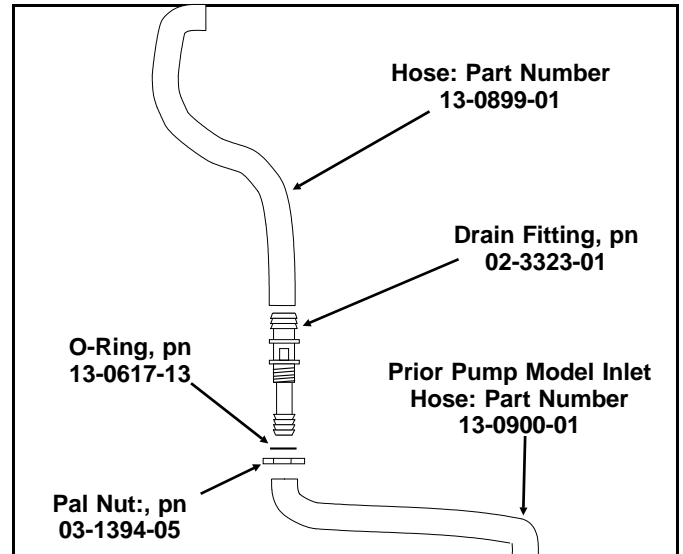
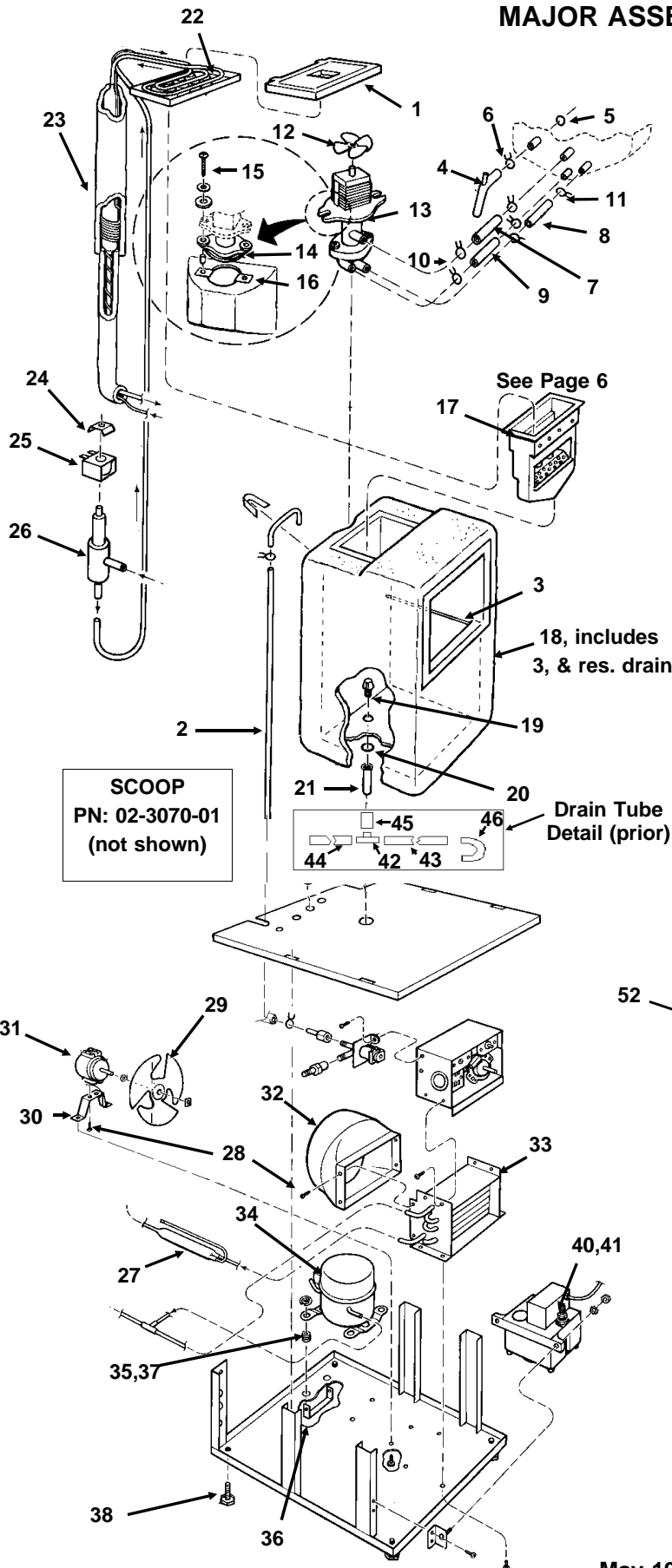


ITEM NUMBER	PART NUMBER	DESCRIPTION	ITEM NUMBER	PART NUMBER	DESCRIPTION
1.	A32117-003 A32117-001 obsolete	White Door Assembly Sandalwood Door Brass or woodgrain door	9.	03-1419-05	Screw (unpainted) (4)
2.	13-0826-01	Gasket	10.	obsolete	Brass Hinge
3.	obsolete	Brass Handle	11.	obsolete	Brass Hinge
4.	A29043-001 obsolete	Alum. Door Handle	13.	15-0653-02	Alum. Hinge
5.	03-1607-01	Brass Head Screw (2)	14.	15-0656-01	Knob, Bin Thermo
6.	15-0730-01	Alum. Head Screw (2)	15.	A34877-001	Cont Box Cover - sandalwood
7.	15-0648-01 obsolete	Nameplate strip (white)	16.	A34877-002	Cont Box cover - white
8.	15-0648-02	Brass Hinge Fill Plate, Rt.	17.	03-1404-07	Screw (3)
8a	15-0648-02	Alum. Hinge Fill Plate, Rt.	18.	02-2243-02	Kickplate
	15-0648-02	Brass Hinge Fill Plate, Lt.	19.	A29102-001	Rear Panel
	15-0648-02	Alum. Hinge Fill Plate, Lt.	20.	03-1404-05	Screw (9)
	obsolete	Brass Screw (10)	21.	02-2481-01	Plug (6)
	03-1418-24	Alum. Screw (10)	22.	A28861-021	Cabinet (sandalwood)
	13-0828-01	Gasket		A28861-023	Cabinet (white)
	03-1419-08	Screw		A26787-001	Insulation (in Bag)
				12-1638-07	Power Cord

DC33 SERVICE PARTS

MAJOR ASSEMBLIES

Units with internal reservoir drain, use began June 1994 with serial numbers 735675-12Z (DC33A) and 736508-12Z (DC33PA).



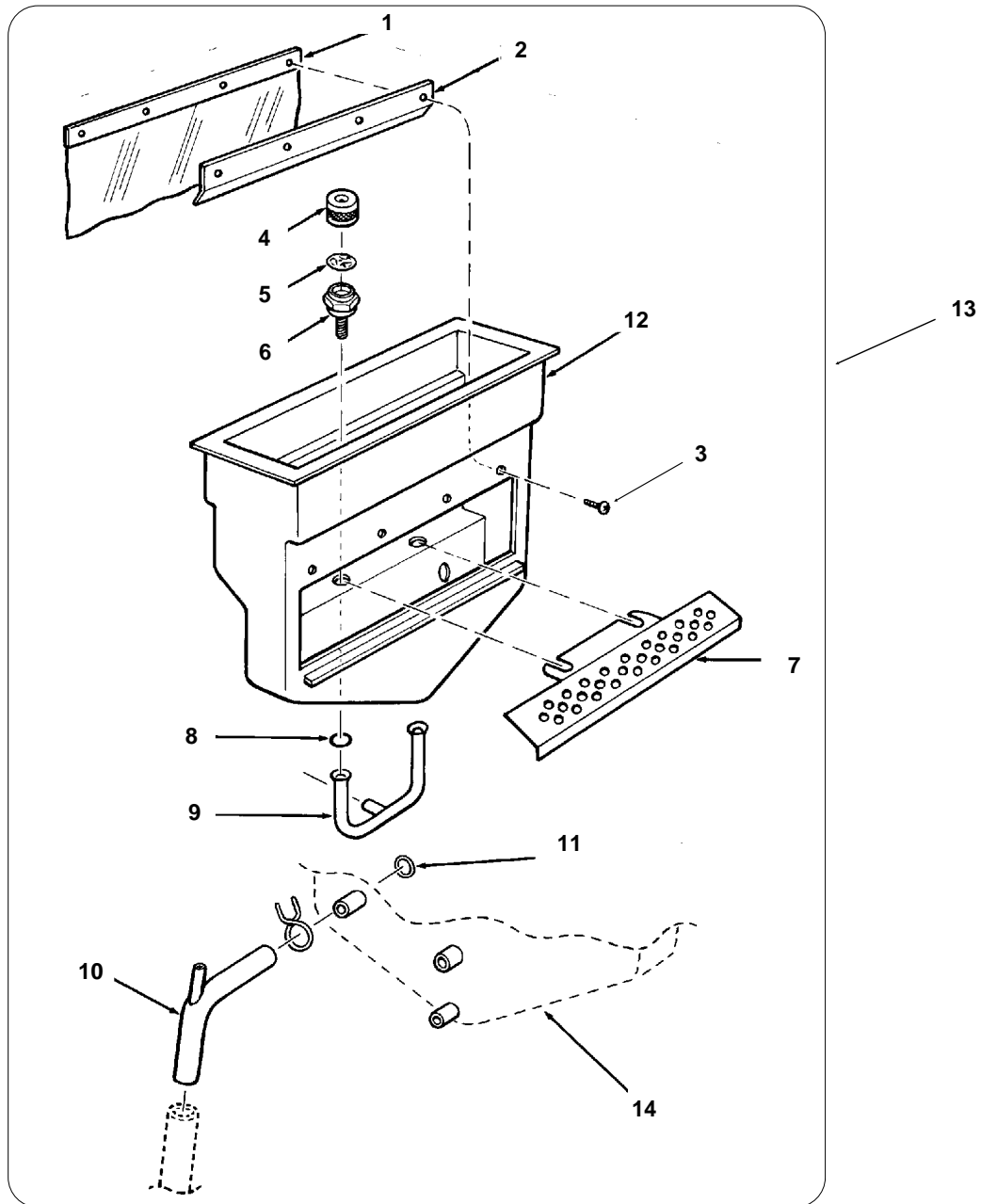
DC33 SERVICE PARTS

Major Components

ITEM NUMBER	PART NUMBER	DESCRIPTION	ITEM NUMBER	PART NUMBER	DESCRIPTION
1.	02-2274-01	Platen Cover	39.	12-2503-21	Drain pump only, use to replace identical drain pumps on units mfg. after May 1995.
2.	13-0674-01	Tube, 37" *	40.	obsolete	Pump Pressure Switch
3.	A34816-001	Bin Thermostat Bracket	41.	12-2140-20	Check Valve, drain pump (used on prior black body pumps only)
4.	A24230-001	Overflow Tube	Drain tube system parts (42-46) for external reservoir drain only (units built before July 1994).		
5.	13-0617-01	O-ring	42.	16-0670-01	Tee
6.	02-0535-01	Clamp (1)	43.	13-0674-06	Hose, 8.25"
7.	13-0674-16	Tube, 5/8" Req. 4.25" *	44.	13-0674-02	Drain hose, 29.5"
8.	13-0674-15	Tube, 1/2", Req 3.25" *	45.	13-0079-01	Hose, 2"
9.	13-0674-15	Tube, 1/2", Req. 3-5/8" *	46.	16-0668-01	Return bend
10.	02-1775-02	Clamp (2)	*NOTE: Sold by the foot, order 1, get 1 foot.		
11.	02-0534-01	Clamp (4)	Pump Kit Service Parts		
12.	02-1719-00	Fan Blade	47.	02-3369-01	Inlet hose for current models
13.	A30625-001	Spray Pump	48.	02-3369-02	Inlet hose to connect to models with external reservoir drain
14.	13-0687-00	Gasket	49.	05-0589-01	Elbow
15.	03-1404-14	Screw (2)	50.	11-0489-01	Pressure switch (without bracket)
16.	03-1422-04	Speed Nut (2)	51.	A36434-001	Pump check valve and discharge hose tubing.
17.	A22532-000	Bin Insert Assembly	52.	A36892-020	Drain Pump Kit, use to convert any DC33 gravity model, or replace drain pumps on prior models (before May 1995). Contains all required parts, except item 39 - the pump.
18.	A36930-020	Bin Assembly, includes reservoir drain hose & drain fittings			
Items 19, 20 and 21 only for units with external reservoir drain (before July 1994 production).					
19.	02-1751-00	Drain Fitting,			
20.	13-0617-13	O-ring (1),			
21.	02-1957-00	Drain Tube			
22.	02-3661-20	Evaporator, does NOT include suction line and accumulator			
23.	A29368-020	Evaporator, Complete			
24.	12-2009-01	Clip, Hot Gas Valve			
25.	12-2008-01	Coil, Hot Gas Valve			
26.	12-2010-01	Hot Gas Valve Body			
27.	02-2488-01	Drier			
28.	03-1404-08	Screw (4)			
29.	18-3710-01	Fan Blade			
30.	A28798-001	Fan Motor Bracket			
31.	12-2396-21	Fan Motor			
32.	02-2871-01	Fan Shroud			
33.	18-3729-01	Condenser			
34.	18-7000-21	Compressor Kit			
35.	18-4700-28	Grommet			
36.	A29015-001	Bracket			
37.	02-2497-01	Clip			
38.	03-1608-01	Leg Leveler			

DC33 SERVICE PARTS

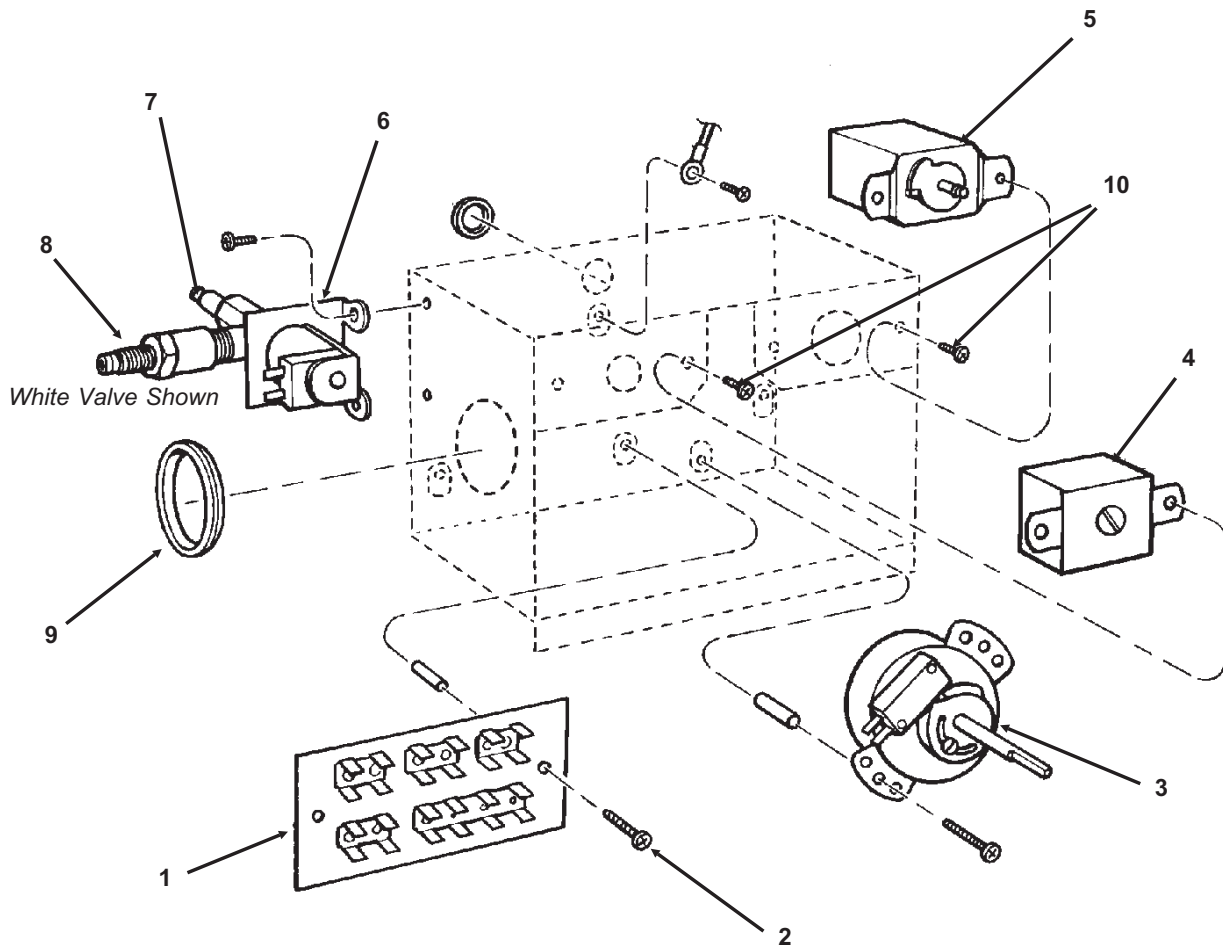
Reservoir



ITEM NUMBER	PART NUMBER	DESCRIPTION	ITEM NUMBER	PART NUMBER	DESCRIPTION
1.	02-2479-21	Curtain	8.	13-0617-08	O-ring
2.	A24155-001	Curtain stiffener	9.	02-2704-01	Spray Bar Assembly
3.	03-1404-16	Screw	10.	A24230-001	Overflow Tube
4.	02-1841-00	Nozzle	11.	13-0617-01	O-ring
5.	A09543-000	Spinner	12.	02-1923-00	Bin Insert
6.	02-1840-00	Jet Base	13.	A22532-001	Bin insert assy
7.	A22518-000	Cube Chute	14.	no number	Base of reservoir

DC33 SERVICE PARTS

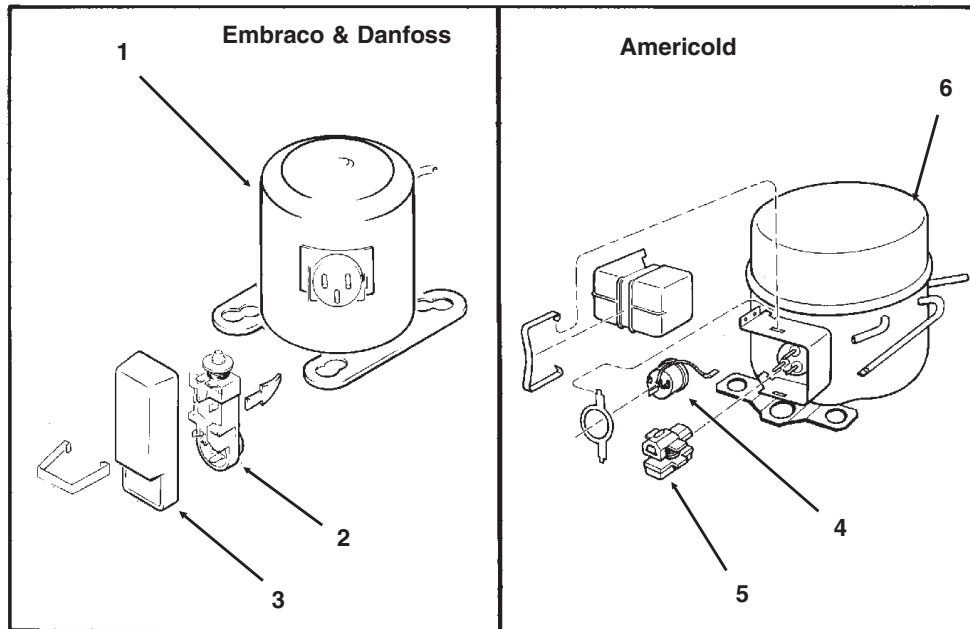
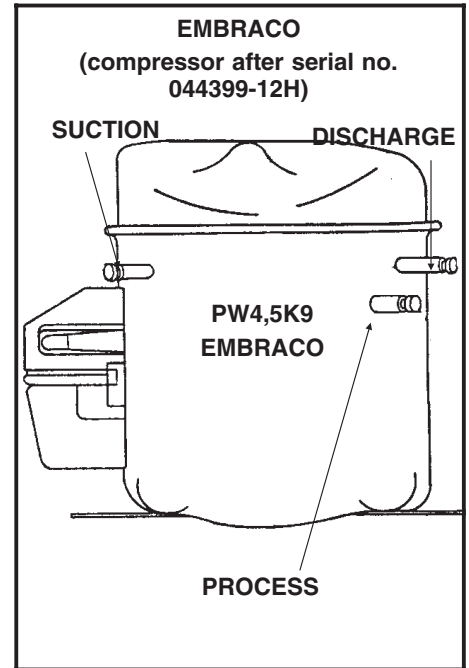
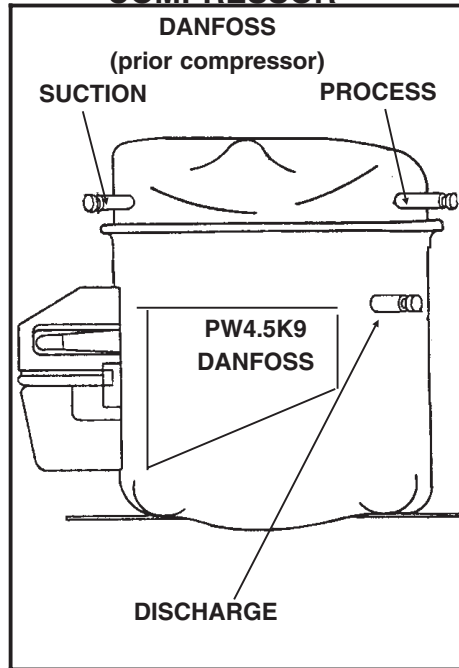
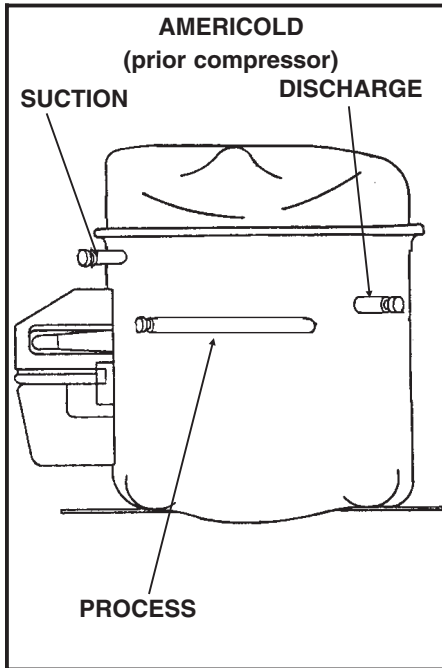
Control Box



ITEM NUMBER	PART NUMBER	DESCRIPTION
1.	A25981-001	Terminal Board
2.	03-1403-07	Screw
3.	12-1980-01	Timer And Switch
4.	11-0395-22	Cube Size Control
5.	11-0407-21	Bin Level Control
6.	12-2907-21	Inlet Water Valve (includes new fittings)
Note: Fittings for this valve not available separately		
7.	16-0672-01	Adaptor Fitting (use with prior white plastic valve)
8.	16-0643-00	Half Union (use with prior white plastic valve)
9.	12-1213-12	Bushing
10.	03-1403-17	Screw

DC33 SERVICE PARTS

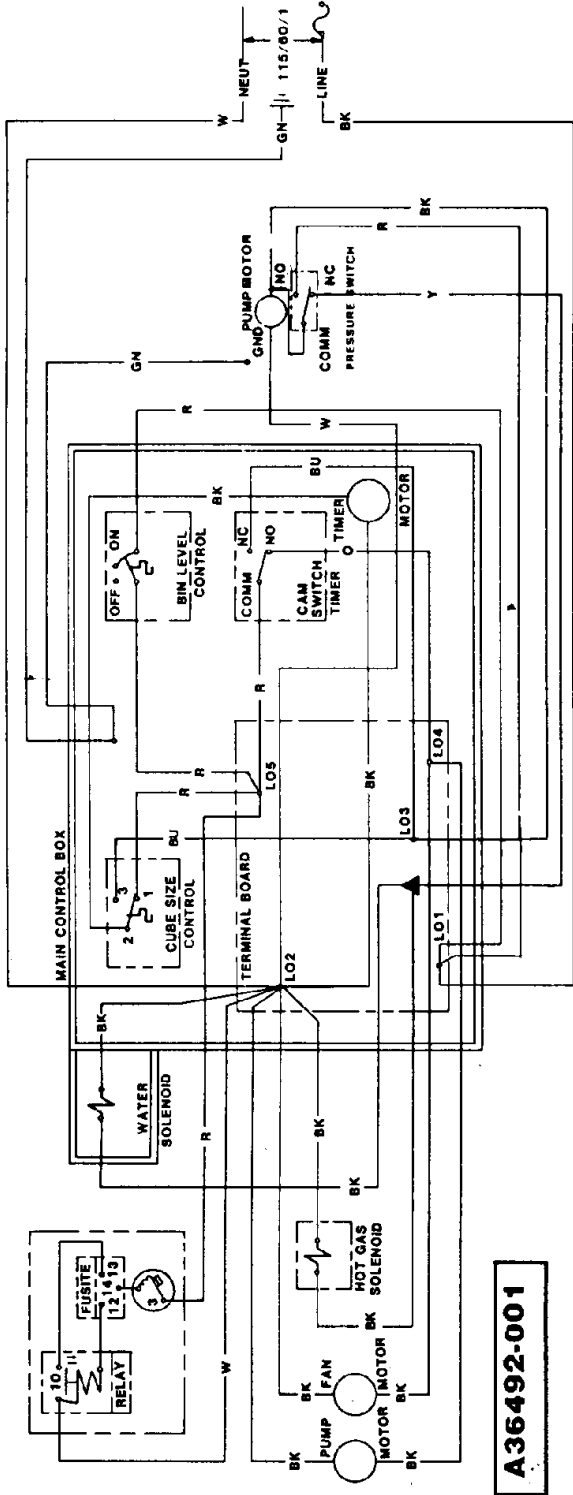
COMPRESSOR



ITEM NUMBER	PART NUMBER	DESCRIPTION
1.	18-7000-21	Compressor Kit, Includes Relay/Overload
2.	18-2150-21	Relay And Overload Assembly, For Embraco PW4.5K9 up to DC33A-1W sn 828226-11M, DC33PA-1W sn 828633-11M. Also fits Danfoss Fits DC33A-1W sn 860104-02M + DC33PA-1W sn 859563-02M and up.
	18-8779-05	Relay and overload assembly for Embraco PW4.5K11 (beginning with serial numbers 828226-11M and 828633-11M, ending with DC33A-1W sn 860104-02M and DC33PA-1W sn 859563-02M)
3.	18-2150-24	Cover, For Embraco Or Danfoss
4.	18-4800-42	Overload for Americold
5.	18-4800-44	Relay for Americold

DC33 SERVICE PARTS

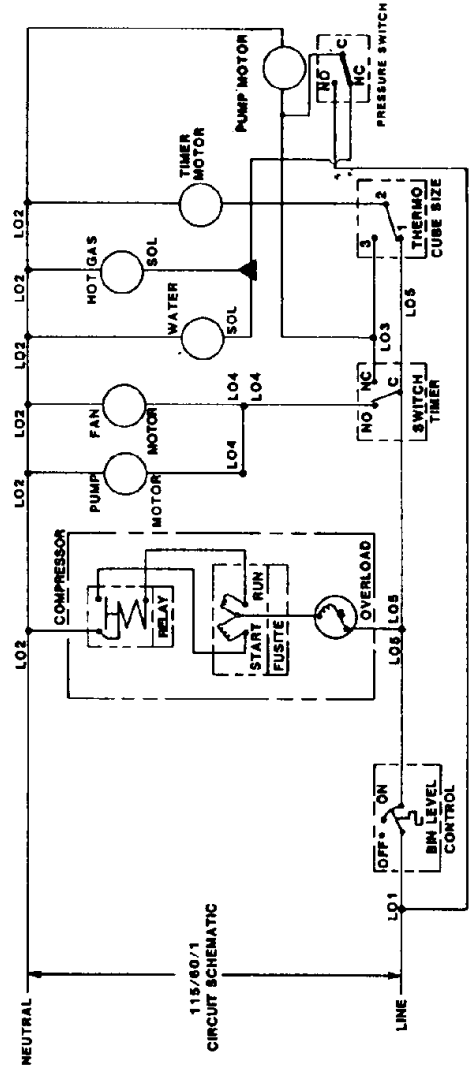
Current Drain Pump Model Wiring Diagram



A36492-001

THIS UNIT SHOWN IN THE TIMED PORTION OF THE FREEZING CYCLE

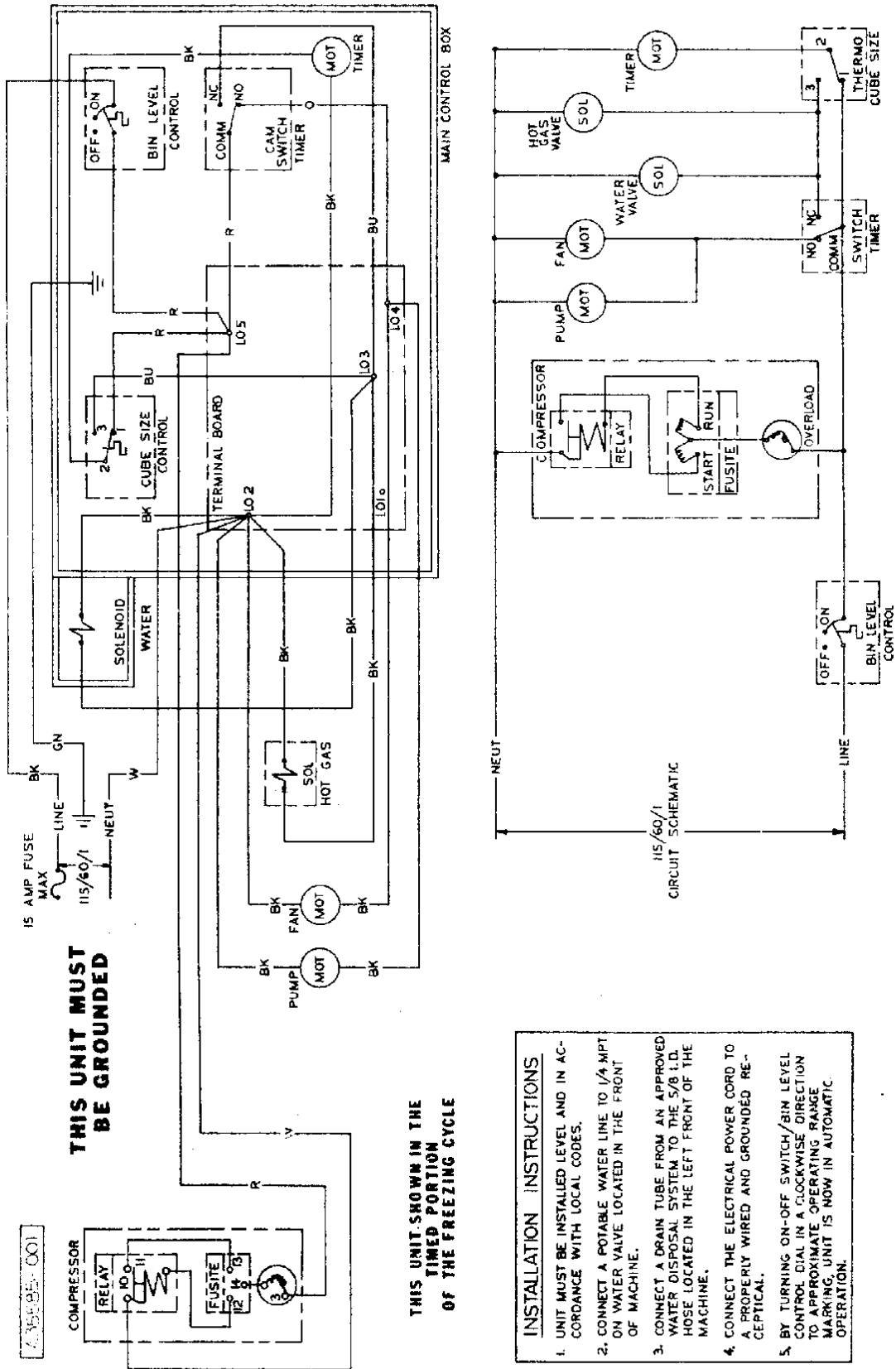
- INSTALLATION INSTRUCTIONS**
1. UNIT MUST BE INSTALLED LEVEL AND IN ACCORDANCE WITH LOCAL CODES.
 2. CONNECT A POTABLE WATER LINE TO 1/4 MPT ON WATER VALVE LOCATED IN THE FRONT OF MACHINE.
 3. ROUTE 3/8" I.D. FLEXIBLE PLASTIC TUBE FROM LEFT FRONT OF MACHINE PER INSTRUCTIONS FOR DC33TA IN SERVICE MANUAL.
 4. CONNECT THE ELECTRICAL POWER CORD TO A PROPERLY WIRED AND GROUNDED RECEPTICAL.
 5. BY TURNING ON-OFF SWITCH/BIN LEVEL CONTROL DIAL IN A CLOCKWISE DIRECTION TO APPROXIMATE OPERATING RANGE MARKING, UNIT IS NOW IN AUTOMATIC OPERATION.



THIS UNIT MUST BE GROUNDED

DC33 SERVICE PARTS

Gravity Drain Model Wiring Diagram



THIS UNIT MUST BE GROUNDED

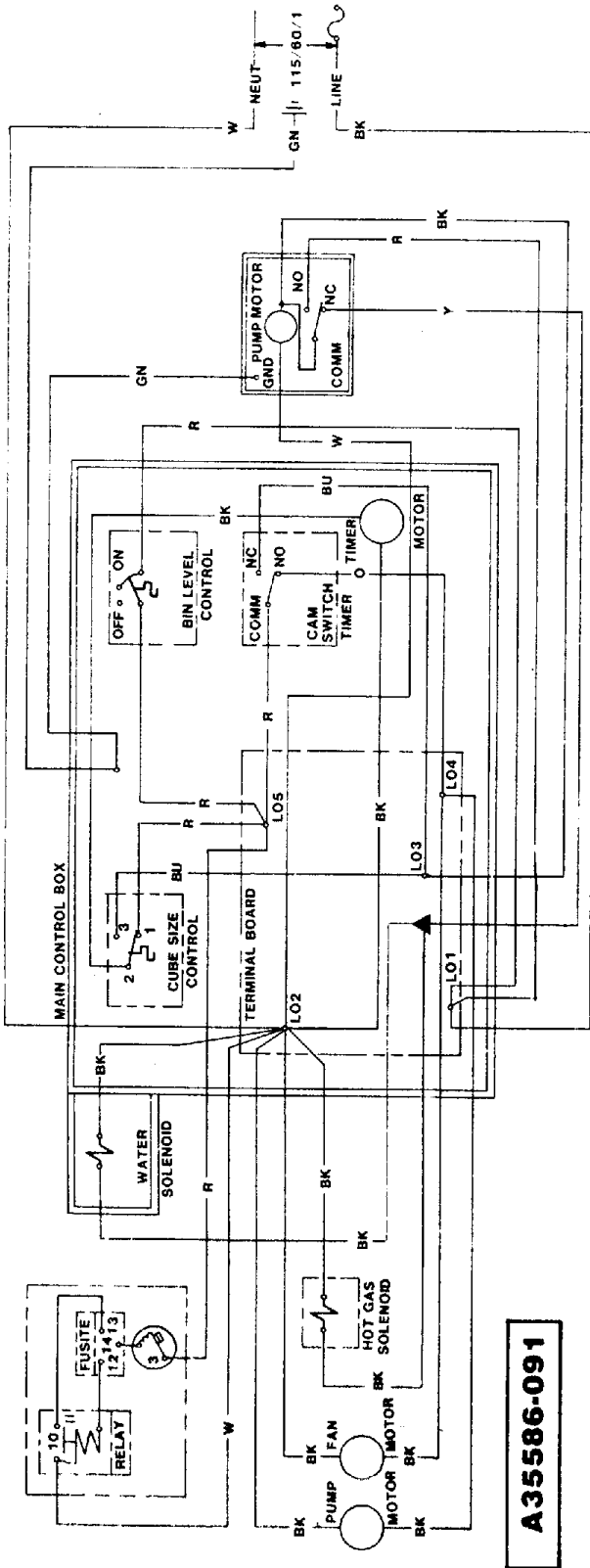
THIS UNIT SHOWN IN THE TIMED PORTION OF THE FREEZING CYCLE

INSTALLATION INSTRUCTIONS

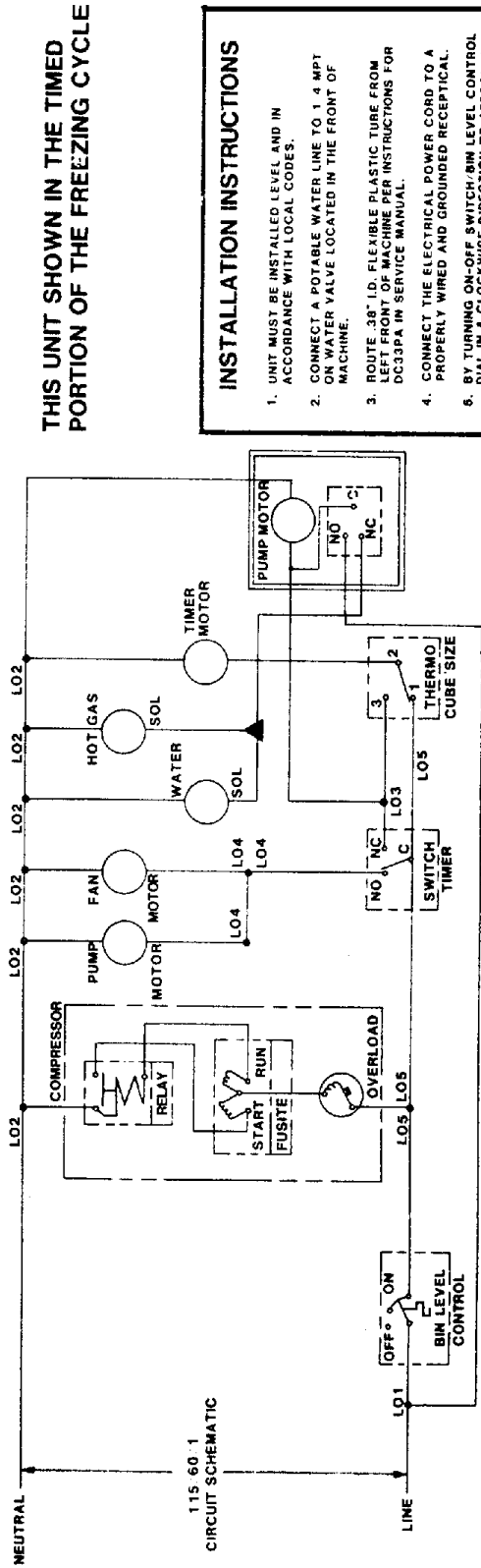
1. UNIT MUST BE INSTALLED LEVEL AND IN ACCORDANCE WITH LOCAL CODES.
2. CONNECT A POTABLE WATER LINE TO 1/4" MPT ON WATER VALVE LOCATED IN THE FRONT OF MACHINE.
3. CONNECT A DRAIN TUBE FROM AN APPROVED WATER DISPOSAL SYSTEM TO THE 5/8" I.D. HOSE LOCATED IN THE LEFT FRONT OF THE MACHINE.
4. CONNECT THE ELECTRICAL POWER CORD TO A PROPERLY WIRED AND GROUNDED RECEPTICAL.
5. BY TURNING ON-OFF SWITCH/BIN LEVEL CONTROL DIAL IN A CLOCKWISE DIRECTION TO APPROXIMATE OPERATING RANGE MARKING, UNIT IS NOW IN AUTOMATIC OPERATION.

DC33 SERVICE PARTS

Prior Drain Pump Model Wiring Diagram



A35586-091



115-60-1
CIRCUIT SCHEMATIC

THIS UNIT SHOWN IN THE TIMED PORTION OF THE FREEZING CYCLE

INSTALLATION INSTRUCTIONS

1. UNIT MUST BE INSTALLED LEVEL AND IN ACCORDANCE WITH LOCAL CODES.
2. CONNECT A POTABLE WATER LINE TO 1/4 MPT ON WATER VALVE LOCATED IN THE FRONT OF MACHINE.
3. ROUTE .38" I.D. FLEXIBLE PLASTIC TUBE FROM MACHINE PER INSTRUCTIONS FOR DC33PA IN SERVICE MANUAL.
4. CONNECT THE ELECTRICAL POWER CORD TO A PROPERLY WIRED AND GROUNDED RECEPTICAL.
5. BY TURNING ON-OFF SWITCH/BIN LEVEL CONTROL DIAL IN A CLOCKWISE DIRECTION TO APPROXIMATE 1/2 TURN RANGE MARKING, UNIT IS NOW IN AUTOMATIC OPERATION.

THIS UNIT MUST BE GROUNDED

DC33 SERVICE PARTS

Float Switch Drain Pump Wiring Diagram

For Reference Only.

This wiring diagram is for reference only. The SPK18H is replaced by the 12-2307-21 Drain Pump.

