

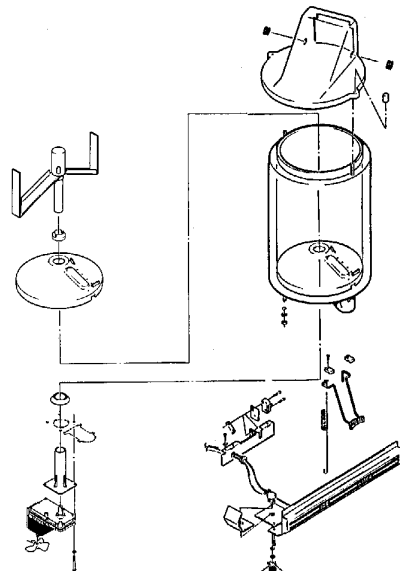
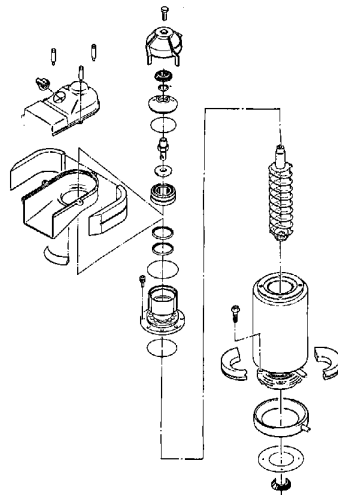
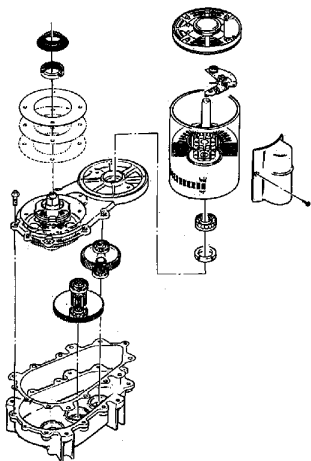
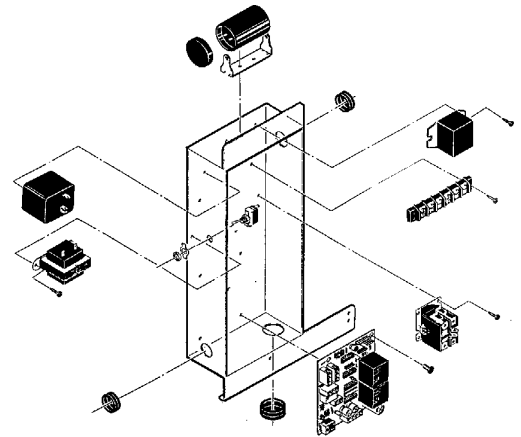
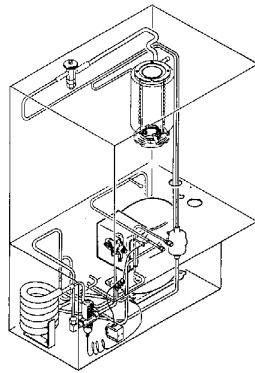
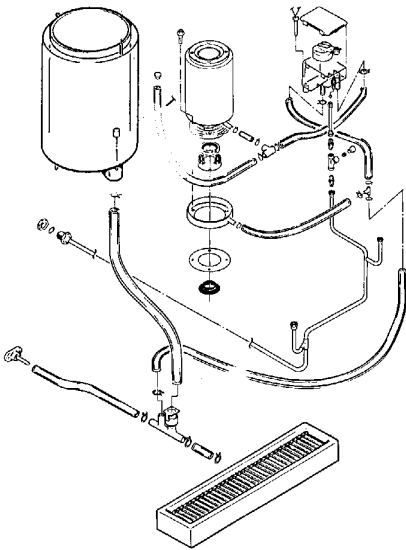
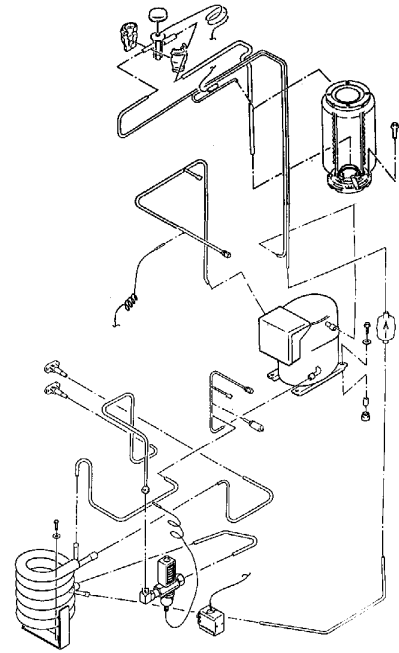
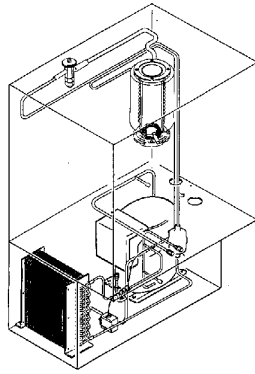
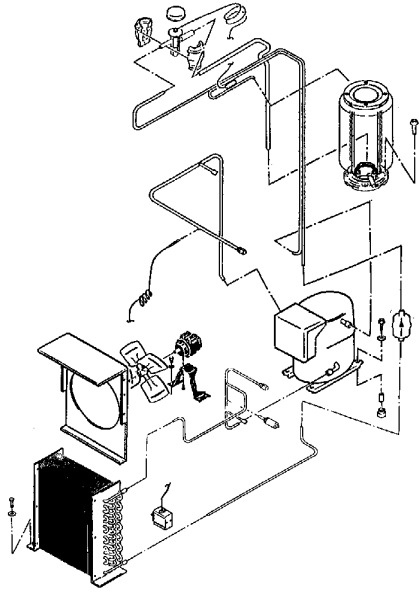
ND650 SERVICE PARTS

This parts list contains the service parts and wiring diagrams for this model. Check the model number of the machine requiring the parts to be sure that this is the correct parts list.

TABLE OF CONTENTS

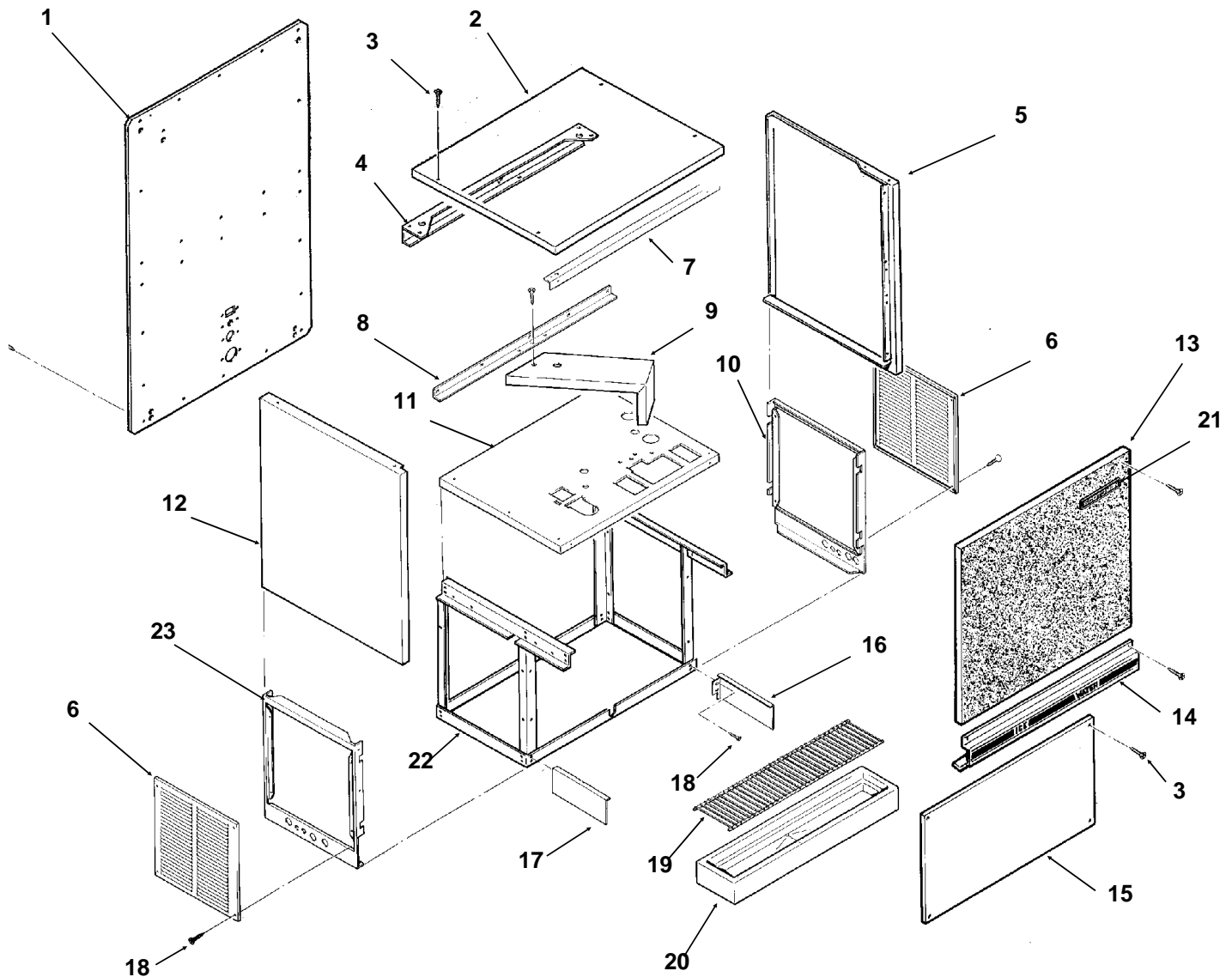
Cabinet Assembly	Page 2
Air Cooled Refrigeration	Page 3
Water Cooled Refrigeration	Page 4
Ice Dispensing	Page 5
Evaporator	Page 6
Gearmotor Assembly	Page 7
Control Box	Page 8
Water System	Page 9
Water Station and Soda Valve Kit	Page 10
Wiring Diagrams	Page 11-12

ND650 SERVICE PARTS



ND650 SERVICE PARTS

Cabinet Assembly

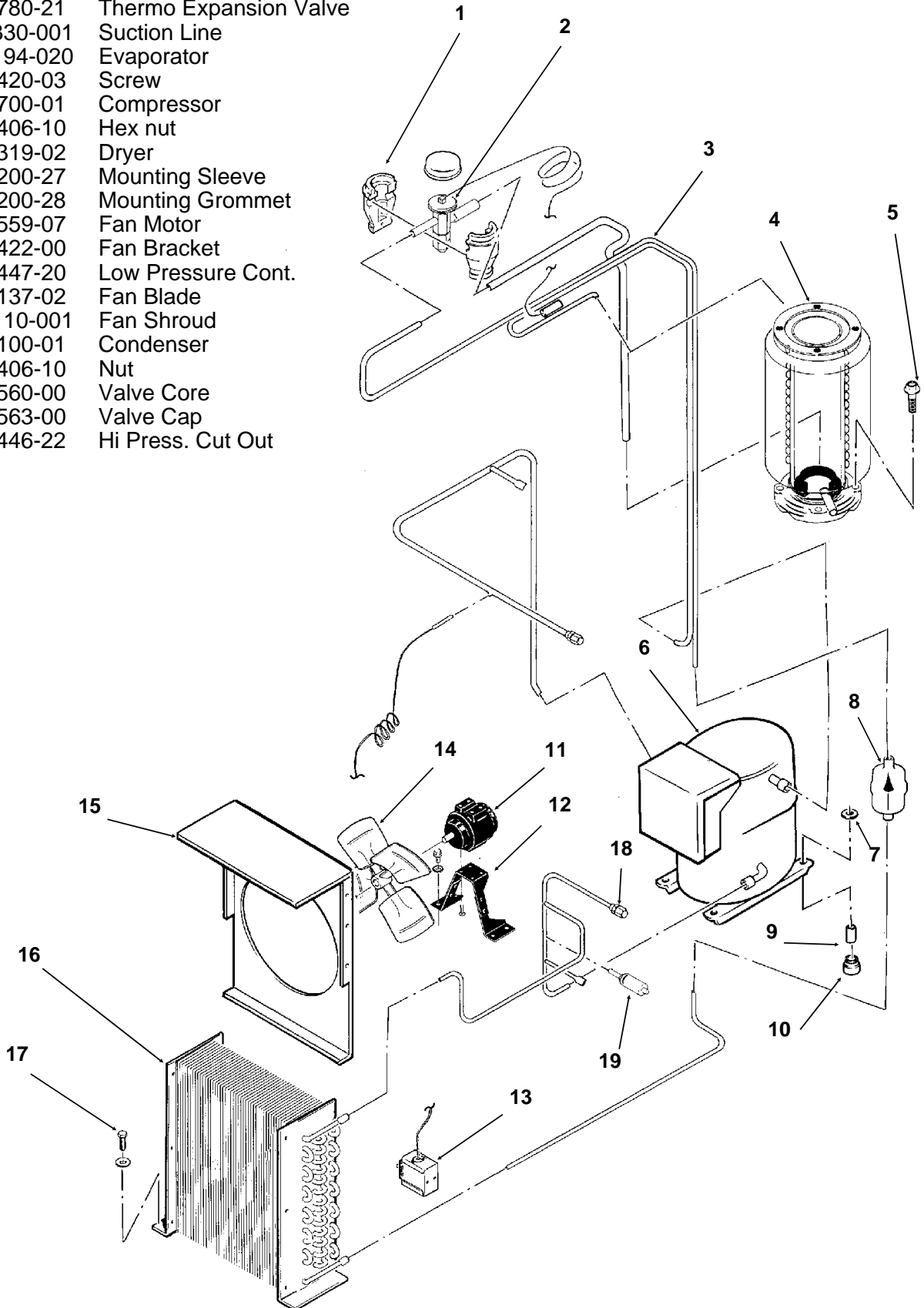


ITEM NUMBER	PART NUMBER	DESCRIPTION	ITEM NUMBER	PART NUMBER	DESCRIPTION
1	A33112-001	Back Panel, painted	11	A32956-001	Upper plate assembly
	A33112-002	Back Panel, stainless	12	A33109-001	Lt. side panel, painted
2	A32948-001	Top Panel, painted		A33109-002	Lt. side panel, painted
	A32948-002	Top Panel, stainless	13	A33108-001	Up front panel, cork
3	03-1419-09	Panel screw		A34394-001	Up front panel, stainless
4	A32938-001	Hanger Brace	14	A33198-001	Control panel assembly
5	A33109-003	Rt. side panel, painted	15	A32944-001	Lower front panel
	A33109-004	Rt. side panel, stainless	16	A34917-001	RH sink support
6	A33113-001	Service panel, painted	17	A34917-001	LH sink support
	A33113-002	Service panel, stainless	18	03-1419-17	Screw
7	A32939-001	Front Brace	19	02-2951-01	Grill
8	A32940-001	Support angle	20	02-2944-20	Sink
9	A33107-001	Gearmotor Support	21	15-0711-01	Emblem
10	A32953-001	Rt. side lower, painted	22	A32958-001	Lower frame assy
	A32953-002	Rt. side lower, stainless	23	A32952-001	Lt side lower, painted
				A32952-002	Lt side lower, stainless

ND650 SERVICE PARTS

Air Cooled Refrigeration

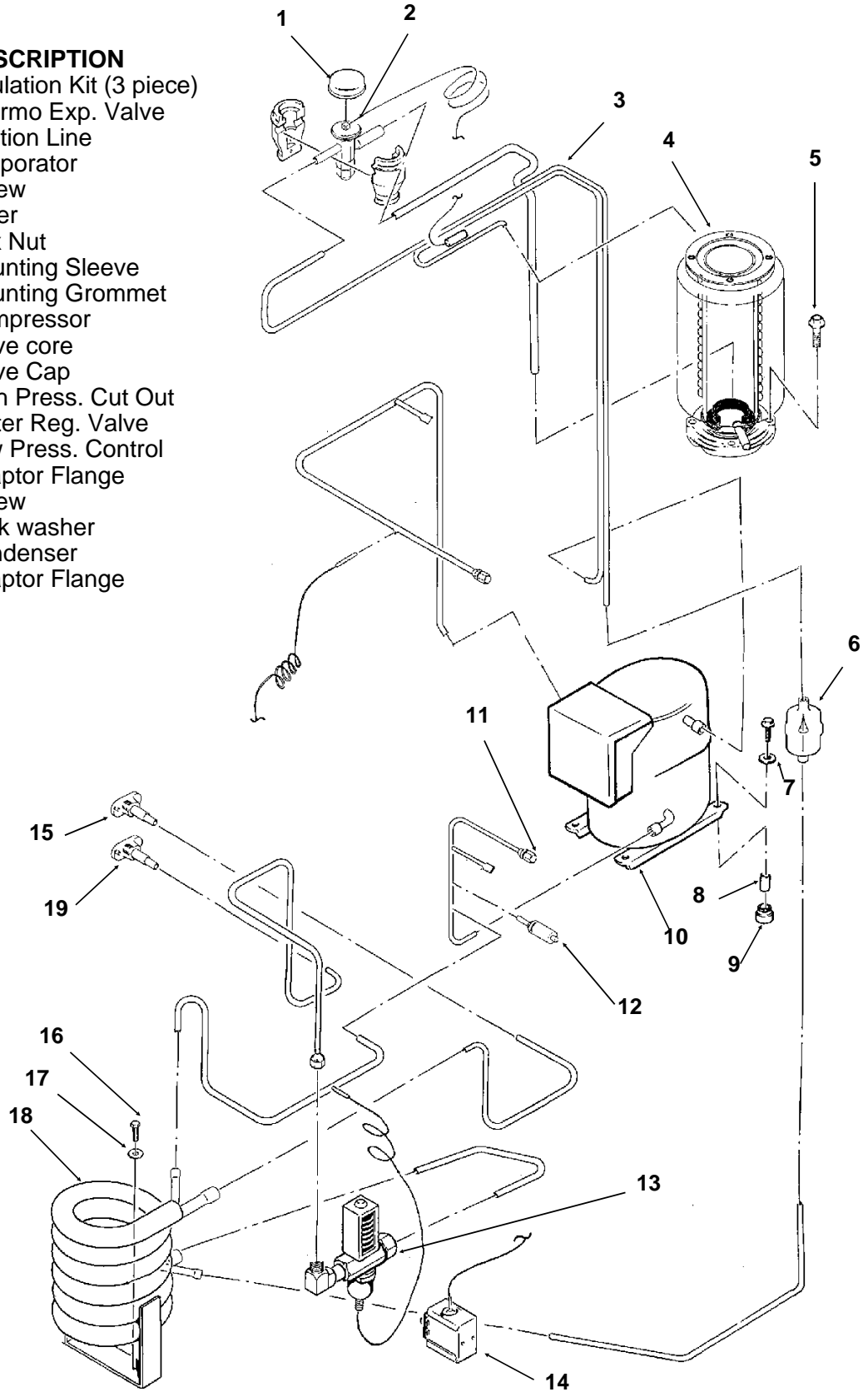
ITEM NUMBER	PART NUMBER	DESCRIPTION
1	A32961-020	Insulation Kit (3 piece)
2	16-0780-21	Thermo Expansion Valve
3	A33330-001	Suction Line
4	A33194-020	Evaporator
5	03-1420-03	Screw
6	18-5700-01	Compressor
7	03-1406-10	Hex nut
8	02-3319-02	Dryer
9	18-2200-27	Mounting Sleeve
10	18-2200-28	Mounting Grommet
11	18-0559-07	Fan Motor
12	18-0422-00	Fan Bracket
13	11-0447-20	Low Pressure Cont.
14	18-0137-02	Fan Blade
15	A33110-001	Fan Shroud
16	18-8100-01	Condenser
17	03-1406-10	Nut
18	16-0560-00	Valve Core
	16-0563-00	Valve Cap
19	11-0446-22	Hi Press. Cut Out



ND650 SERVICE PARTS

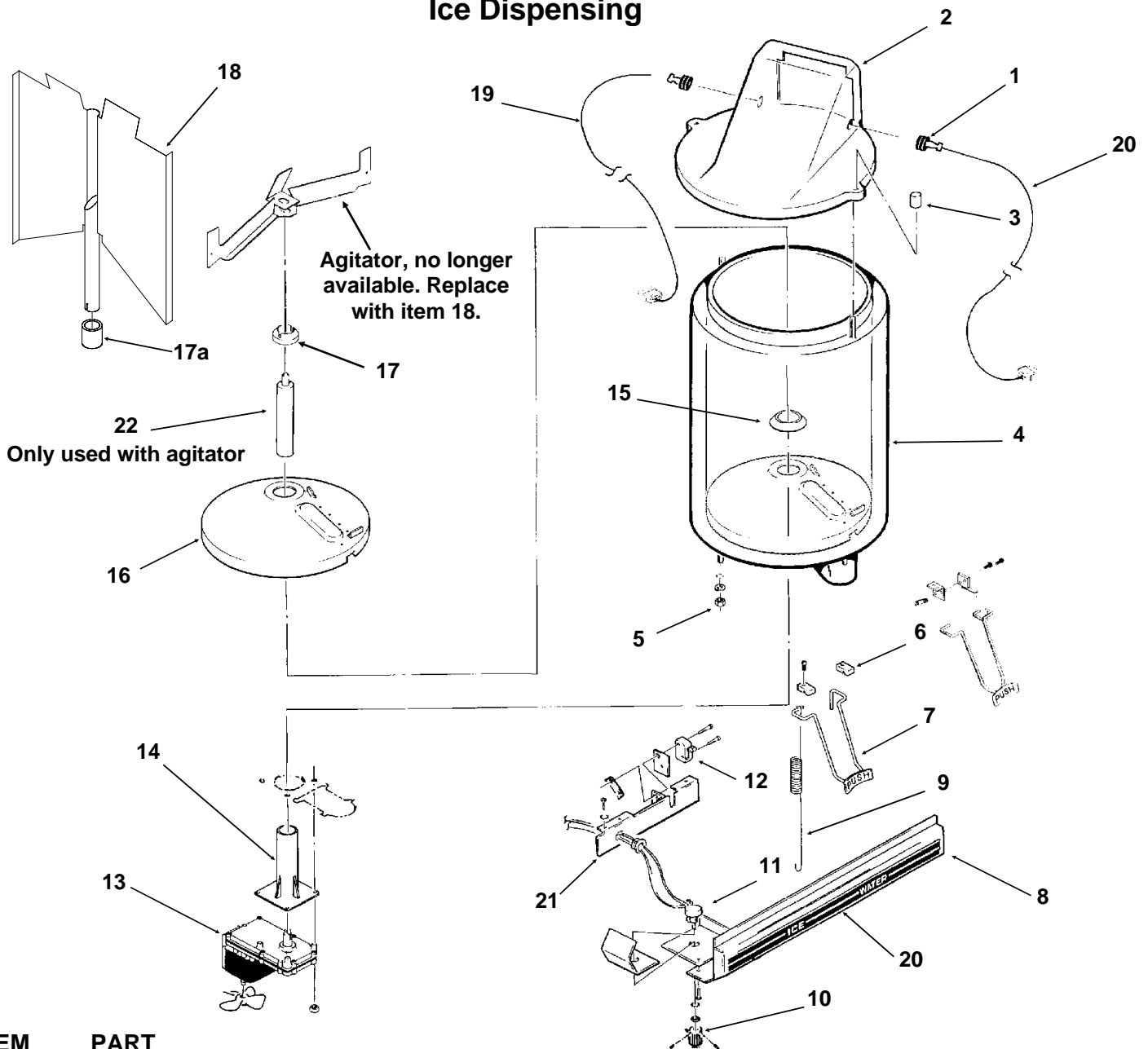
Water Cooled Refrigeration

ITEM NUMBER	PART NUMBER	DESCRIPTION
1	A32961-020	Insulation Kit (3 piece)
2	16-0780-21	Thermo Exp. Valve
3	A33330-001	Suction Line
4	A33194-020	Evaporator
5	03-1420-03	Screw
6	02-3319-02	Dryer
7	03-1406-10	Hex Nut
8	18-2200-27	Mounting Sleeve
9	18-2200-28	Mounting Grommet
10	18-5700-01	Compressor
11	16-0560-00	Valve core
12	16-0563-00	Valve Cap
13	11-0446-22	High Press. Cut Out
14	11-0424-01	Water Reg. Valve
15	11-0447-20	Low Press. Control
16	A31828-001	Adaptor Flange
17	03-1645-01	Screw
18	03-1410-03	Lock washer
19	18-3305-25	Condenser
20	A31828-002	Adaptor Flange



ND650 SERVICE PARTS

Ice Dispensing



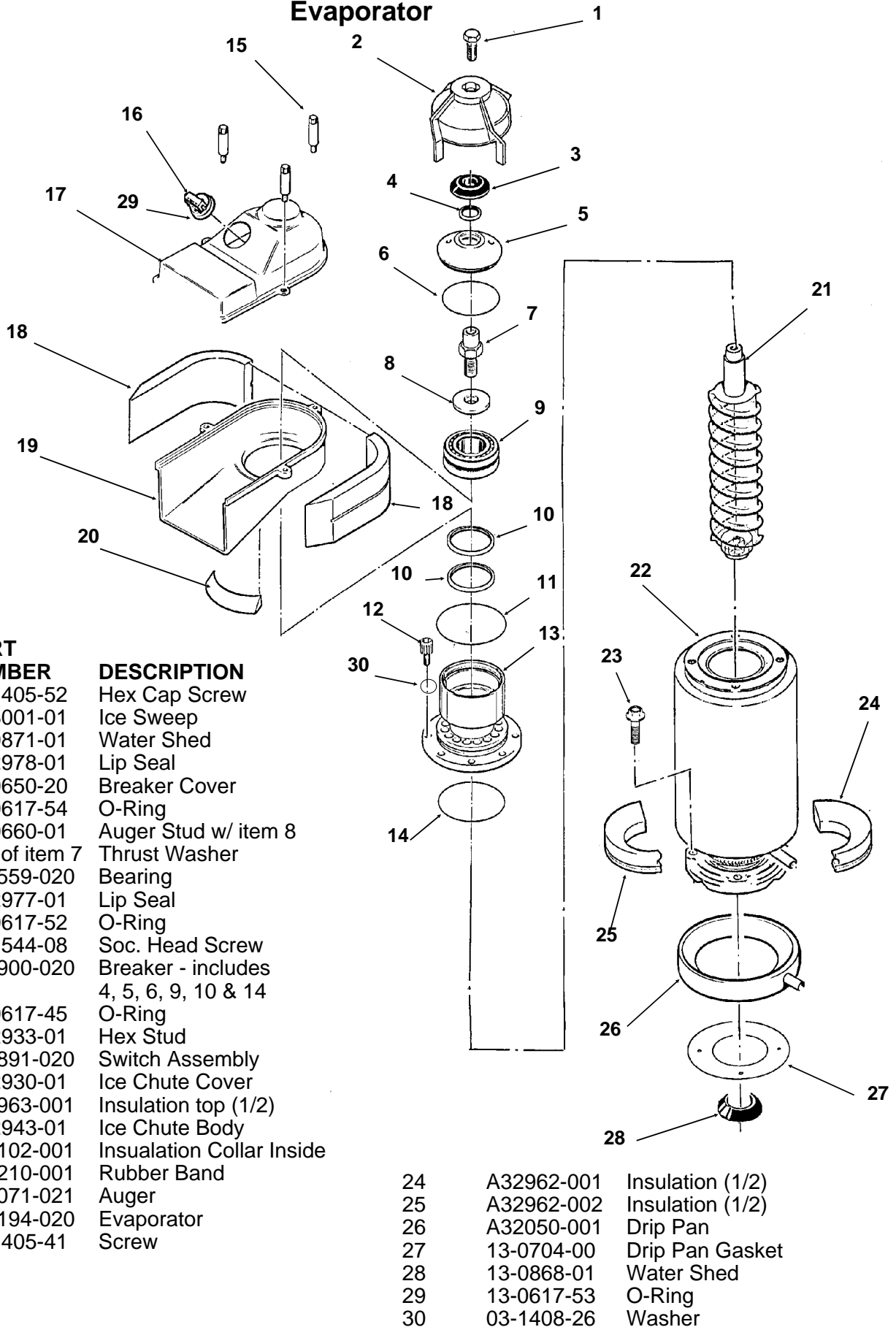
ITEM NUMBER	PART NUMBER	DESCRIPTION
1	13-0866-01	Grommet, Bin Control
2	A34493-003	Bin top
3	03-0255-00	Wing Nut
4	A34496-002	Storage Bin Assembly
5	03-1406-09	Hex nut
	03-1410-03	Lock washer
6	02-2950-01	Arm Clamp
7	02-2076-01	Glass Filler Lever use with 12-1642-00 switch (thru 1990)
	02-3167-01	Glass filler lever, use with 12-2409-01 switch (beg. Jan. 91)
8	A33198-001	Control Panel Assy
9	02-3022-01	Spring
11	A24258-003	Potentiometer
10	02-1810-00	Knob
12	12-1642-00	Microswitch thru 1990
	12-2409-01	Microswitch (current)
13	12-2677-01	Vane Drive Motor**
14	02-1971-00	Bracket
15	13-0747-00	Water Shed
16	A32657-001	Bin Bottom
17*	02-2998-01	Bushing (used with agitator)
17a*	02-3327-01	Bearing, used with vane
18*	A37267-001	Ice vane, includes bearing**
19	A37710-021	Ice Level Sensor
20	15-0672-01	Ice Decal
21	A33351-001	Switch Plate
22*	obsolete	Drive shaft

*Used with agitator, not vane

**Vane and Vane Drive Motor changed 4/97. Not interchangeable with prior design. Order both items 13 and 18 to replace agitator or prior vane and/or motor.

ND650 SERVICE PARTS

Evaporator

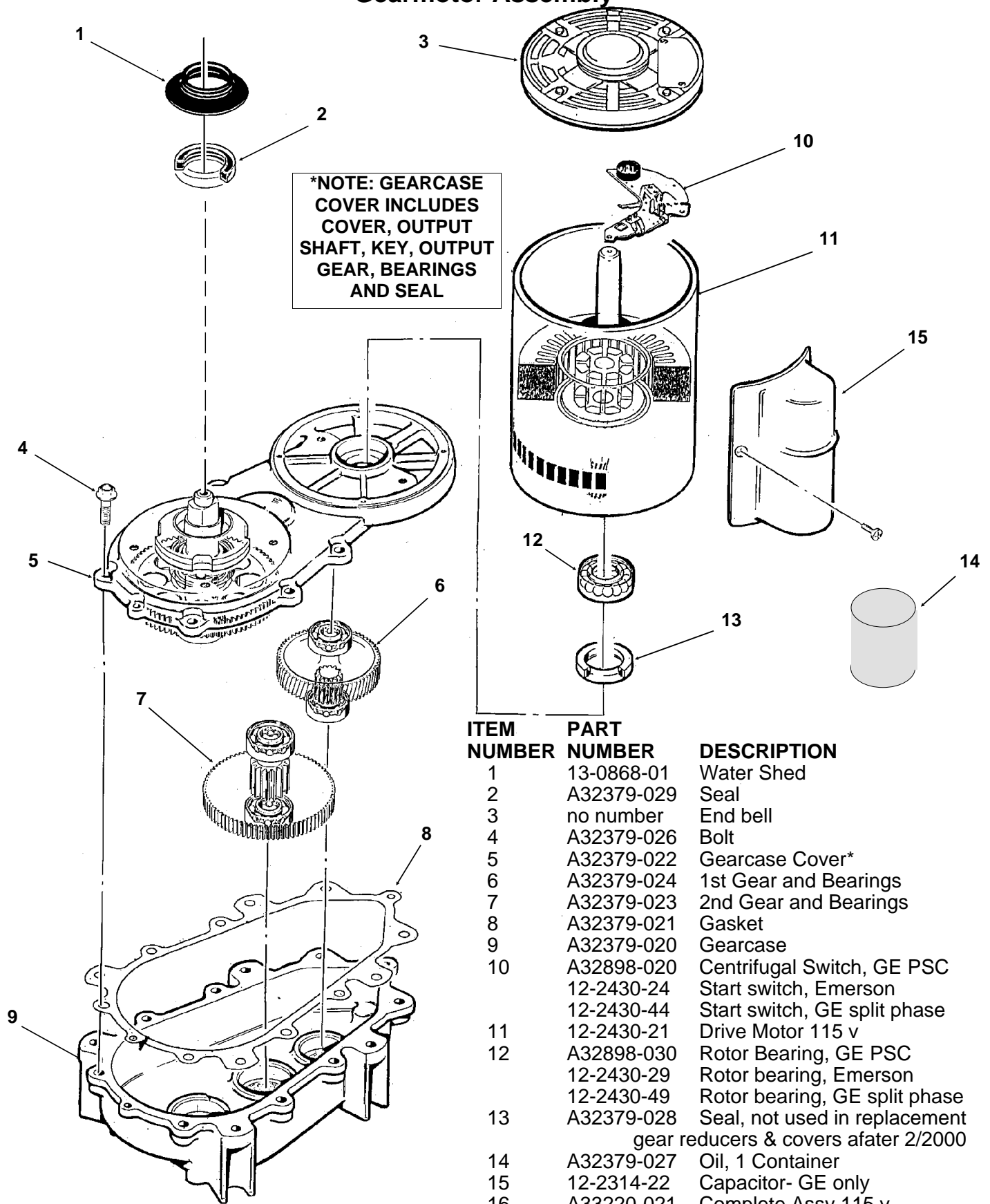


ITEM NUMBER	PART NUMBER	DESCRIPTION
1	03-1405-52	Hex Cap Screw
2	02-3001-01	Ice Sweep
3	13-0871-01	Water Shed
4	02-2978-01	Lip Seal
5	08-0650-20	Breaker Cover
6	13-0617-54	O-Ring
7	08-0660-01	Auger Stud w/ item 8
8	part of item 7	Thrust Washer
9	A34559-020	Bearing
10	02-2977-01	Lip Seal
11	13-0617-52	O-Ring
12	03-1544-08	Soc. Head Screw
13	A32900-020	Breaker - includes 4, 5, 6, 9, 10 & 14
14	13-0617-45	O-Ring
15	02-2933-01	Hex Stud
16	A32891-020	Switch Assembly
17	02-2930-01	Ice Chute Cover
18	A32963-001	Insulation top (1/2)
19	02-2943-01	Ice Chute Body
20	A33102-001	Insulation Collar Inside
	A33210-001	Rubber Band
21	A38071-021	Auger
22	A33194-020	Evaporator
23	03-1405-41	Screw

24	A32962-001	Insulation (1/2)
25	A32962-002	Insulation (1/2)
26	A32050-001	Drip Pan
27	13-0704-00	Drip Pan Gasket
28	13-0868-01	Water Shed
29	13-0617-53	O-Ring
30	03-1408-26	Washer

ND650 SERVICE PARTS

Gearmotor Assembly

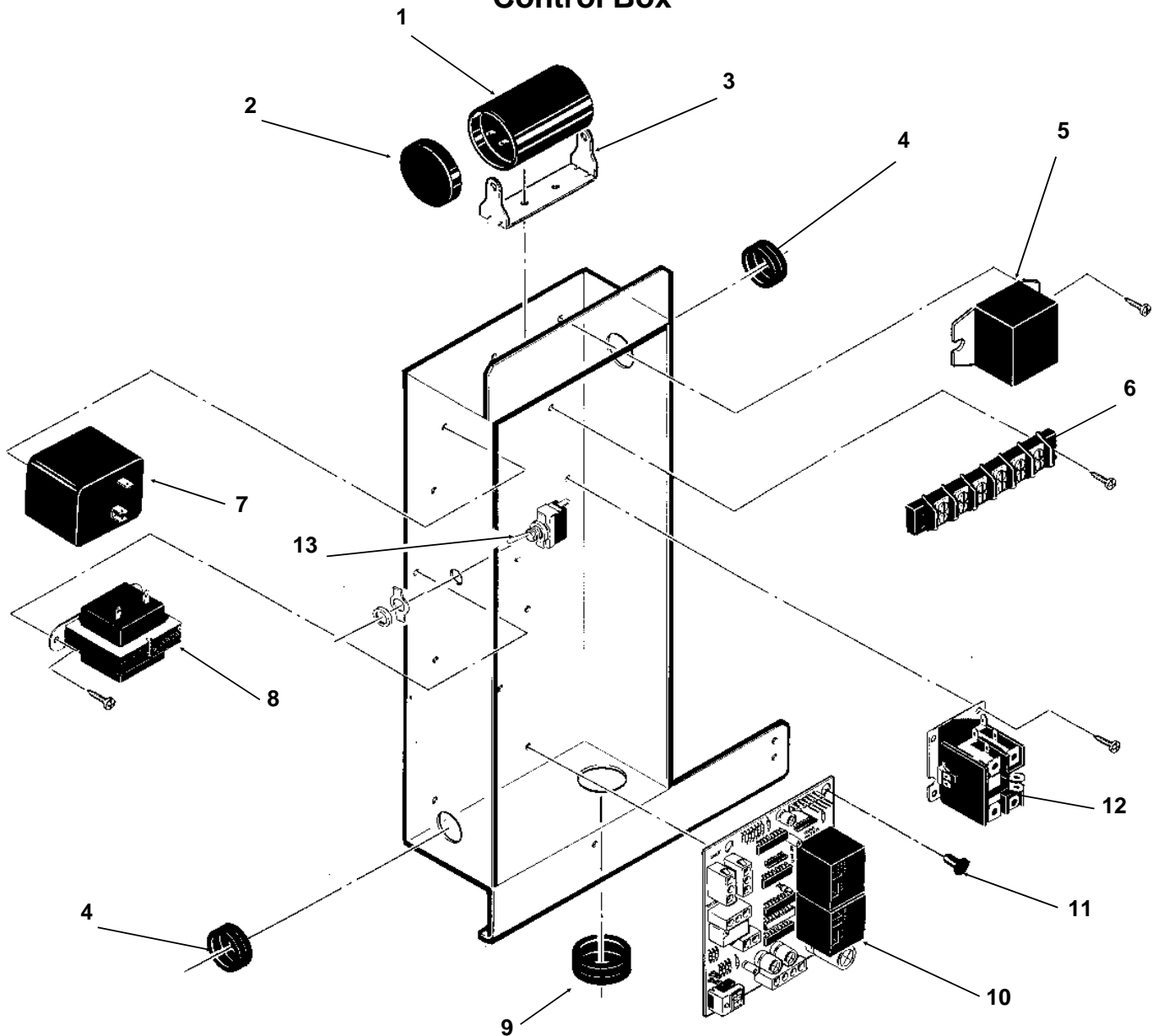


***NOTE: GEARCASE
COVER INCLUDES
COVER, OUTPUT
SHAFT, KEY, OUTPUT
GEAR, BEARINGS
AND SEAL**

ITEM NUMBER	PART NUMBER	DESCRIPTION
1	13-0868-01	Water Shed
2	A32379-029	Seal
3	no number	End bell
4	A32379-026	Bolt
5	A32379-022	Gearcase Cover*
6	A32379-024	1st Gear and Bearings
7	A32379-023	2nd Gear and Bearings
8	A32379-021	Gasket
9	A32379-020	Gearcase
10	A32898-020	Centrifugal Switch, GE PSC
	12-2430-24	Start switch, Emerson
	12-2430-44	Start switch, GE split phase
11	12-2430-21	Drive Motor 115 v
12	A32898-030	Rotor Bearing, GE PSC
	12-2430-29	Rotor bearing, Emerson
	12-2430-49	Rotor bearing, GE split phase
13	A32379-028	Seal, not used in replacement gear reducers & covers afater 2/2000
14	A32379-027	Oil, 1 Container
	12-2314-22	Capacitor- GE only
	A33220-021	Complete Assy 115 v
	A33220-030	Gears, oil and cases. No motor.

ND650 SERVICE PARTS

Control Box

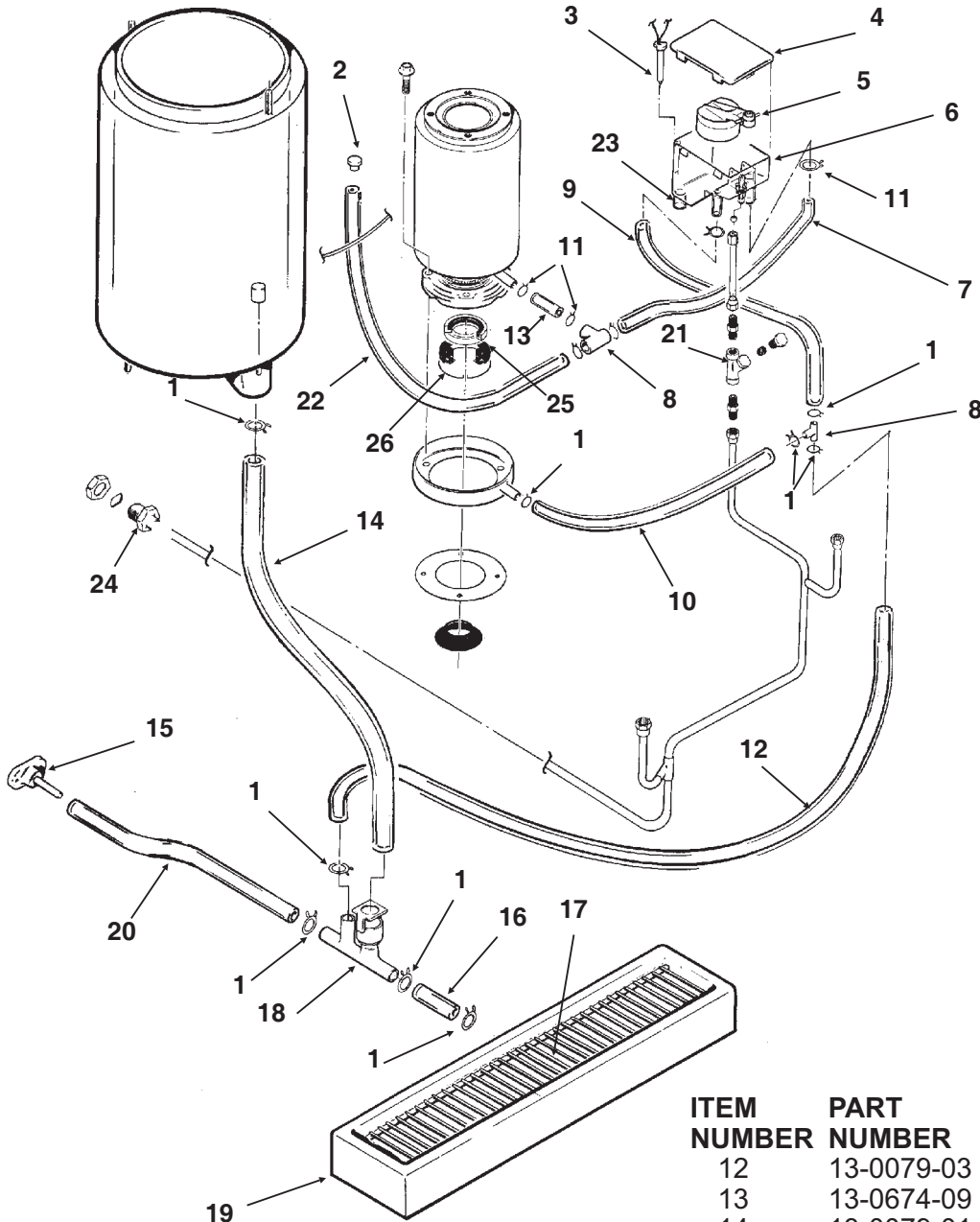


ITEM NUMBER	PART NUMBER	DESCRIPTION
1	18-1901-47	Start Capacitor
2	18-2200-38	Cap for start capacitor
3	18-2200-39	Start Cap. Bracket
4	12-1213-10	Bushing
5	A27857-001	Time Delay Relay
6	12-0813-03	Terminal Strip
7	18-1903-31	Potential Relay
8	12-2285-21	Transformer
9	12-1213-12	Bushing
10	A37750-021	Circuit Board
11	A33219-001	Standoff
12	12-2469-02	Contactor
13	12-0426-01	Switch

Not Illustrated:

14	12-2337-01	Plug Assembly, Circuit Board to Low Pressure Control and Spout Sw.
15	12-2340-01	Plug Assembly, Circuit Board to Transformer
16	12-2298-01	Lockswitch for -1AG (Government Units)
17	A33127-001	Control Box Cover

ND650 SERVICE PARTS Water System

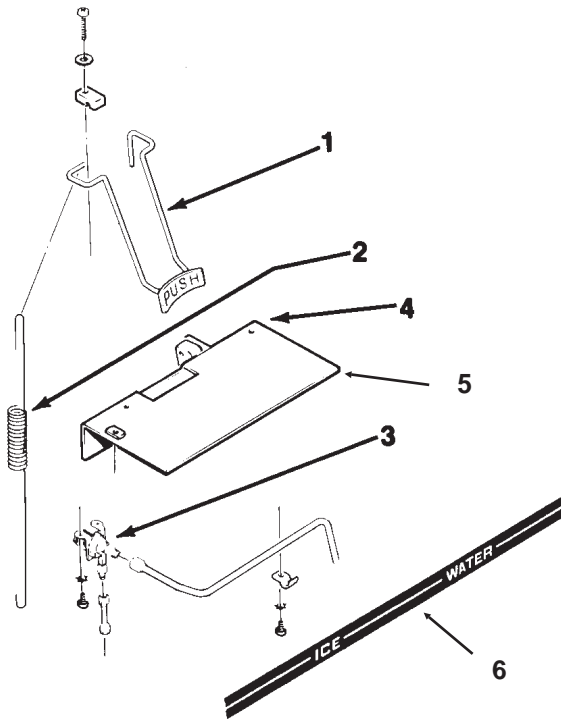


ITEM NUMBER	PART NUMBER	DESCRIPTION
1	02-2814-06	Clamp
2	13-0859-01	Plug
3	A33101-022	Water Sensor
4	02-2936-01	Reservoir Cover
5	A32907-001	Float Assy, complete
6	A32929-020	Reservoir Assy, complete
7	13-0674-06	Tubing, requires 8"
8	16-0670-02	Tee
9	13-0674-09	Tubing, requires 20"
10	13-0079-03	Tube Assy
11	02-2814-08	Clamp

ITEM NUMBER	PART NUMBER	DESCRIPTION
12	13-0079-03	Drain Tube, req. 28"
13	13-0674-09	Evap. Inlet Tube, req 4"
14	13-0079-01	Bin Drain Tube, req. 15"
15	02-3692-21	Drain Casting
16	13-0079-01	Sink Tube, req. 1-3/4"
17	02-2951-01	Grill
18	A34557-001	Drain
19	02-2944-20	Sink
20	13-0079-01	Drain Tube, req. 8"
21	16-0162-00	Strainer
22	13-0674-09	Drain Tube, req. 14.5"
23	13-0230-00	Rubber cap
24	A27318-001	Inlet Fitting (only)
25	02-0929-23	Water Seal
26	A32777-001	Retaining Ring

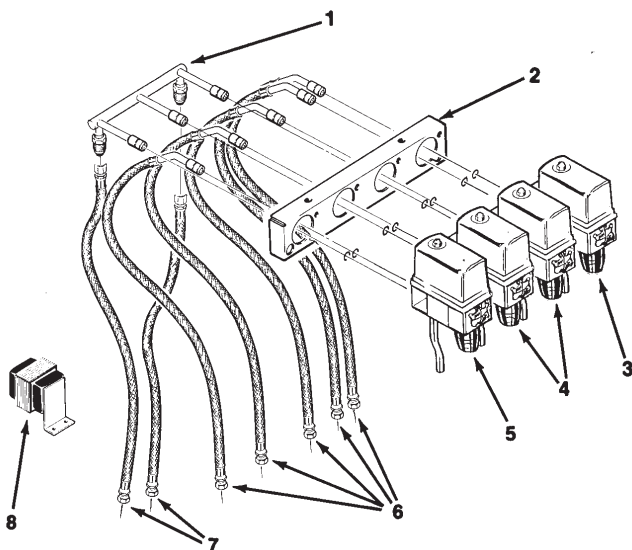
ND650 SERVICE PARTS

WATER GLASS FILLER STATION (KWGFA)



ITEM NUMBER	PART NUMBER	DESCRIPTION
1	02-2076-01	Glass Filler Lever
2	02-3022-01	Spring
3	12-1646-01	Solenoid Assembly
4	12-1642-00	Switch (mounted to plate)
	12-2409-01	Switch (mount to base)
5	A29886-001	Valve plate
6	15-0672-01	Label

KIT: KV5H-30 ELECTRIC VALVE KIT



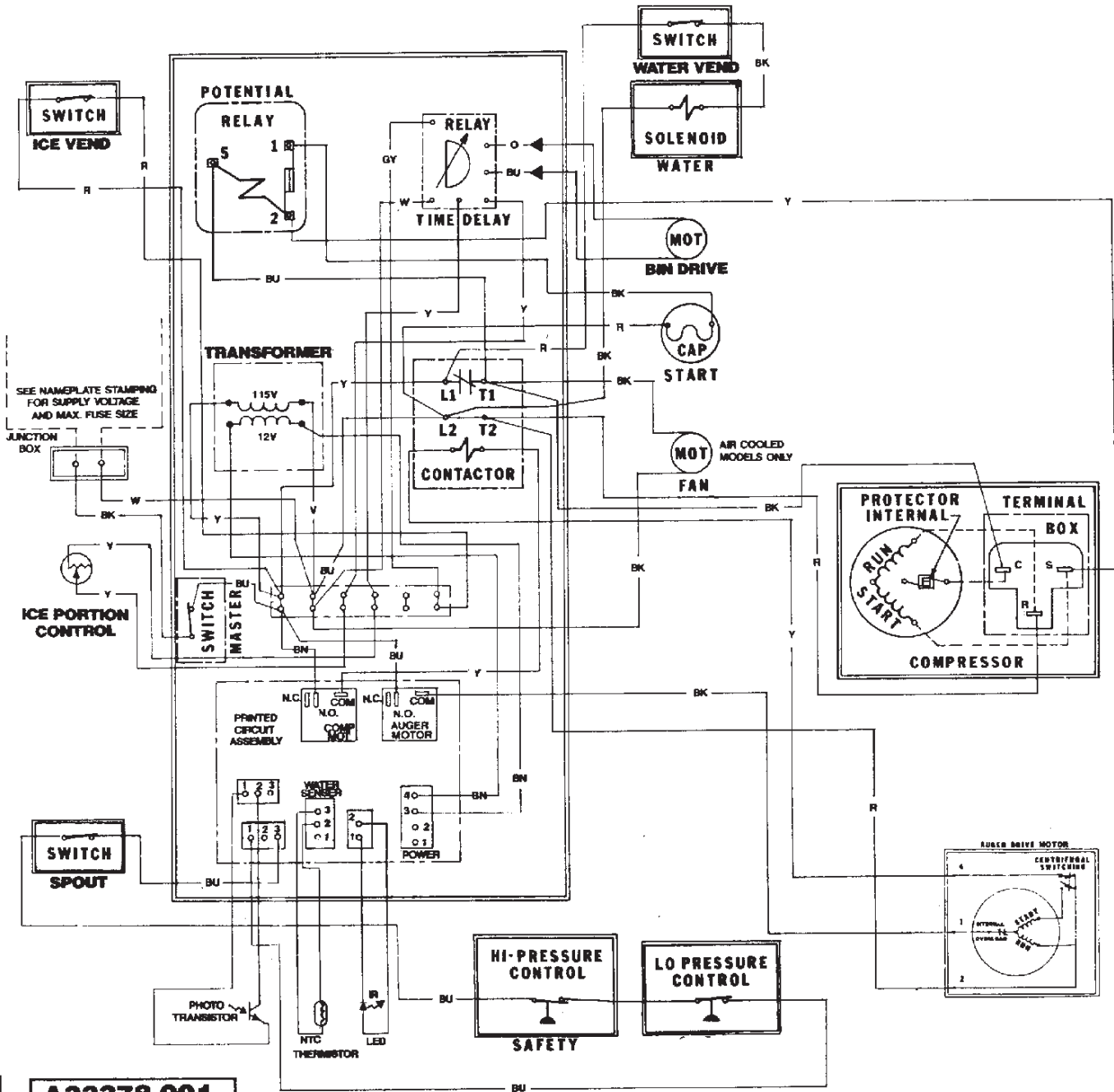
ITEM NUMBER	PART NUMBER	DESCRIPTION
1	02-2128-01	Carb. Manifold Assy
2	A20368-000	Faucet Bracket
3	02-1205-19	Faucet
4	02-1205-16	Faucet
5	02-1205-17	Faucet
6	A30209-001	Syrup Line
7	A20547-000	Carb. Water Line
8	12-1809-00	Transformer

Note: Scotsman does not stock parts for valves. Determine the model of valve on your unit and order parts from:

McCann's Engineering & Mfg. Co.
2570 Colorado Blvd.
Los Angeles, CA 90039

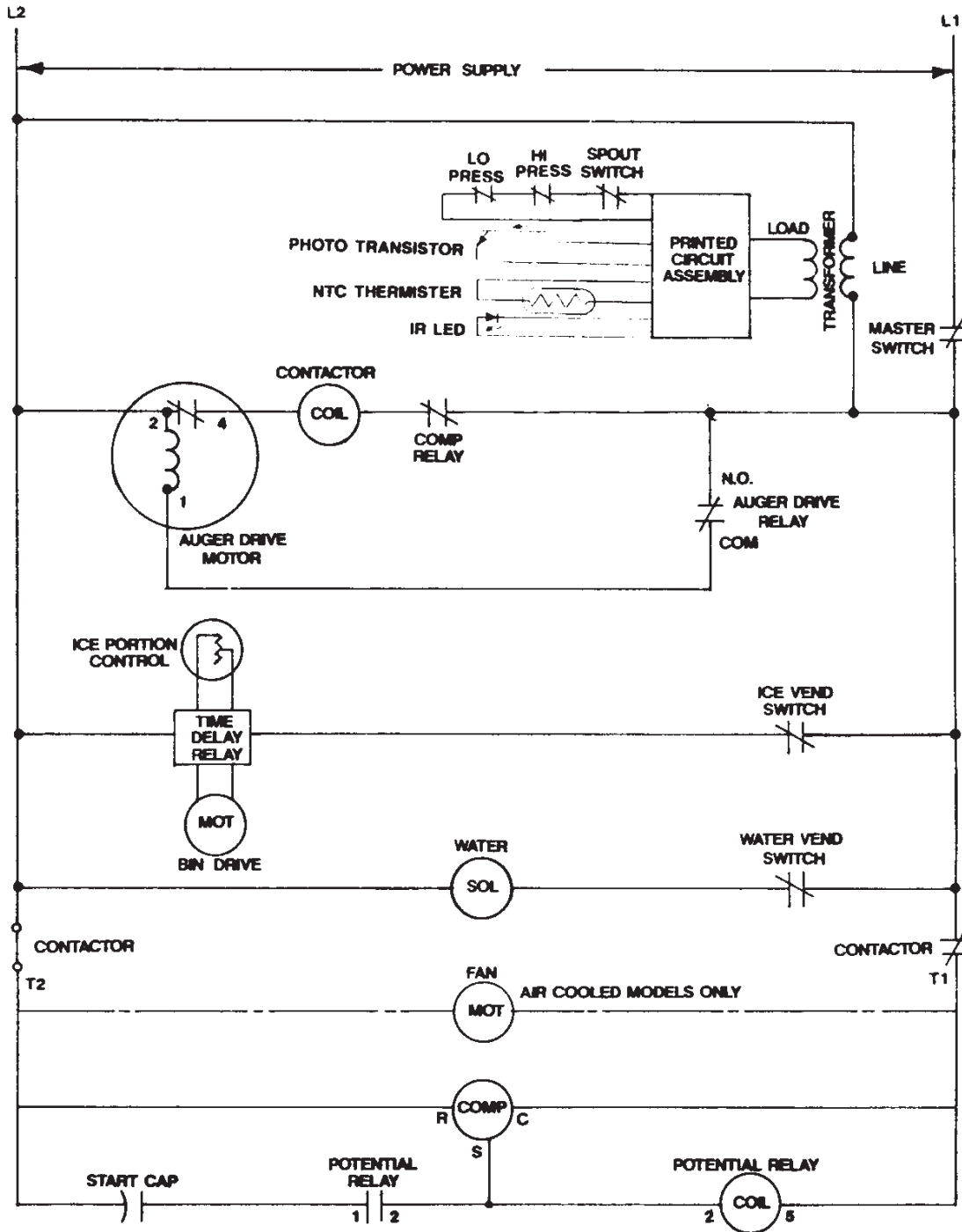
ND650 SERVICE PARTS

Component Layout Diagram



ND650 SERVICE PARTS

Schematic Diagram

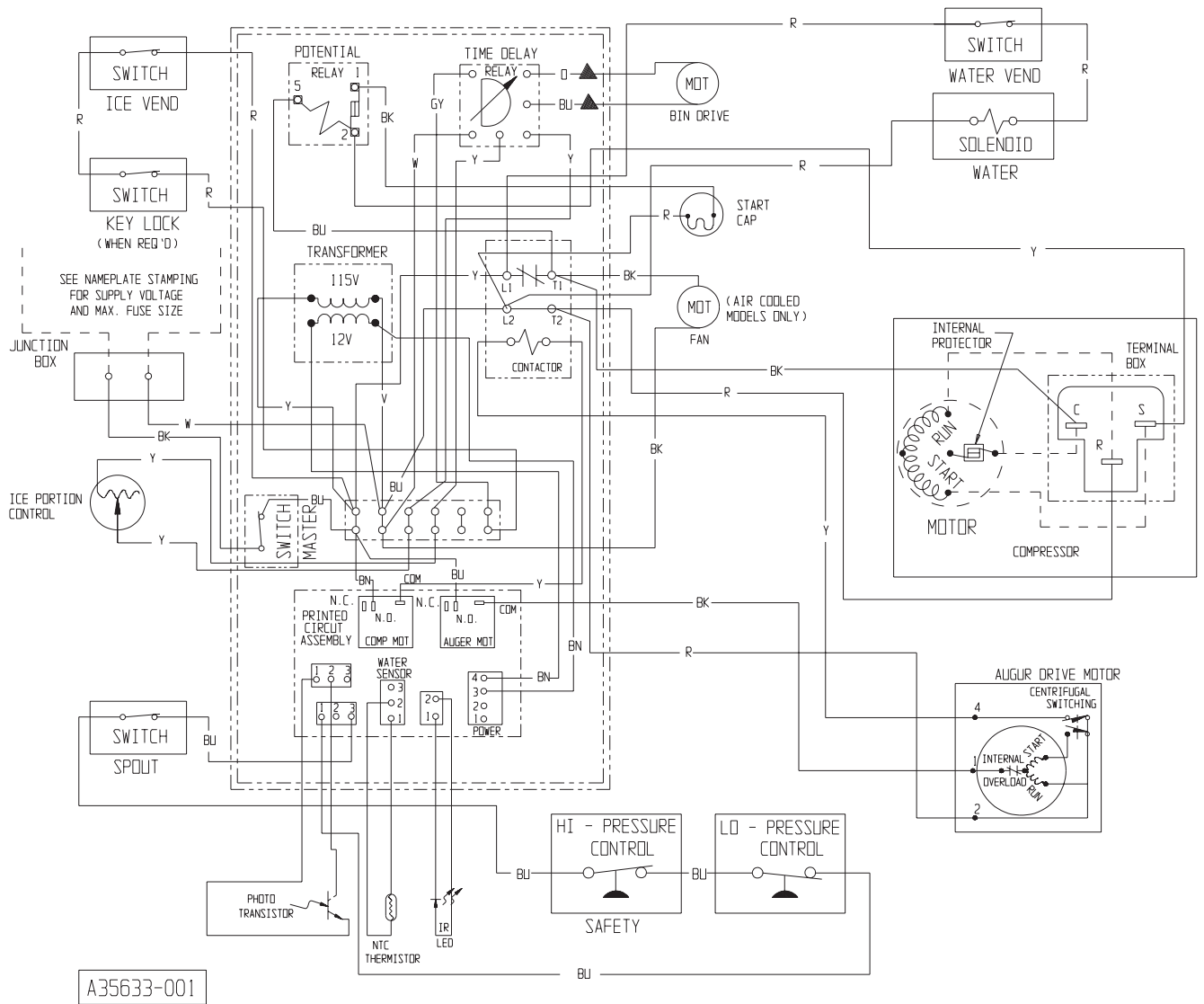


USE COPPER CONDUCTORS ONLY

THIS UNIT MUST BE GROUNDED

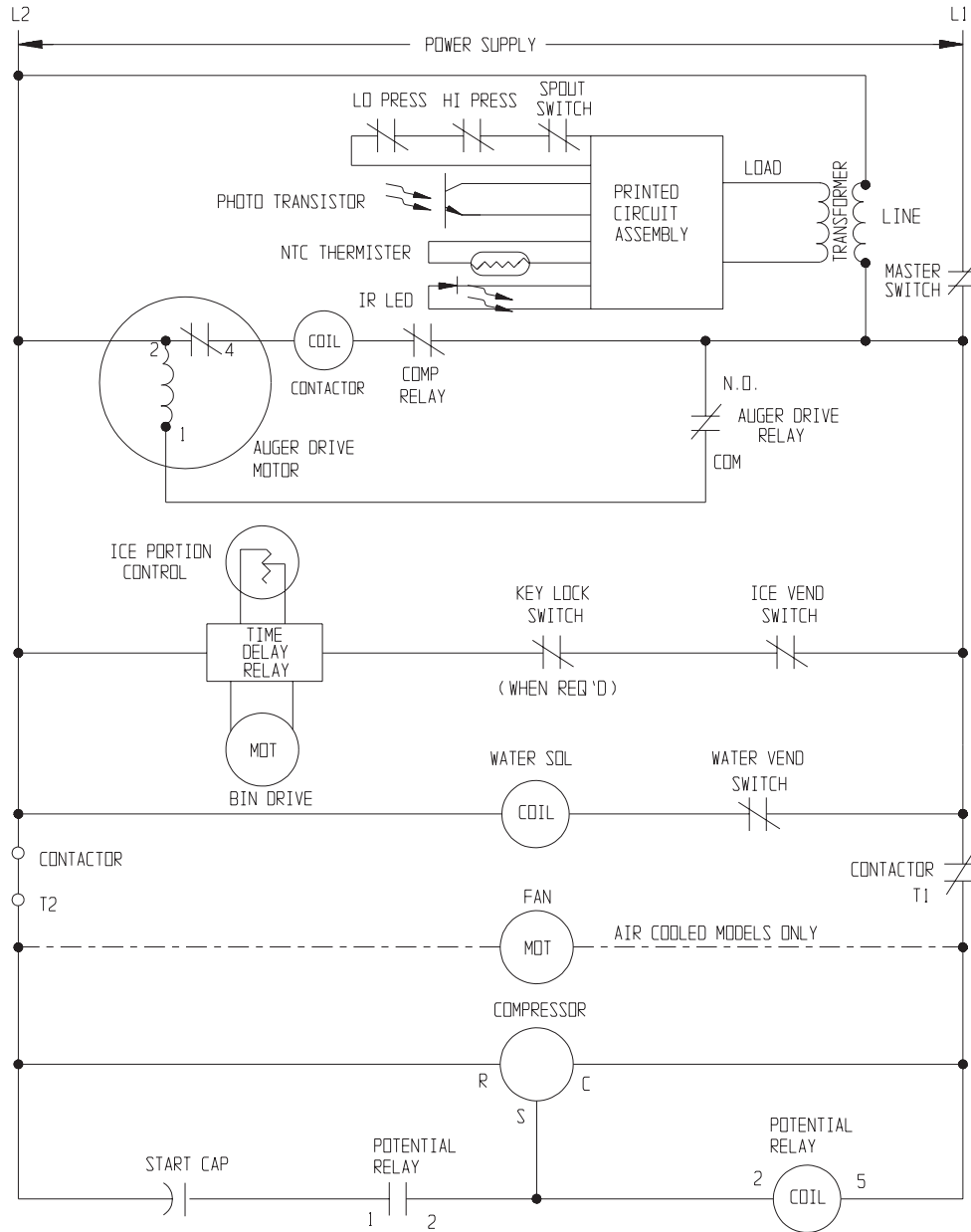
**ALL CONTROLS SHOWN IN NORMAL ICE MAKING MODE
WITH ALL DISPENSING SYSTEMS IN OPERATION**

ND650 SERVICE PARTS



ND650 SERVICE PARTS

Schematic Diagram



USE COPPER CONDUCTORS ONLY
 THIS UNIT MUST BE GROUNDED
 ALL CONTROLS SHOWN IN NORMAL ICE MAKING MODE
 WITH ALL DISPENSING SYSTEMS IN OPERATION.