

NDE750 SERVICE PARTS

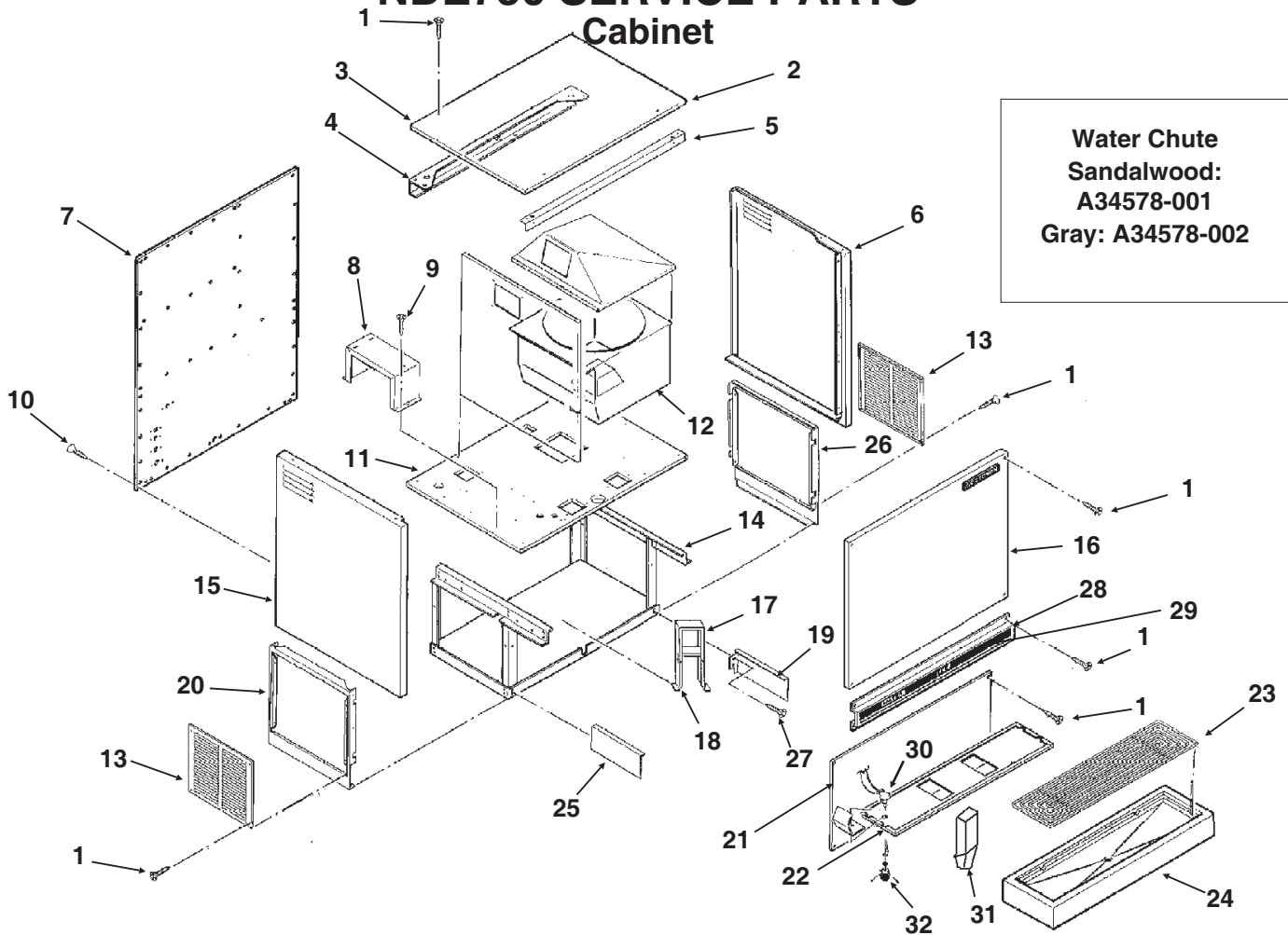
This parts list contains the service parts and wiring diagrams for this model. Check the model number of the machine needing parts to be sure that this is the correct parts list.

Note: The liquid line filter drier listed in this parts list is designed for this refrigeration system. Premature failure may result if the wrong drier is used.

TABLE OF CONTENTS

Cabinet Assembly	Page 2
Air Cooled Refrigeration	Page 3
Water Cooled Refrigeration	Page 4
Water System	Page 5
Evaporator	Page 6
Gearmotor	Page 7
Ice Chute and Dispensing	Page 8
Control Box	Page 9
Dispense System	Page 10
Wiring Diagram	Page 11

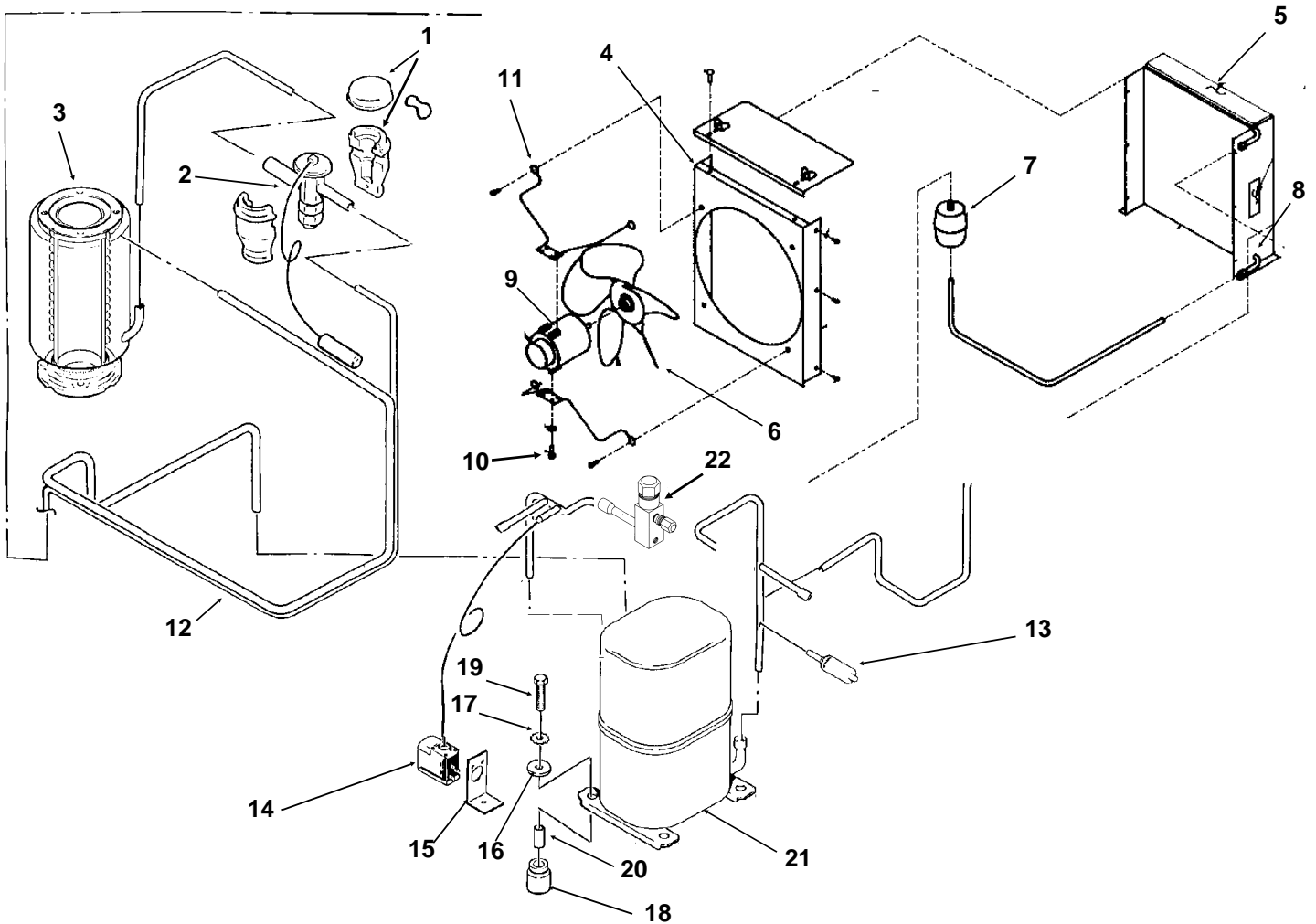
NDE750 SERVICE PARTS



ITEM NUMBER	PART NUMBER	DESCRIPTION
1	03-1419-22	S.S. Screw
2	A34563-001	Upper Brace
3	A33282-001	Top panel, sandalwood
	A33282-015	Top panel, gray
	A33282-002	Top panel, stainless
4	A34625-001	Bin support brace
5	A34957-001	Ice bin cover
6	A34414-001	Rt. side up panel, sandalwood
	A34414-015	Rt. side up panel, gray
	A34414-002	Rt. side up panel, s s
7	A33276-001	Back panel, sandalwood
	A33276-015	Back panel, gray
	A33276-002	Back panel, stainless
8	A33287-001	Evap. support bracket
9	03-0571-01	Screw
10	03-1531-01	Screw
11	A33285-001	Upper Plate
12	A34016-001	Ice Storage Bin
13	A33281-001	Service Panel, sandalwood
	A33281-015	Service panel, gray
	A33281-002	Service Panel, stainless
14	A33280-001	Lower frame assy
15	A33283-001	Lt. side pnl, upper sandalwood
	A33283-015	Lft side panel, upper - gray
	A33283-002	Lt. side pnl, upper s s
16	A34441-001	Upper front panel, s s
	A33275-001	Upper front panel, sandalwood
	A33275-002	Upper front panel, gray
	A34560-001	Front pnl, s-wood gov't mod.
	A34560-002	Front panel, gray govmt mod.
	A34561-001	Front pnl, ss, gov't mod
17	A34508-001	Agit mtr support, upper
18	A34509-001	Agit mtr support, lower
19	A34401-016	Right sink support
20	A33284-001	Lwr Lt. side panel, sandalwood
	A33284-015	Lower left side, gray
	A33284-002	Lwr Lt. side panel, s s
21	A34477-001	Splash panel
22	A34443-002	Ice chute panel, s. s.
23	02-2582-01	Grill
24	A31047-001	Sink, brown
	A31047-032	Sink, gray
25	A34401-015	Sink support left
26	A33284-003	Rt. side lwr panel, sandalwood
	A33284-015	Rt. side lower, gray
	A33284-004	Rt. side lwr panel, s s
27	03-1645-01	Screw 1/4 20 x 1/2"
28	A33277-001	Spout cover s s
29	15-0747-01	Decal
30	A24258-002	Potentiometer
31	A35321-001	Ice chute
32	02-1810-00	Knob

NDE750 SERVICE PARTS

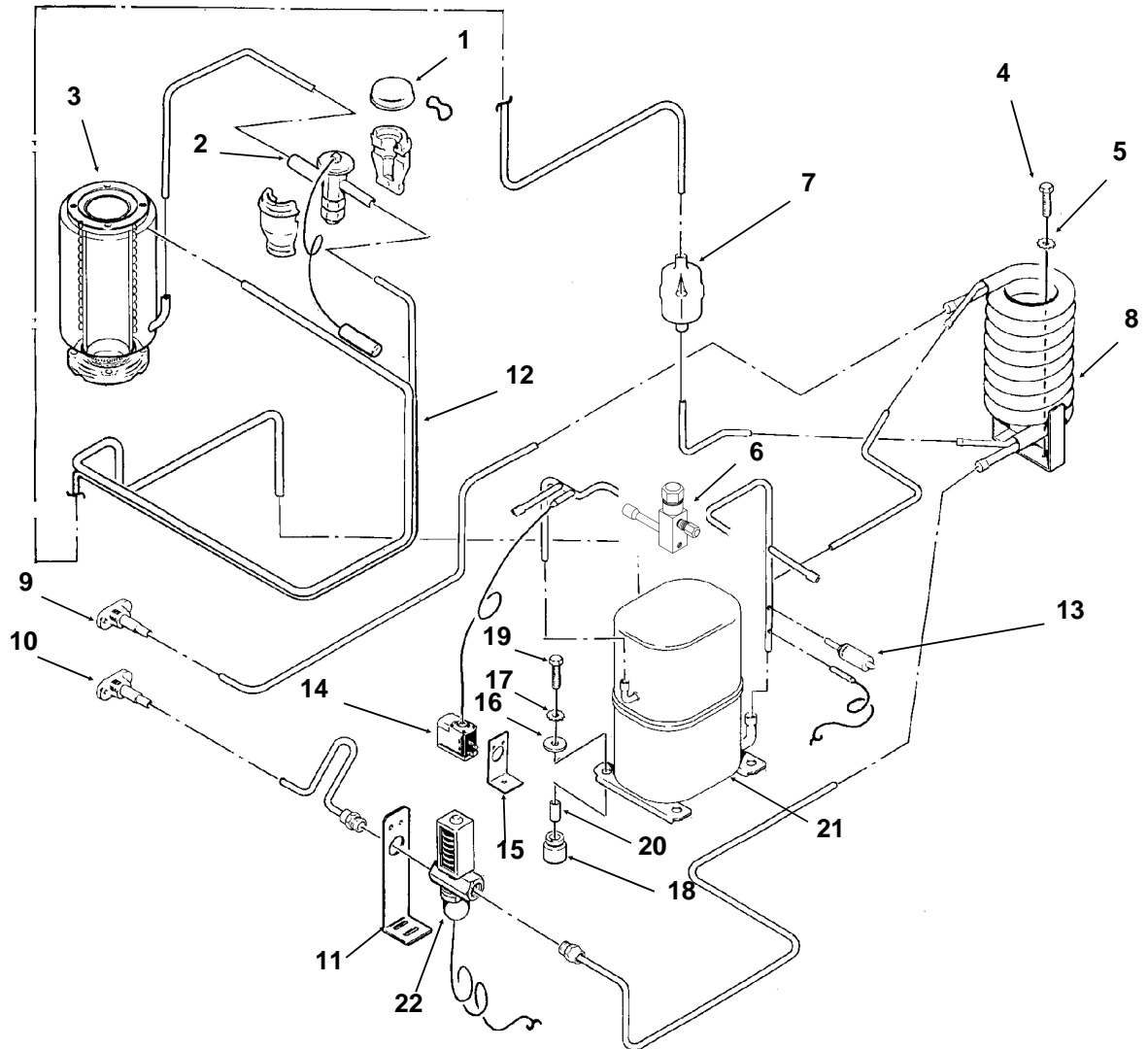
Air Cooled Refrigeration



ITEM NUMBER	PART NUMBER	DESCRIPTION	ITEM NUMBER	PART NUMBER	DESCRIPTION
1	A32961-020	Insulation kit, 3 piece	12	A35949-001	Suction line
2	11-0488-21	Thermo expansion valve	13	11-0485-22	Hi press. cut out
3	A33194-020	Evaporator	14	11-0447-20	Low press. cut out
4	A35911-001	Fan shroud	15	A34531-001	Bracket
5	18-8732-01	Condenser	16	03-1407-07	Washer
6	18-3732-01	Fan blade	17	03-1410-04	Lockwasher
7	02-3319-02	Dryer	18	18-2200-28	Grommet
8	03-0571-01	Screw	19	03-1406-10	Hex nut
9	18-5105-11	Fan Motor	20	18-2200-27	Metal sleeve
10	03-1531-08	Screw	21	18-8721-21	Compressor
11	02-3333-01	Fan motor bracket		18-8711-50	Overload for compressor
			22	16-0832-20	Access Valve
				16-0832-02	Stem cap
				16-0832-03	Core cap

NDE750 SERVICE PARTS

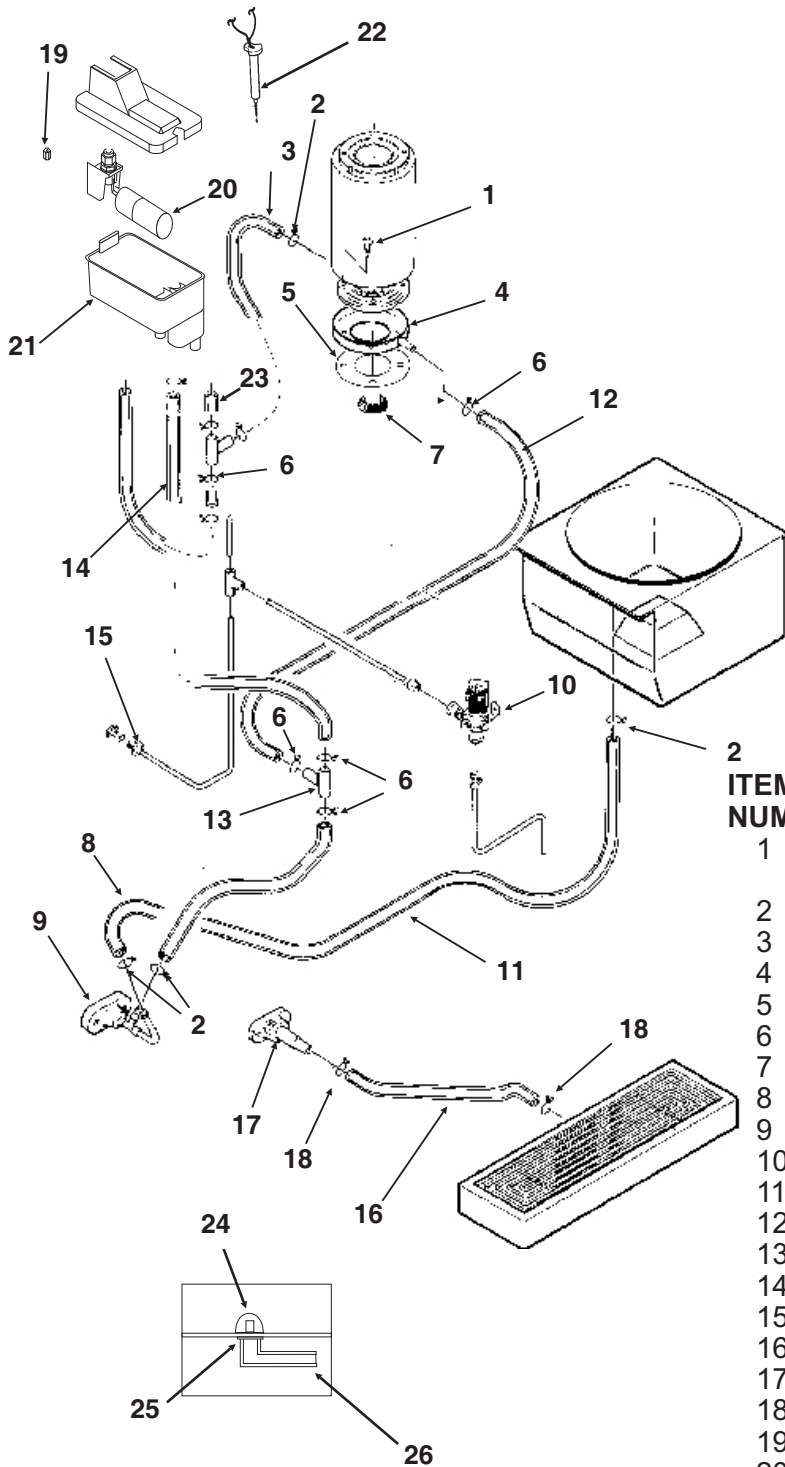
Water Cooled Refrigeration



ITEM NUMBER	PART NUMBER	DESCRIPTION	ITEM NUMBER	PART NUMBER	DESCRIPTION
1	A32961-020	Insulation kit, 3 piece	12	A35949-001	Suction line
2	11-0488-21	Thermo expansion valve	13	11-0485-22	Hi press. cut out
3	A33194-020	Evaporator	14	11-0447-20	Low press. cut out
4	03-0571-01	Screw	15	A34531-001	Bracket
5	03-1407-05	Washer	16	03-1407-07	Washer
6	16-0832-20	Access Valve	17	03-1410-04	Lockwasher
	16-0832-02	Stem cap	18	18-2200-28	Grommet
	16-0832-03	Core cap	19	03-1406-10	Hex nut
7	02-3319-02	Dryer	20	18-2200-27	Metal sleeve
8	18-3306-25	Condenser	21	18-8721-21	Compressor
9	A31828-001	Adaptor flange		18-8711-50	Overload for compressor
10	A31828-002	Adaptor flange	22	11-0478-01	Water reg. valve
11	A33990-001	Bracket			

NDE750 SERVICE PARTS

Water System



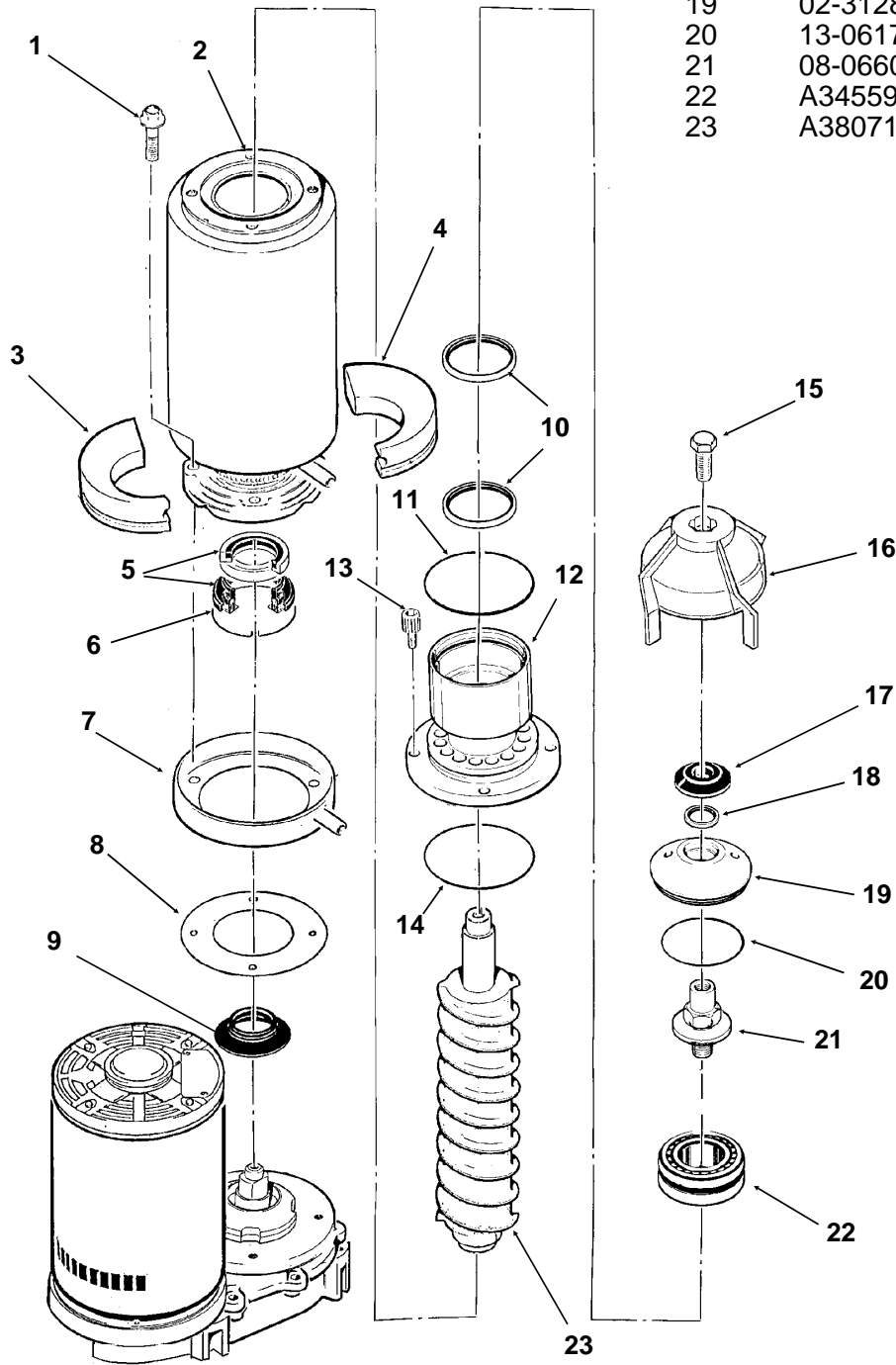
ITEM NUMBER	PART NUMBER	DESCRIPTION
1	03-1420-03	Cap screw
	03-1417-13	Lockwasher
2	02-2814-07	Hose clamp
3	05-0501-01	Evap. inlet tubing (preformed)
4	A32050-001	Drip Pan
5	13-0704-00	Gasket
6	02-2814-06	Hose clamp
7	13-0868-01	Water shed
8	13-0079-03	Drain tubing, 11"
9	A32294-001	Drain assy
10	12-1646-05	Inlet water valve
11	13-0674-06	Drain tubing 27.75"
12	13-0079-03	Drain tubing 4"
13	16-0670-02	Tee
14	13-0079-03	Drain tubing 30"
15	A27318-001	Water inlet fitting
16	13-0674-07	Sink drain tube 33"
17	02-3692-21	Drain casting
18	02-2814-10	Hose clamp
19	02-3266-03	Plunger/seat
20	02-3266-02	Float valve
21	02-3266-20	Reservoir Assy, includes 19, 20
22	A33101-022	Thermo probe
23	13-0674-06	Drain tubing, 11" req.
24	02-2809-01	Drain top
25	13-0617-11	O-ring
26	02-1742-00	Drain btm

NDE750 SERVICE PARTS

Evaporator

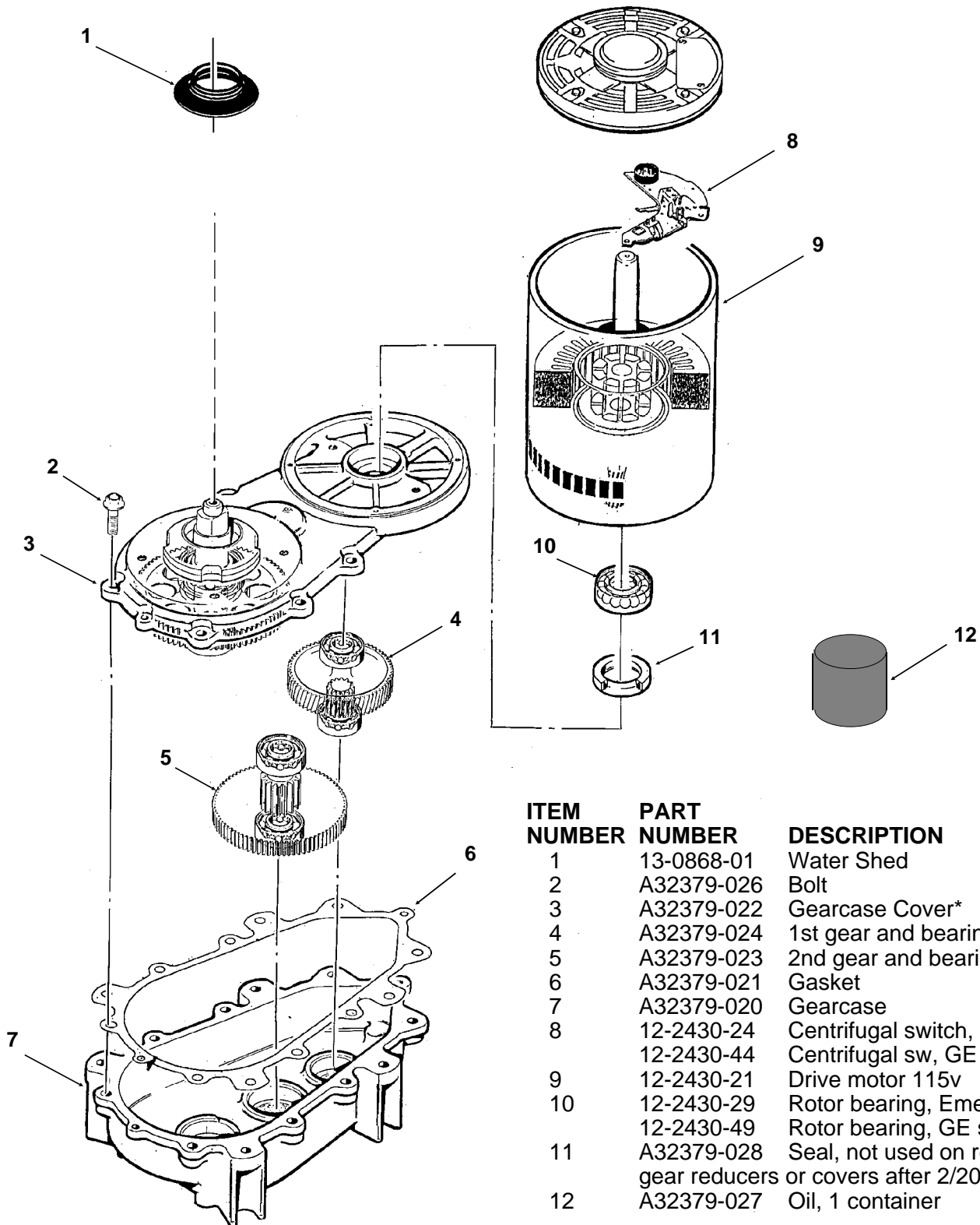
ITEM NUMBER	PART NUMBER	DESCRIPTION
1	03-1420-03	Cap Screw
	03-1417-13	Lockwasher
2	A33194-020	Evaporator
3	A32962-001	Insulation half
4	A32962-002	Insulation half
5	02-0929-23	Water seal
6	A32777-001	Retaining ring for seal
7	A32050-001	Drip pan

ITEM NUMBER	PART NUMBER	DESCRIPTION
8	13-0704-00	Gasket
9	13-0868-01	Water shed
10	02-2977-01	Lip Seal
11	13-0617-54	O-Ring
12	A32900-020	Breaker (incl. 10,14,22)
13	03-1544-08	Soc. head screw
14	13-0617-45	O-ring
15	03-1405-52	Hex cap screw
16	02-3001-01	Ice sweep
17	13-0871-01	Water shed
18	02-2978-01	Lip seal
19	02-3128-20	Breaker cover
20	13-0617-52	O-ring
21	08-0660-01	Auger stud
22	A34559-020	Bearing
23	A38071-021	Auger



NDE750 SERVICE PARTS

Gearmotor

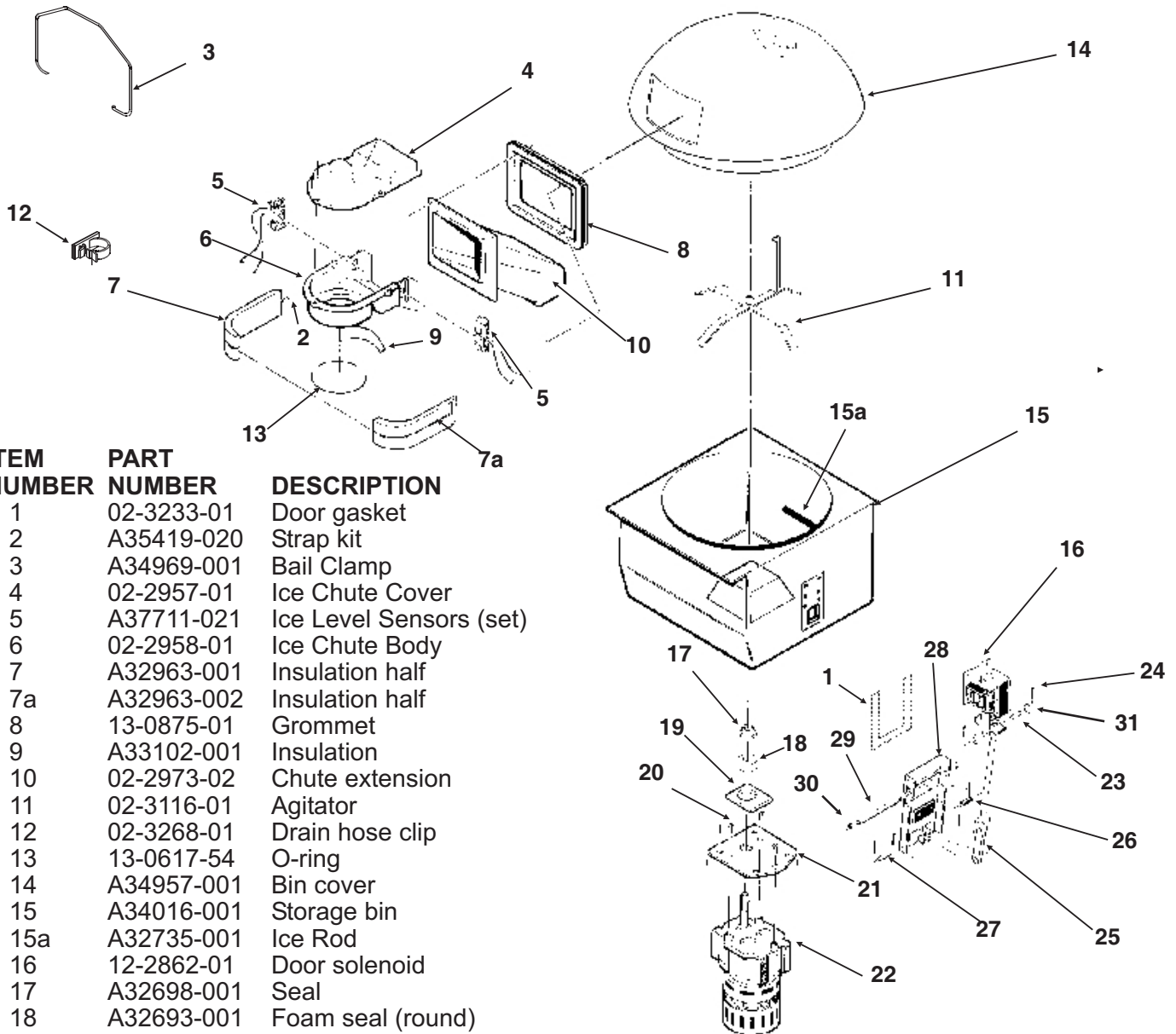


ITEM NUMBER	PART NUMBER	DESCRIPTION
1	13-0868-01	Water Shed
2	A32379-026	Bolt
3	A32379-022	Gearcase Cover*
4	A32379-024	1st gear and bearings
5	A32379-023	2nd gear and bearings
6	A32379-021	Gasket
7	A32379-020	Gearcase
8	12-2430-24	Centrifugal switch, Emerson
	12-2430-44	Centrifugal sw, GE split phase
9	12-2430-21	Drive motor 115v
10	12-2430-29	Rotor bearing, Emerson
	12-2430-49	Rotor bearing, GE split phase
11	A32379-028	Seal, not used on replacement gear reducers or covers after 2/2000
12	A32379-027	Oil, 1 container
13	A33220-021	Complete Assy, 115v
14	A33220-030	Gearcase kit, no motor

* Note: Gearcase cover includes cover, output shaft, key, output gear, bearings and seal.

NDE750 SERVICE PARTS

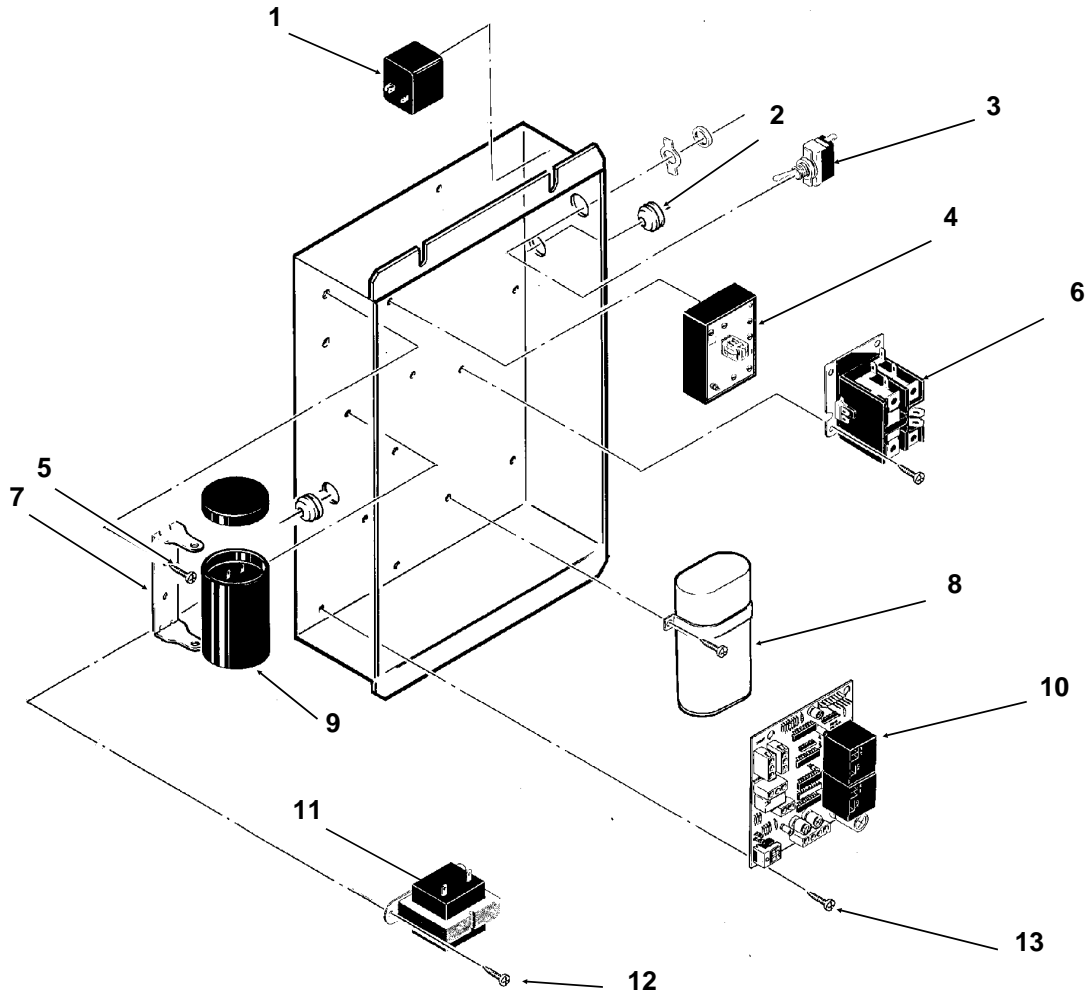
Ice Chute and Dispensing



ITEM NUMBER	PART NUMBER	DESCRIPTION
1	02-3233-01	Door gasket
2	A35419-020	Strap kit
3	A34969-001	Bail Clamp
4	02-2957-01	Ice Chute Cover
5	A37711-021	Ice Level Sensors (set)
6	02-2958-01	Ice Chute Body
7	A32963-001	Insulation half
7a	A32963-002	Insulation half
8	13-0875-01	Grommet
9	A33102-001	Insulation
10	02-2973-02	Chute extension
11	02-3116-01	Agitator
12	02-3268-01	Drain hose clip
13	13-0617-54	O-ring
14	A34957-001	Bin cover
15	A34016-001	Storage bin
15a	A32735-001	Ice Rod
16	12-2862-01	Door solenoid
17	A32698-001	Seal
18	A32693-001	Foam seal (round)
19	A32692-001	Foam seal
20	03-1418-15	Screw
21	A34017-001	Plate
22	12-2368-01	Gearmotor Assy
	A32672-001	Heater for gearmotor
23	A32685-001	Linkage pins, med.
24	03-0396-01	Cotter pin
25	02-3206-01	Solenoid linkage
26	A32690-001	Door spring
27	A32687-001	Linkage pins, small
28	A32787-001	Door
29	A32684-001	Long Axle
30	03-1539-09	"C" Clip
31	03-1407-02	Washer

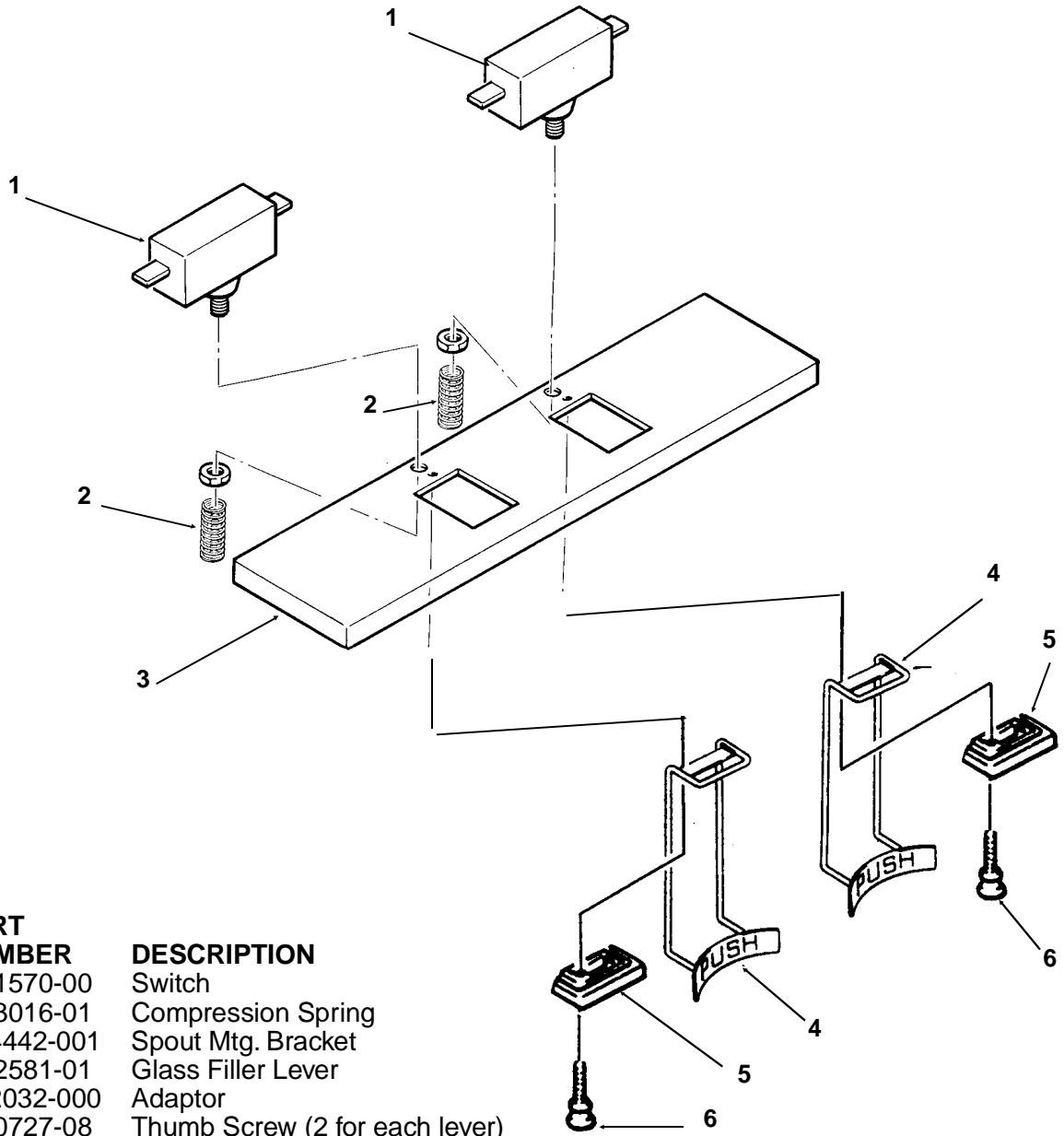
NDE750 SERVICE PARTS

Control Box



ITEM NUMBER	PART NUMBER	DESCRIPTION
1	18-1903-50	Potential Relay
2	12-1213-07	Bushing
3	12-0426-01	On/Off switch
4	12-2360-01	Time delay relay (portion control)
5	03-1419-06	Screw
6	12-2469-03	Contactor 115v
7	18-2200-39	Capacitor bracket
8	18-3701-01	Run capacitor-bin drive motor
9	18-1901-03	Start capacitor
10	A37750-021	Printed circuit board
11	12-2285-21	Transformer
12	03-1531-01	Screw
13	A33219-001	Standoff
NOT ILLUSTRATED		
14	A34528-001	Control box cover
15	12-2340-01	Plug assy, circuit board to transformer
16	12-2337-04	Plug assy, circuit board to LPC
17	18-1902-45	Run capacitor for compressor

NDE750 SERVICE PARTS DISPENSE ASSEMBLY



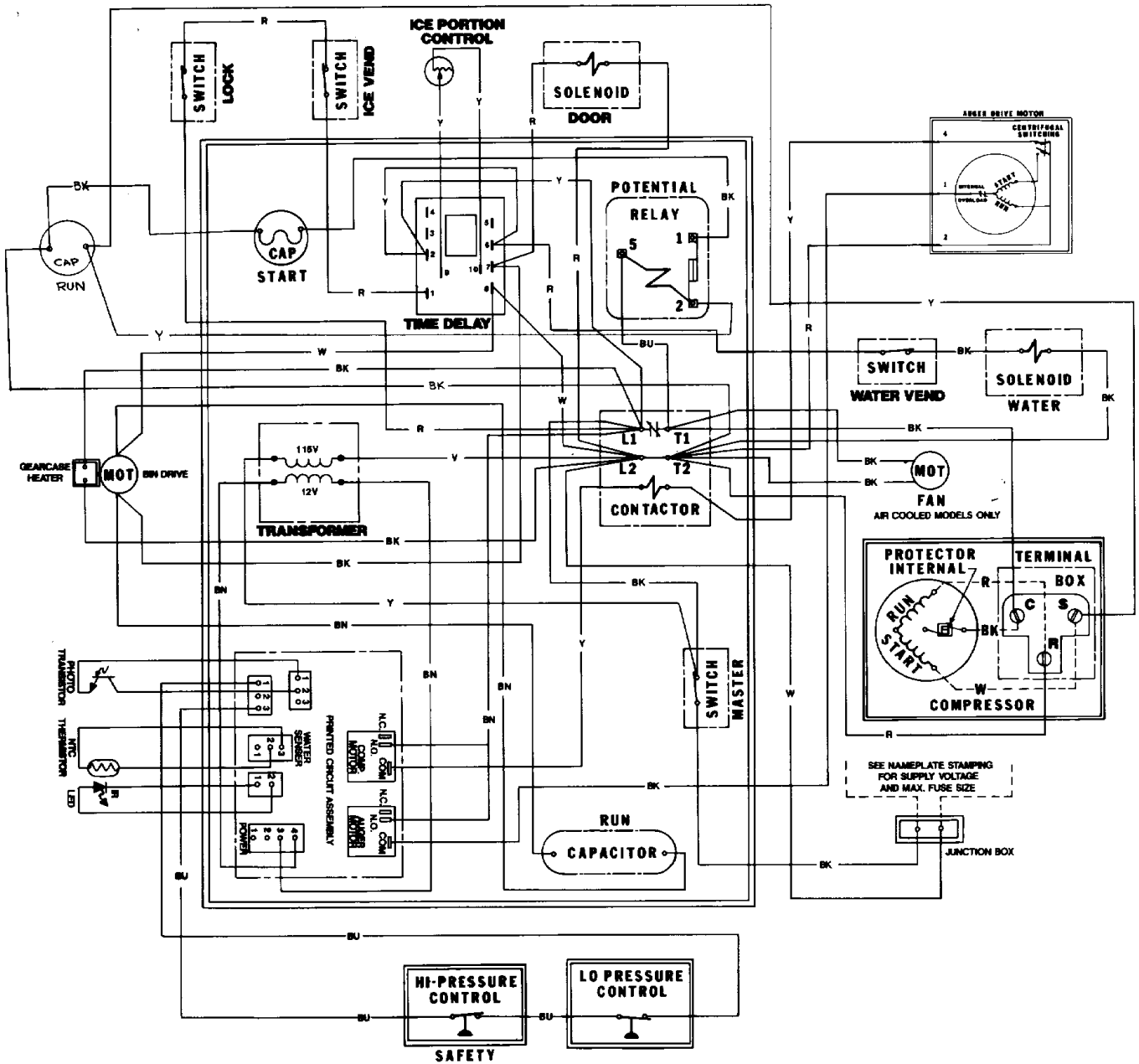
ITEM NUMBER	PART NUMBER	DESCRIPTION
1	12-1570-00	Switch
2	02-3016-01	Compression Spring
3	A34442-001	Spout Mtg. Bracket
4	02-2581-01	Glass Filler Lever
5	A22032-000	Adaptor
6	03-0727-08	Thumb Screw (2 for each lever)

KPC750 Portion Control Kit Service Parts - Not Illustrated

ITEM NUMBER	PART NUMBER	DESCRIPTION
1	12-2360-01	Time Delay Relay
2	A24258-002	Potentiometer
3	02-1810-00	Knob

NDE750 SERVICE PARTS

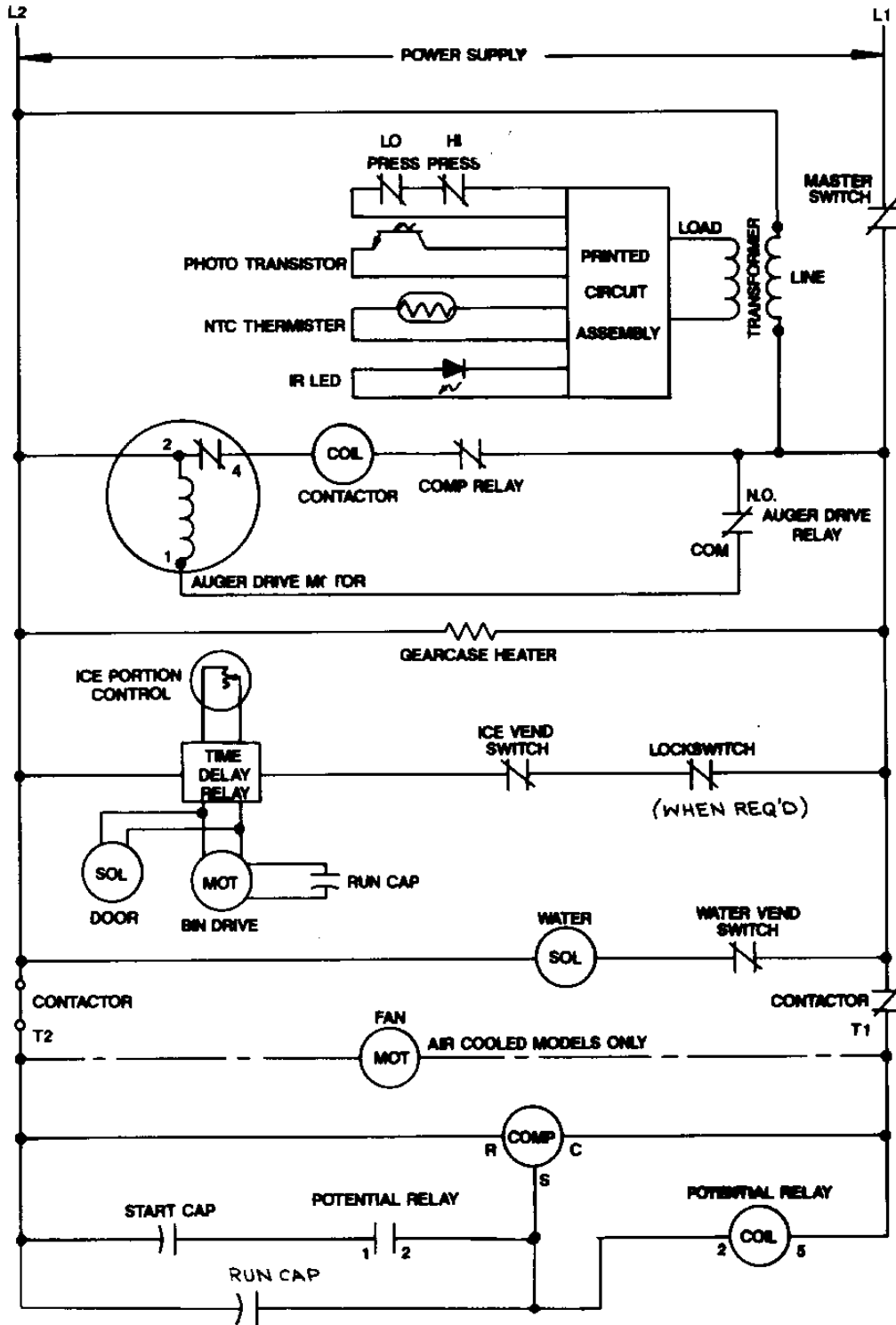
COMPONENT LAYOUT DIAGRAM - units with Portion Control



A36007-001

NDE750 SERVICE PARTS

SCHEMATIC DIAGRAM - Units with Portion Control



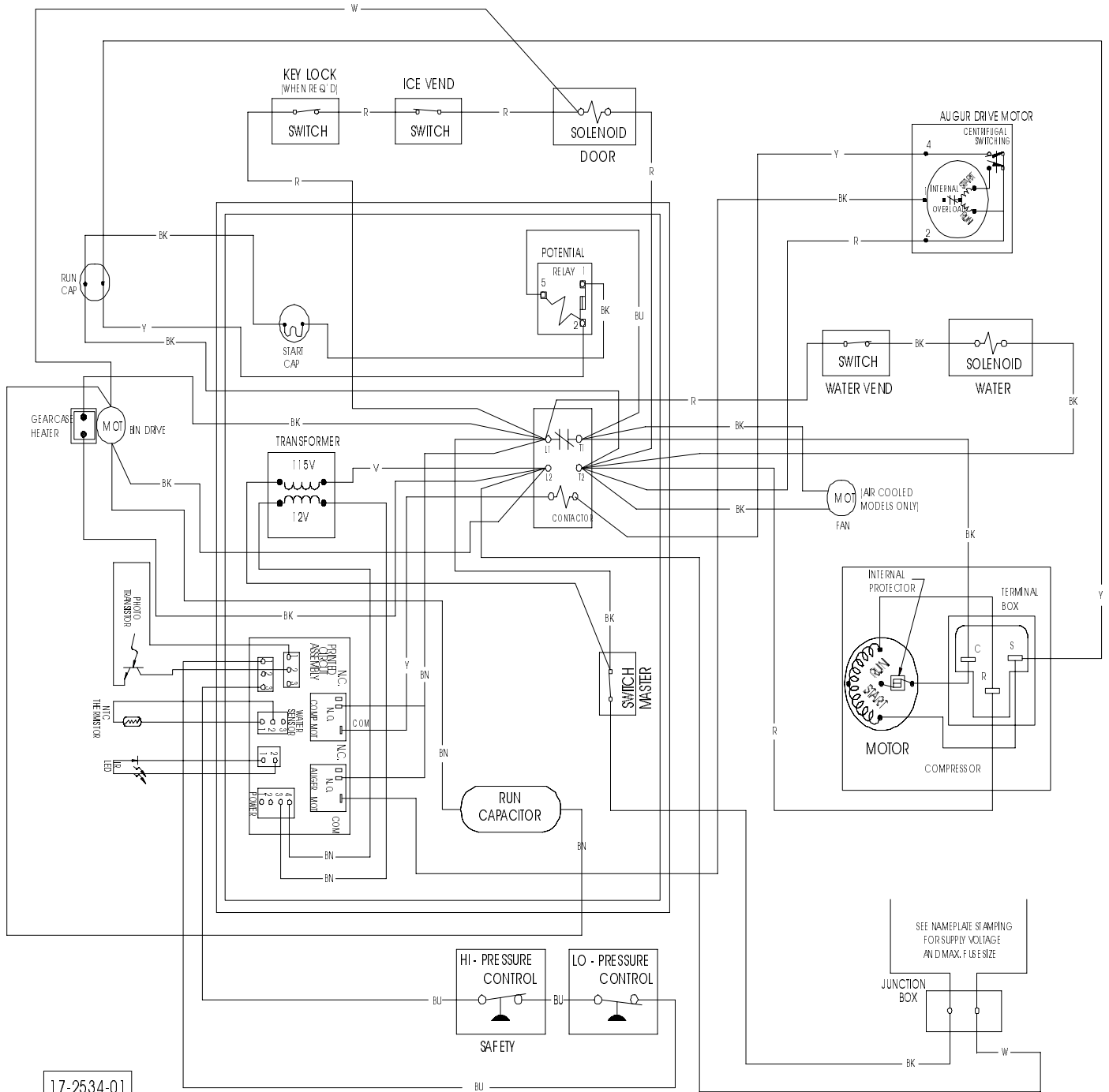
USE COPPER CONDUCTORS ONLY

THIS UNIT MUST BE GROUNDED

**ALL CONTROLS SHOWN IN NORMAL ICE MAKING MODE
WITH ALL DISPENSING SYSTEMS IN OPERATION**

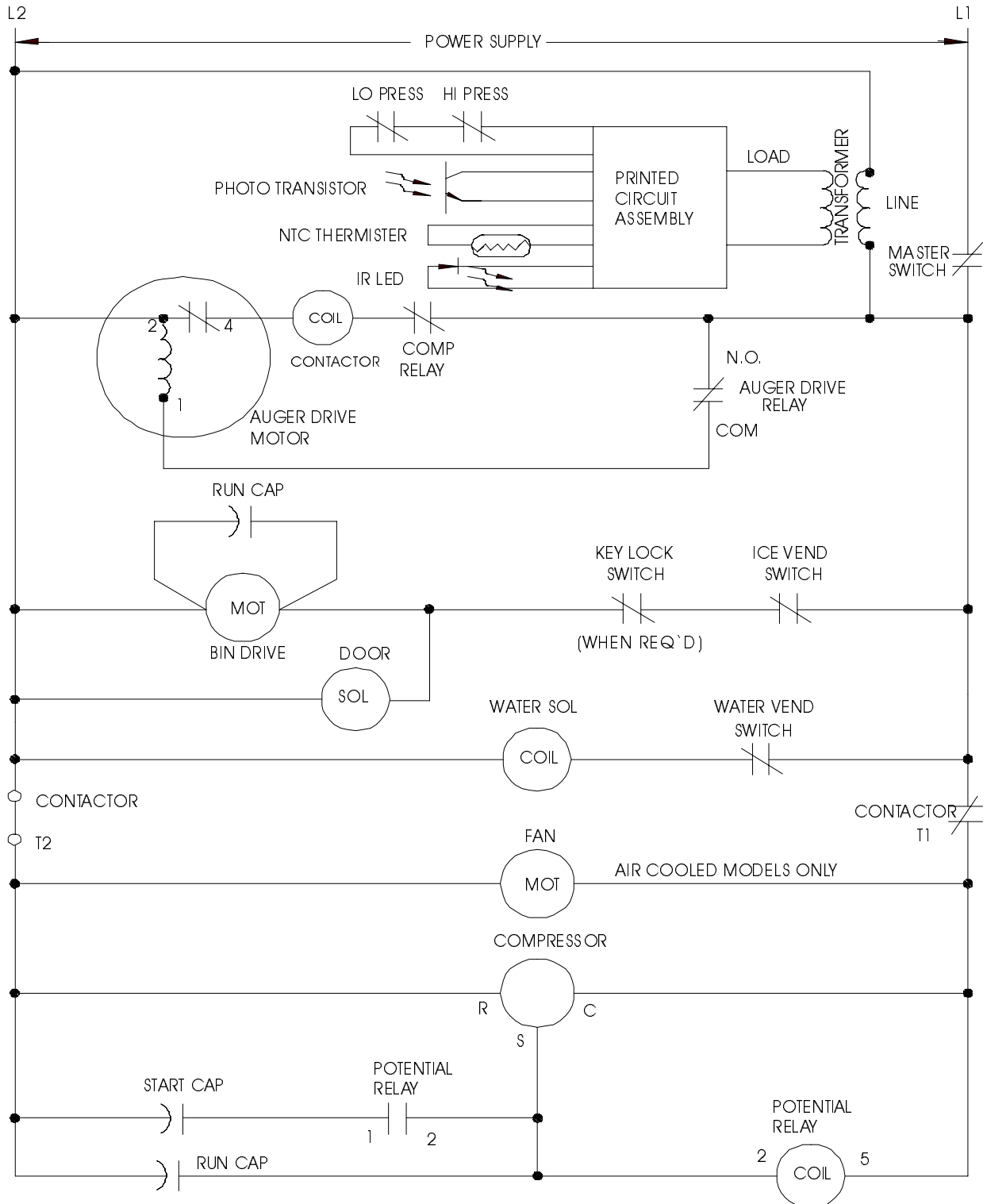
NDE750 SERVICE PARTS

COMPONENT LAYOUT DIAGRAM - units without Portion Control



17-2534-01

NDE750 SERVICE PARTS SCHEMATIC DIAGRAM - Units without Portion Control



USE COPPER CONDUCTORS ONLY

THIS UNIT MUST BE GROUNDED

**ALL CONTROLS SHOWN IN NORMAL ICE MAKING MODE
WITH ALL DISPENSING SYSTEMS IN OPERATION.**