

# NM650R SERVICE PARTS

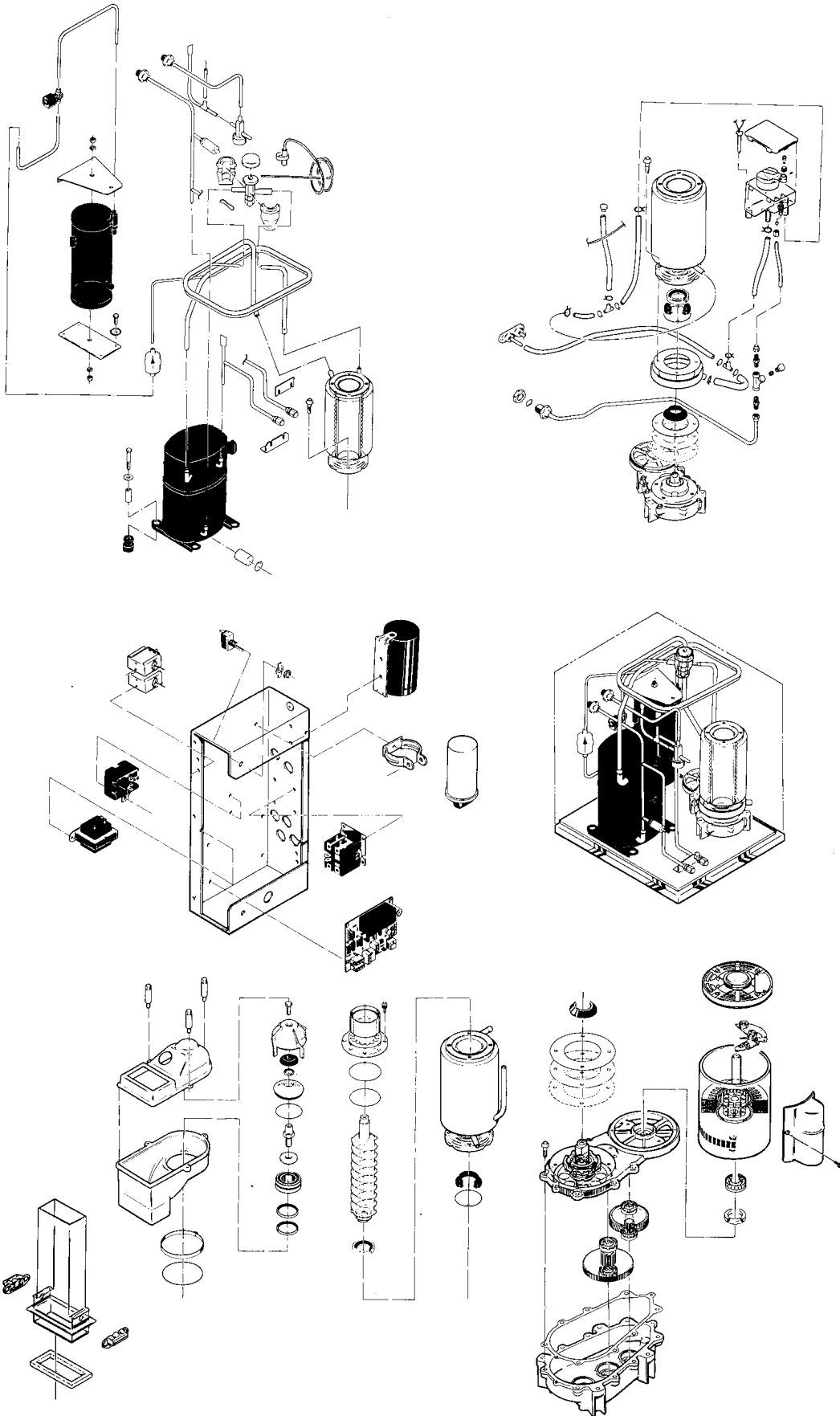
This parts list contains the service parts and wiring diagrams for this model. Check the model number in question to be sure that it is applicable to this parts list.

Caution: This model ice maker has been manufactured in two voltages, for electrical components, check to be certain that the part is the correct voltage for the machine.

## TABLE OF CONTENTS

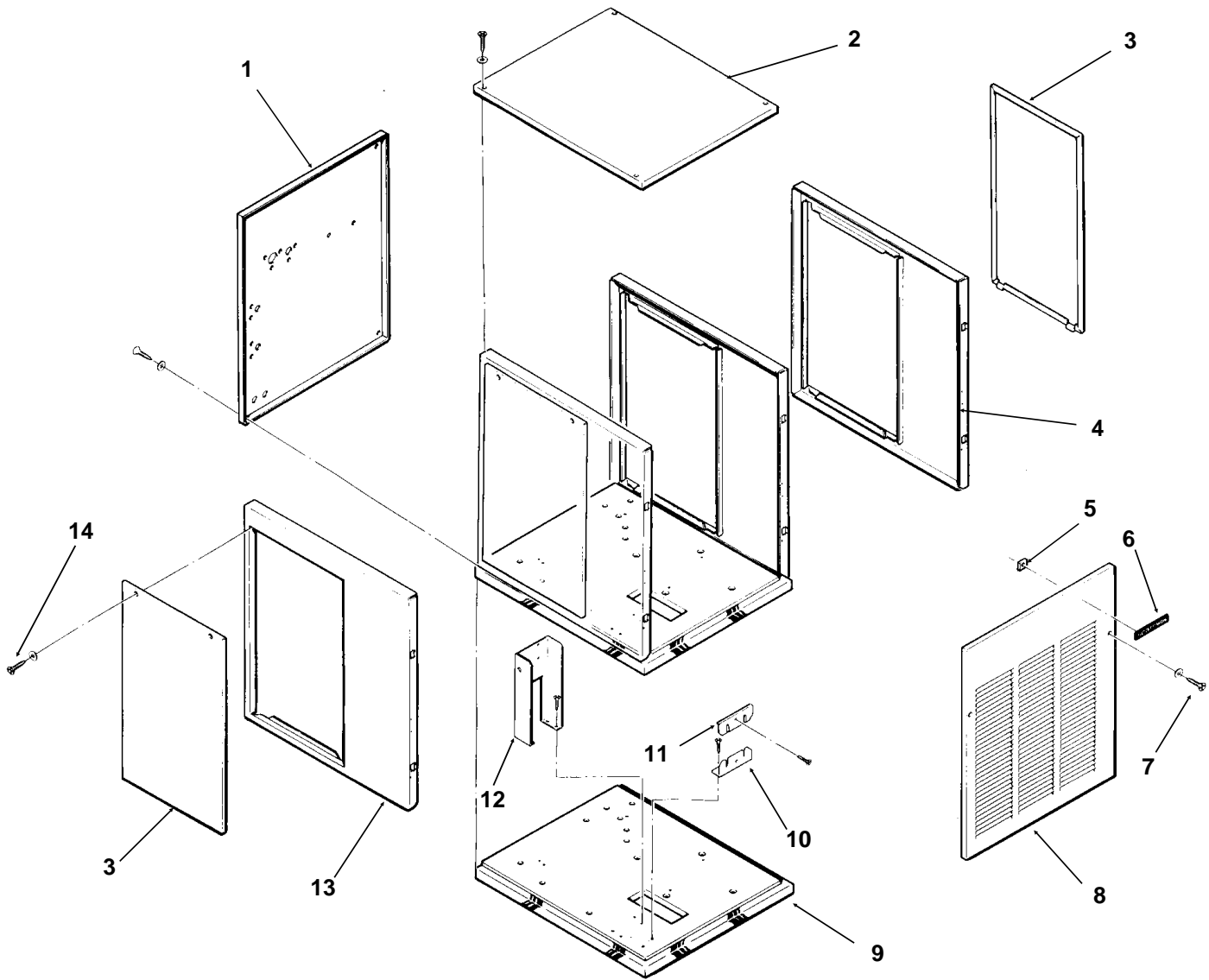
Cabinet .....	2
Refrigeration .....	3
Water .....	4
Gearmotor.....	5
Evaporator .....	6
Control Box.....	7
Remote Condenser .....	8
Wiring Diagrams.....	9

# NM650R SERVICE PARTS



# NM650R SERVICE PARTS

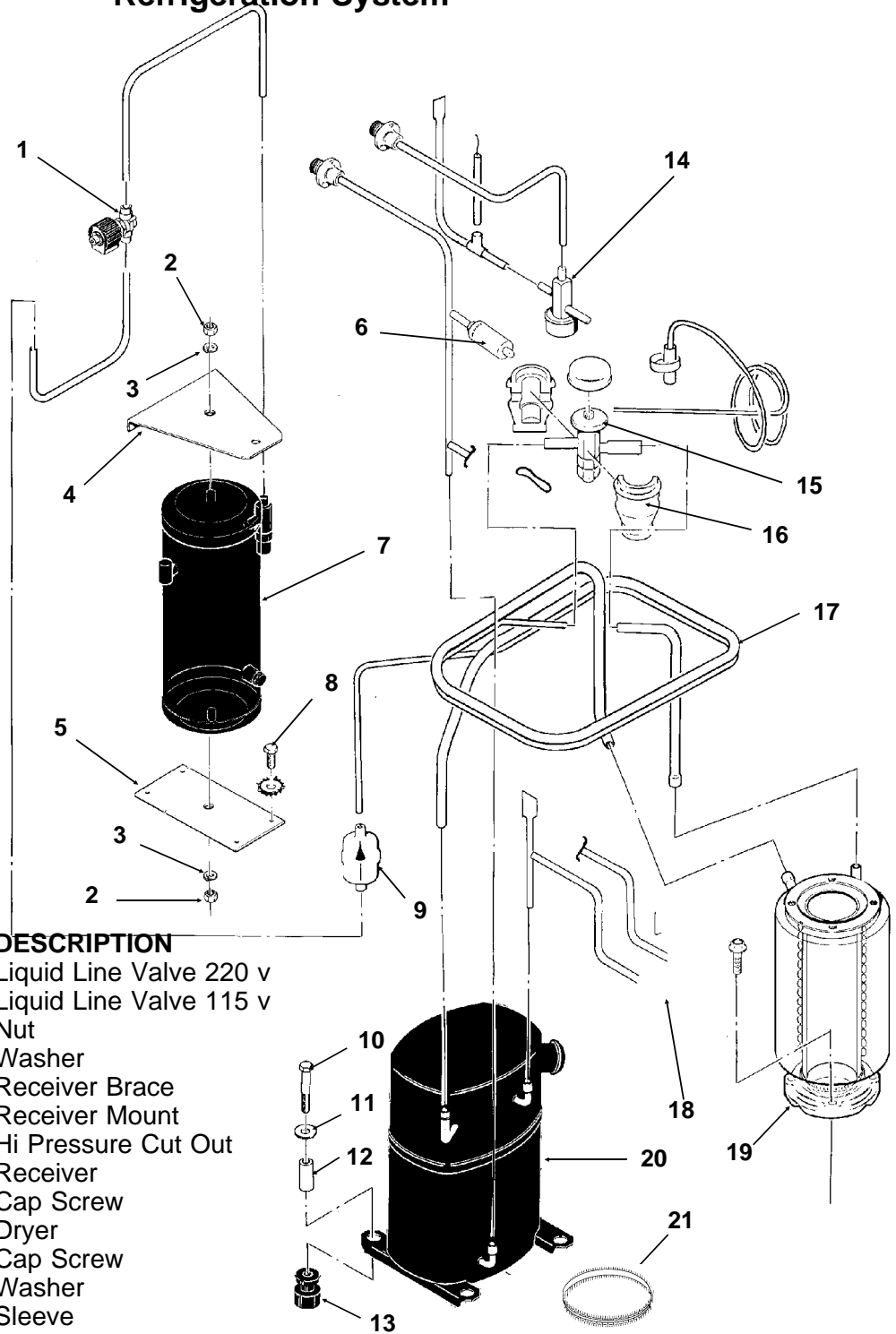
## Cabinet Assembly



ITEM NUMBER	PART NUMBER	DESCRIPTION	ITEM NUMBER	PART NUMBER	DESCRIPTION
1	A33252-001	Back Panel, Painted	8	A33255-001	Front Panel, Painted
2	A33256-001	Top Panel, Painted		A33255-002	Front Panel, S.S.
	A33256-002	Top Panel, S.S.	9	A34042-001	Base Assembly
3	A34038-001	Service Panel, Painted	10	A31462-001	Tube Bracket
	A34038-002	Service Panel, S.S.	11	A31461-001	Tube Bracket
4	A33292-001	Right Side Panel, Painted	12	A34039-001	Control Box Support
	A33292-002	Right Side Panel, S.S.	13	A32435-001	Left Side Panel, Painted
5	03-0271-00	Speed Clip		A32435-002	Left Side Panel, S.S.
6	15-0711-01	Emblem	14	03-1404-12	Screw
7	03-1419-08	Screw			

# NM650R SERVICE PARTS

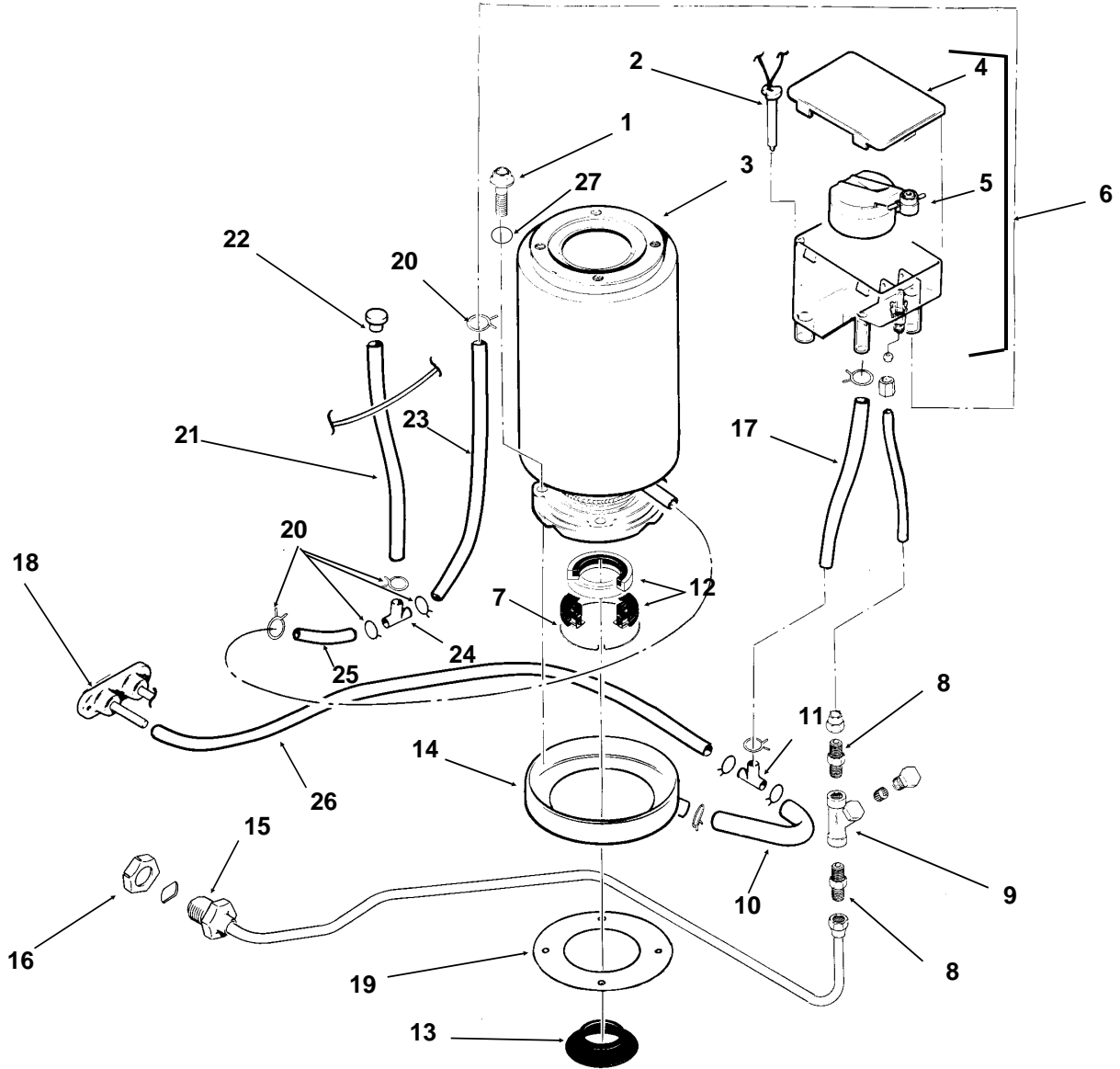
## Refrigeration System



ITEM NUMBER	PART NUMBER	DESCRIPTION	
1	12-2257-01	Liquid Line Valve 220 v	
	12-2257-02	Liquid Line Valve 115 v	
2	03-1406-13	Nut	
3	03-1410-06	Washer	
4	A32968-001	Receiver Brace	
5	A31801-002	Receiver Mount	
6	11-0446-23	Hi Pressure Cut Out	
7	16-0761-01	Receiver	
8	03-1645-01	Cap Screw	
9	02-3319-02	Dryer	
10	03-1405-20	Cap Screw	
11	03-1407-07	Washer	
12	18-2200-27	Sleeve	
13	18-2200-28	Rubber Grommet	
14	11-0422-22	Head Pressure Valve	
15	16-0780-21	Thermo Expansion Valve	
16	A32961-020	Insulation Kit for TXV	
17	A34536-001	Suction Line	
18	16-0560-00	Core	
	16-0563-00	Nut	
	19	A33194-020	Evaporator
	20	18-6100-02	Compressor 208-230 v
		18-6100-51	Overload 208-230 v
		18-6100-01	Compressor 115/60/1
		18-6100-50	Overload 115/60/1
	21	12-1868-03	Crankcase Htr 208-230 v
		12-1868-04	Crankcase Htr 115 v

# NM650R SERVICE PARTS

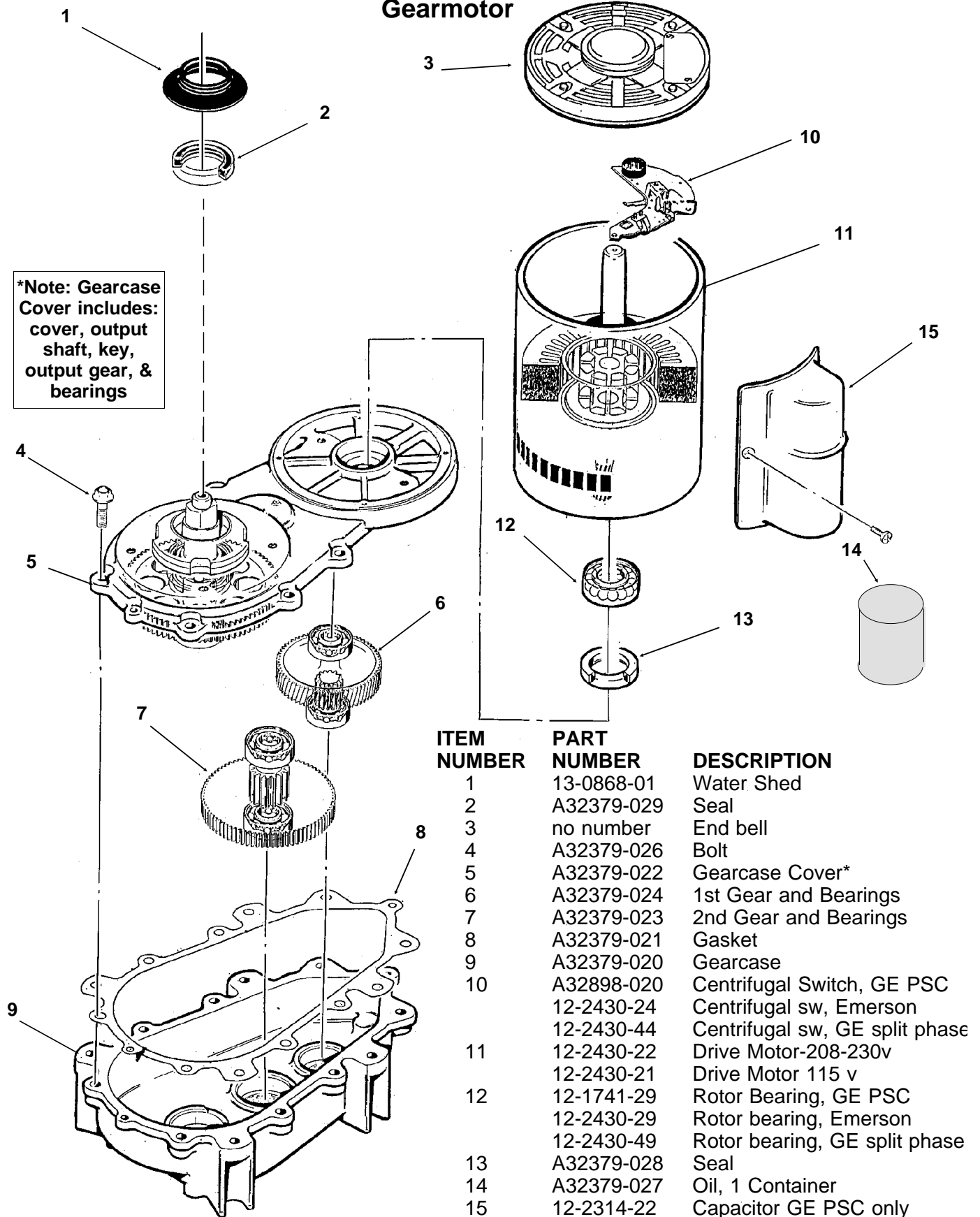
## Water System, Water Seal



ITEM NUMBER	PART NUMBER	DESCRIPTION	ITEM NUMBER	PART NUMBER	DESCRIPTION
1	03-1420-03	Cap Screw	14	A32050-001	Drip Pan
2	A33101-021	Water Level Sensor	15	A27318-001	Water Inlet Fitting
3	A33194-020	Evaporator	16	03-1394-01	Pal Nut
4	02-2936-01	Res. Cover	17	13-0079-03	Res. Overflow, 8" req.
5	A32907-001	Float Assembly with pin, housing seal, rubber seal, insert & float	18	A34045-001	Drain Casting
6	A32929-020	Reservoir Assembly	19	13-0704-00	Gasket
7	A32777-001	Retaining Ring for Seal	20	02-2814-08	Clamps
8	16-0791-01	Half Union	21	13-0674-06	Evap. Drain, 14" req.
9	16-0162-00	Strainer	22	A33205-001	Plug
10	13-0079-03	Tube, 3.2" req.	23	13-0674-06	Evap. Inlet Tube, 13" req.
11	16-0670-02	Tee	24	16-0670-01	Tee
12	02-0929-23	Water Seal	25	A33203-001	Tube, Preformed
13	13-0868-01	Water Shed	26	13-0079-03	Drain Tube, 24" req.
			27.	03-1417-13	Lockwasher

# NM650R SERVICE PARTS

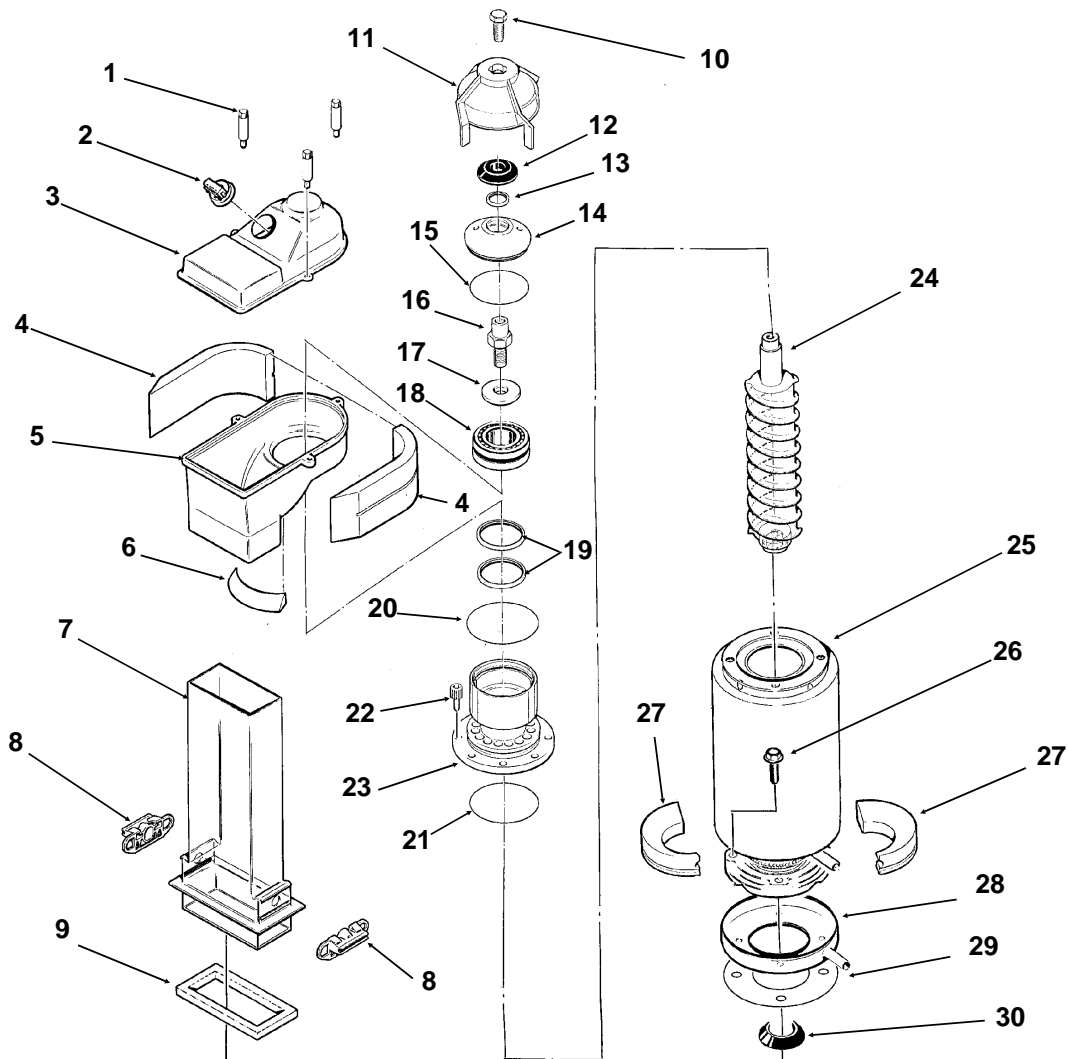
## Gearmotor



ITEM NUMBER	PART NUMBER	DESCRIPTION
1	13-0868-01	Water Shed
2	A32379-029	Seal
3	no number	End bell
4	A32379-026	Bolt
5	A32379-022	Gearcase Cover*
6	A32379-024	1st Gear and Bearings
7	A32379-023	2nd Gear and Bearings
8	A32379-021	Gasket
9	A32379-020	Gearcase
10	A32898-020	Centrifugal Switch, GE PSC
	12-2430-24	Centrifugal sw, Emerson
	12-2430-44	Centrifugal sw, GE split phase
11	12-2430-22	Drive Motor-208-230v
	12-2430-21	Drive Motor 115 v
12	12-1741-29	Rotor Bearing, GE PSC
	12-2430-29	Rotor bearing, Emerson
	12-2430-49	Rotor bearing, GE split phase
13	A32379-028	Seal
14	A32379-027	Oil, 1 Container
15	12-2314-22	Capacitor GE PSC only
16	A33220-022	Complete Assy 208-230v
	A33220-021	Complete Assembly 115 v
	A33220-030	Gears, oil & cases. No motor.

# NM650R SERVICE PARTS

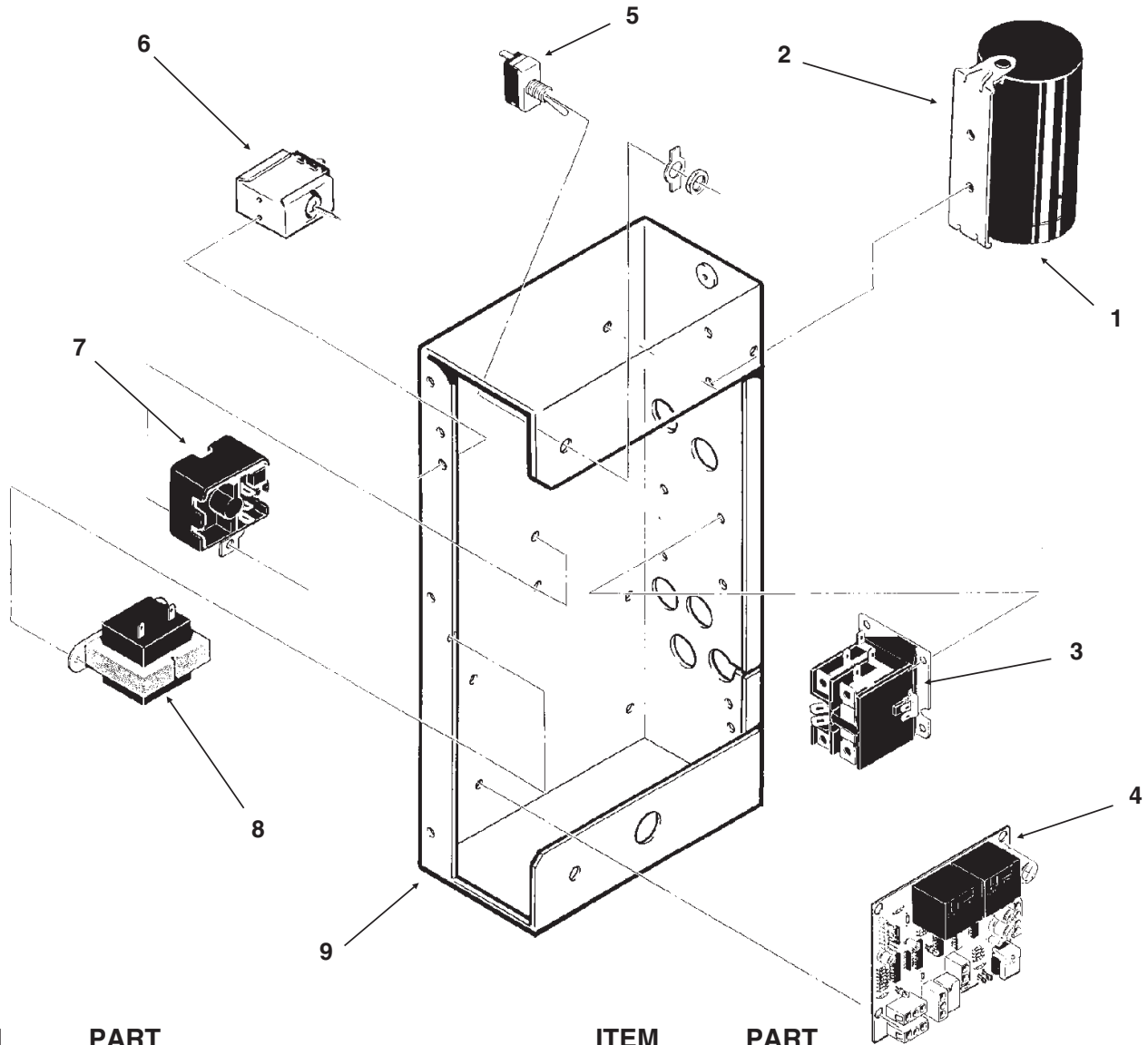
## Evaporator, Bin Controls



ITEM NUMBER	PART NUMBER	DESCRIPTION			
1.	02-2933-01	Hex Stud	16.	08-0660-01	Auger Stud
2.	A32891-020	Housing & Switch Assy	17.		part of item 16 Thrust Washer
3.	02-2930-01	Ice Chute Cover	18.	A34559-020	Bearing
4.	A32963-001	Insulation Top (half)	19.	02-2977-01	Lip Seal
5.	02-2926-01	Ice Chute Body	20.	13-0617-52	O-Ring
6.	A33102-001	Insulation Collar Inside	21.	13-0617-45	O-Ring
	A33210-001	Rubber Band	22.	03-1544-08	Soc. Head Screw
7.	02-2929-02	Ice Chute Lower	23.	A32900-020	Breaker
8.	A37708-021	Bin Controls Assy.			(includes 13,14,15, 18, 19, 21)
	(set of 2)		24.	A38071-021	Auger
9.	A32930-001	Chute Gasket	25.	A33194-020	Evaporator
10.	03-1405-52	Hex Cap Screw	26.	03-1405-41	Cap Screw
11.	02-3001-01	Ice Sweep	27.	A32962-001	Insulation Bot. (half)
12.	13-0871-01	Water Shed		A32962-002	Insulation half
13.	02-2978-01	Lip Seal	28.	A32050-001	Drip Pan
14.	02-3128-20	Breaker Cover	29.	13-0704-00	Drip Pan Gasket
15.	13-0617-54	O-Ring	30.	13-0868-01	Water Shed
			Not Illustrated:		
			31.	A32905-001	Clamp

# NM650R SERVICE PARTS

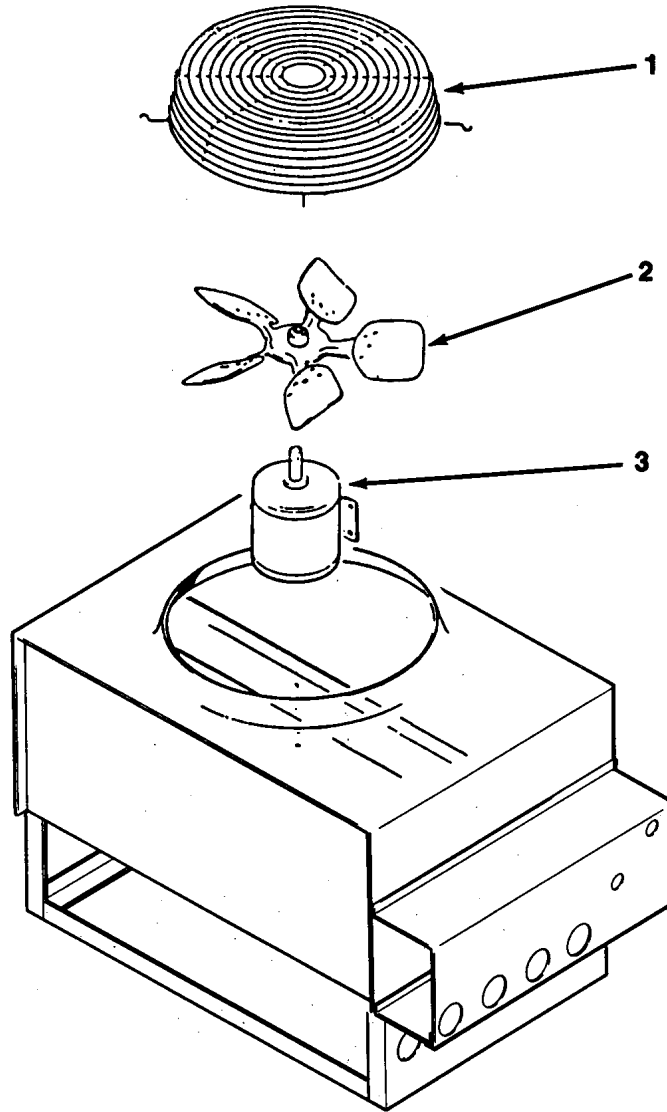
## Control Box



ITEM NUMBER	PART NUMBER	DESCRIPTION	ITEM NUMBER	PART NUMBER	DESCRIPTION
1	18-1901-42	Start Cap 115v	7	18-1903-44	Potential Relay 115v
	18-2200-38	Start Capacitor Cap.	8	12-2285-21	Transformer 115v
2.	18-2200-39	Start Capacitor Bracket	9	no number	Control Box Assy
	03-1638-04	Screw	NOT ILLUSTRATED		
	03-1417-15	Lockwasher	10.	12-2337-02	3 Pin Plug Assy (Safety Circuit to Circuit Board)
3.	12-2469-03	Contactor 115 v	11.	12-2340-01	4 Pin Plug Assy (Transformer to Circuit Board)
4	A37750-021	Circuit Board	12	A34055-001	Control Box Cover
5.	12-0426-01	Master Switch			
6.	11-0420-23	Pump Down Control			



# NM650R SERVICE PARTS REMOTE CONDENSER



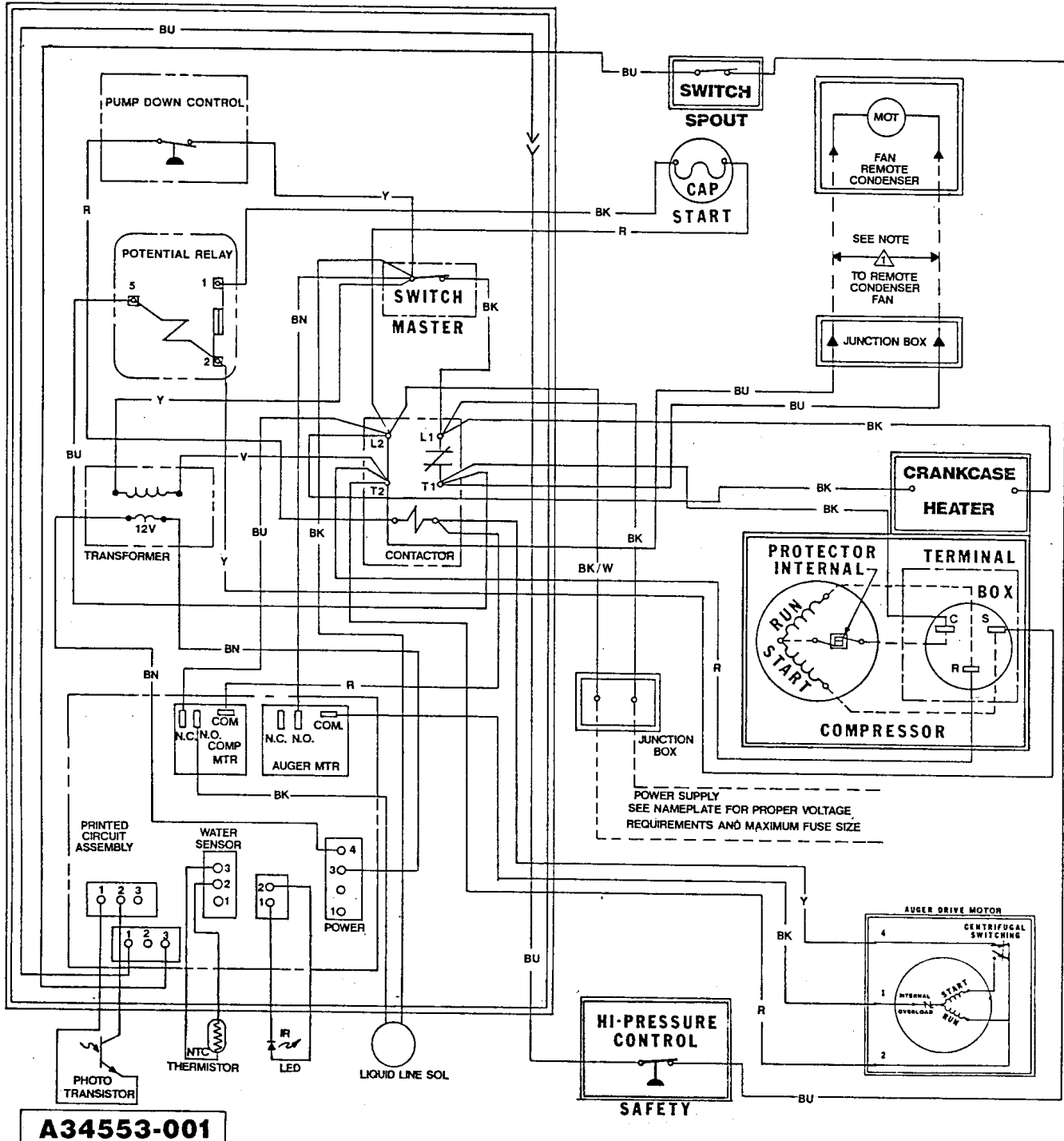
## RC1051-32A or RC1052-32A

ITEM NUMBER	PART NUMBER	DESCRIPTION
1.	02-2628-01	Fan Guard
2.	18-6304-01	Fan Blade
3.	18-5301-01	Fan Motor

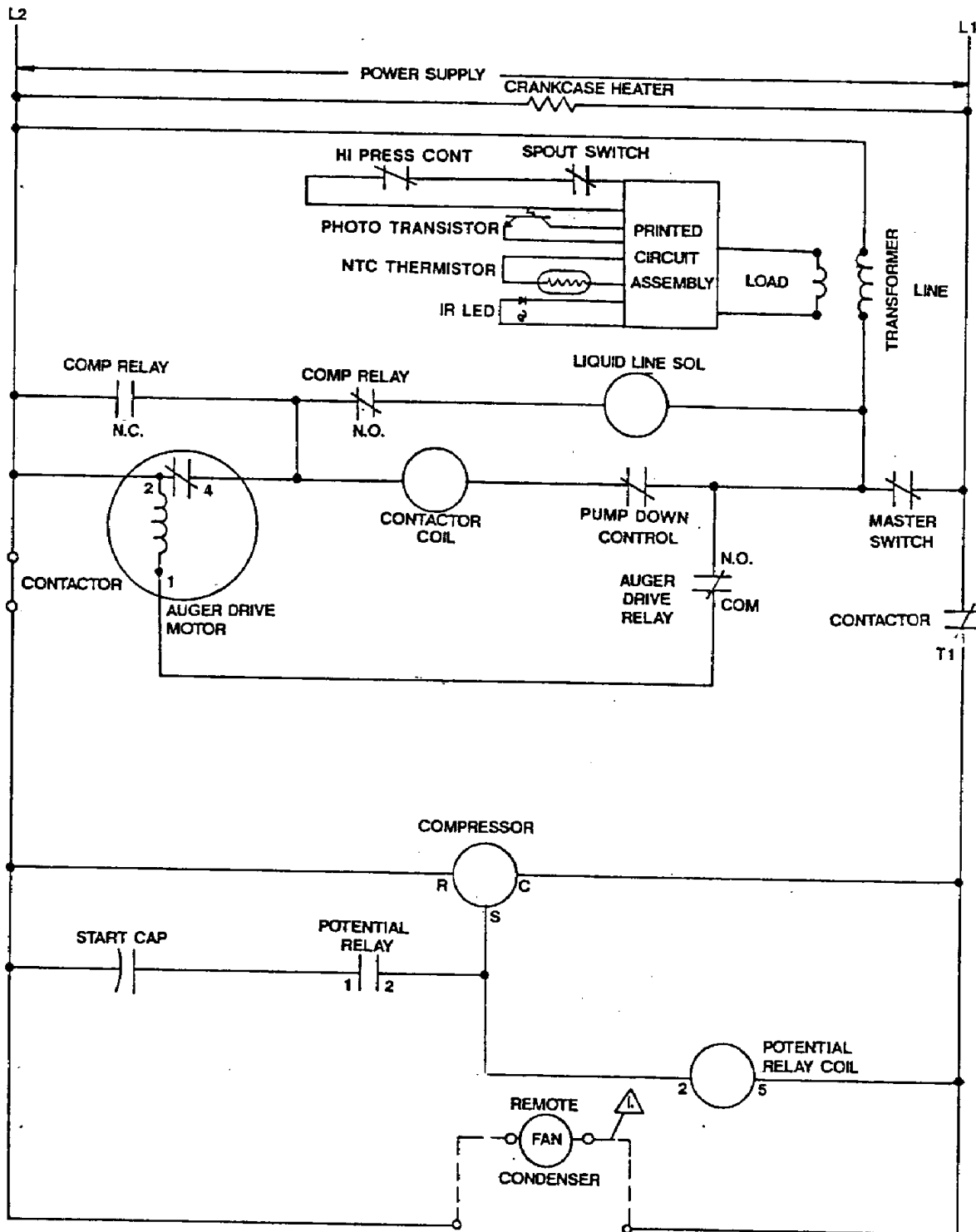
## RC551-1

ITEM NUMBER	PART NUMBER	DESCRIPTION
1.	02-2618-01	Fan Guard
2.	18-3733-01	Fan Blade
3.	18-6305-01	Fan Motor

# NM650R SERVICE PARTS Component Layout Diagram



# NM650R SERVICE PARTS Schematic Diagram



**USE COPPER CONDUCTORS ONLY THIS UNIT MUST BE GROUNDED**

All Controls Shown in Normal Ice Making Mode.

Note: Dashed lines indicate field wiring which must be installed in accordance with the National Electric Code Using a Minimum of 14 ga. awg. wire.