

RS160 and RS220 SERVICE PARTS

This parts list contains the parts available for the RS160 and the RS220 ice and soda dispensers. These two models share many components, but not all.

Check the model number, and refer to the correct column list.

Options to the basic model of color, a lighted sign, or valve quantity & brand add to the details that may alter a part number.

Check very carefully that the correct part is ordered.

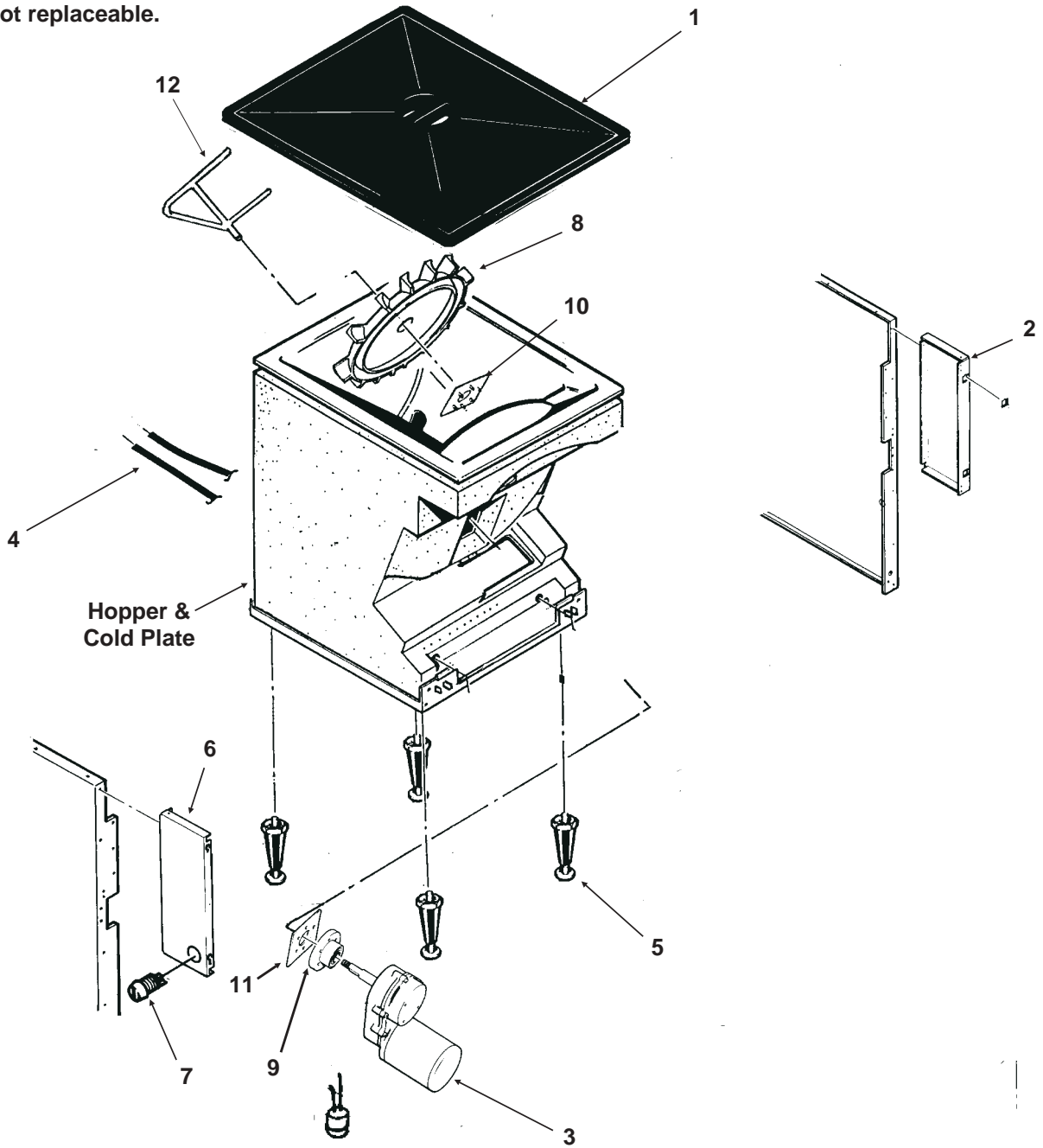
TABLE OF CONTENTS

Cabinet	2
Cabinet	3
Cabinet Front	4
Cabinet Front	5
Beverage Valves	6
Control Box	7
ice Door And Solenoid Assembly	8
Schematic Diagram	9
Component Layout Diagram	10
Schematic Diagram For Dole Fast Flow Valves	11
Component Layout Diagram For Dole Fast Flow Valves	12

RS160 and RS220 SERVICE PARTS

Cabinet

Note: The hopper - cold plate assembly and/or the cabinet are not replaceable.



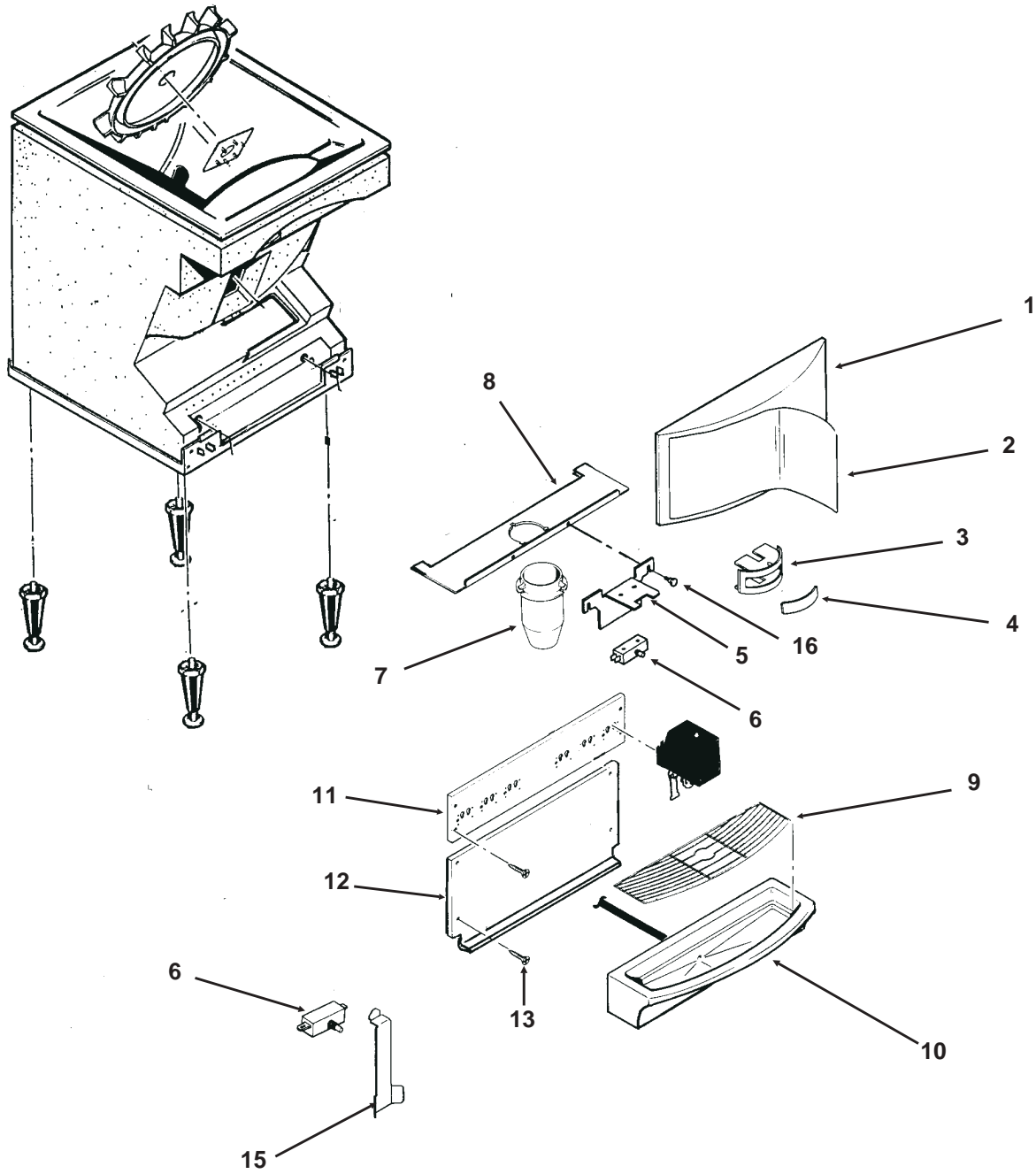
RS160 and RS220 SERVICE PARTS

Cabinet

ITEM NUMBER	RS160 PART NUMBER	RS220 PART NUMBER	DESCRIPTION
1	A36843-002	A36843-004	Black lid
	A36843-001	A36843-003	Gray lid
2	A36844-003	A36844-003	Side panel extension, painted
	A35844-004	A36844-004	Side panel extension, stainless steel
3	12-2369-01	12-2369-01	Gearmotor Assembly
4	A36847-001	A36847-001	Drain hose
5	02-3124-01	02-3124-01	Leg kit
6	A36844-001	A36844-001	Side panel extension, painted
	A36844-002	A36844-002	Side panel extension, stainless steel
7	12-2391-01	12-2391-01	Switch & Lock & Key
8	02-3040-01	02-3040-01	Rotor
9	A34760-001	A34760-001	Hub Assembly (includes bearing 02-3075-01 and seal 02-3065-01)
10	A34810-001	A34810-001	Mounting plate, hub
11	A34817-001	A34817-001	Gearmotor plate
12	02-3925-01	A36846-002	Sweep Arm

RS160 and RS220 SERVICE PARTS

CABINET FRONT



RS160 and RS220 SERVICE PARTS

CABINET FRONT

ITEM NUMBER	RS160 PART NUMBER	RS220 PART NUMBER	DESCRIPTION
1	A36848-004	A36848-008	Upper front frame, black, for lever
	A36848-003	A36848-007	Upper front frame, gray, for lever
	A36848-002	A36848-006	Upper front frame, black, for pushbutton
	A36848-001	A36848-005	Upper front frame, gray, for pushbutton
	A36849-001	A36849-001	Screws for frame
2	15-0752-01	15-0754-01	Merch. sign for lighted panel, coke
	15-0752-02	15-0754-02	Merch. sign for lighted panel, pepsi
	15-0752-03	15-0754-03	Merch. sign for lighted panel, generic RS
3	02-3071-01	02-3071-01	Bezel for Ice Switch Button
4	02-3072-01	02-3072-01	Button
	02-3096-02	02-3096-02	Return spring for push button
5	A36850-001	A36850-001	Switch bracket for push button models
6	12-1570-00	12-1570-00	Microswitch - for push button
	12-2731-01	12-2731-01	Microswitch - for lever
7	02-3068-01	02-3068-01	Ice Chute
	02-3068-02	02-3068-02	Ice Chute when using Dole valves
8	A34797-001	A34798-001	Panel for ice chute
9	A36852-001	A36852-002	Grill/cup rest
10	A36851-001	A36851-003	Black Sink
	A36851-002	A36851-004	Gray sink
11	A34794-001	A34795-001	Valve panel - lever model w/6 non-Booth valves
		A34795-005	Valve panel - lever model w/8 non-Booth valves
	A34794-002	A34795-002	Valve panel - push btn model w/6 non-Booth valves
		A34795-006	Valve panel - push btn model w/8 non-Booth valves
	A34794-003	A34795-003	Valve panel - lever model with 6 Booth valves
		A34795-007	Valve panel - lever model with 8 Booth valves
	A34794-004	A34795-004	Valve panel - push button model w/6 Booth valves
		A34795-008	Valve panel - push button model w/8 Booth valves
12	A36854-001	A36854-003	Splash panel for post mix models
	A36854-002	A36854-004	Splash panel for pre mix models
13	03-1419-22	03-1419-22	Screw
14	12-2372-01	12-2372-01	Boot for microswitch
15	A34806-001	A34806-001	Lever "Push for Ice" lever models only
16	03-0727-06	03-0727-06	Thumbscrew

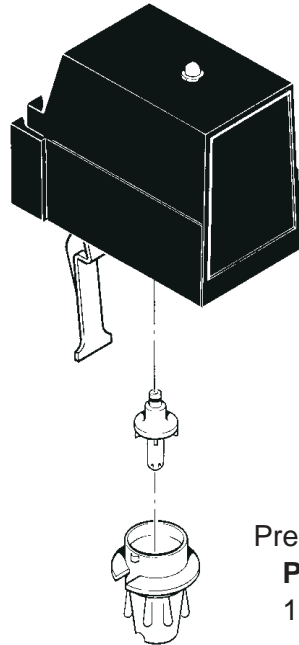
Not Shown:

17	A36886-001	A36886-002	Access cover for optional cuber adapter kits
----	------------	------------	--



RS160 and RS220 SERVICE PARTS

BEVERAGE VALVES



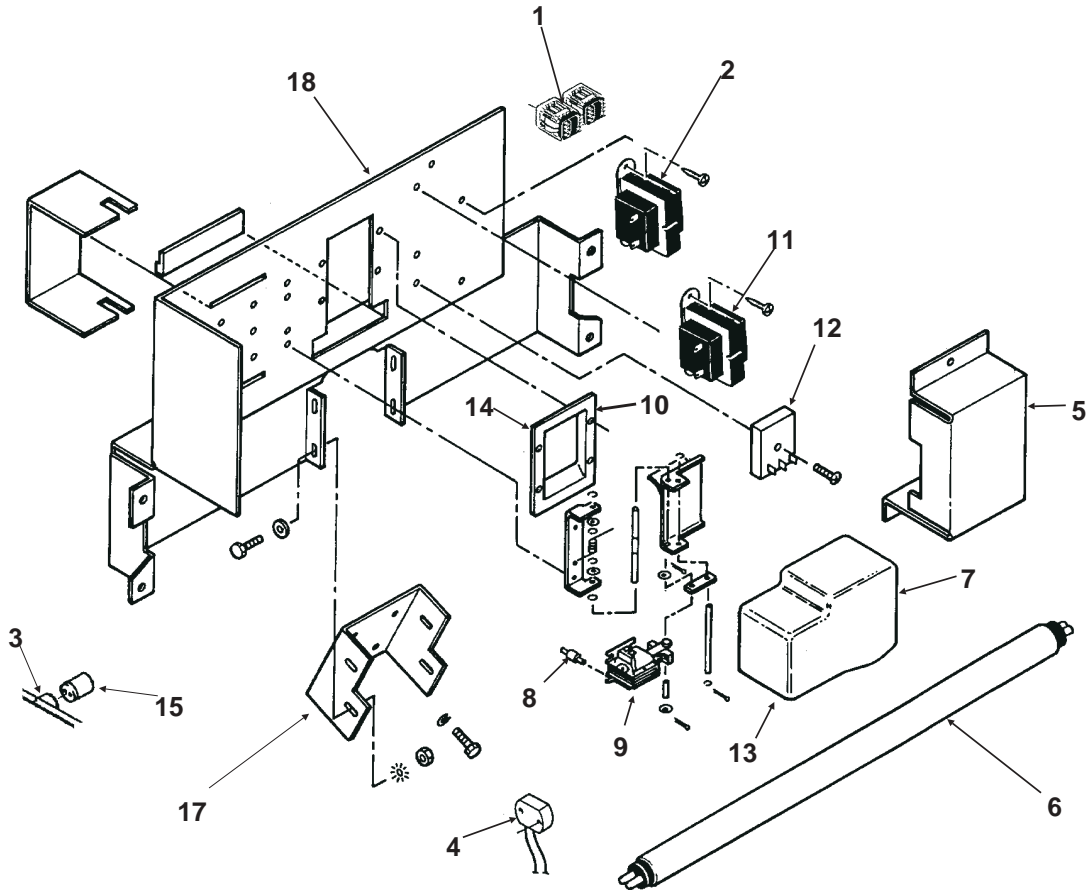
Pre Mix Valves:
Part Number
 11-0468-01

Description
 Pre-mix valve (Capre). Post Mix listed below

Post Mix Valve Part Number	Brand	Standard Flow	Fast Flow	Soda Control	Water Disp	Lever	Push Button
11-0462-01	Dole	x				x	
11-0452-01	Dole	x					x
11-0453-01	Dole		x			x	
11-0455-01	Dole		x				x
11-0451-01	Dole	x			x		
11-0454-01	Dole		x		x		
A33171-001	Cornelius	x				x	
11-0457-01	Cornelius		x			x	
11-0456-01	Cornelius	x					x
11-0459-01	Cornelius		x				x
A33170-001	Cornelius	x			x		
11-0458-01	Cornelius		x		x		
11-0522-01	Cornelius		x		x		x
A34106-001	Booth	x				x	
11-0460-01	Booth		x			x	
A34107-001	Booth	x			x		
11-0461-01	Booth		x		x		
11-0469-01	McCann	x		Metering stem		x	
11-0469-03	McCann		x	Mechanical		x	
11-0469-05	McCann	x		Flow washer		x	
11-0469-09	McCann	x		Metering stem			x
11-0469-11	McCann		x	Mechanical			x
11-0469-15	McCann		x	Mechanical		x	
11-0511-04	Lancer		x		x		x
11-0511-03	Lancer		x				x
11-0511-02	Lancer		x		x	x	
11-0511-01	Lancer		x			x	

RS160 and RS220 SERVICE PARTS

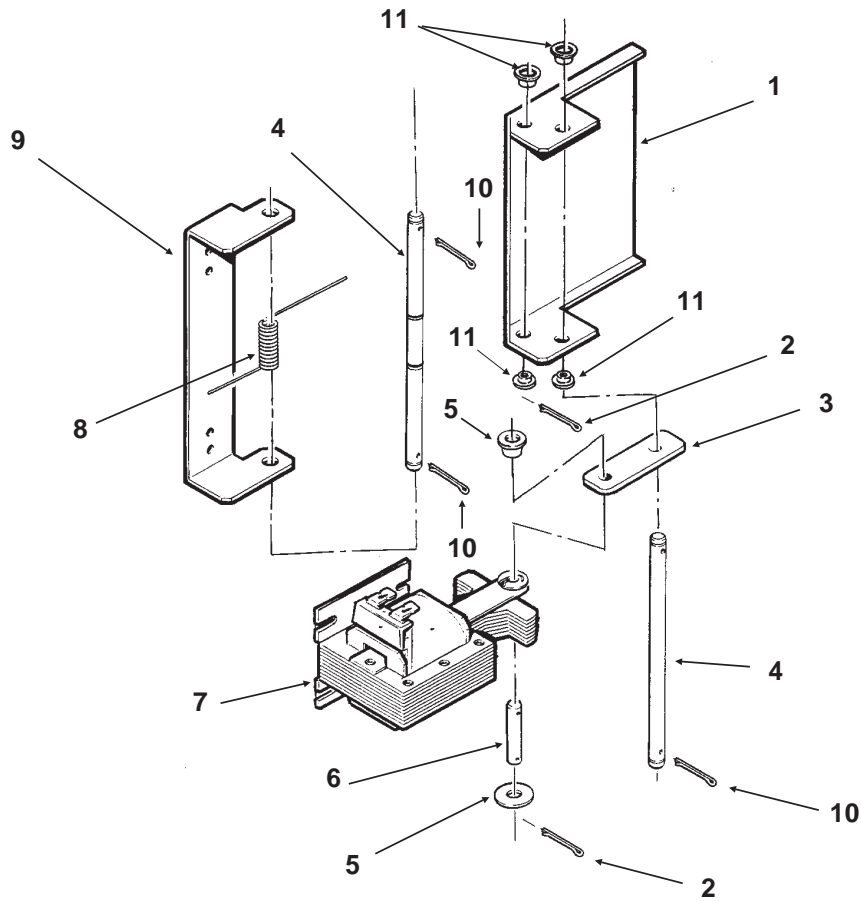
Control Box



ITEM NUMBER	PART NUMBER	DESCRIPTION
1	12-2483-02	Relay
2	12-2390-01	Transformer
3	12-2395-01	Starter Socket
4	12-2385-01	Bulb Holder
5	A36853-001	Control Box Cover for RS160
	A36853-002	Control Box Cover for RS220
6	12-2377-01	IS160 Fluorescent Tube (15 watt -18")
	12-2377-02	IS220 Fluorescent Tube (16 watt - 26")
7	02-3067-01	Cover
8	13-0882-01	Rubber Mounts
9	A34920-001	Solenoid Cover (not shown)
10	13-0595-00	Door Gasket, 5.5"
11	12-2390-01	Transformer
12	12-2371-01	Recycling Timer
13	02-3411-01	Thumb Screw
14	02-3188-20	Spout Adaptor Assy. kit
15	12-2386-01	Starter
16	12-2484-01	Ballast
17	02-3786-01	Gearmotor bracket
18	A37756-001	Motor bracket

RS160 and RS220 SERVICE PARTS

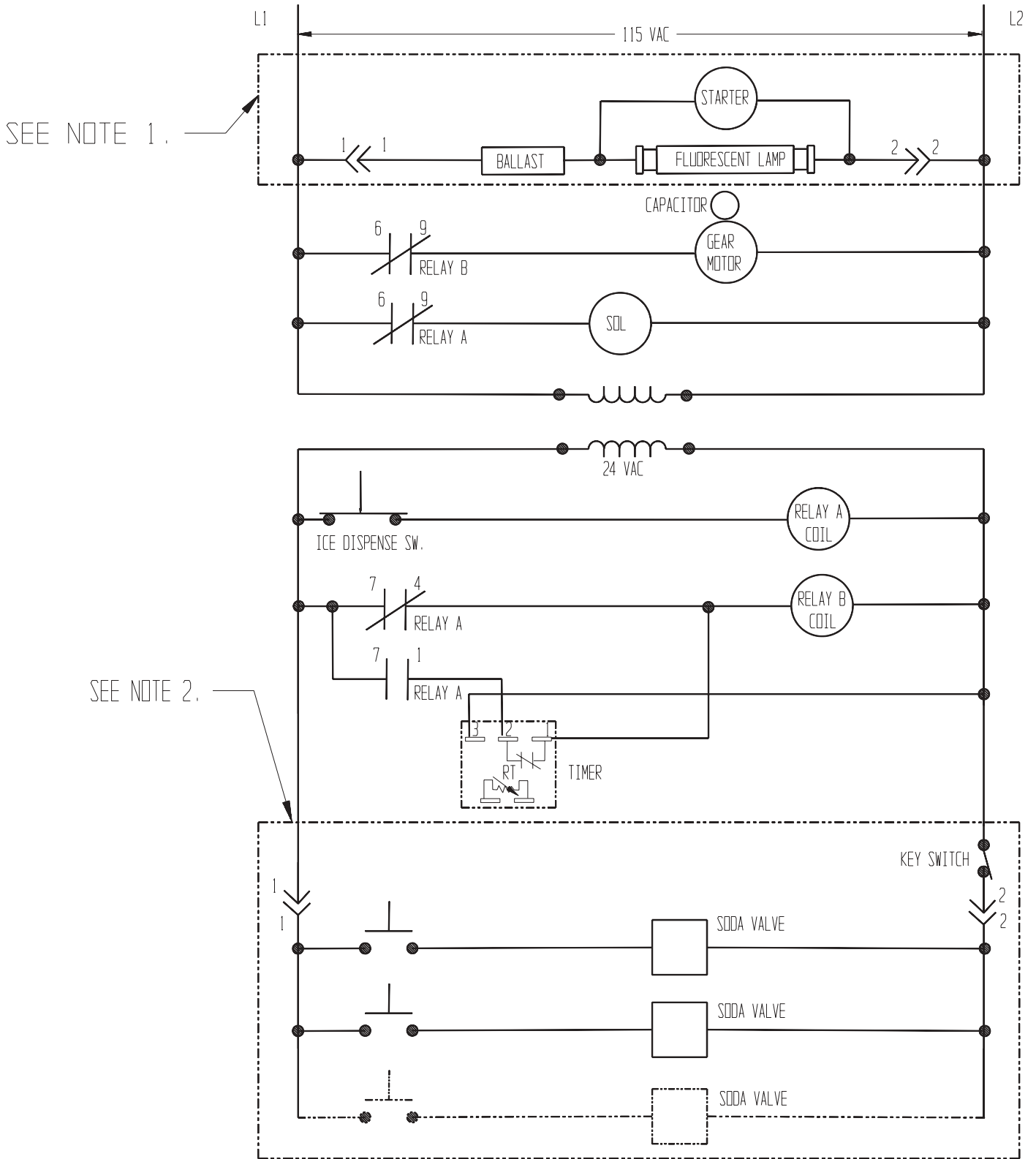
Ice Door And Solenoid Assembly



ITEM NUMBER	PART NUMBER	DESCRIPTION
1	A34801-001	Ice Door
2	03-0396-01	Cotter Pin
3	02-3089-02	Solenoid Link
4	02-3088-01	Long axle
5	03-1407-02	Flat Washer
6	A32685-001	Axle, Linkage
7	A32683-001	Solenoid
8	A32690-001	Door Spring
9	A34802-001	Door Hinge
10	03-0396-08	Cotter Pin
11	02-3187-01	Bushing

RS160 and RS220 SERVICE PARTS

Schematic Diagram



SEE NOTE 1.

SEE NOTE 2.

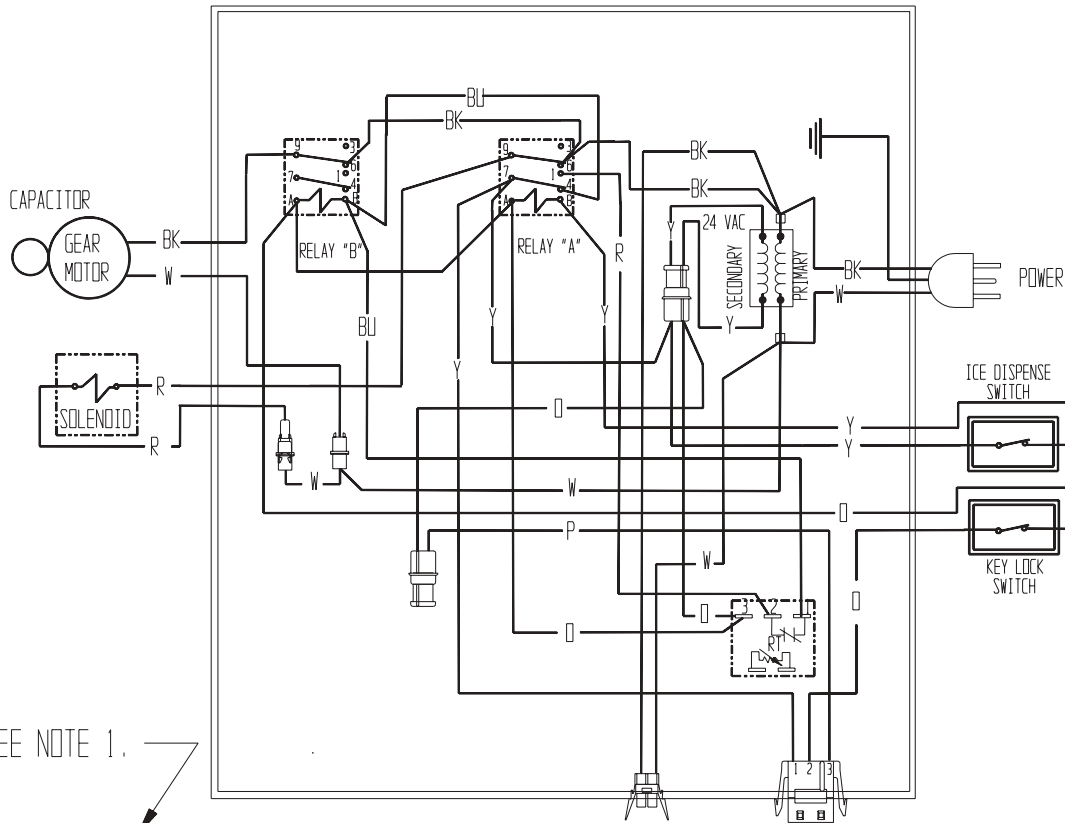
USE COPPER CONDUCTORS ONLY THIS UNIT MUST BE GROUNDED

RS160 and RS220 SERVICE PARTS

Component Layout Diagram

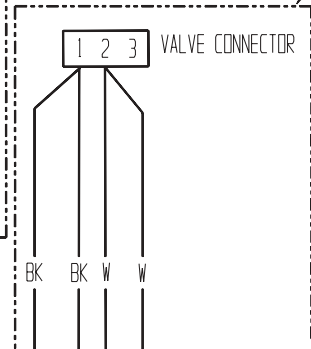
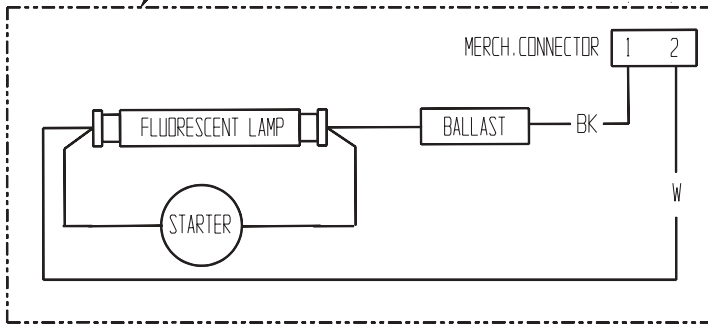
A34905-001

SEE NAMEPLATE FOR PROPER VOLTAGE REQUIREMENTS AND MAXIMUM FUSE SIZE.



SEE NOTE 1.

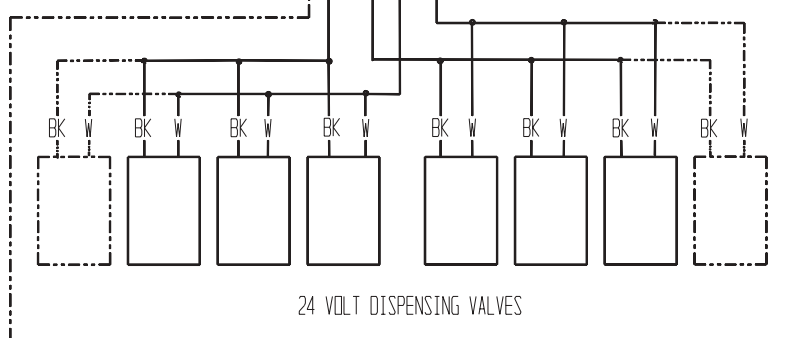
SEE NOTE #2



ALL VALVE SCHEMATICS ARE TYPICAL.

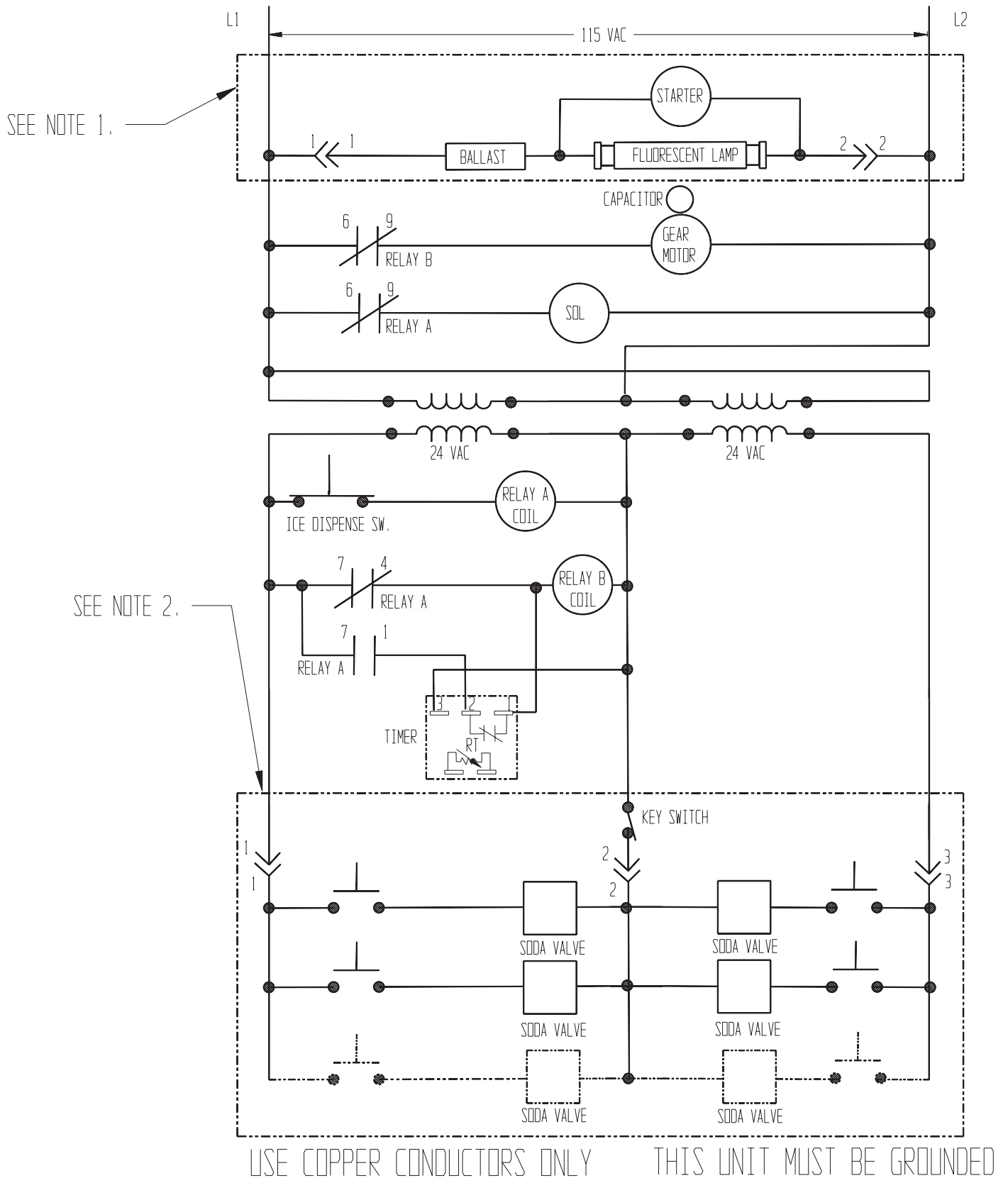
NOTES:

2. APPLICABLE ONLY FOR UNITS WITH SODA DISPENSING VALVES.



RS160 and RS220 SERVICE PARTS

Schematic Diagram for Dole Fast Flow Valves

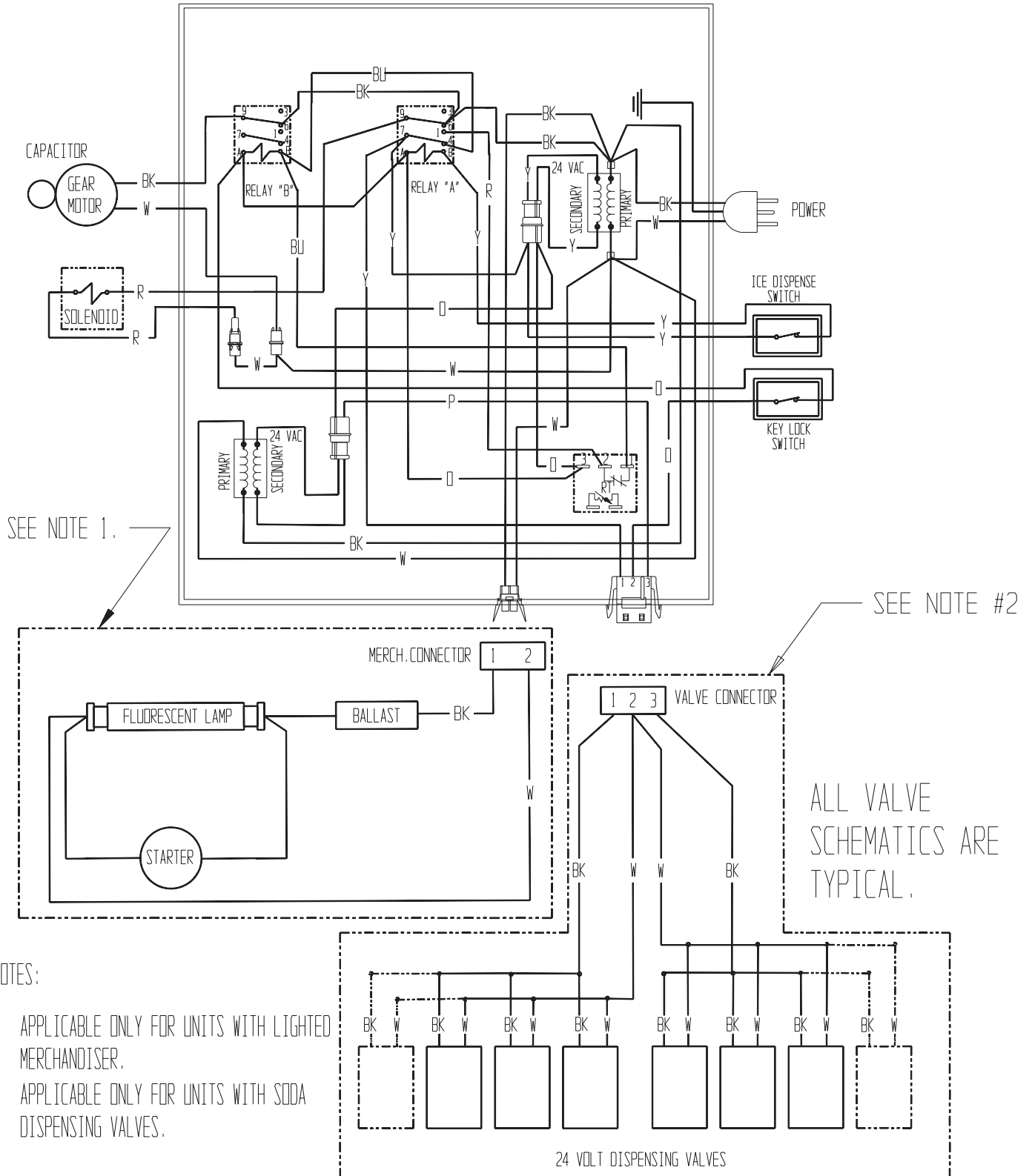


RS160 and RS220 SERVICE PARTS

Component Layout Diagram For Dole Fast Flow Valves

A34906-001

SEE NAMEPLATE FOR PROPER VOLTAGE REQUIREMENTS AND MAXIMUM FUSE SIZE.



NOTES:

1. APPLICABLE ONLY FOR UNITS WITH LIGHTED MERCHANDISER.
2. APPLICABLE ONLY FOR UNITS WITH SODA DISPENSING VALVES.

RS160 and RS220 SERVICE PARTS