

SCCG50 & SCCP50 Service Parts

This is the illustrated parts list for the SCCG50M and the SCCP50M Residential Ice Machines

The condenser fan motor, fan blade, fan motor brackets and condenser shroud changed in August 2009. The model number also changed to an A series: SCCG50MA-1. and SCCP50MA-1

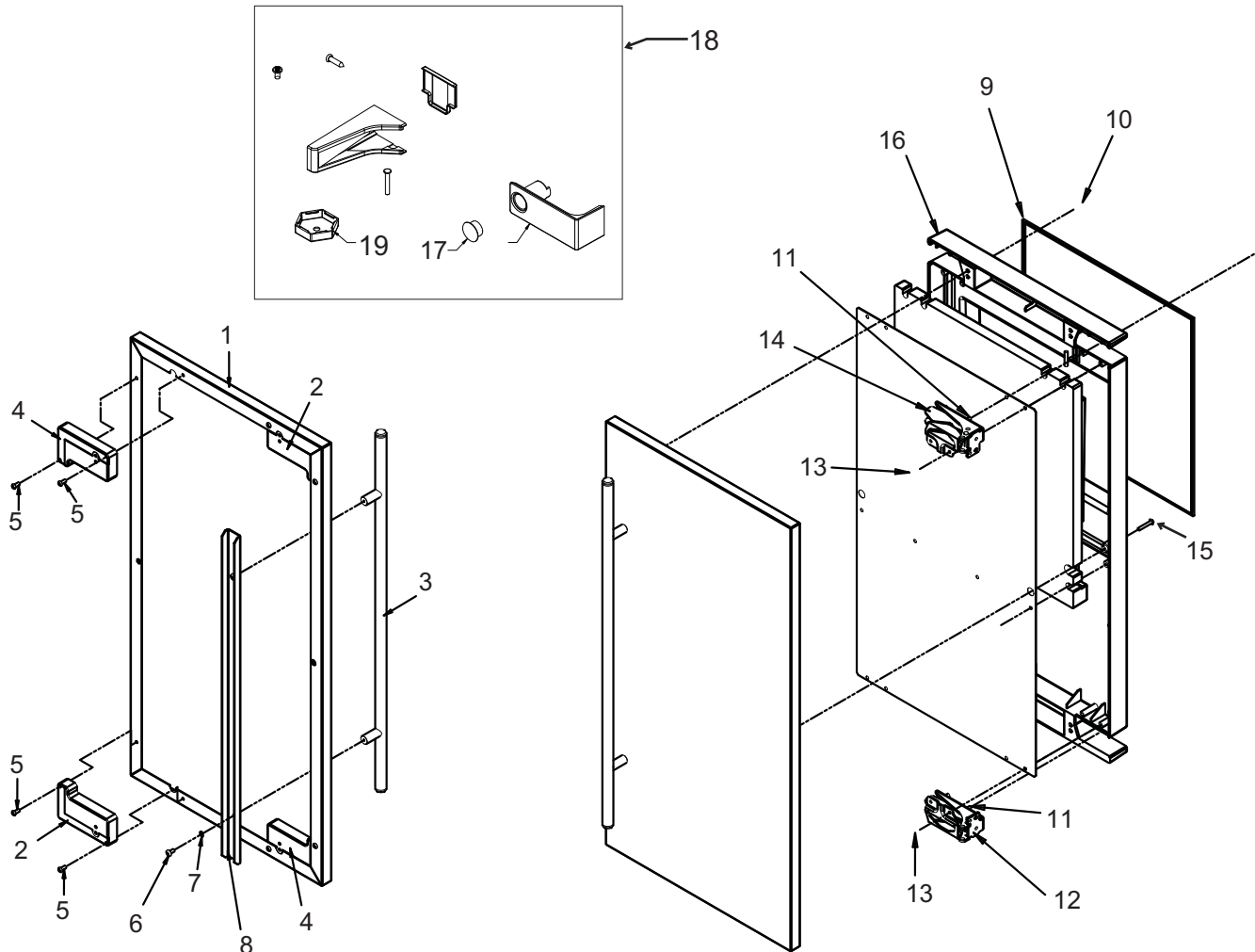
When ordering a service part, always refer to the complete model number of the equipment being repaired to be sure of obtaining the correct part. Many times there are slight differences between models, and having the complete model number will aide in selecting the correct part.

Table of Contents

Door	Page 2
Cabinet	Page 3
Reservoir and Spray Pump	Page 4
Refrigeration	Page 5
Under Bin Parts	Page 6
Control System	Page 7
Schematic Diagram	Page 8
Wiring Diagram	Page 9

SCCG50 & SCCP50 Service Parts

Door

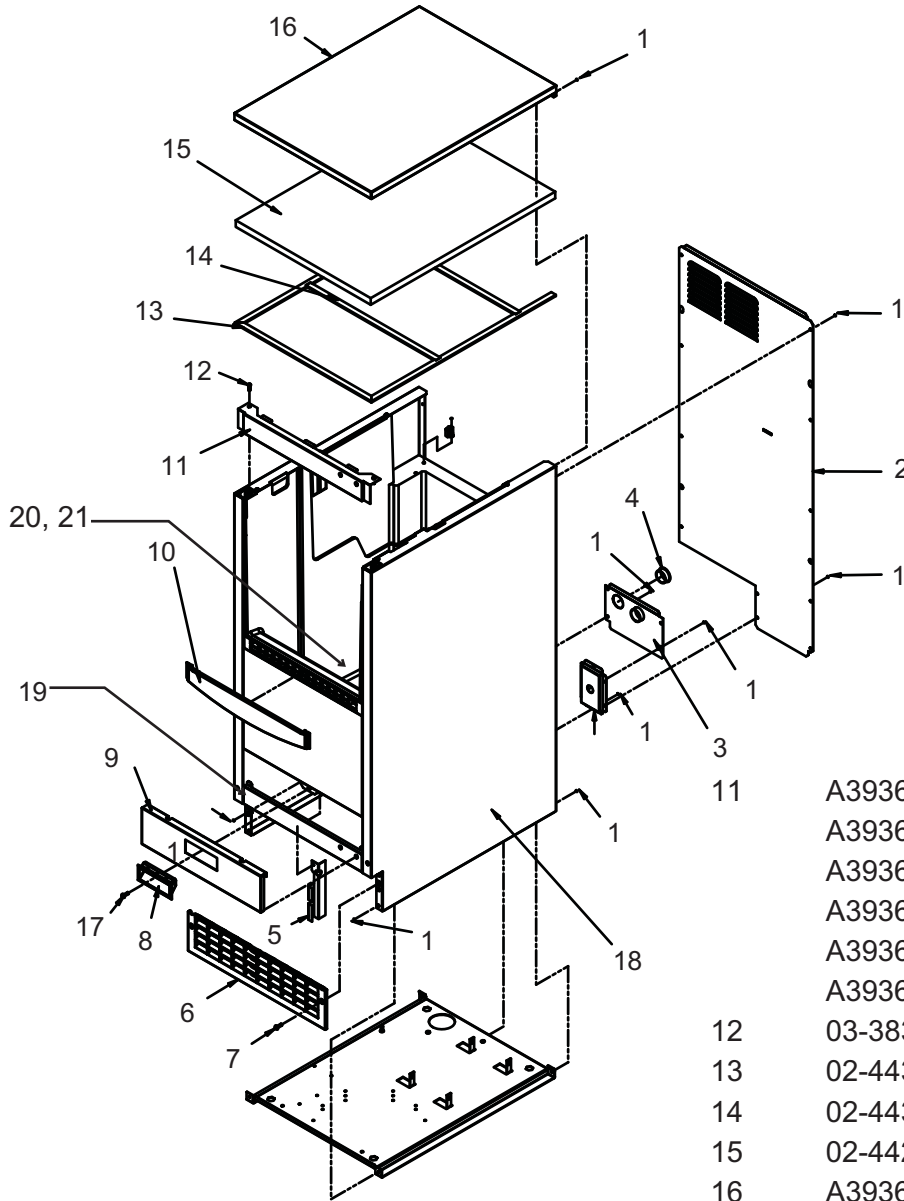


Items 17 and 19 included with item 18, package shipped loose in bin.

Item Number	Part Number	Description			
1		Door panel kits. Kits include items 1 thru 8.	7	03-1410-07	Lockwasher
	KDFW	White panel, white handle	8	A39390-001	Support bracket
	KDFWS	White panel, SS handle	9	13-0949-03	Door gasket
	KDFB	Black panel, black handle	10	03-1404-40	Screw
	kDFBS	Black panel, SS handle	11	03-3818-01	Screw - hinge to cabinet
	KDFS	SS panel, SS handle	12	02-3866-04	Hinge - top right/bottom left
2	02-4433-01	Corner block, RH	13	03-1404-24	Screw - hinge to door
3	02-4430-42	Handle, white	14	02-3866-03	Hinge
	02-4430-52	Handle, black	15	03-1403-67	Screw
	02-4430-01	Handle, SS	16	A39513-001	Door assembly, does not include door panel or hinges
4	02-4433-02	Corner block, LH	17	02-1875-07	Hole plug
5	03-1531-01	Screw	18	02-4474-01	Hinge package
6	03-3811-01	Screw	19	02-4415-20	Leg cap, pack of 4

SCCG50 & SCCP50 Service Parts

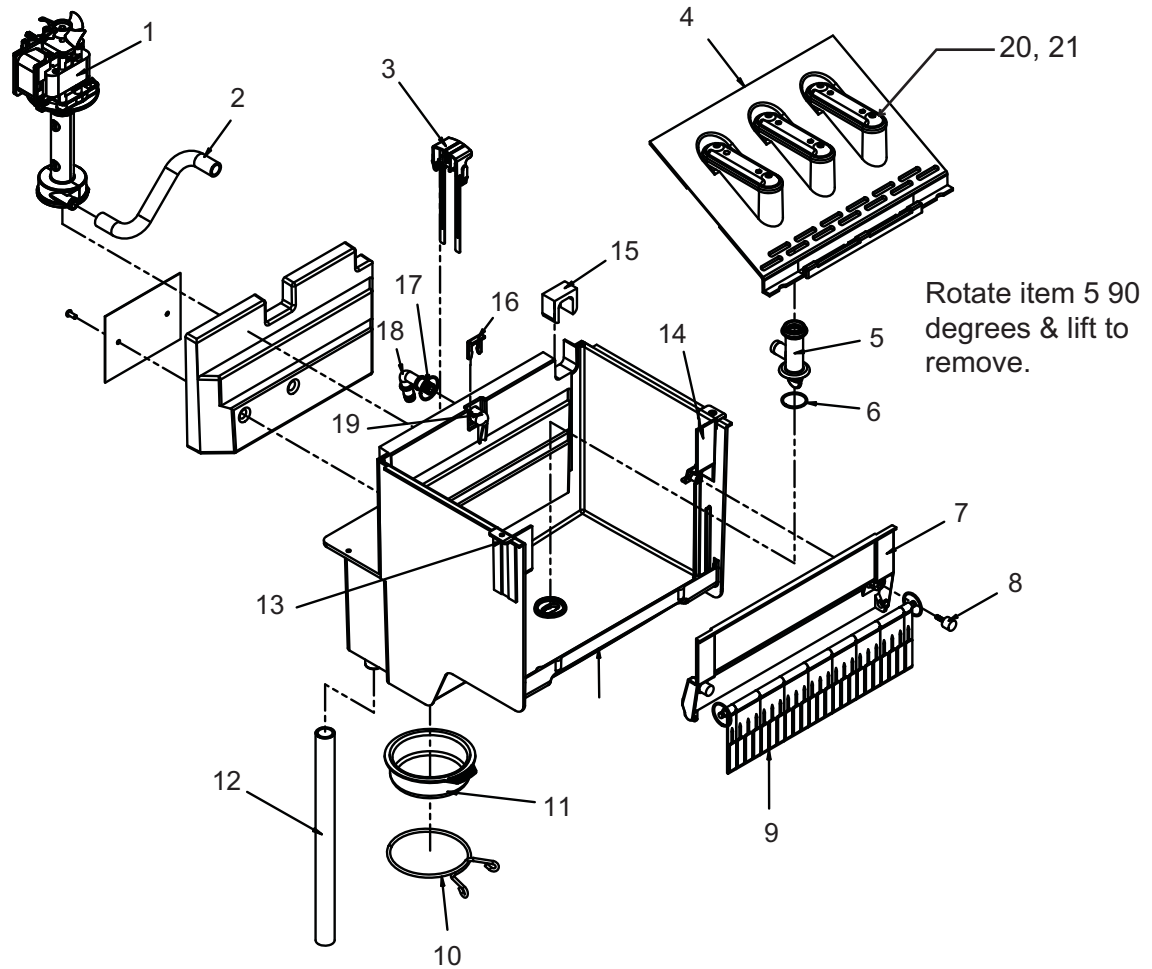
Cabinet



Item Number	Part Number	Description
1	03-1531-01	Screw
2	A39363-001	Back panel
3	A39389-001	Utility routing bracket
4	12-1213-11	Snap bushing
5	A39392-001	Srv panel mntg bracket
6	02-4390-01	Kickplate
7	03-1403-86	Screw
8	02-4441-01	Panel handle
9	A39381-001	Service panel, white
	A39381-002	Service panel, black
	A39381-003	Service panel, SS
10	02-4392-01	Bin edging
11	A39364-001	Top hinge brkt, RH white
	A39364-002	Top hinge brkt, RH black
	A39364-003	Top hinge brkt, RH SS
	A39364-004	Top hinge brkt, LH white
	A39364-005	Top hinge brkt, LH black
	A39364-006	Top hinge brkt, LH SS
12	03-3836-03	Screw
13	02-4438-01	Gasket
14	02-4438-02	Gasket strip
15	02-4426-01	Insulation pad
16	A39362-001	Top panel, white
	A39362-002	Top panel, black
	A39362-003	Top panel, SS
17	03-1403-86	Screw
18	A39378-001	White cabinet & bin
	A39378-002	Black cabinet & bin
	A39378-003	SS cabinet & bin
19	A39385-001	Btm hinge brkt, right white
	A39385-002	Btm hinge brkt, right black
	A39385-003	Btm hinge brkt, right SS
	A39385-004	Btm hinge brkt, left white
	A39385-005	Btm hinge brkt, left black
	A39385-006	Btm hinge brkt, left SS
20	A34816-001	Bin stat bracket/scoop hldr
21	02-4391-03	Scoop

SCCG50 & SCCP50 Service Parts

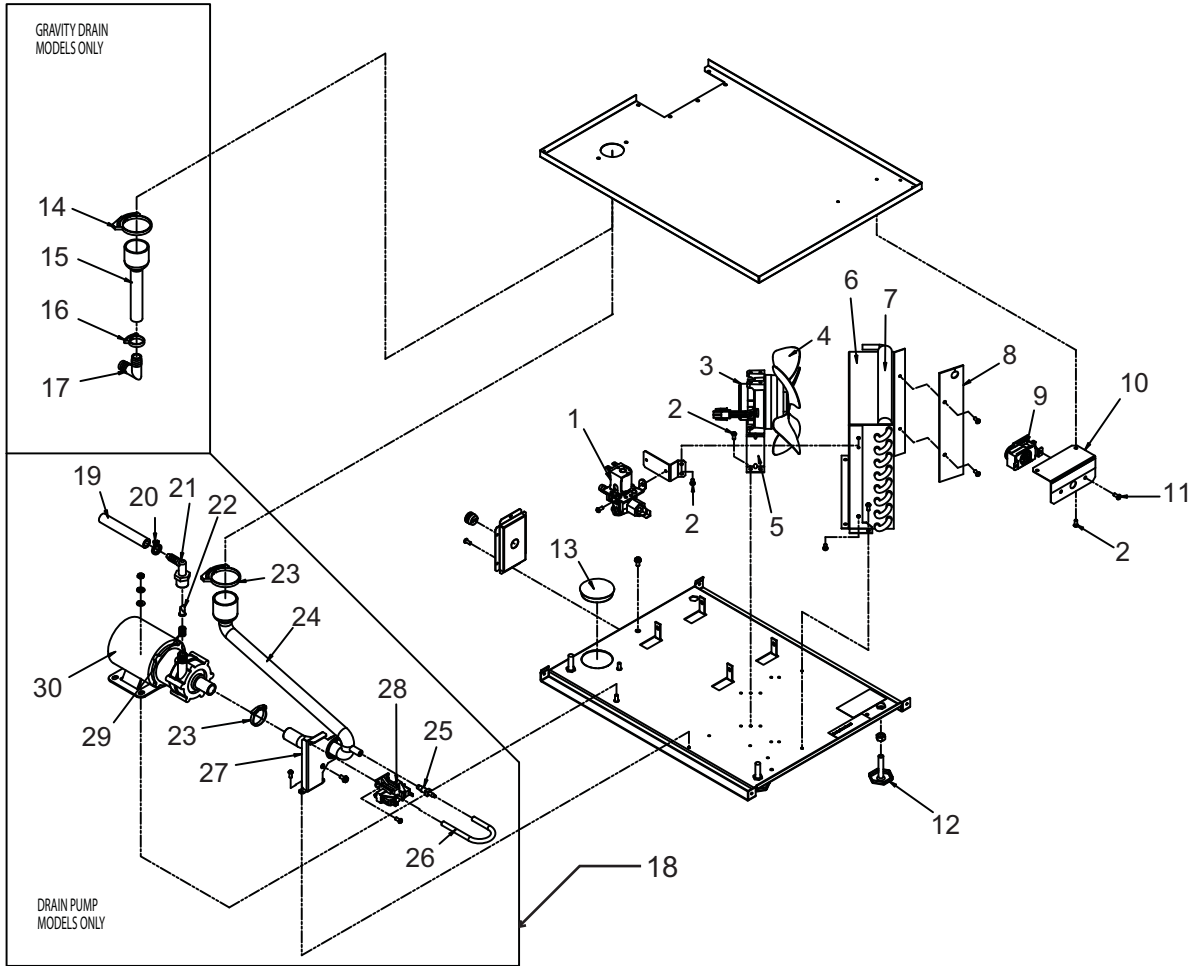
Reservoir and Spray Pump



Item Number	Part Number	Description
1	12-2986-21	Water pump
2	02-4379-01	Pump discharge hose
3	A39030-023	Water probe
4	02-4371-02	Spray platform
5	02-4368-01	Water Tee
6	13-0617-11	O-ring
7	02-4365-01	Front bracket
8	03-3892-01	Thumb screw
9	A39357-001	Curtain
10	02-4383-01	Clamp
11	02-4369-01	Drain cap
12	02-4428-01	Drain tube
13	02-4375-01	Evap bracket, left
14	02-4375-02	Evap bracket, right
15	02-4475-01	Grommet
16	02-4381-03	Clip
17	13-0617-04	O-ring
18	02-4381-01	Barbed fitting
19	02-4381-02	Spout
20	02-4373-01	O-ring
21	02-4370-21	Spray nozzle, kit. Set of 3 nozzles, o-rings, screws and nuts.

SCCG50 & SCCP50 Service Parts

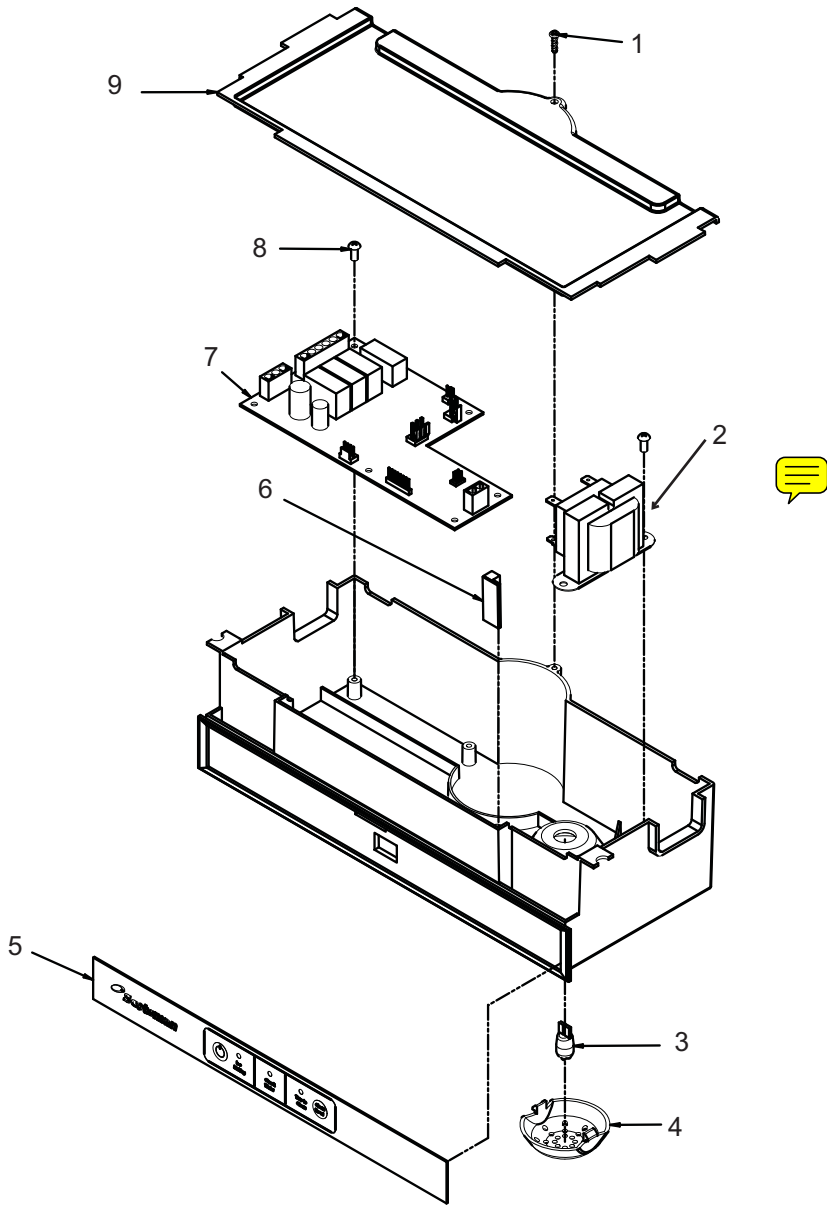
Under Bin Parts



Item Number	Part Number	Description	Item Number	Part Number	Description
			12a	02-4415-01	Leg cap
			13	02-1875-18	Hole plug
1	12-2990-01	Inlet water sol valve	14	02-2814-13	Hose clamp
2	03-1531-01	Screw	15	02-4412-01	Drain hose
3	12-2396-02	Fan motor	16	02-2814-08	Hose clamp
	12-3024-01	Fan motor, A series	17	16-0671-01	Elbow
4	18-8941-01	Fan blade	18	A39462-021	Pump kit
	02-4197-01	Fan blade, A series	19	A37334-001	Discharge hose
5	A39555-001	Fan motor bracket	20	02-0534-02	Hose clamp
	A39555-001 bracket attaches to shroud. Use on prior models requires 2 brackets & A39359-001.		21	02-3522-01	Elbow
	A39556-001	Fan motor bracket A series	22	02-3374-01	Check valve
6	A39359-001	Fan shroud	23	02-2814-13	Hose clamp
	A39460-001	Fan shroud, A series	24	02-4413-01	Drain tube
7	13-0909-01	Gasket, order 1 & cut to fit	25	02-3406-01	Barbed connector
8	02-4450-01	Air baffle	26	05-0591-01	Switch hose
9	11-0578-21	Thermostat	27	A39370-001	Switch bracket
10	A39379-001	Thermostat bracket	28	11-0504-01	Pressure switch
11	03-1403-16	Screw	29	03-3904-01	Spring
12	03-1608-01	Leg leveler	30	12-2503-21	Pump & motor only

SCCG50 & SCCP50 Service Parts

Control System



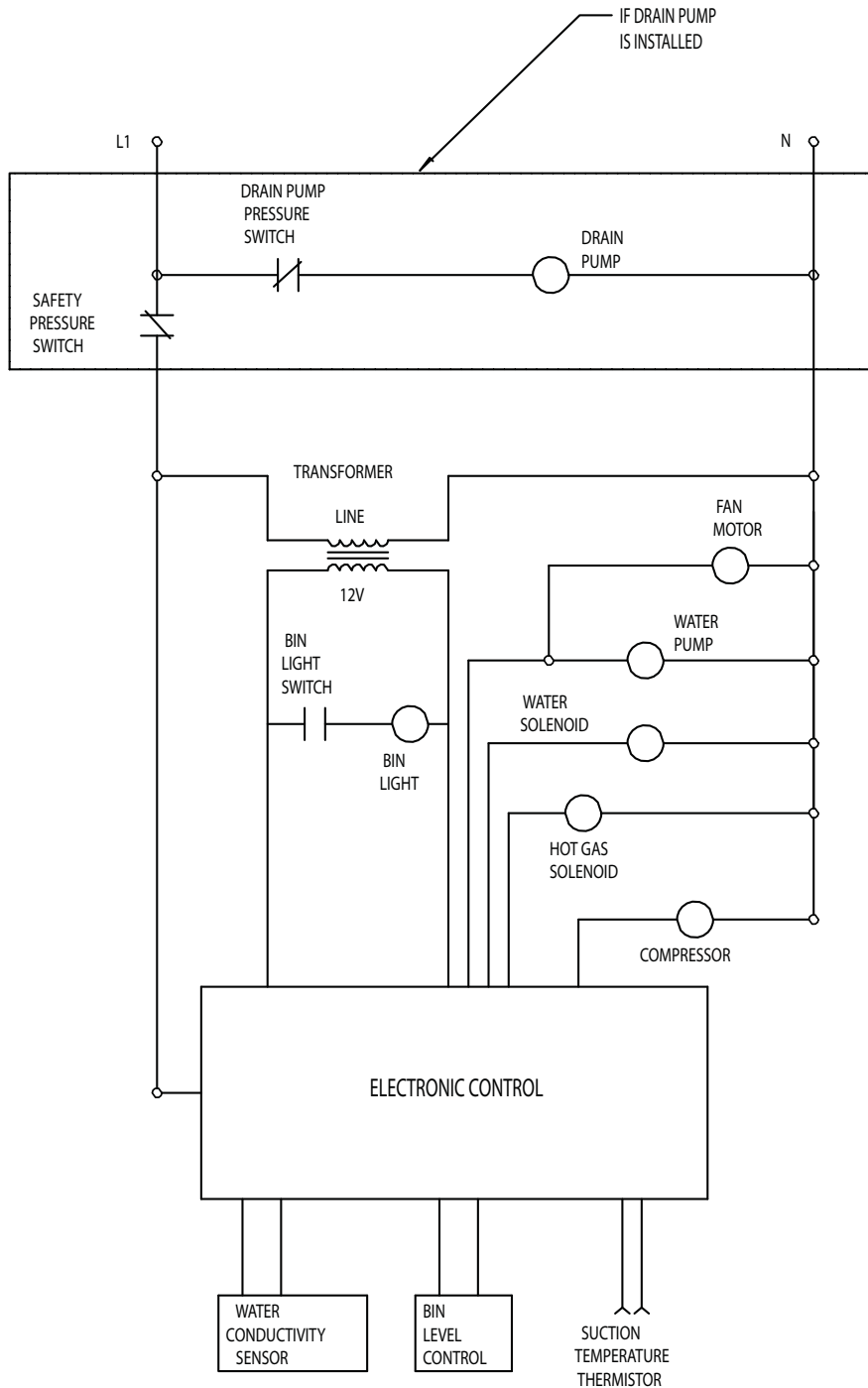
Item Number	Part Number	Description
1	03-3836-03	Screw
2	12-2924-01	Transformer
3	12-2980-01	Bulb
4	02-4380-01	Light cover
5	11-0574-01	Switch panel
6	12-2980-03	Bin light sensor
7	11-0573-24	Controller
8	03-1531-01	Screw
9	02-4386-01	Cover

Not Shown:

NS1	12-2980-02	Bin light harness & socket
NS2	12-3003-01	Bin stat harness
NS3	12-3000-02	Hi voltage harness, lower
NS4	12-3000-01	Hi voltage harness, upper
NS5	12-2992-01	Water sensor harness

SCCG50 & SCCP50 Service Parts

Schematic Diagram



SWITCHES ON THIS UNIT
SHOWN IN FREEZE CYCLE
WITH DRAIN PUMP IN OPERATION
AND BIN DOOR CLOSED

SCCG50 & SCCP50 Service Parts

Wiring Diagram

