



# F0822 - 800lb Flake Ice Machine

Prodigy Plus® Flake Ice Machine

## Superior performance with every cup.

Now the soft, chewable flake ice that customers love is available with more innovative technology than ever before. With next-generation diagnostics like AutoAlert™ indicator lights on the new Scotsman Prodigy Plus® flake ice machines, operators can help ensure superior performance while enjoying maximum efficiency — every day. And with features like advanced ice level control, a small operational footprint and easy-access service from the front panel, Prodigy Plus® flake ice machines are the smart choice for today's busy food-service environments.



## The Prodigy Plus® difference.

- AutoAlert™ indicator lights for better visibility
- Operational footprint among the industry's smallest
- Industry-exclusive QR code instantly connects users to service information and warranty history
- Front-located air filter for more efficient operation
- Self-aligning front panel for easy access to key components
- Smart-Board™ advanced feature module available for additional diagnostic capabilities
- Optional Vari-Smart™ ice level control allows operators to customize ice levels
- Antimicrobial protection guards internal surfaces between cleanings
- A full range of water- and energy-saving features

F0822 - 800lb Flake Ice Machine



## 24 Hour Volume Production

Air Cooled		Remote Cooled			Water Cooled	
70°F/21°C 50°F/10°C	Air Water	90°F/32°C 70°F/21°C	70°F/21°C 50°F/10°C	Air Water	90°F/32°C 70°F/21°C	90°F/32°C 70°F/21°C
800/363 lb/kg		580/263 lb/kg	760/345 lb/kg	610/277 lb/kg	775/352 lb/kg	620/281 lb/kg



## Modular Bin Options



B530S

B842S

Model Number*	Dimensions W" x D" x H"	AHRI Certified Bin Capacity lb/kg	Application Capacity lb/kg	Finish	Ship Weight lb/kg
B322S	22 x 34 x 44**	370/168	290/132	Metallic	140/64
B330P	30 x 34 x 31**	344/156	270/123	Poly	90/41
B530P	30 x 34 x 44**	536/244	420/191	Poly	110/50
B530S	30 x 34 x 44**	536/244	420/191	Metallic	150/68
B842S	42 x 34 x 44**	778/353	610/277	Metallic	185/84
B948S	48 x 34 x 44**	893/406	700/319	Metallic	220/100

\* Contact Scotsman for bin top requirements. \*\* Add 6" Height for bin legs.



## Flake Ice



Cools more quickly than other ice forms. Ideal for seafood and produce displays.



## Certification



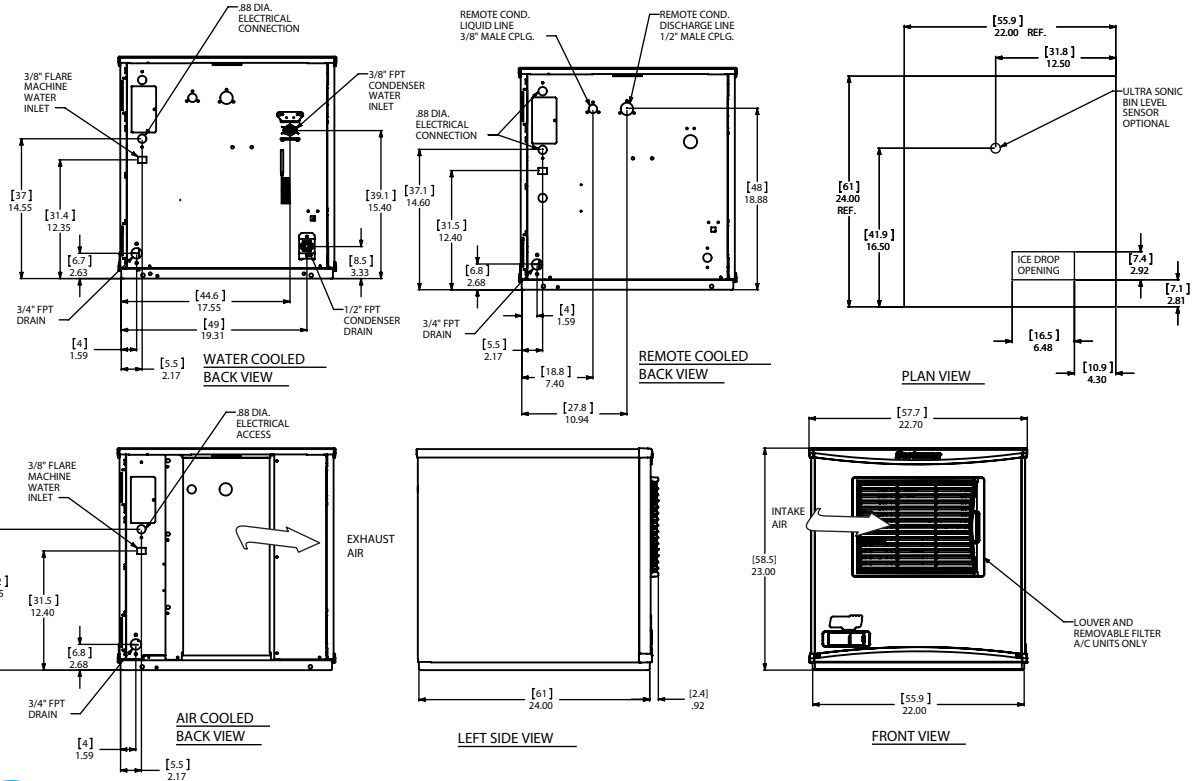
## Warranty

- 3 years parts and labor on all components.
- 5 years parts on the compressor.
- Warranty valid in North, South & Central America for commercial installations.
- Contact factory for warranty in other regions.



# F0822 - 800lb Flake Ice Machine

Prodigy Plus® Flake Ice Machine



F0822 - 800lb Flake Ice Machine



## Specifications

Ice Head Model Number	Condenser Unit	Basic Electrical Volts/Hz/Phase	Max. Fuse Size or HACR Circuit Breaker (amps)	Circuit Wires	Min. Circuit Ampacity	Energy Consumption kWh/100 lb (45.4 kg) 90°F(32°C)/70°F(21°C)	Water Usage Gallons/100 lb (liters/45.4 kg)	
							Potable 90°F(32°C)/70°F(21°C)	Condenser 90°F(32°C)/70°F(21°C)
F0822A-1	Air	115/60/1	25	2	18.3	4.7	12.0/45.5	-
F0822R-1	Remote	115/60/1	25	2	19.4	5.1	12.0/45.5	-
F0822W-1	Water	115/60/1	25	2	16.7	3.9	12.0/45.5	82/310.73



## All Models

### Dimensions (W x D x H):

Unit:	22.9" x 24" x 23" (58.2 x 61.0 x 58.4 cm)
Shipping Carton:	25.5" x 27.5" x 28.5" (64.8 x 69.9 x 72.4 cm)

Shipping Weight: 175 lb / 79 kg      BTUs per hour: 7,100

Refrigerant: R-404A



## Accessories

Model Number	Description
KVS	Vari-Smart™ Ice Level Control - Program ice bin levels to match ice needs.
KSBU	Smart-Board™ Advanced Control - Use additional operational data for fast diagnosis.
KSBU-N	Smart-Board™ Advanced Control with Network - Network capable.
ERC111-1	Remote condenser for F0822R, 115/60/1 - Consult remote condenser spec sheet for details.
RTE10	Line set, pre-charged, R404A, 10ft.
RTE25	Line set, pre-charged, R404A, 25ft.
RTE40	Line set, pre-charged, R404A, 40ft.
RTE75	Line set, pre-charged, R404A, 75ft.
KPAS	Prodigy Advanced Sustainability Kit - Includes KVS and KSBU - N

Scotsman recommends all ice machines have water filtration. See Scotsman water filter specification sheet for details.



## Operating Requirements

	Minimum	Maximum
Air Temperatures	50°F (10°C)	100°F (38°C)
Water Temperatures	40°F (4.4°C)	100°F (38°C)
Remote Cond. Temps	-20°F (-29°C)	120°F (49°C)
Water Pressures	20 PSIG (1.4 bar)	80 PSIG (5.5 bar)
Electrical Voltage	-5%	+10%

Specifications and design are subject to change without notice.

**Scotsman**  
ICE THE WORLD DEMANDS

• 775 Corporate Woods Parkway, Vernon Hills, IL 60061 •

• 1-800-SCOTSMAN • Fax: 847-913-9844 • www.scotsman-ice.com • customer.relationships@scotsman-ice.com •

© 2015 Scotsman Ice Systems.

SIS-SS-PP-F0822 12-15