

# AutoSentry RL Single System SERVICE PARTS

This parts list contains the service parts and wiring diagrams for the following models:

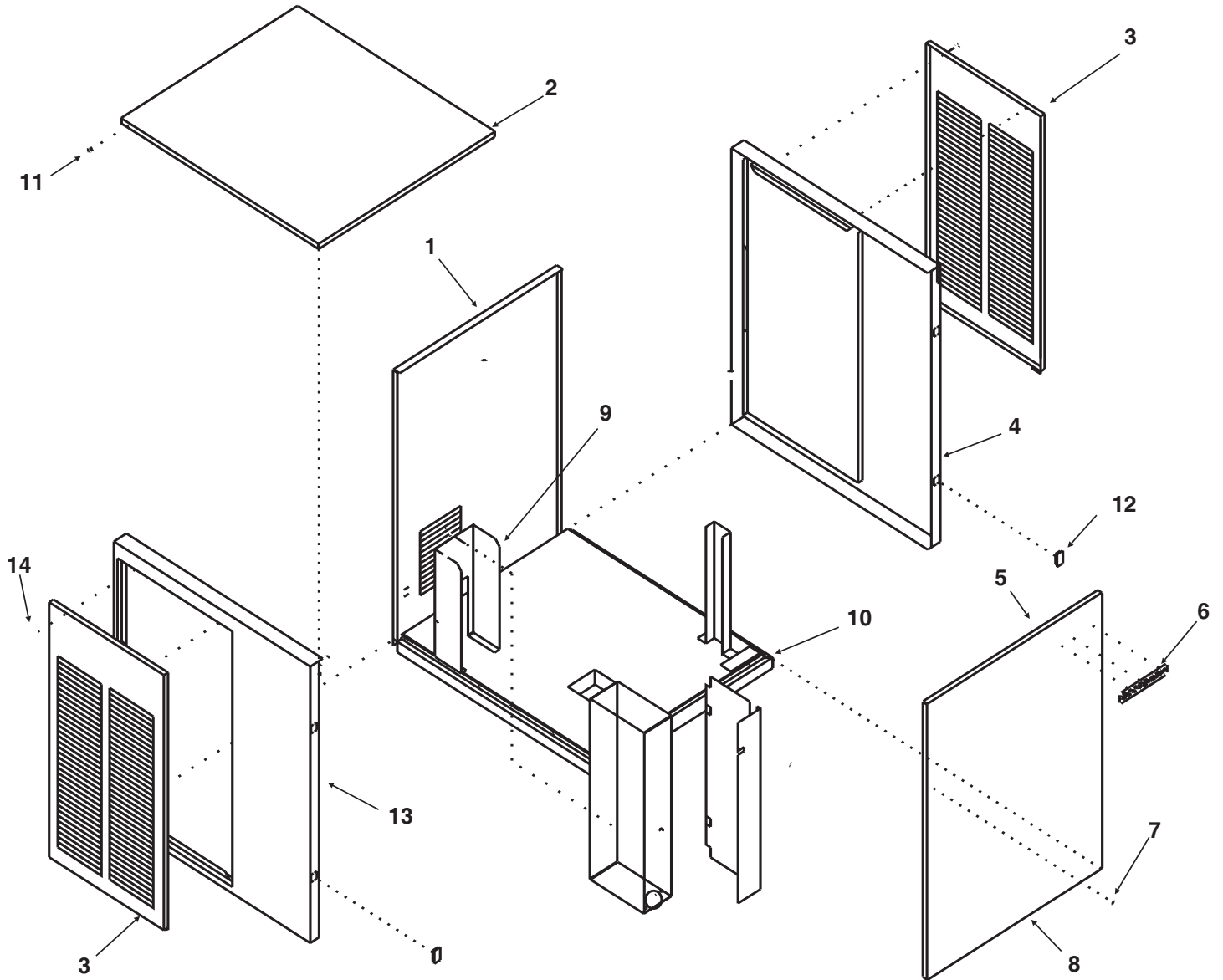
FME1204RL  
NME954RL  
NME654RL  
FME804RL  
FM1202RL-C  
NM952RL-C  
FME1504RL  
NME1254RL

Check the model number of the machine requiring the parts to be sure that this is the correct parts list.

## TABLE OF CONTENTS

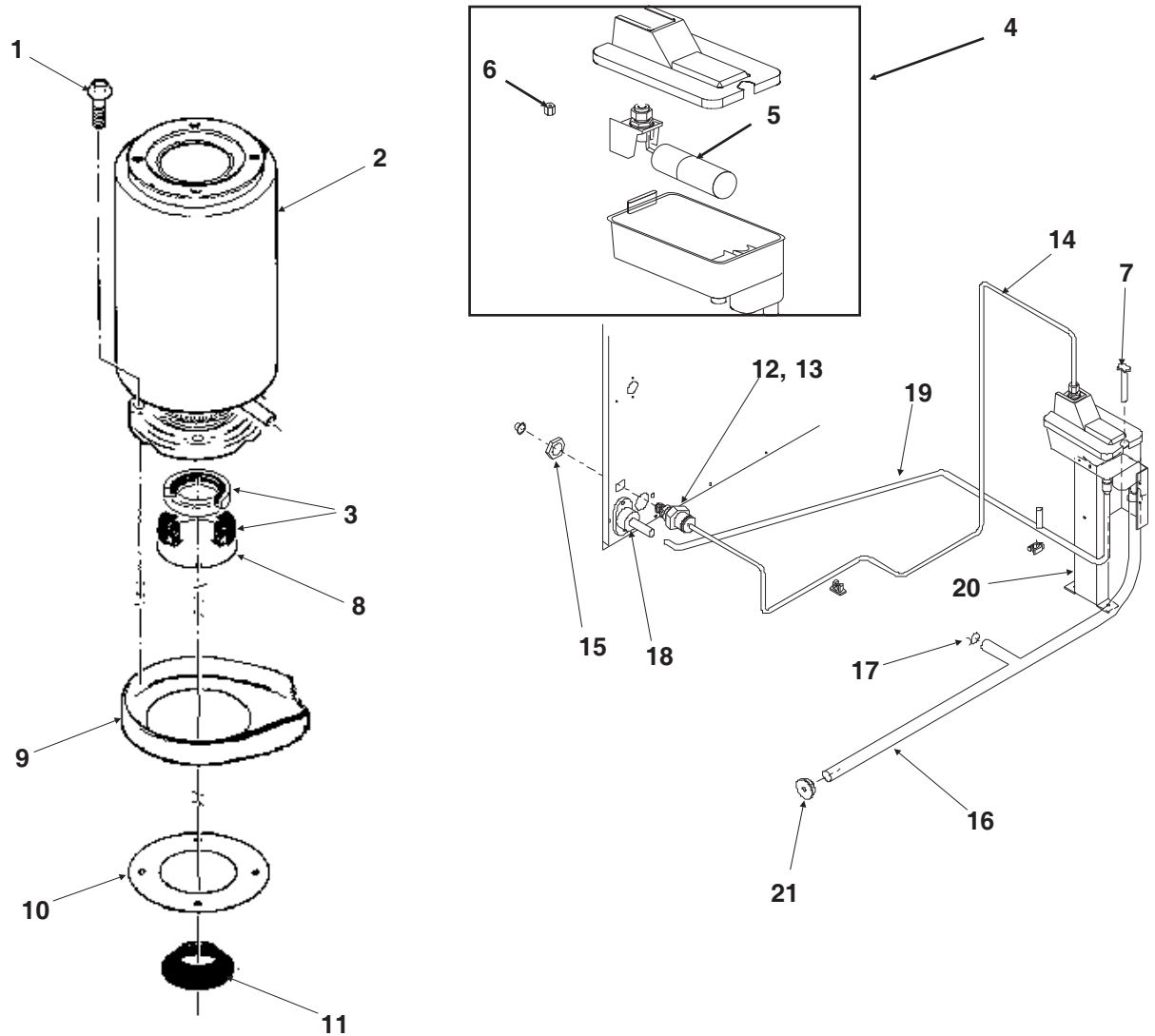
Cabinet Assembly .....	Page 2
Water System.....	Page 3
Refrigeration System.....	Page 4
Evaporator for FM & FME type models .....	Page 5
Evaporator for NM & NME type models .....	Page 6
Gearmotor .....	Page 7
Control Box .....	Page 8
Wiring Diagrams .....	Page 9

# AutoSentry RL Single System SERVICE PARTS Cabinet



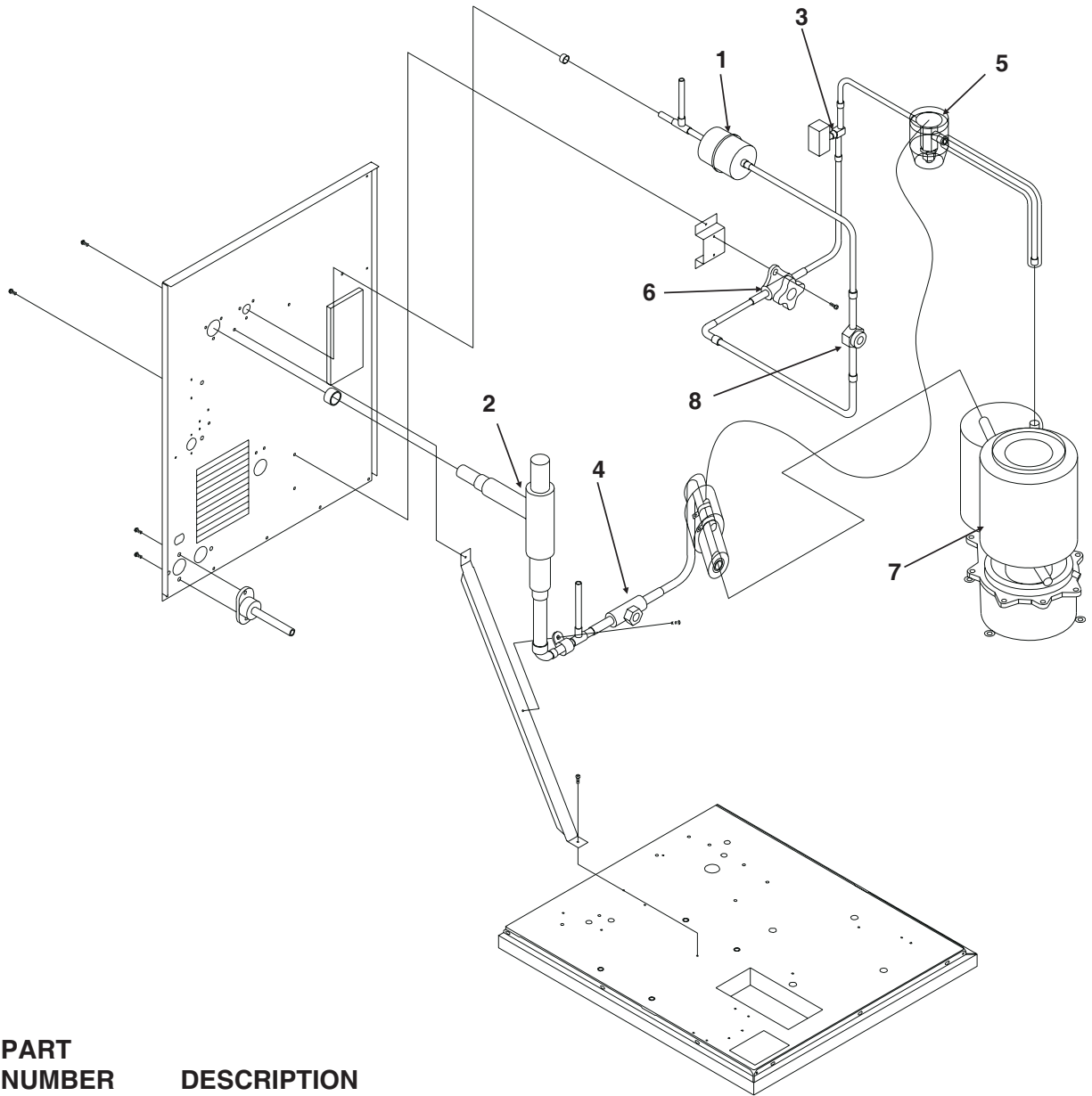
ITEM NUMBER	PART NUMBER	DESCRIPTION	ITEM NUMBER	PART NUMBER	DESCRIPTION
1	A38246-001	Back panel,	8	A33255-002	Front Panel, louvered
2	A33256-002	Top Panel, S.S.		A39048-001	Front panel, non-louvered
3	A33946-002	Service Panel, louvered	9	A34039-001	Control Box Support
4	A33292-002	Right Side Panel, S.S.	10	A35890-001	Base
5	03-0271-00	Speed Clip (order 3)	11	03-1531-01	Screw
6	15-0808-01	Emblem, grey	12	02-0836-00	Catch
7	03-1419-22	Screw	13	A32435-002	Left Side Panel, S.S.
			14	03-1404-12	Screw

# AutoSentry RL Single System SERVICE PARTS Water System



ITEM NUMBER	PART NUMBER	DESCRIPTION	ITEM NUMBER	PART NUMBER	DESCRIPTION
1	03-1405-41	Cap Screw	15	03-1394-01	Pal Nut
2	see pages 5 and 6		16	A36154-001	Evap. water inlet tube
3	02-0929-23	Water Seal	17	02-1338-00	Hose clamp
4	02-3266-01	Reservoir & valve	18	02-3692-22	Drain fitting
5	02-3266-02	Float valve	19	02-3826-01	Res. overflow hose
6	02-3266-03	Plunger/seat	20	A37481-001	Reservoir bracket
7	12-2760-21	Water Level Sensor	21	13-0840-01	Rubber cap
8	A32777-001	Retaining Ring for Seal			
9	02-3837-01	Drip Pan			
10	13-0704-00	Gasket			
11	13-0868-01	Water Shed			
12	16-1039-01	Male connector for plastic			
13	16-0835-01	Inlet fitting			
14	13-0895-01	Inlet tubing, 4 ft. req.			

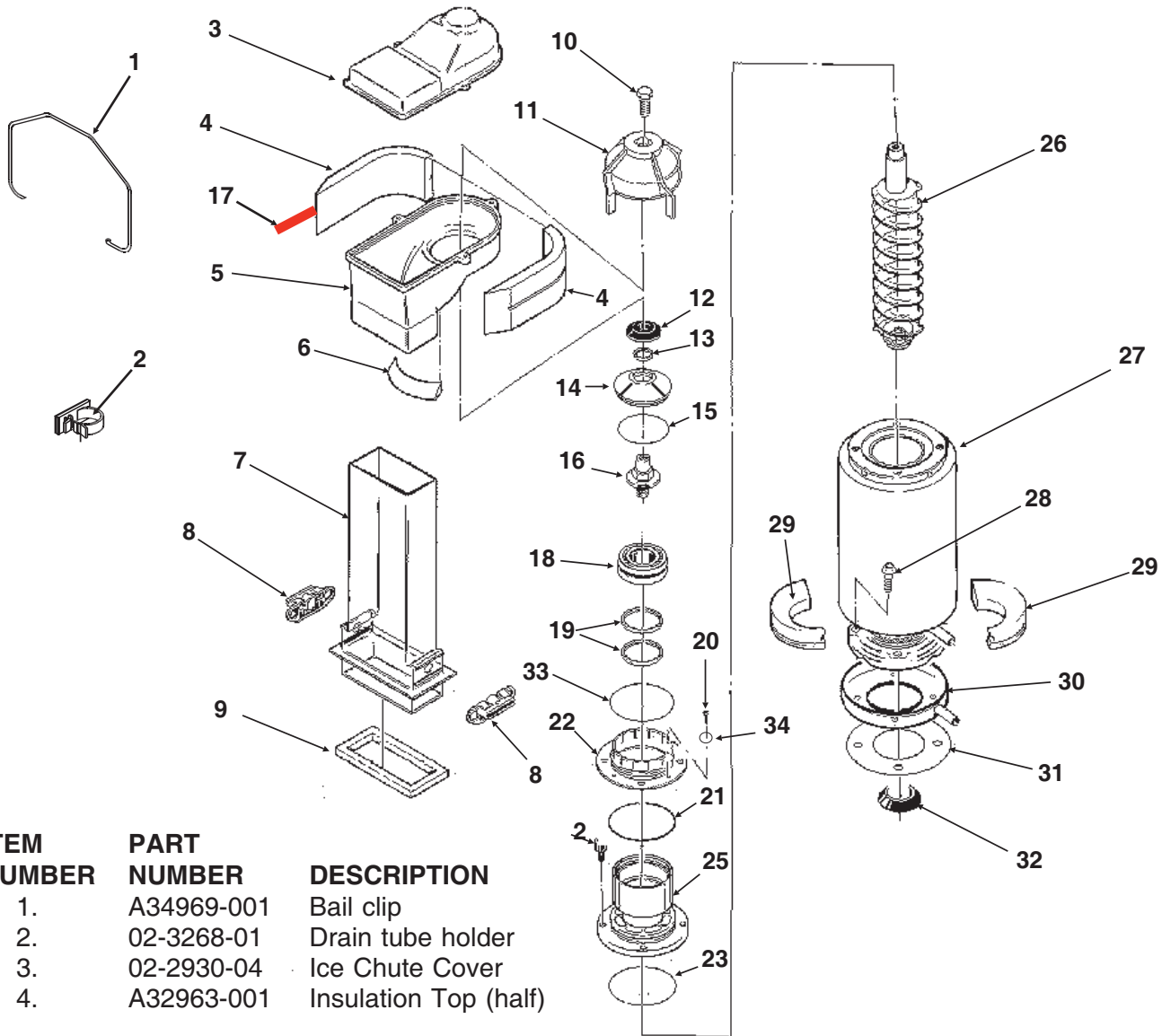
# AutoSentry RL Single System SERVICE PARTS Refrigeration System



ITEM NUMBER	PART NUMBER	DESCRIPTION
1	02-3319-03	Dryer
2	A32859-001	EPR Valve, for all except R-22 units
	A32859-002	EPR Valve, 1202 and 952 series
3	12-2135-02	Solenoid Valve for all but NME654 and NME954-1
	12-2135-01	Solenoid valve, 115 volt coil for NME654 and NME954-1
4	11-0548-02	Ball Valve
5	11-0488-21	TXV for FME1204RL or NME954RL or NME654RL (R-404A)
	11-0482-21	TXV for FME1504RL or NME1254RL (R-404A)
	11-0477-20	TXV for FM1202RL or NM952RL (R-22)
6	11-0548-01	Shut Off Valve
7	A32890-020	Evaporator
8	16-0762-02	Sight Glass

# AutoSentry RL Single System SERVICE PARTS

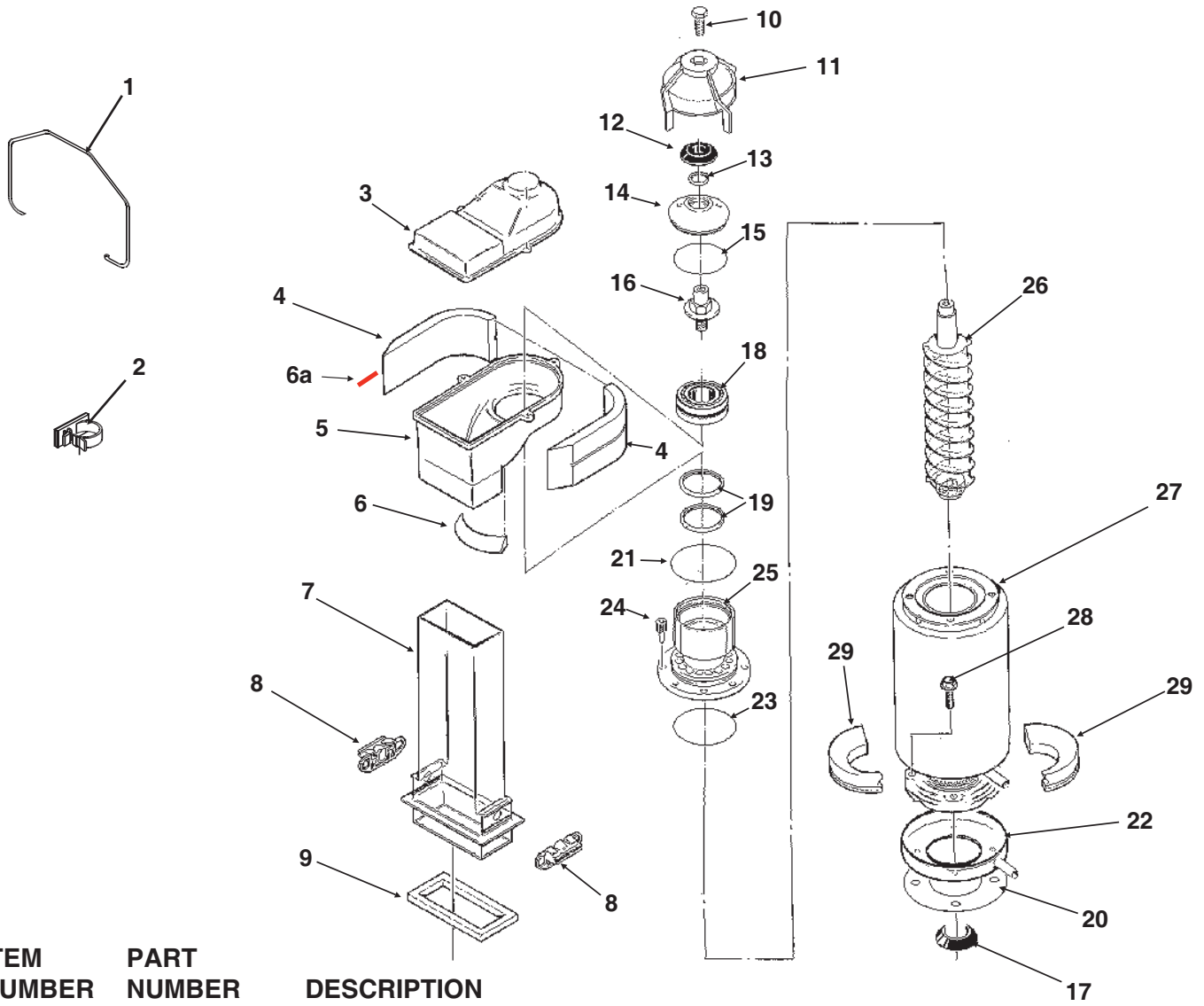
## FME Evaporator, Chute, Bin Controls



ITEM NUMBER	PART NUMBER	DESCRIPTION
1.	A34969-001	Bail clip
2.	02-3268-01	Drain tube holder
3.	02-2930-04	Ice Chute Cover
4.	A32963-001	Insulation Top (half)
5.	02-2926-01	Ice Chute Body
6.	A33102-001	Insulation Collar
Inside		
7.	02-2929-04	Ice Chute Lower
8.	A37708-021	Bin Controls Assy. (set of 2)
9.	A32930-001	Chute Gasket
10.	03-1405-52	Hex Cap Screw
11.	02-3001-01	Ice Sweep
12.	13-0871-01	Water Shed
13.	02-2978-01	Lip Seal
14.	02-3128-20	Breaker Cover
15.	13-0617-54	O-Ring
16.	08-0660-01	Auger Stud, thrust
Washer		
17.	A35419-020	Strap kit
18.	A34559-020	Bearing
19.	02-2977-01	Lip Seal
20.	03-1405-27	Screw
21.	13-0617-52	O-Ring
22.	02-2916-01	Slotted Collar
23.	13-0617-45	O-Ring
24.	03-1544-08	Soc. Head Screw
25.	A34505-020	Breaker (Divider) (includes 18 & 19)
26.	A38071-022	Auger for all but 804
	A38071-021	Auger for FME804
27.	A32890-020	Evaporator - for all but 804
	A33194-020	Evaporator for 804
28.	03-1405-41	Cap Screw
29.	A32962-001	Insulation Bot. (half)
30.	02-3837-01	Drip Pan
31.	13-0704-00	Drip Pan Gasket
32.	13-0868-01	Water Shed
33.	13-0617-49	O-Ring
34.	03-1408-36	Washer

# AutoSentry RL Single System SERVICE PARTS

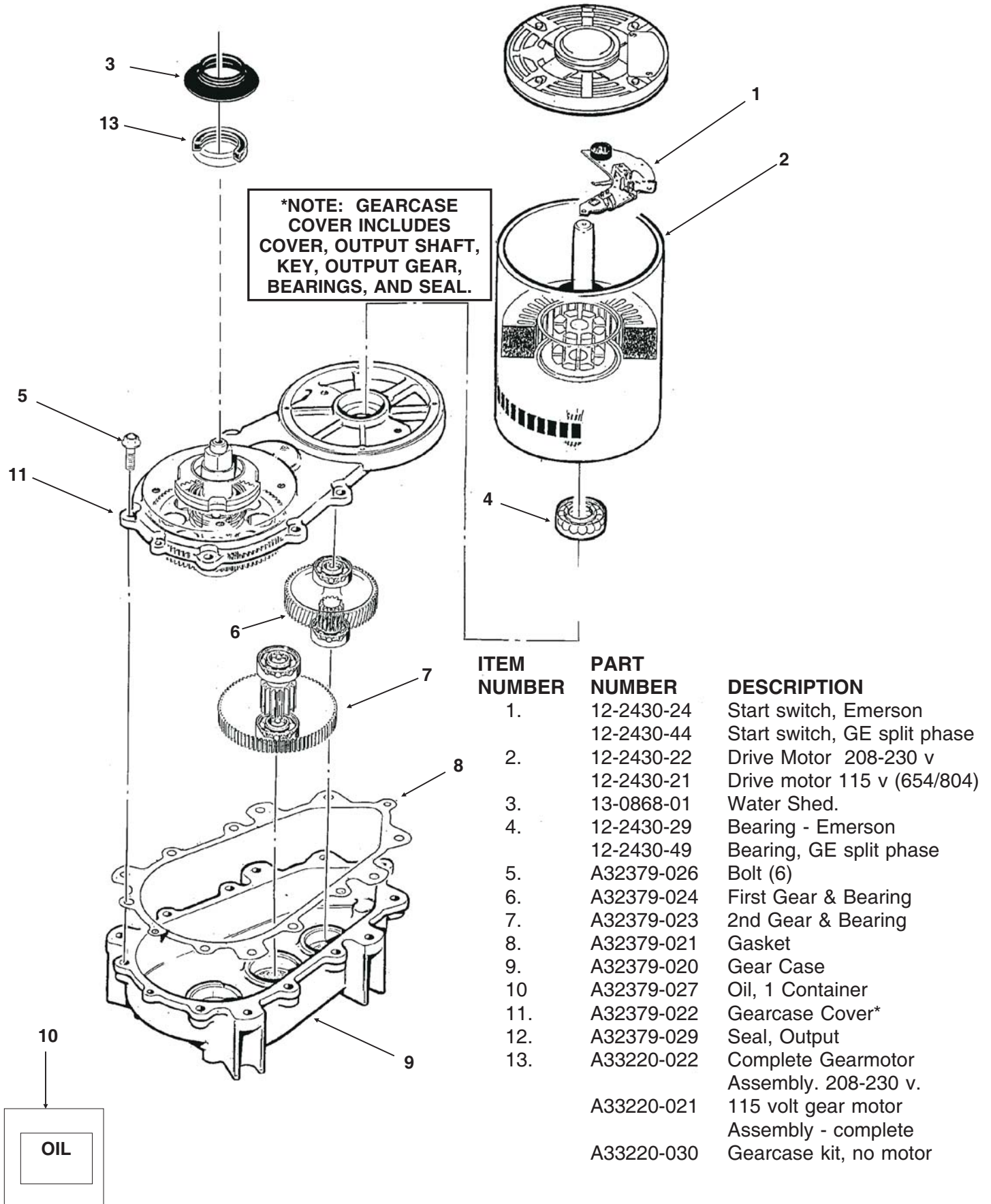
## NME Evaporator



ITEM NUMBER	PART NUMBER	DESCRIPTION
1.	A34969-001	Bail clip
2.	02-3268-01	Drain tube holder
3.	02-2930-04	Ice Chute Cover
4.	A32963-001	Insulation Top (half)
5.	02-2926-01	Ice Chute Body
6.	A33102-001	Insulation Collar Inside
6a	A35419-020	Strap kit
7.	02-2929-04	Ice Chute Lower
8.	A37708-021	Bin Controls Assy. (set of 2)
9.	A32930-001	Chute Gasket
10.	03-1405-52	Hex Cap Screw
11.	02-3001-01	Ice Sweep
12.	13-0871-01	Water Shed
13.	02-2978-01	Lip Seal
14.	02-3128-20	Breaker Cover
15.	13-0617-52	O-Ring
16.	08-0660-01	Auger Stud & washer
17.	13-0868-01	Water Shed
18.	A34559-020	Bearing
19.	02-2977-01	Lip Seal
20.	13-0704-00	Drip Pan Gasket
21.	13-0617-54	O-Ring
22.	02-3826-01	Drip Pan
23.	13-0617-45	O-Ring
24.	03-1544-08	Soc. Head Screw
25.	A32900-020	Breaker (includes 18 & 19)
26.	A38071-022	Auger for all but 654
	A38071-021	Auger for NME654RL
27.	A32890-020	Evaporator for all but 654
	A33194-020	Evaporator for 654RL
28.	03-1405-41	Cap Screw
29.	A32962-001	Insulation Bot. (half)

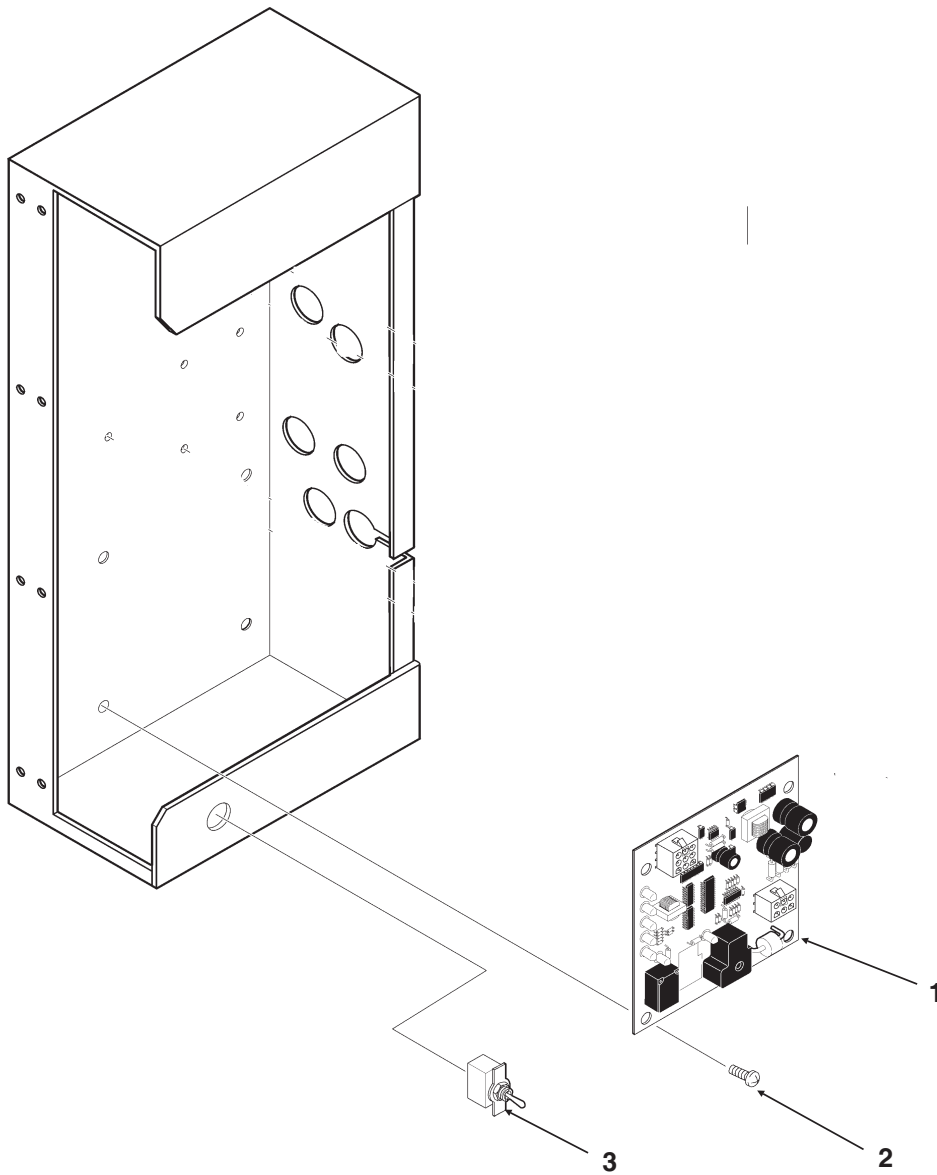
# AutoSentry RL Single System SERVICE PARTS

## Gearmotor





# AutoSentry RL Single System SERVICE PARTS



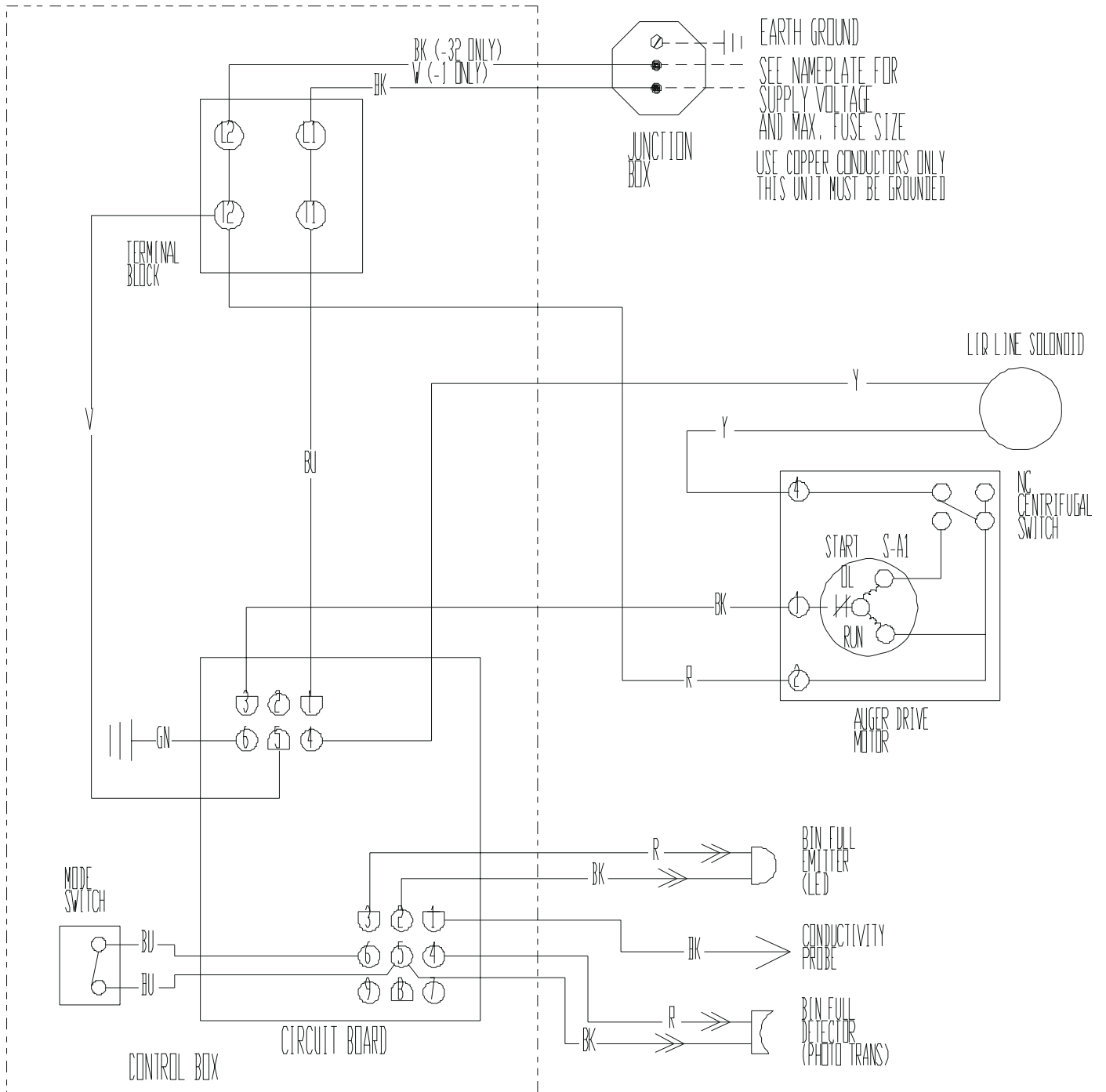
ITEM NUMBER	PART NUMBER	Control Box DESCRIPTION
1	12-2835-22	Circuit Board
2	12-2350-01	Stand off
3	12-0426-01	Mode Switch
Not Illustrated:		
4	12-0813-04	Terminal Strip



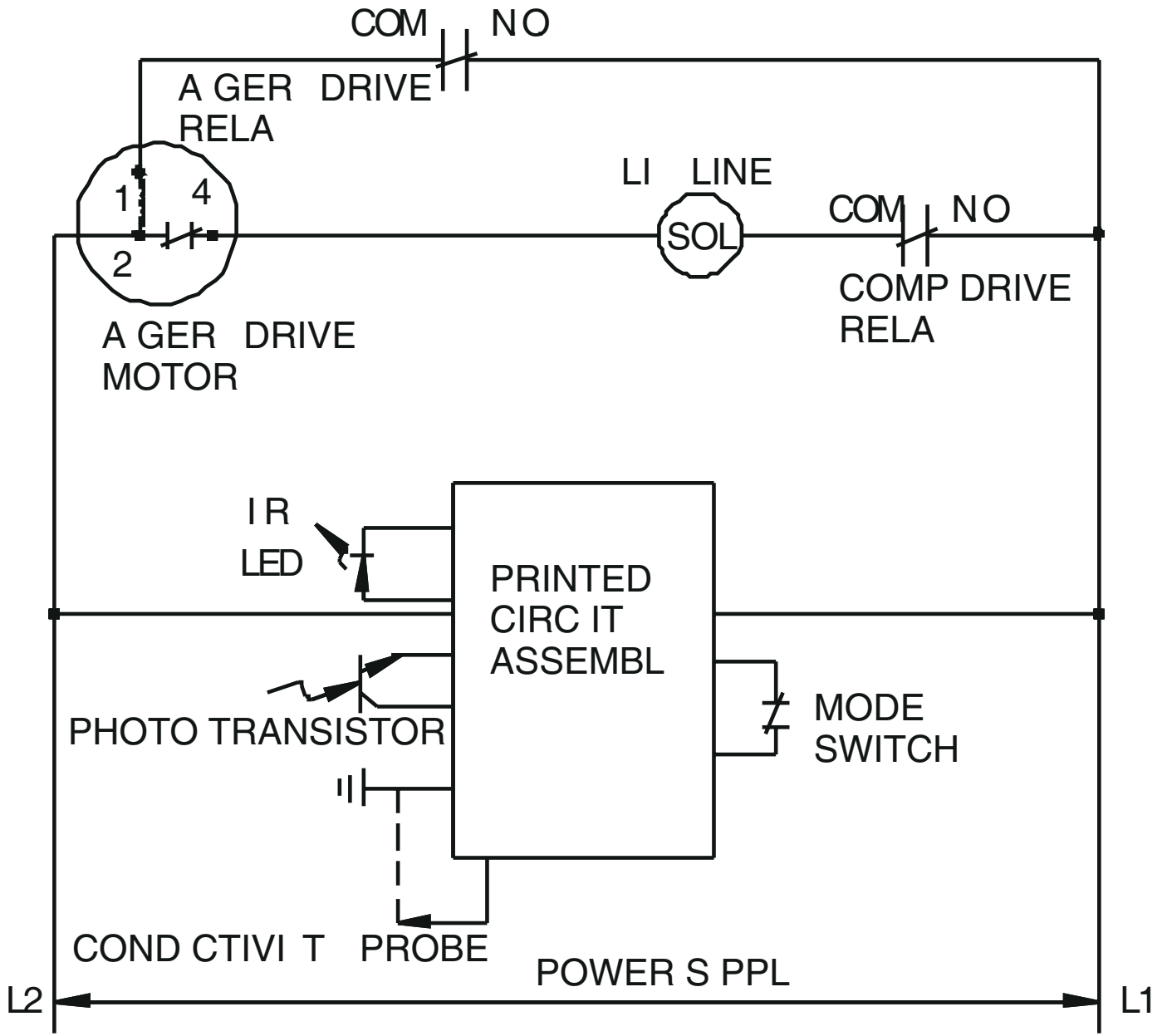


# AutoSentry RL Single System SERVICE PARTS Wiring Diagram

17-2946-01



# AutoSentry RL Single System SERVICE PARTS Schematic Diagram



# SERVICE BULLETIN

## Subject: NME, FME, NSE, NDE and TDE550/650 Top Bearing Lubrication

Two parts have been made available as helpful aids to use when lubricating the top bearing.

1. **02-3559-01** is a needle that snaps onto a standard grease gun fitting. Use it to insert and deeply pack the proper lubricant into the top bearing.
2. **A36808-001** is a tube of the proper lubricant, also designed to fit a standard grease gun.

Both numbers are in the parts price list.

Needle, shown inserted into bearing

