



ITEM NO.

# 22" & 30" Beverage Dispensers 22" & 30" Ice Machines

# LANCER®

C.S.I. File No. 0000



Lancer's Series 4500 is available in 22" and 30" wide units, offering 6 or 8-10 valve dispensing respectively. The 22" unit offers 180 lbs. ice capacity with 150 lbs. dispensable. The 30" unit offers 250 lbs. ice capacity with 220 lbs. dispensable.

**Lancer Dispensers Feature:**

- Illuminated Interchangeable Graphics
- Variable Ice Agitation is Standard
- Adjustable Ice Dispense Rate
- Push & lever Ice Dispensing Versatility
- Multiple Non-Carbonated Drink Capabilities
- Low Ice Sensing is Standard with Visual Indicator for Smooth and Even Ice Dispensing Flow

Scotsman's 22" SlimLine Modular Ice Cuber Series produces up to 400 lbs. of ice in 24 hrs, while Scotsman's 30" CM<sup>3</sup> Modular Ice Cuber Series produces up to 770 lbs. of ice in 24 hours. Both offer crystal clear ice cubes that provide high liquid displacement and a better quality drink for your customers.

**Scotsman 22" SlimLine® Features:**

- Low Profile - Only 20" High
- Ideal when counter space is at a premium
- Available in Air, Water or Remote
- Stainless Steel Construction
- Outstanding Warranty Package

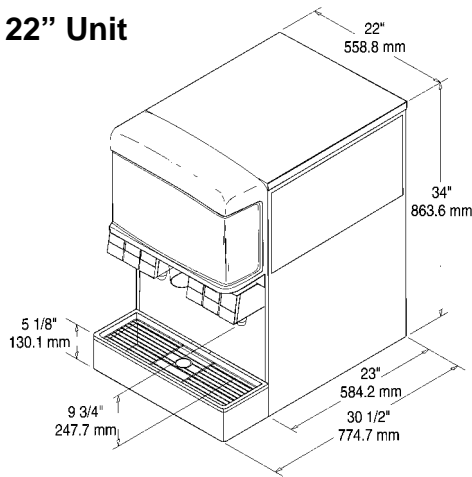
**Scotsman 30" CM<sup>3</sup>™ Features:**

- High Volume Ice Production
- Lifetime Rust Free Warranty on Food Zone
- AutoIQ™ Control System for Fast/Efficient Operation
- Adaptive Harvest™ for Fast Ice Recovery
- AutoRestart™ Restarts Machine due to Power & Water Interruptions
- Evaporator is 99.4% Reliable Over 5 years
- Lower Operating Costs Uses Less Power & Water
- Outstanding Warranty Package

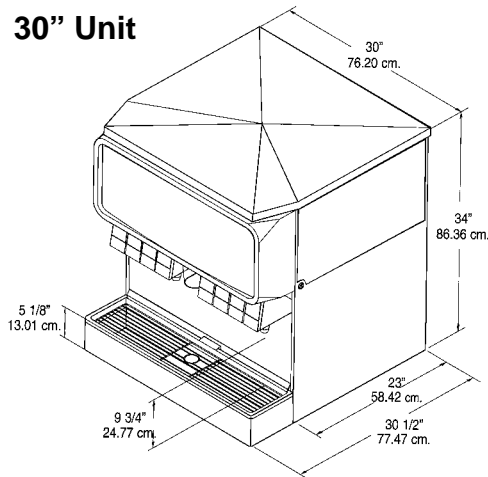


# 22" & 30" Lancer Beverage Dispenser/Ice Machines

**22" Unit**



**30" Unit**



**LANCER SPECIFICATIONS**

	Ice/Beverage 22" Dispenser	Ice/Beverage 30" Dispenser	Ice Only 22" Dispenser	Ice Only 30" Dispenser
Shipping Weight (approx.):	255 lbs (116kg)	305 lbs (138kg)	170 lbs (77kg)	200 lbs (90kg)
Counter Weight w/out Ice:	225 lbs (102kg)	275 lbs (125kg)	142 lbs (64kg)	175 lbs (79kg)
Total Ice Capacity:	180 lbs (82kg)	250 lbs (113 kg)	180 lbs (82 kg)	250 lbs (113 kg)
Voltage:	120V & 230 V	120V & 230V	120V & 230 V	120V & 230 V
Syrup Fittings:	1/4" male barb	1/4" male barb	N/A	N/A
Soda Fittings:	3/8" male barb	3/8" male barb	N/A	N/A
Valves:	*Fast-Flow	LEV(r)	N/A	N/A
Flex Manifold Configuration:	3-2-1 (6 valve)	3-1-1-3 (8 valve) 3-1-2-1-3 (10 valve)	N/A	N/A

KBLCM3-30 - Ice maker Adapter Kit to mount to CME256, CME506, CME656 or CME806 on Lancer 30" Dispenser.  
 KBLSLE-22- Ice maker Adapter Kit to mount to SLE300 or SLE400 on Lancer 22" Dispenser.

Both available with Key Lock Switch for dispensing valves. \*Other valves available upon request. Warranty: Standard industry warranty applies to all Lancer products for one year from date of manufacture. For warranty specifics by product, contact your Lancer Sales Representative. Specifications subject to change without notice.

**SCOTSMAN SPECIFICATIONS\*\***

	SLE400 AIR MODEL	CME506 AIR MODEL	CME656 AIR MODEL	CME806 AIR MODEL	CME1056 REMOTE MODEL
Ice Production (lbs/24hrs) 70° Air & 50° Water	400 lbs	500 lbs	705 lbs	770 lbs	950 lbs
90° Air & 70° Water	350 lbs	395 lbs	583 lbs	660 lbs	840 lbs
Finish:	Stainless Steel*	Stainless Steel*	Stainless Steel*	Stainless Steel*	Stainless Steel***
Dimensions ( WxDxH):	22"x23"x20"	30"x24"x27"	30"x24"x27"	30"x24"x27"	30"x24"x28"
Ship Weight (lbs/kg):	165 lbs (74kg)	205 lbs (93kg)	225 lbs (102kg)	235 lbs (107kg)	280 lbs (127kg)
Basic Electrical:	115/60/1	115/60/1	208-230/60/1	208-230/60/1	208-230/60/1
Comp. HP:	3/4 hp	3/4 hp	1-1/2 hp	2-1/2 hp	2 1/2 hp
No. of Wires:	2	2	2	2	2
Max. Fuse Size:	25	20	20	20	20
Min. Circuit Ampacity:	22.3	19	13.6	17.5	14
Power Consumption: (KWH/100lbs - 90°F/70°F)	9.3	7.3	6.1	6.8	5.1
Water Usage (gallons/100lbs): Potable - 90°F/70°F	14.0	15.0	15.0	12.9	15.5
Remote Condensing Unit:	RCE400-32A	ERC101-1A	ERC201-32A	ERC201-32A	ERC311-32A
Pre-charged Refrigerant Tube Kits:	RTESL25 - 25ft RTESL40 - 40ft	RTE25 - 25ft RTE40 - 40ft RTE75 - 75ft	RTE25 - 25ft RTE40 - 40ft RTE75 - 75ft	RTE25 - 25ft RTE40 - 40ft RTE75 - 75ft	RTE25 - 25 ft RTE40 - 40 ft RTE75 - 75 ft

\* Units can be ordered with a no rust front panel and an Enamel Finish. Units available in Air Cooled, Water Cooled and Air-Remote Units. See individual specification sheets for further details. Specifications subject to change without notice.

\*\* For complete information on Scotsman's line of Ice Machines, see our full line catalog.

\*\*\* Units can be ordered with an enamel finish

