

SCE275 Service Parts

This is the service parts list for the SCE275. This product was manufactured in both 60 Hz and 50 Hz models. The model number is different for each voltage. 60 Hz are designated with a -1 at the end, for example: SCE275A-1A. 50 Hz models use a -6 at the end, such as SCE275A-6A.

Like many other parts, the System Controller is UNIQUE to this machine. Do NOT use it on any other model.

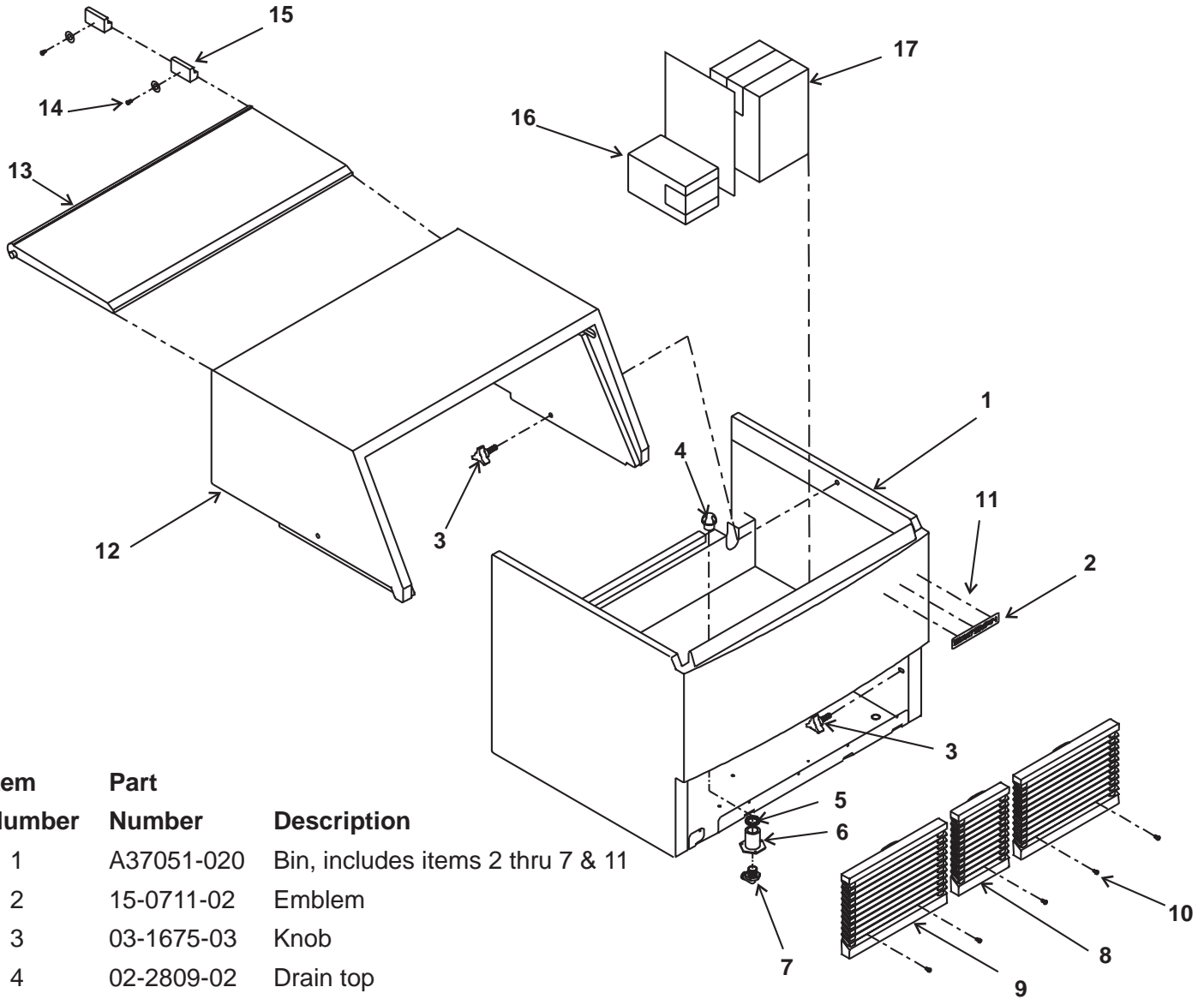
Electrical parts that belong to the different voltages are described as 60 or 50 Hz.

Table Of Contents

Cabinet	Page 2
Air Cooled	Page 3
Water Cooled	Page 4
Refrigeration Components	Page 5
Water System	Page 6
Compressor, Controller, Water Valve	Page 7
Electrical Box	Page 8
Wiring Diagram	Page 9
Schematic Diagram	Page 10

SCE275 Service Parts

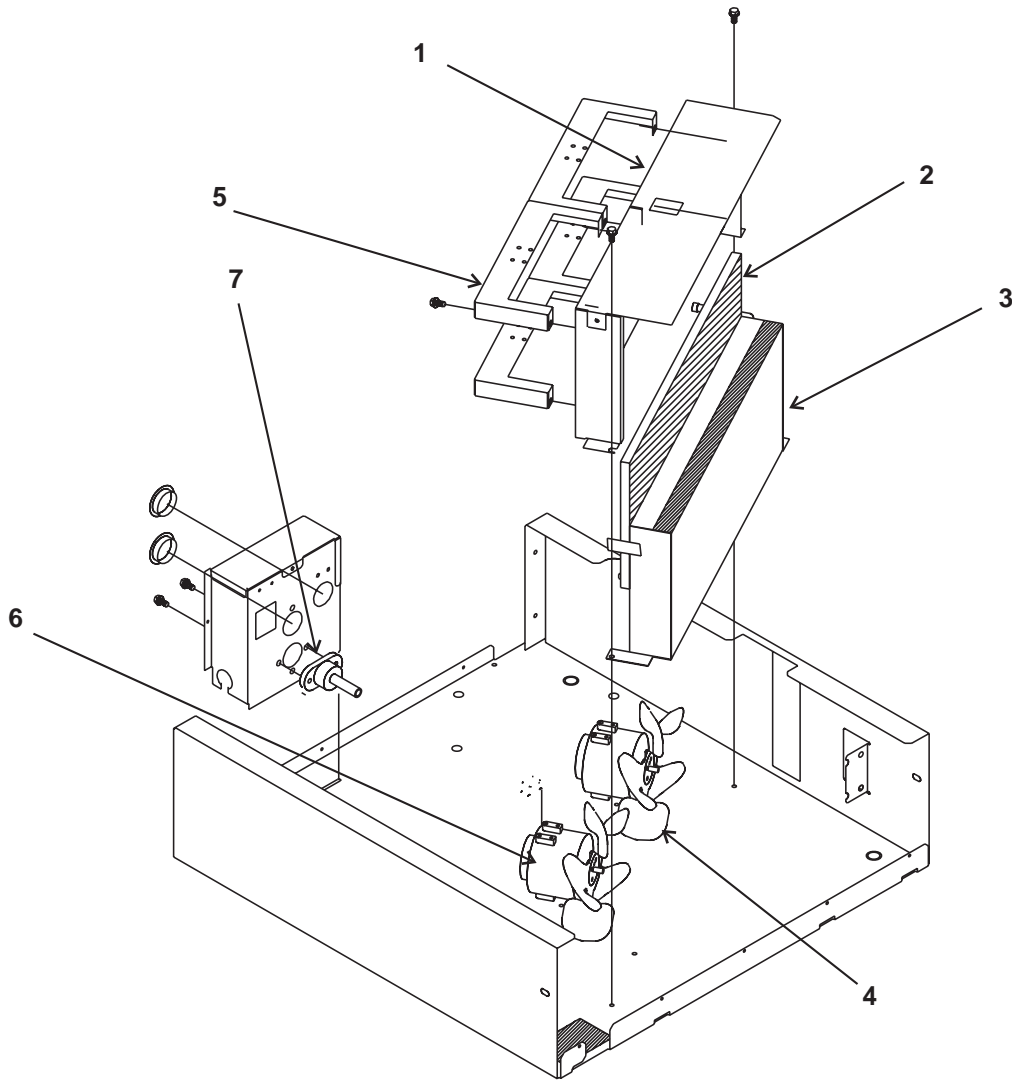
Cabinet



Item Number	Part Number	Description
1	A37051-020	Bin, includes items 2 thru 7 & 11
2	15-0711-02	Emblem
3	03-1675-03	Knob
4	02-2809-02	Drain top
5	13-0617-09	O-ring
6	02-3108-01	Drain fitting
7	16-0822-01	Elbow
8	02-3458-01	Center grill
9	02-3153-01	Grill
10	03-1638-03	Screw
11	03-1562-01	Speed clip
12	A37050-021	Hood, includes items 3, 14, and 15
13	02-3439-01	Door
14	02-1419-22	Screw
15	19-0629-02	Door stop
16	KLP2	Leg kit
17	02-3253-01	Scoop

SCE275 Service Parts

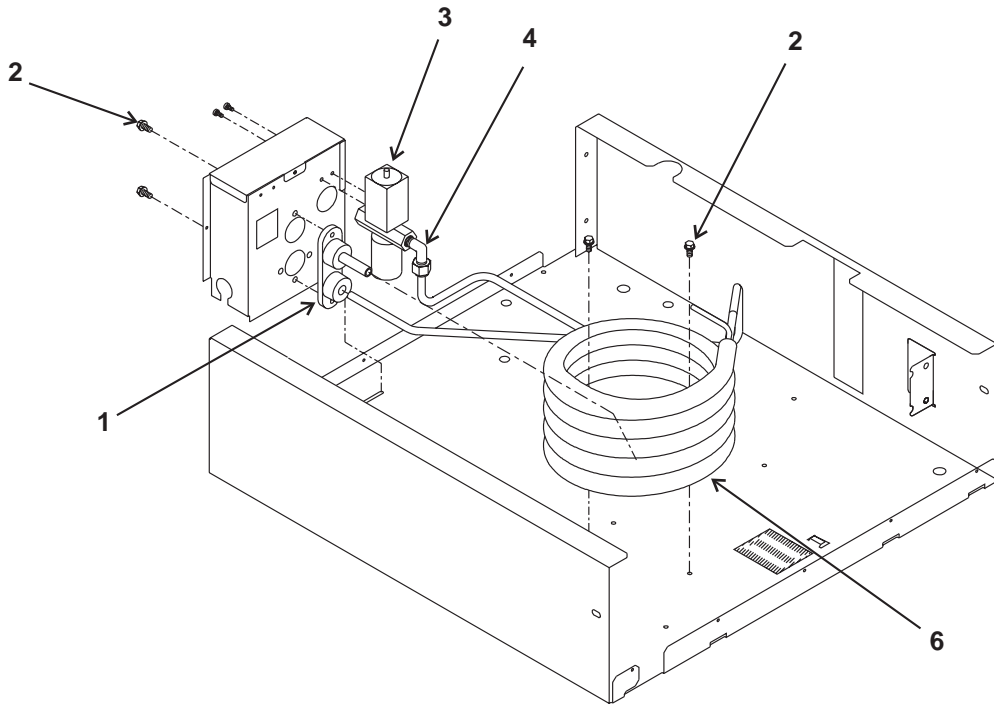
Air Cooled



Item Number	Part Number	Description
1	A36742-001	Fan shroud
2	02-3193-01	Air filter
3	18-8782-01	Condenser
4	18-8773-01	Fan blade
5	A37320-001	Fan motor bracket
6	12-1681-03	Fan motor, 60 Hz
	12-1681-04	Fan motor, 50 Hz
7	A31828-004	Drain fitting

SCE275 Service Parts

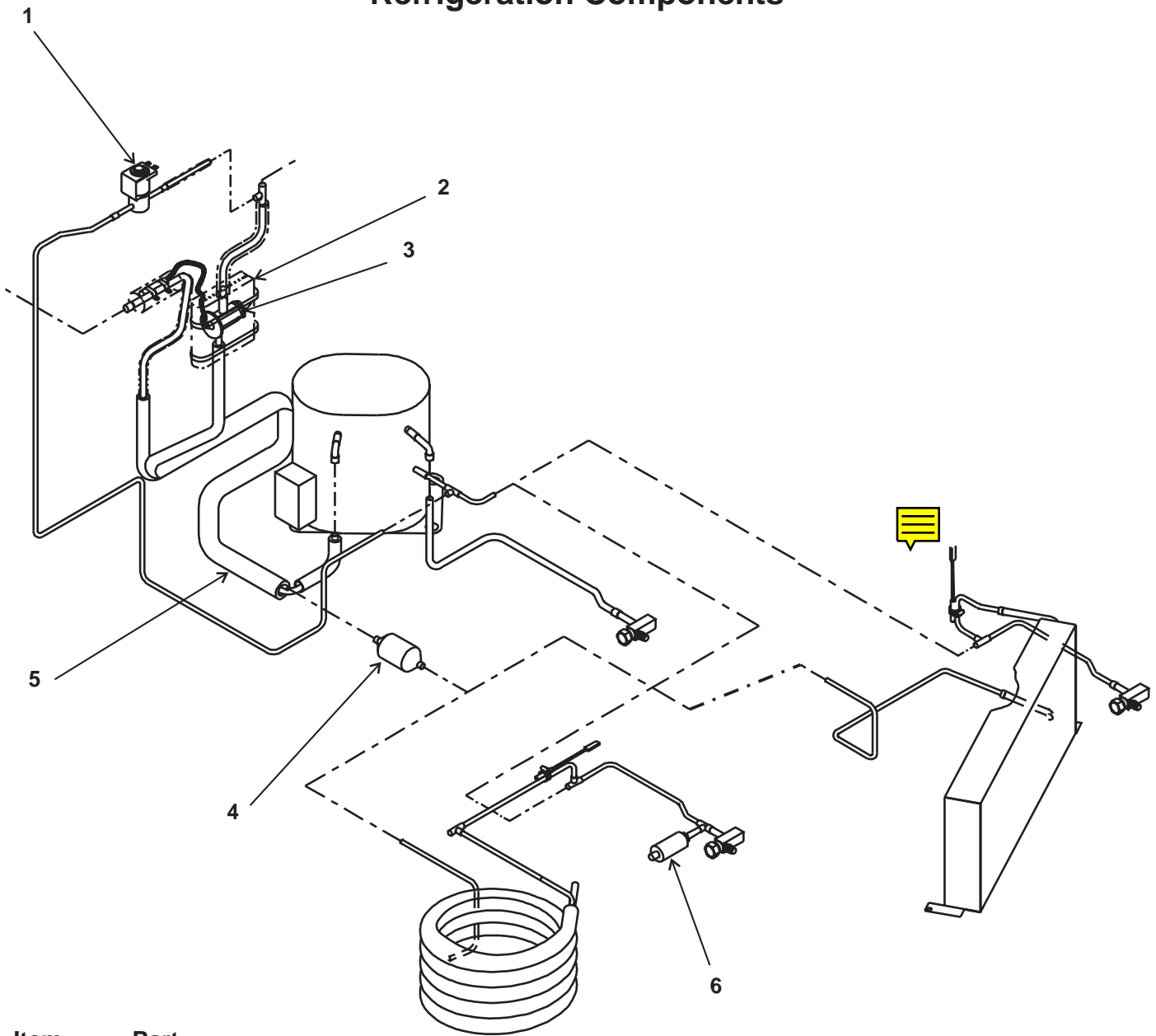
Water Cooled



Item Number	Part Number	Description
1	A31878-001	Drain fitting
2	03-1645-02	Screw
3	11-0478-21	Water regulating valve
4	16-0401-00	Elbow
5	18-8803-21	Condenser

SCE275 Service Parts

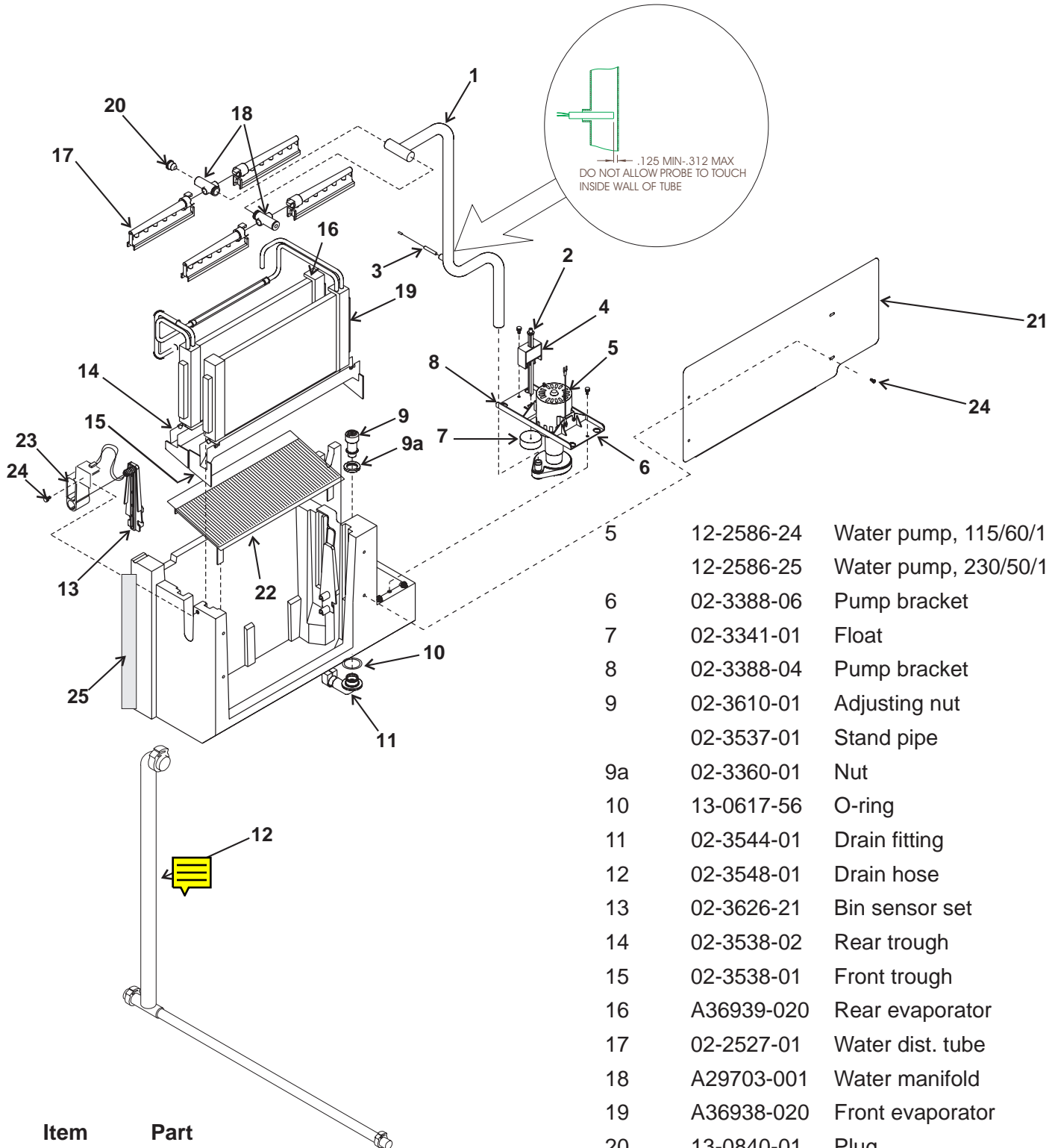
Refrigeration Components



Item Number	Part Number	Description
1	12-2471-21	Hot gas valve w/coil
	12-2719-23	Coil for hot gas valve
2	19-0599-04	Insulation, order 2 units
3	16-1009-22	TXV
4	02-3319-01	Drier
5	A36637-001	Suction line
6	11-0501-21	Hi pressure cut out (WC)

SCE275 Service Parts

Water System

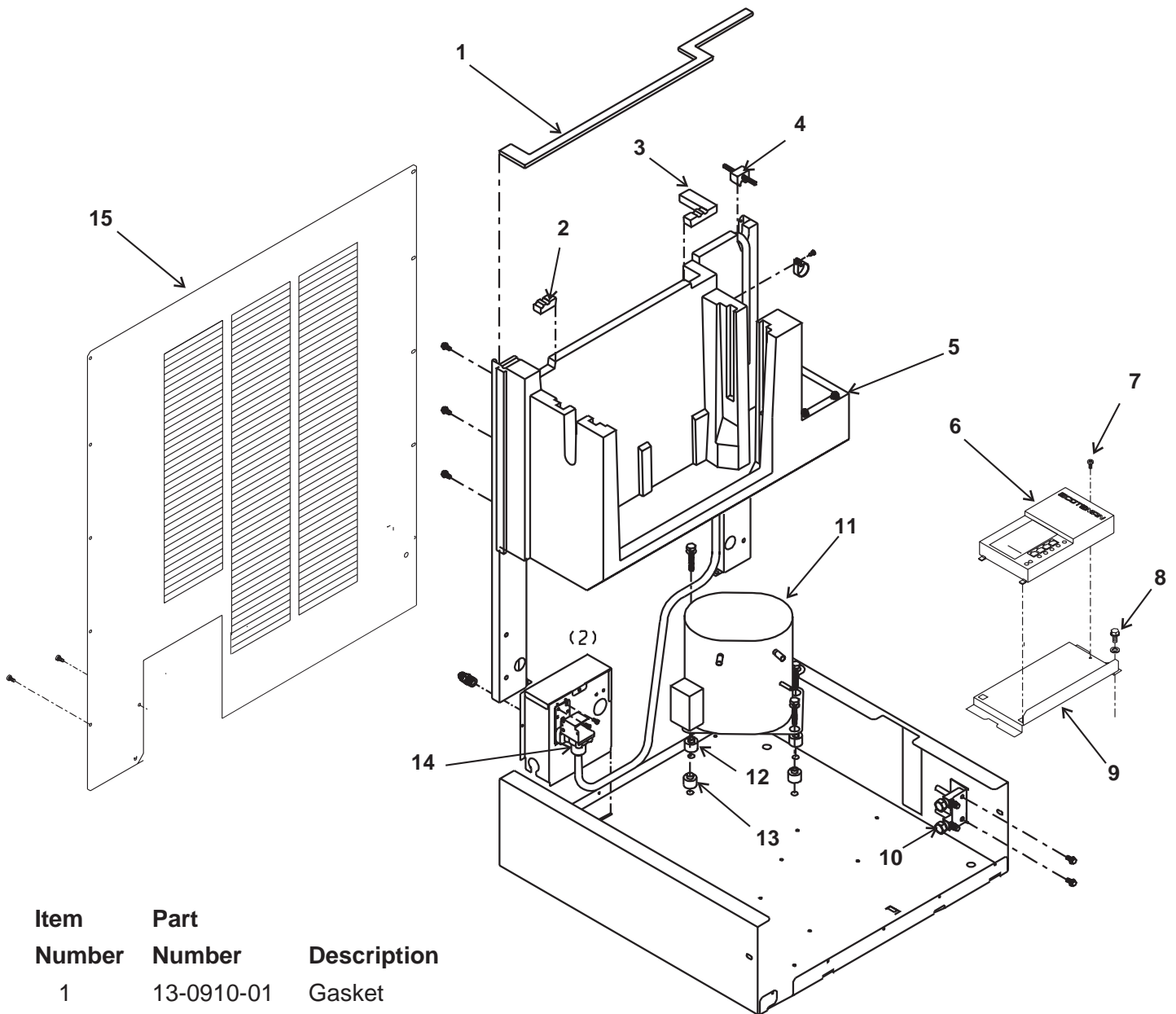


5	12-2586-24	Water pump, 115/60/1
	12-2586-25	Water pump, 230/50/1
6	02-3388-06	Pump bracket
7	02-3341-01	Float
8	02-3388-04	Pump bracket
9	02-3610-01	Adjusting nut
	02-3537-01	Stand pipe
9a	02-3360-01	Nut
10	13-0617-56	O-ring
11	02-3544-01	Drain fitting
12	02-3548-01	Drain hose
13	02-3626-21	Bin sensor set
14	02-3538-02	Rear trough
15	02-3538-01	Front trough
16	A36939-020	Rear evaporator
17	02-2527-01	Water dist. tube
18	A29703-001	Water manifold
19	A36938-020	Front evaporator
20	13-0840-01	Plug
21	02-3674-01	Evaporator cover
22	02-3337-03	Deflector
23	02-3528-01	Housing
24	03-1691-01	Nylon screw
25	02-3737-01	Filler gasket

Item Number	Part Number	Description
1	02-3547-01	Water hose
2	02-3383-23	Float stem
3	12-2556-21	Thermistor
4	02-3707-21	Water level sensor

SCE275 Service Parts

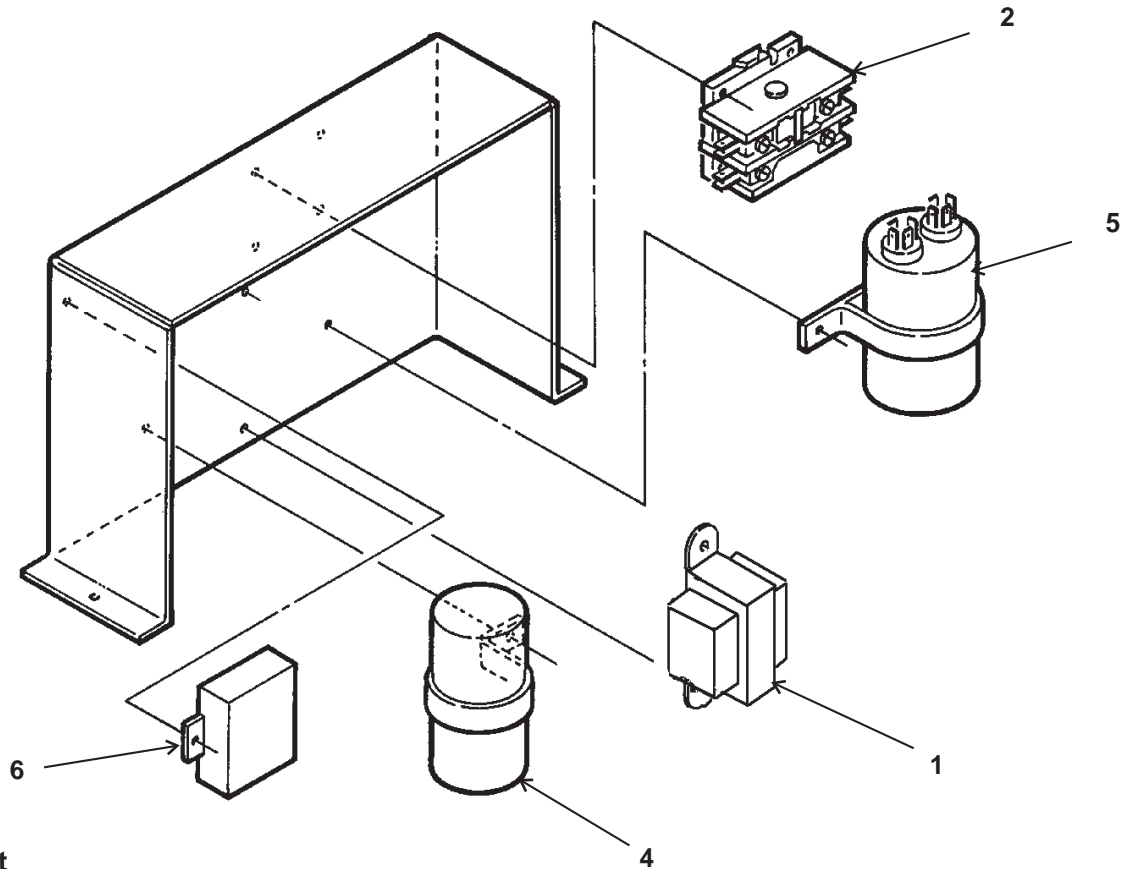
Compressor, Controller, Water Valve



Item Number	Part Number	Description
1	13-0910-01	Gasket
2	13-0911-01	Tube seal
3	13-0912-01	Tube seal
4	13-0913-01	Water inlet tube seal
5	A36784-001	Evaporator housing
6	12-2543-24	System controller
7	03-1638-03	Screw
8	03-1645-02	Screw
9	A36657-001	Bracket
10	16-0832-21	Service valve
10a	16-0832-03	Port cap
10b	16-0832-02	Stem cap
11	18-8774-21	Compressor, 115/60/1
	18-8774-23	Overload for 60 Hz
	18-8774-26	Compressor, 230/50/1
	18-8774-27	Overload for 50 Hz
12	03-1677-01	Screw - inserts from below
	03-1406-01	Hex nut
	03-1407-01	Washer
13	18-0108-41	Mounting sleeve
	18-2300-27	Grommet
14	12-2548-01	Inlet water valve
15	A36608-001	Back panel

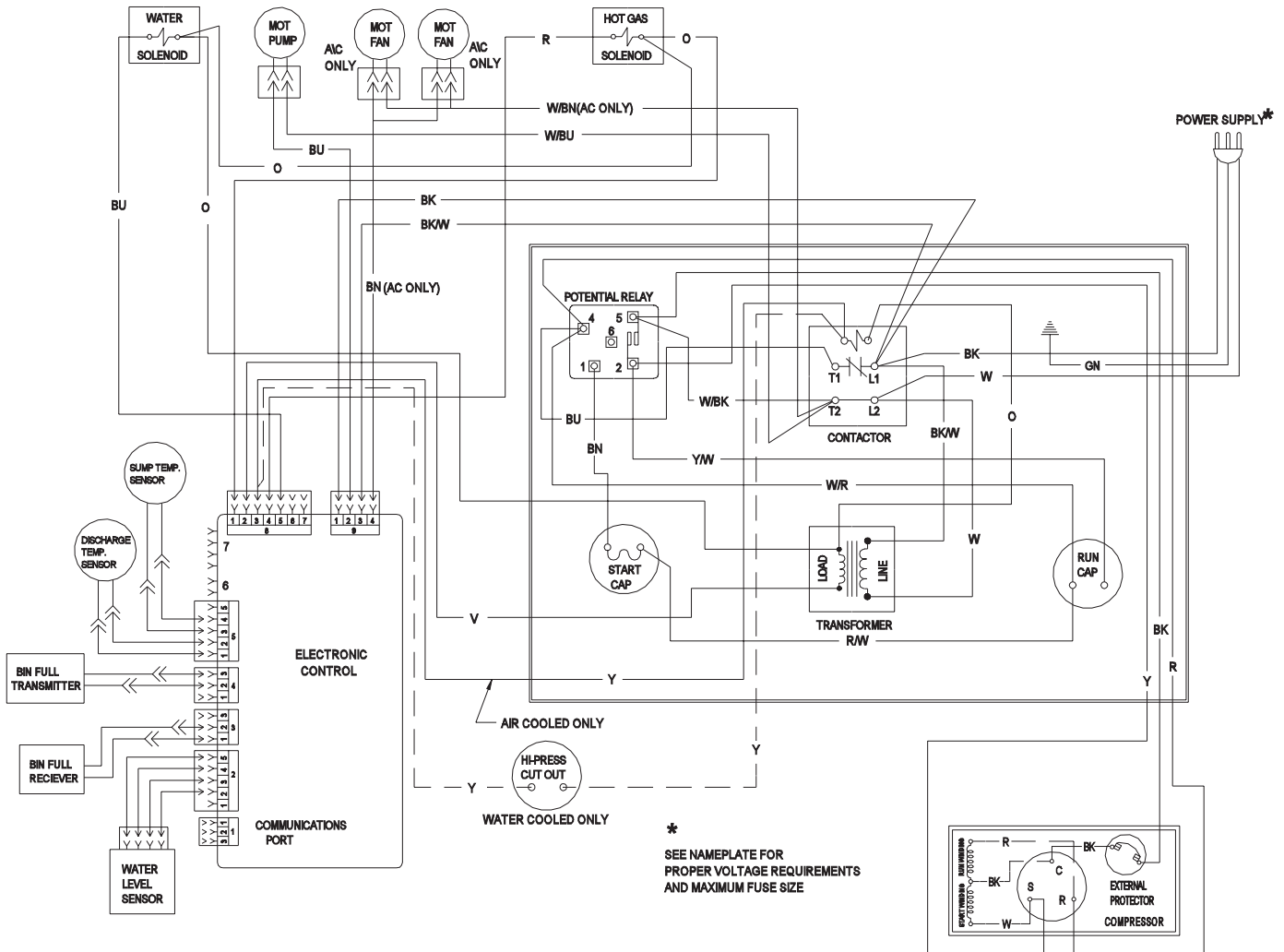
SCE275 Service Parts

Electrical Box



Item Number	Part Number	Description
1	12-2643-01	Tranformer, 115v (60 Hz)
	12-2643-02	Tranformer, 230v (50 Hz)
2.	12-2469-01	Contactur
3	12-2563-01	Control box harness
4	18-1901-55	Start capacitor, 60 Hz
	18-1901-56	Start capacitor, 50 Hz
5	18-1902-45	Run capacitor, 60 Hz
	18-1902-52	Run capacitor, 50 Hz
6	18-1903-52	Potential Relay, 60 Hz
	18-1903-53	Potential Relay, 50 Hz
7	12-1638-14	Power cord, 60 Hz
	12-1638-18	Power cord, 50 Hz
8.	12-2620-01	Main wire harness (not illustrated) WC
	12-2619-01	Main wire harness (not illustrated) AC

SCE275 Service Parts Wiring Diagram



USE COPPER CONDUCTORS ONLY

**THIS UNIT MUST
BE GROUNDED.**

CAUTION:

**MORE THAN ONE DISCONNECT MEANS MAY BE
REQUIRED TO DISCONNECT ALL POWER TO THIS UNIT.**

SCE275 Service Parts Schematic Diagram

