

AC125 Parts List

Table of Contents

Cabinet

Water System

Refrigeration System

Control Box

Wiring Diagrams

AC125

THE PARTS ILLUSTRATION AND PARTS LISTS

GENERAL

This section contains the Parts Illustrations and the Parts List for each of the major assemblies in the AC125 Cuber.

A *No Number* designation, when used in the Part Number Column indicates the unit is not available from SCOTSMAN as an assembly. This designation is used only for the convenience and clarity of division in cataloging.

HOW TO ORDER PARTS OR ASSEMBLIES

When ordering parts or assemblies, to avoid costly delays and errors in shipment, give the part number, the complete description shown in the list, and the quantities of each part or assembly required. Also include the model name, the serial number of the icemaker for which the part is required and for parts which require color matching, the color of the cabinet.

All part numbers have TEN DIGITS (spaces), required for use in the Computer System. BE SURE to fill in ALL SPACES in the CATALOG NUMBER column, on the parts order form.

Enter the QUANTITY of the parts ordered, in the last digit column under the QUANTITY column heading, the one under the small 55 number, for parts from 1 thru 9. For 10 or more parts use two columns.

To be sure you receive the proper parts in the proper quantities, ALWAYS use the PART NUMBERS and DESCRIPTIONS given in the Parts Manuals.

Write an order for the part. Use SCOTSMAN Parts Order Form (DN103). Be sure to include:

- Distributor Name.
- (Use for DROP-SHIP order ONLY.)
- Distributor Purchase Order Number.
- Carrier.
- How shipped (Truck, Rail, UPS, etc.)
- Date ordered.
- Part Catalog Number. (Use full TEN digits (spaces) listed in Parts Manual, including dashes between numbers.)
- Description - as listed in Parts Manual.
- Quantity - number of parts ordered. (Use far right column.)

WIRING DIAGRAMS

This section is provided as an aid in understanding the electrical circuitry.

The wiring diagrams in this Section are:
AC125-1A (115/60/1) Air-Cooled

//////////////////// WARNING //////////////////////

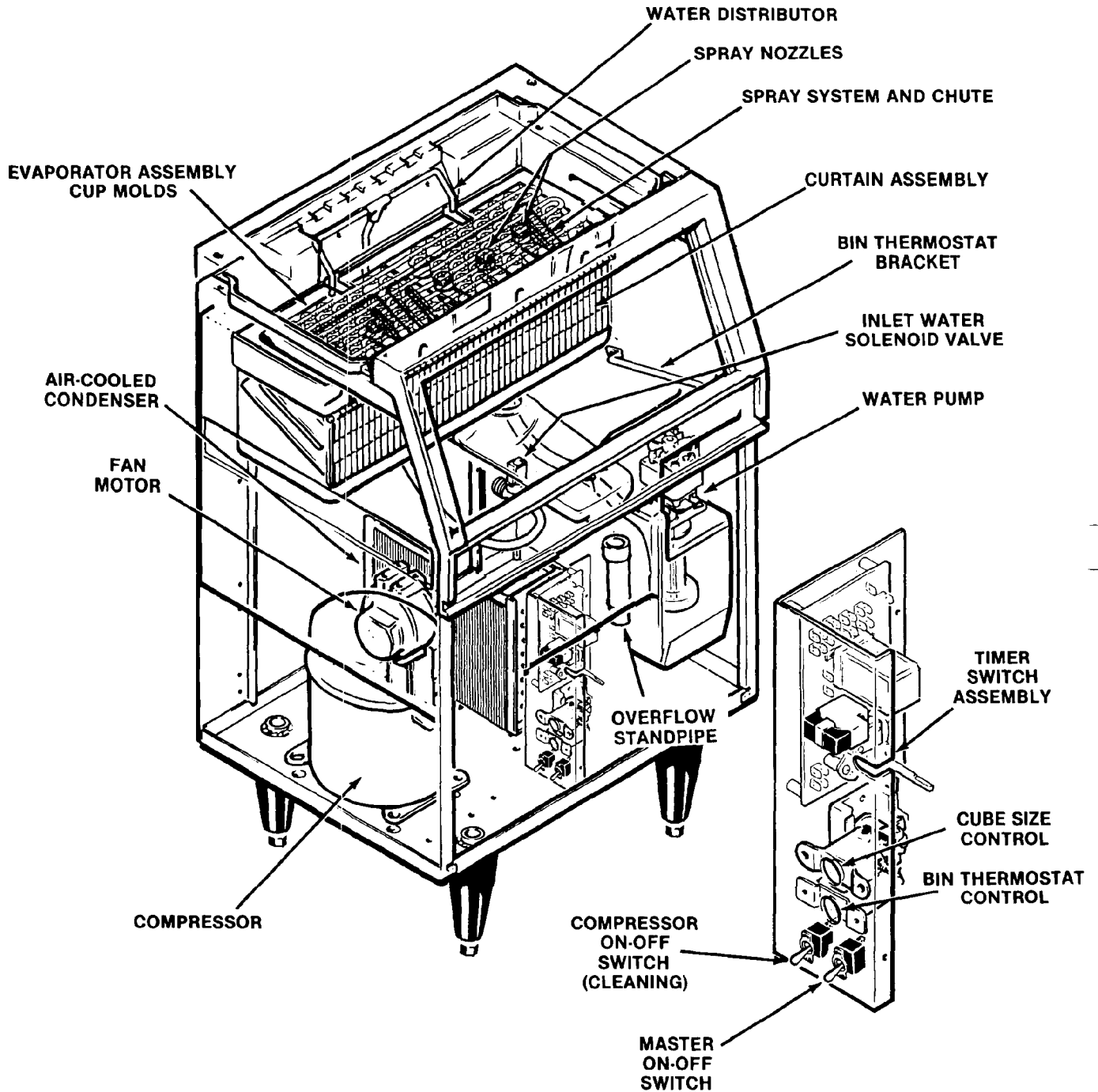
When conducting a continuity check of the modular cuber:

1. Disconnect the main power source.
2. DO NOT use an incandescent lamp or jumper wire, conduct all tests with a volt-ohm-meter.

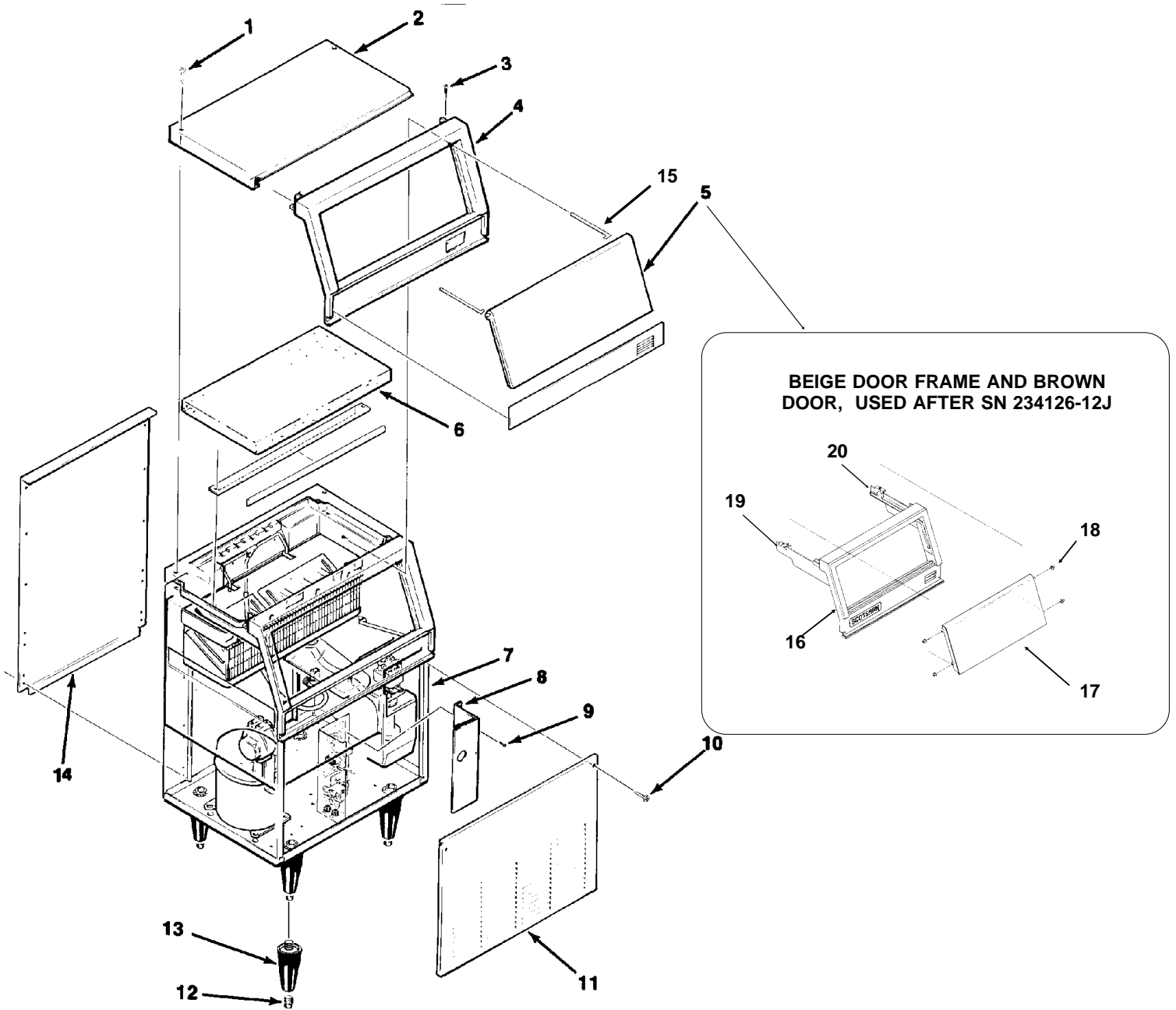
////////////////////////////////////

AC125

THE PARTS ILLUSTRATION AND PARTS LISTS



AC125 SERVICE PARTS CABINET

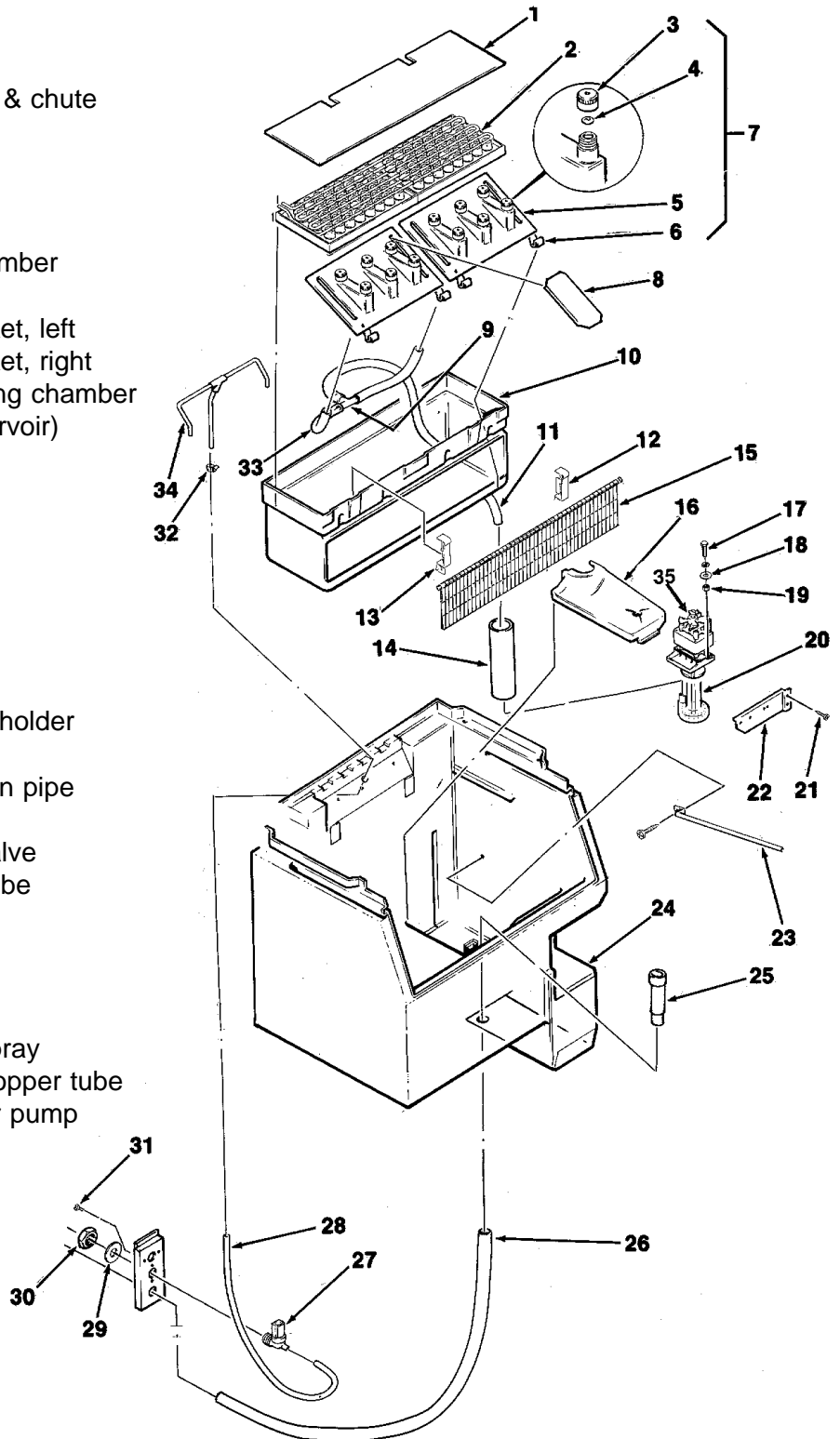


ITEM NUMBER	PART NUMBER	DESCRIPTION	ITEM NUMBER	PART NUMBER	DESCRIPTION
1	0470002-01	Screw	11	0701796-00	Front Panel, painted
2	0701798-00	Top Panel, painted		0701796-01	Front Panel, stainless
	0701798-01	Top Panel, stainless	12	0660258-01	Leg Leveler (ea)
3	no number	Screw	13	0660466-00	Leg (ea)
4	use item 5	(for brown frame)	14	obsolete	Rear Panel
5	Brown door for 0001027-01	for brown frame is obsolete Door & Frame Kit to replace brown frame or door	15	0724186-02	Door Pin
6	0794245-01	Insulation	16	0782078-01	Door Frame (beige)
7	obsolete	Unit Frame	17	0792009-08	Door for beige frame
8	obsolete	Control box cover	18	0660286-00	Door Bushing (4)
9	obsolete	Screw	19	0660523-00	Right door track
10	0470002-00	Screw	20	0660523-01	Left door track

AC125 SERVICE PARTS

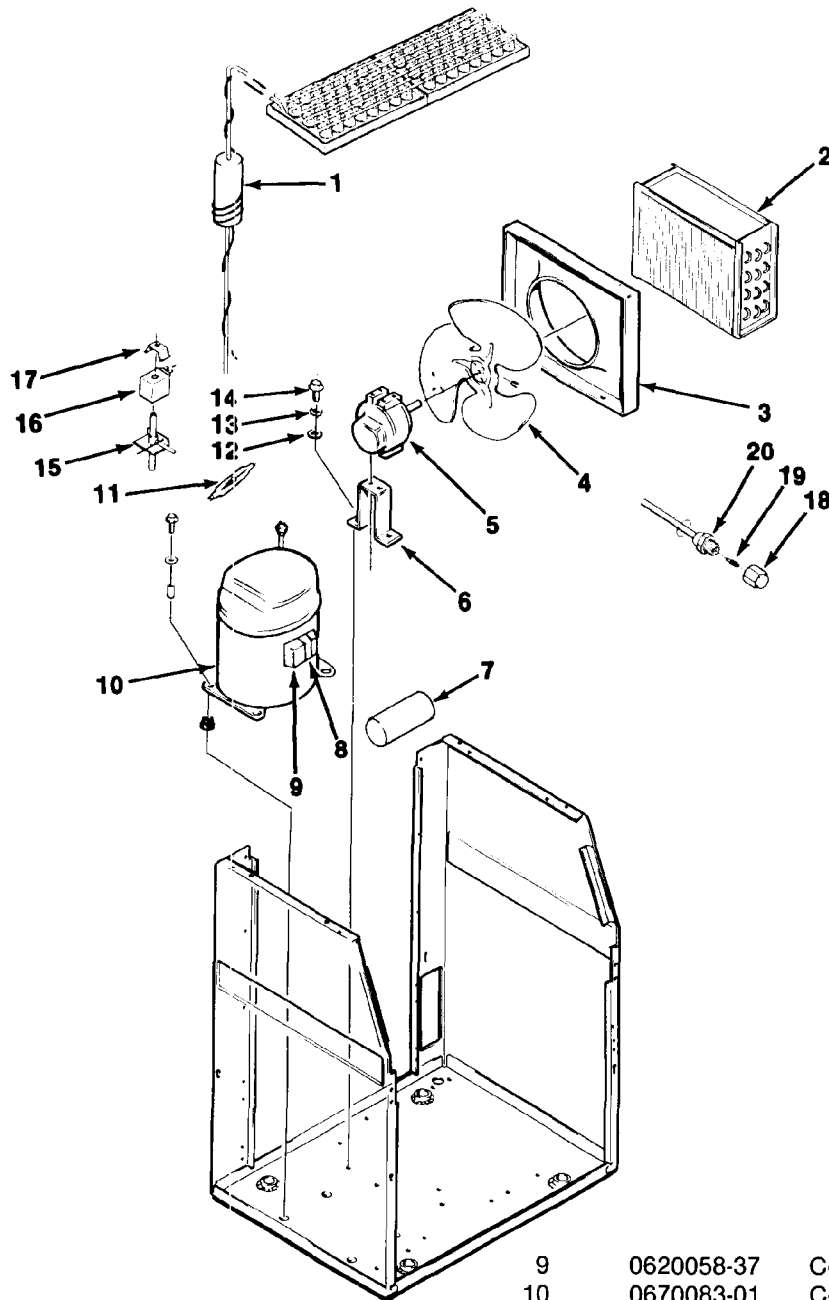
Water System

ITEM NUMBER	PART NUMBER	DESCRIPTION
1	0741075-00	Evaporator cover
2	0784283-00	Evaporator
3	0660155-03	Jet cap
4	0660296-01	Spinner
5	0793129-01	Spraysystem & chute
6	0723073-00	Chute hook
7	same as item 5	
8	0723105-00	Chute filler
9	0610053-02	T pipe
10	0660382-00	Freezing chamber
11	0610155-00	Hose
12	0660388-00	Curtain bracket, left
13	0660388-01	Curtain bracket, right
14	0743112-01	Tube, (freezing chamber to water reservoir)
15	F784250-03R	Curtain
16	0660433-00	Sump cover
17	0420102-00	Screw
18	0723037-00	Washer
19	0420034-00	Nut
20	A32588-021	Water Pump
21	0470019-00	Screw
22	0784288-00	Pump plate
23	0732017-01	Bin stat bulb holder
24	0782060-02	Storage bin
25	0660387-00	Overflow drain pipe
26	0610148-01	Drain tube
27	A32405-002	Inlet water valve
28	0743118-07	Water inlet tube
29	0400071-01	Fiber washer
30	0400070-00	Drain nut
31	0660224-00	Water drain
32	0460017-00	Clamp
33	0610156-00	Tube, T to spray
34	0783136-00	Water inlet copper tube
35	0001018-00	Fan blade for pump



AC125

THE PARTS ILLUSTRATIONS AND PARTS LISTS



REFRIGERATION SYSTEM

1	0784253-01	Suction/Accumulator	9	0620058-37	Compressor Overload
2	0620288-00	Condenser	10	0670083-01	Compressor
3	0660411-00	Condenser Shroud	11	0630003-03	Drier
4	0620346-00	Fan Blade	12	0440003-00	Washer
5	0794255-01	Fan Motor	13	0440026-00	Lockwasher
6	<i>No Number</i>	Bracket, Fan	14	0420005-00	Screw
7	0620167-08	Capacitor	15	12-2007-01	Hot Gas Valve Body
8	0620057-27	Compressor Relay	16	12-2008-01	Hot Gas Valve Coil
			17	12-2009-01	Spring Clip
			18	16-0563-00	Valve Cap
			19	0670012-00	Valve Core
			20	0650109-00	Valve Body

AC125

THE PARTS ILLUSTRATIONS AND PARTS LISTS

CONTROL BOX

ITEM NUMBER	PART NUMBER	DESCRIPTION
1	12-1912-01	Circuit Board
2	12-1879-02	Holding Relay
3	12-1979-01	Timer
4	0620210-02	Compressor Relay
5	0620033-01	Switch
6	0620075-00	Pressure Control
7	0620125-01	Cube Size Control
8	0630005-00	Bin Thermostat

