

AF430 Parts List

Table of Contents

Cabinet

Air Cooled Parts

Water Cooled Parts

Compressor

Spout

Freezer

Gearmotor

Control Box

Wiring Diagrams

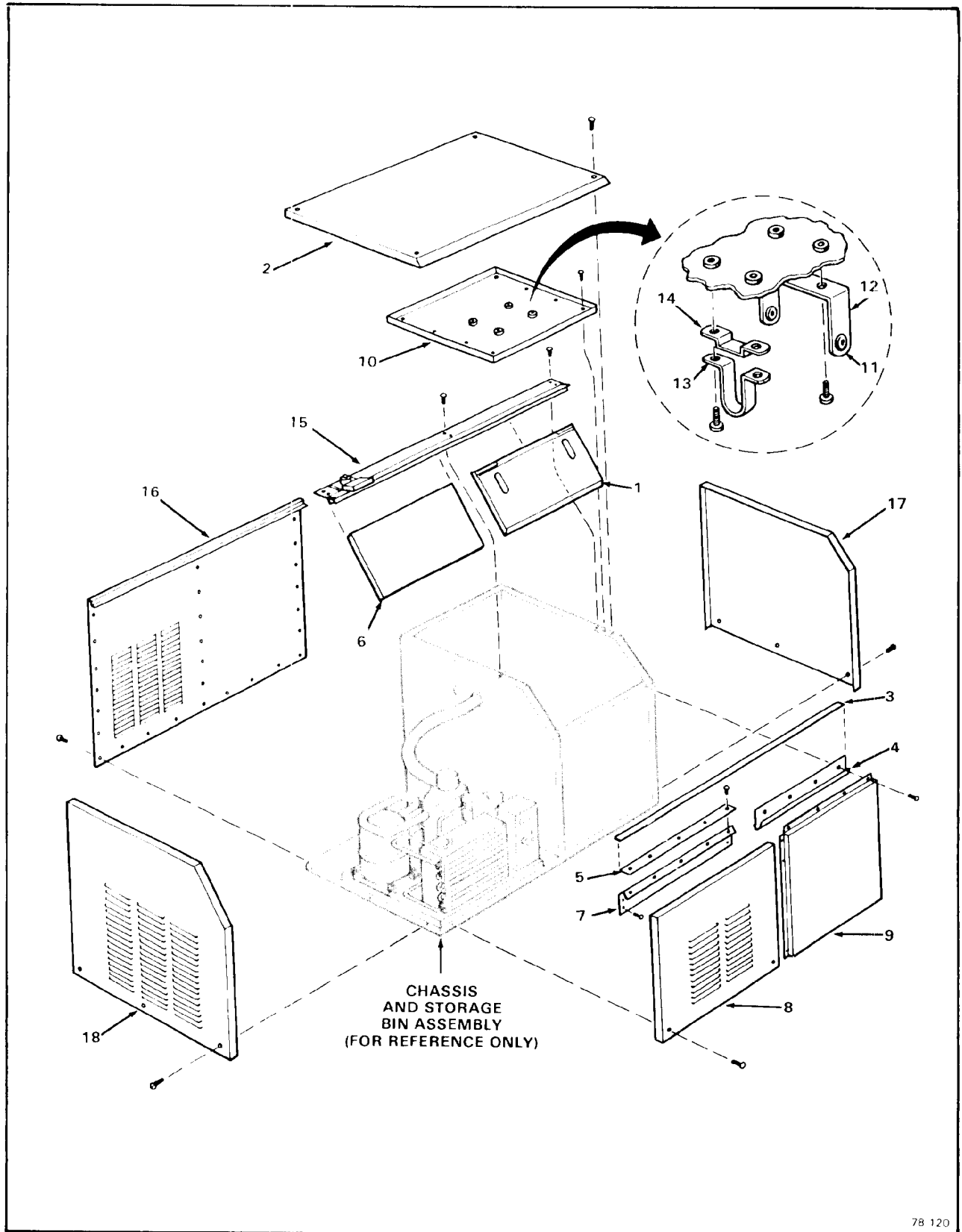


Figure 8-1. AF-430 Cabinet.

Figure 8-1. AF-430 Cabinet.

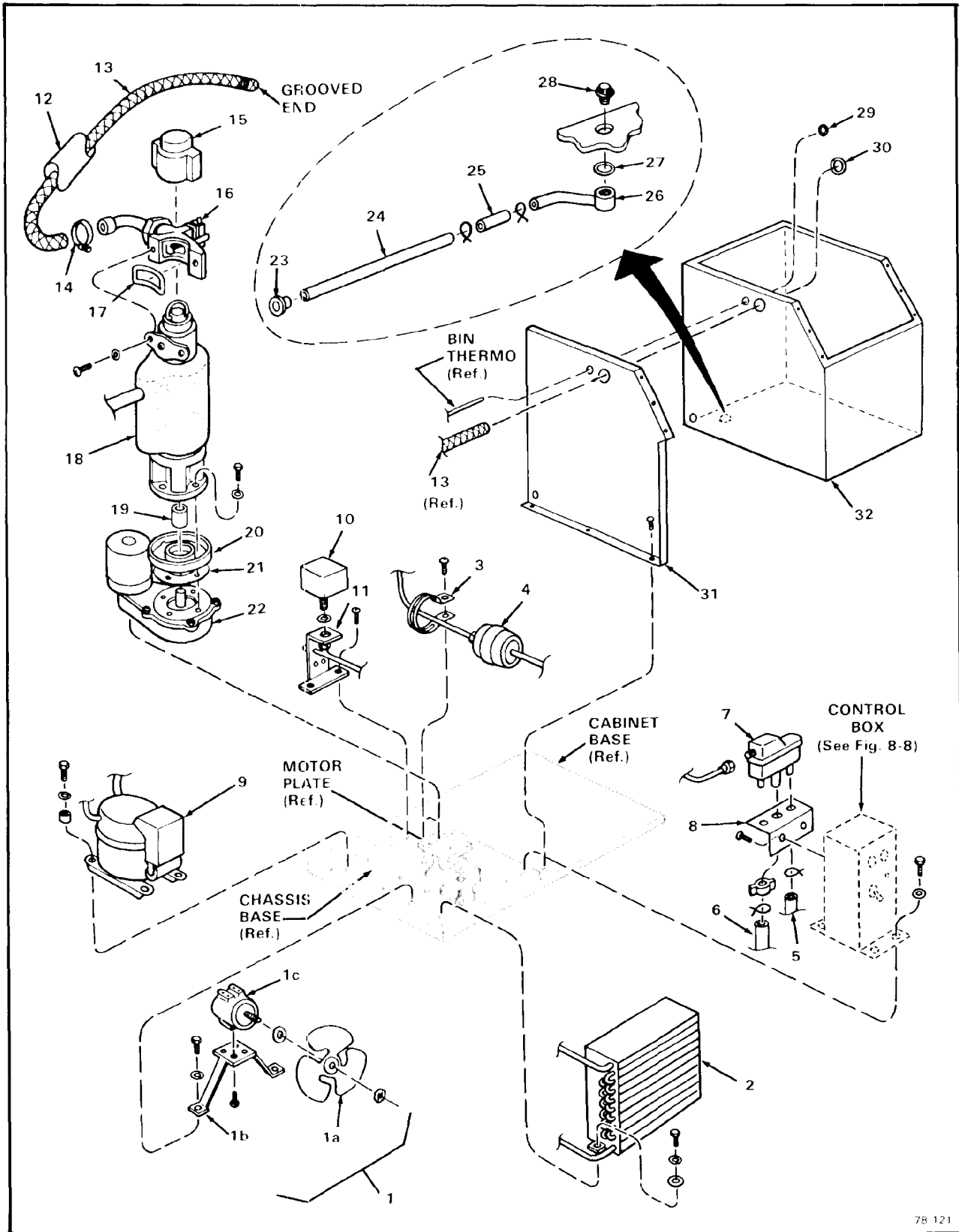
| INDEX NO. | DESCRIPTION | PART NUMBER | REQ'D NUMBER |
|-----------|---|--|--------------|
| | AF-430 Cabinet * * * | No Number | 1 |
| 1 | Door, Ice Access (Orange w/C.R.S. Painted Cabinet) Door, Ice Access (Gray w/Stainless Steel Cabinet) * * * | 02-2130-01 02-2130-02 | 1 1 |
| 2 | Panel, Top (C.R.S.) Painted) Panel, Top (Stainless Steel) attaching parts, Index 2 Screw, No. 8 x 1-3/4 S/T Flat Hd * * * | A24799-004 A24799-005 03-1419-19 | 1 1 4 |
| 3 | Insert, Plastic (43.44 in. lg.) * * * | 15-0324-00 | 1 |
| 4 | Strip, Moulding — Right Side attaching parts, Index 4 & 9 Screw, No. 8 x 3/8 S/T Flat Hd * * * | 15-0620-01 03-1419-05 | 1 4 |
| 5 | Strip, Moulding — Left Side attaching parts, Index 5 to 8 Screw, No. 8 x 3/8 S/T Flat Hd * * * | 15-0578-01 03-1419-05 | 1 5 |
| 6 | Panel, Upper — Left Front (C.R.S. Painted) Panel, Upper — Left Front (Stainless Steel) * * * | A24795-003 A24795-002 | 1 1 |
| 7 | Bracket, Left Front attaching parts, Index 5 & 7 Screw, No. 8 x 1/2 T/F Tap * * * | A24787-001 03-1404-09 | 1 4 |
| 8 | Panel, Lower — Left Front (C.R.S. Painted) Panel, Lower — Left Front (Stainless Steel) | A24796-003 A24796-004 | 1 1 |

Figure 8-1. AF-430 Cabinet. (cont'd)

| INDEX NO. | DESCRIPTION | PART NUMBER | REQ'D NUMBER |
|-----------|--|-------------|--------------|
| | attaching parts, Index 8 | | |
| | Screw, No. 8 x 1-1/2 S/T Flat Hd | 03-1419-16 | 2 |
| | *** | | |
| 9 | Panel, Right Front (C.R.S. Painted) | A24794-003 | 1 |
| | Panel, Right Front (Stainless Steel) | A24794-002 | 1 |
| | attaching parts, Index 4 & 9 | | |
| | Screw, No. 8 x 3/8 S/T Flat Hd | 03-1419-05 | Ref. |
| | *** | | |
| 10 | Cover, Storage Bin | A27980-001 | 1 |
| | attaching parts, Index 10 | | |
| | Screw, No. 8 x 1/2 T/F Tap | 03-1404-09 | 10 |
| | *** | | |
| 11 | Grommet | 13-0557-00 | 2 |
| 12 | Bracket, Bin Thermo | A27924-001 | 1 |
| 13 | Holder, Tube | A27922-001 | 1 |
| 14 | Retainer, Tube | A27923-001 | 1 |
| | attaching parts, Index 12, 13, 14 to 10 | | |
| | Screw, Thumb -- No. 10-24 x 1/2 Knurled Hd | 03-0727-00 | 4 |
| | *** | | |
| 15 | Track Assembly, Door | A28823-001 | 1 |
| | attaching parts, Index 15 | | |
| | Screw, No. 8 x 1/2 T/F Tap | 03-1404-09 | 6 |
| | *** | | |
| 16 | Panel, Back (Galvanized Steel) | A27033-003 | 1 |
| | attaching parts, Index 16 | | |
| | Lockwasher, No. 8 External Tooth -- Carbon Steel Zinc Plated | 03-1417-03 | 4 |
| | Screw, No. 8 x 1/2 T/F Tap | 03-1404-09 | 27 |
| | *** | | |
| 17 | Panel, Right Side (C.R.S. Painted) | A24800-003 | 1 |
| | Panel, Right Side (Stainless Steel) | A24800-002 | 1 |

Figure 8-1. AF-430 Cabinet. (cont'd)

| INDEX NO. | DESCRIPTION | PART NUMBER | REQ'D NUMBER |
|-----------|--|-------------|--------------|
| 18 | attaching parts, Index 17 | | |
| | Screw, No. 8 x 1/2 T/F Tap (SS) | 03-1404-10 | 5 |
| | * * * | | |
| | Panel, Left Side (C.R.S. Painted) | A27034-003 | 1 |
| | Panel, Left Side (Stainless Steel) | A27034-002 | 1 |
| | attaching parts, Index 18 | | |
| | Lockwasher, No. 8 External Tooth -- Carbon Steel Zinc Plated | 03-1417-03 | 2 |
| | Screw, No. 8 x 1/2 T/F Tap (SS) | 03-1404-10 | 3 |



78 121

Figure 8-2. Major Assemblies - Air-Cooled Models.

Figure 8-2. Major Assemblies — Air-Cooled Models

| INDEX NO. | DESCRIPTION | PART NUMBER | REQ'D NUMBER |
|-----------|---|-------------|--------------|
| | Major Assemblies - Air-Cooled Models * * * | No. Number | Ref. |
| 1 | Bracket Assembly, Fan Motor and Mounting | No Number | 1 |
| 1a | Blade, Fan | 18-3309-01 | 1 |
| | Pad, Vibration (p/o Fan Motor) | No Number | 1 |
| | Nut, Fan Mounting (p/o Fan Blade) | No Number | 1 |
| 1b | Bracket, Fan Mounting | 18-0422-00 | 1 |
| 1c | Motor, Fan | 12-1576-01 | 1 |
| | attaching parts, Index 1c to 1b | | |
| | Screw (p/o Fan Motor) | No Number | 4 |
| | attaching parts, Index 1 to Chassis base | | |
| | Lockwasher, No. 1/4 External Tooth - Carbon Steel Zinc Plated | 03-1417-09 | 2 |
| | Screw, No. 1/4-20 x 1/2 T/C Hex Hd | 03-0571-00 | 2 |
| | * * * | | |
| 2 | Condenser - Air-Cooled | 18-3717-01 | 1 |
| | attaching parts, Index 2 | | |
| | Lockwasher, No. 1/4 External Tooth - Carbon Steel Zinc Plated | 03-1417-09 | 2 |
| | Screw, No. 1/4-20 x 1/2 T/C Hex Hd | 03-0571-00 | 2 |
| | * * * | | |
| 3 | Brace, Drier | A09386-000 | 1 |
| 4 | Drier | 02-2426-01 | 1 |
| | attaching parts, Index 3 and 4 | | |
| | Screw, No. 10-16 x 3/4 S/T | 03-1360-01 | 1 |
| | * * * | | |
| 5 | Tube (Reservoir Overflow to Drip Pan) | 13-0079-03 | 1 |
| 6 | Tube (Reservoir to Freezer Inlet) | 13-0674-09 | 1 |
| | attaching parts, Index 5 and 6 | | |
| | Clamp (Index 5) | 02-0535-00 | 1 |
| | Clamp (Index 6) | 02-0694-00 | 2 |
| | * * * | | |

Figure 8-2. Major Assemblies — Air-Cooled Models (Cont'd)

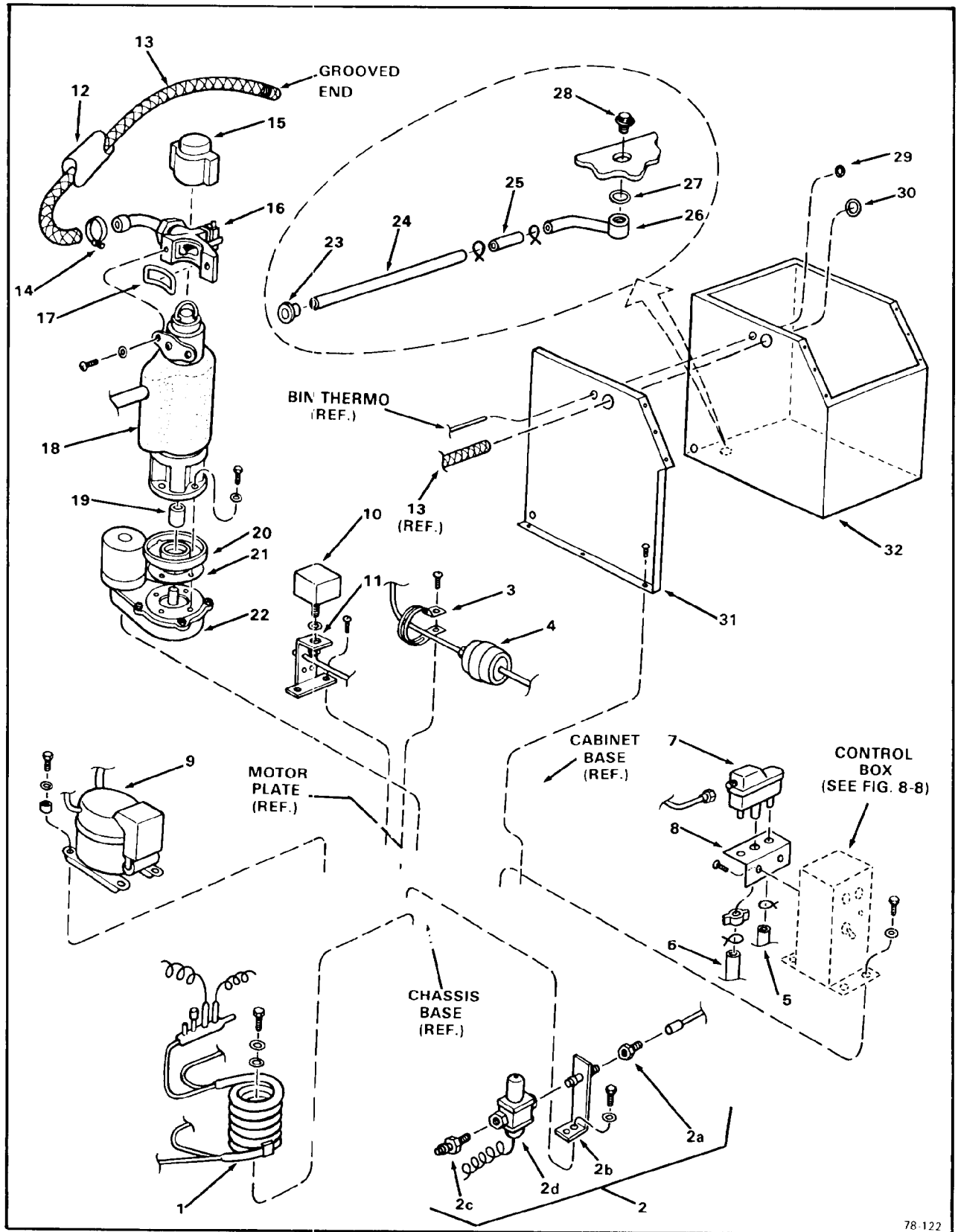
| INDEX NO. | DESCRIPTION | PART NUMBER | REQ'D NUMBER |
|-----------|--|-------------|--------------|
| 7 | Reservoir | 02-2217-01 | 1 |
| | Valve Assembly, Float (Not Shown) | 02-2217-02 | 1 |
| | attaching parts, Index 7 | | |
| | Wing Nut (p/o Reservoir) | No Number | 1 |
| | *** | | |
| 8 | Bracket, Mounting | A20959-000 | 1 |
| | attaching parts, Index 8 | | |
| | Screw, No. 8-18 x 1/2 Phil Pan Hd | 03-1572-01 | 2 |
| | *** | | |
| 9 | Compressor (See Figure 8-4) | 18-4500-01 | 1 |
| | attaching parts, Index 9 | | |
| | Grommet | 18-2200-28 | 4 |
| | Sleeve, Mounting | 18-2200-27 | 4 |
| | Lockwasher, No. 5/16 External Tooth - Carbon Steel Zinc Plated | 03-1417-12 | 4 |
| | Washer, Special | 03-1408-24 | 4 |
| | Screw, No. 5/16-18 x 1-3/4 Hex Cap | 03-1405-40 | 4 |
| | *** | | |
| 10 | Control, Pressure - H ² O | 11-0296-00 | 1 |
| 11 | Bracket, Utility | A27993 001 | 1 |
| | O-Ring | 13 0617 26 | 1 |
| | attaching parts, Index 10 and 11 | | |
| | Nut, Pal | 03-1394-00 | 1 |
| | Screw, No. 10-16 x 3/4 S/T | 03-1360-01 | 2 |
| | *** | | |
| 12 | Covering, Tube | 13-0279-00 | 1 |
| 13 | Tube, Ice | A28042-006 | 1 |
| | attaching parts, Index 12 and 13 | | |
| 14 | Clamp, Hose | 02-0179-02 | 1 |
| | *** | | |

Figure 8-2. Major Assemblies — Air-Cooled Models (Cont'd)

| INDEX NO. | DESCRIPTION | PART NUMBER | REQ'D NUMBER |
|-----------|--|-------------|--------------|
| 15 | Cap, Freezer * * * | 13-0815-01 | 1 |
| 16 | Spout Assembly (See Figure 8-5) | No Number | 1 |
| 17 | Gasket, Spout attaching parts, Index 16 and 17 | 13-0679-00 | 1 |
| | Washer, No. 1/4 Internal Tooth - Phosphor Bronze | 03-1417-07 | 2 |
| | Screw, No. 1/4-20 x 1 Soc-Hd Cap (SS) | 03-1544-03 | 2 |
| | * * * | | |
| 18 | Freezer Assembly (See Figure 8-6) attaching parts, Index 18 | No Number | 1 |
| | Lockwasher, No. 5/16 External Tooth - Carbon Steel Zinc Plated | 03-1417-12 | 3 |
| | Screw, No. 5/16-18 x 3/4 Hex Cap | 03-1420-04 | 3 |
| | * * * | | |
| 19 | Coupling * * * | 15-0575-01 | 1 |
| 20 | Pan, Drip * * * | A18153-000 | 1 |
| 21 | Gasket * * * | 13-0628-00 | 1 |
| 22 | Drivemotor Assembly (See Figure 8-7) attaching parts, Index 22 | A31977-021 | 1 |
| | Lockwasher, No. 1/4 External Tooth - Carbon Steel Zinc Plated | 03-1417-09 | 4 |
| | Screw, No. 1/4-20 x 1/2 Hex Cap | 03-1405-03 | 4 |
| | * * * | | |
| 23 | Bushing, Snap * * * | 12-1213-10 | 1 |
| 24 | Tube, Bin Drain | No Number | 1 |

Figure 8-2. Major Assemblies — Air-Cooled Models (Cont'd)

| INDEX NO. | DESCRIPTION | PART NUMBER | REQ'D NUMBER |
|-----------|---|-------------|--------------|
| 25 | Tube, Tygon attaching parts, Index 24, 25, 26 | 13-0674-06 | 1 |
| | Clamp, Hose * * * | 02-1338-00 | 2 |
| 26 | Drain Bin | A27018-001 | 1 |
| 27 | O-Ring attaching parts, Index 26, 27, 28 to 32 | 13-0617-11 | 1 |
| 28 | Top, Drain (screws into Index 26) * * * | 02-1741-00 | 1 |
| 29 | Grommet * * * | 13-0557-01 | 1 |
| 30 | Pad, Sealing * * * | 13-0806-01 | 1 |
| 31 | Retainer, Insulation attaching parts, Index 31 | No Number | 1 |
| | Screw, No. 8 x 1/2 T/F Tap * * * | 03-1404-09 | 3 |
| 32 | Bin, Storage * * * | 02-2762-02 | 1 |
| | NOTE: See Figure 8-8 for replacement parts within the Control Box Assembly. | | |



78-122

Figure 8-3. Major Assemblies - Water-Cooled

Figure 8-3. Major Assemblies — Water-Cooled Models

| INDEX NO. | DESCRIPTION | PART NUMBER | REQ'D NUMBER |
|-----------|--|--|--------------|
| | Major Assemblies - Water-Cooled Model * * * | No Number | Ref. |
| 1 | Condenser - Water-Cooled attaching parts, Index 1 Lockwasher, No. 1/4 External Tooth - Carbon Steel Zinc Plated Screw, No. 1/4-20 x 1/2 T/C Hex Hd * * * | 18-3303-02 03-1417-09 03-0571-00 | 1 2 2 |
| 2 | Regulator Assembly, Water attaching parts, Index 2 Lockwasher, No. 1/4 External Tooth - Carbon Steel Zinc Plated Screw, No. 1/4-20 x 1/2 T/C Hex Hd | No Number 03-1417-09 03-0571-00 | 1 2 2 |
| 2a | Union, Half - No. 5/8-18 x 3/8 Flare | 16-0677-01 | 1 |
| 2b | Nipple Assembly, Pipe (w/Bracket) | A15924-000 | 1 |
| 2c | Coupling - 3/8 NPT x 3/8 Flare Brass | 16-0355-00 | 1 |
| 2d | Valve, Water Regulator * * * | 11-0198-02 | 1 |
| 3 | Brace, Drier | A09386-000 | 1 |
| 4 | Drier attaching parts, Index 3 and 4 Screw, No. 10-16 x 3/4 S/T * * * | 02-2426-01 03-1360-01 | 1 1 |
| 5 | Tube (Reservoir Overflow to Drip Pan) | 13-0079-03 | 1 |
| 6 | Tube (Reservoir to Freezer Inlet) attaching parts, Index 5 and 6 Clamp (Index 5) Clamp (Index 6) * * * | 13-0674-09 02-0535-00 02-0694-00 | 1 1 2 |
| 7 | Reservoir Valve Assembly, Float (Not shown) | 02-2217-01 02-2217-02 | 1 1 |

Figure 8-3. Major Assemblies — Water-Cooled Models (Cont'd)

| INDEX NO. | DESCRIPTION | PART NUMBER | REQ'D NUMBER |
|-----------|--|-------------|--------------|
| | attaching parts, Index 7 | | |
| | Wing Nut (p/o Reservoir) | No Number | 1 |
| | * * * | | |
| 8 | Bracket, Mounting | A20959-000 | 1 |
| | attaching parts, Index 8 | | |
| | Screw, No. 8-18 x 1/2 S/T Phil Pan Hd | 03-1572-01 | 2 |
| | * * * | | |
| 9 | Compressor (See Figure 8-4) | 18-4500-01 | 1 |
| | attaching parts, Index 9 | | |
| | Grommet | 18-2200-28 | 4 |
| | Sleeve, Mounting | 18-2200-27 | 4 |
| | Lockwasher, No. 5/16 External Tooth - Carbon Steel Zinc Plated | 03-1417-12 | 4 |
| | Washer, Special | 03-1408-24 | 4 |
| | Screw, No. 5/16-18 x 1-3/4 Hex Cap | 03-1405-40 | 4 |
| | * * * | | |
| 10 | Control, Pressure - H ² O | 11-0296-00 | 1 |
| 11 | Bracket, Utility | A27993-001 | 1 |
| | O Ring | 13-0617-26 | 1 |
| | Bushing, Snap | 12-1213-06 | 2 |
| | attaching parts, Index 10 and 11 | | |
| | Nut, Pal | 03-1394-00 | 1 |
| | Screw, No. 10-16 x 3/4 S/T | 03-1360-01 | 2 |
| | * * * | | |
| 12 | Covering, Tube | 13-0279-00 | 1 |
| 13 | Tube, Ice | A28042-001 | 1 |
| | attaching parts, Index 12 and 13 | | |
| 14 | Clamp, Hose | 02-0179-02 | 1 |
| | * * * | | |
| 15 | Cap, Freezer | 13-0815-01 | 1 |
| | * * * | | |

Figure 8-3. Major Assemblies — Water-Cooled Models (Cont'd)

| INDEX NO. | DESCRIPTION | PART NUMBER | REQ'D NUMBER |
|-----------|--|--|--------------|
| 16 | Spout Assembly (See Figure 8-5) attaching parts, Index 16 and 17 | No Number | 1 |
| 17 | Gasket, Spout Washer, No. 1/4 Internal Tooth - Phosphor Bronze Screw, No. 1/4-20 x 1 Soc-Hd Cap * * * | 13-0679-00 03-1417-07 03-1544-03 | 1 2 2 |
| 18 | Freezer Assembly (See Figure 8-6) attaching parts, Index 18 Lockwasher, No. 5/16 External Tooth - Carbon Steel Zinc Plated Screw, No. 5/16-18 x 3/4 Hex Cap * * * | No Number 03-1417-12 03-1420-04 | 1 3 3 |
| 19 | Coupling * * * | 15-0575-01 | 1 |
| 20 | Pan, Drip * * * | A18153-000 | 1 |
| 21 | Gasket * * * | 13-0628-00 | 1 |
| 22 | Drivemotor Assembly (See Figure 8-7) attaching parts, Index 22 Lockwasher, No. 1/4 External Toth - Carbon Steel Zinc Plated Screw, No. 1/4-20 x 1/2 Hex Cap * * * | A31977-021 03-1417-09 03-1405-03 | 1 4 4 |
| 23 | Bushing, Snap * * * | 12-1213-10 | 1 |
| 24 | Tube, Bin Drain * * * | No Number | 1 |

Figure 8-3. Major Assemblies — Water-Cooled Models (Cont'd)

| INDEX NO. | DESCRIPTION | PART NUMBER | REQ'D NUMBER |
|---|--|------------------------------|--------------|
| 25 | Tube, Tygon attaching parts, Index 24, 25, 26 Clamp Hose * * * | 13-0674-06 02-1338-00 | 1 2 |
| 26 | Drain, Bin | A27018-001 | 1 |
| 27 | O-Ring attaching parts, Index 26, 27, 28 to 32 | 13-0617-11 | 1 |
| 28 | Top, Drain (Screws into Index 26) * * * | 02-1741-00 | 1 |
| 29 | Grommet * * * | 13-0557-01 | 1 |
| 30 | Pad, Sealing * * * | 13-0806-01 | 1 |
| 31 | Retainer, Insulation attaching parts, Index 31 Screw, No. 8 x 1/2 T/F Tap * * * | No Number 03-1404-09 | 1 3 |
| 32 | Bin Storage * * * | 02-2762-02 | 1 |
| NOTE: See Figure 8-8 for replacement parts within the Control Box Assembly. | | | |

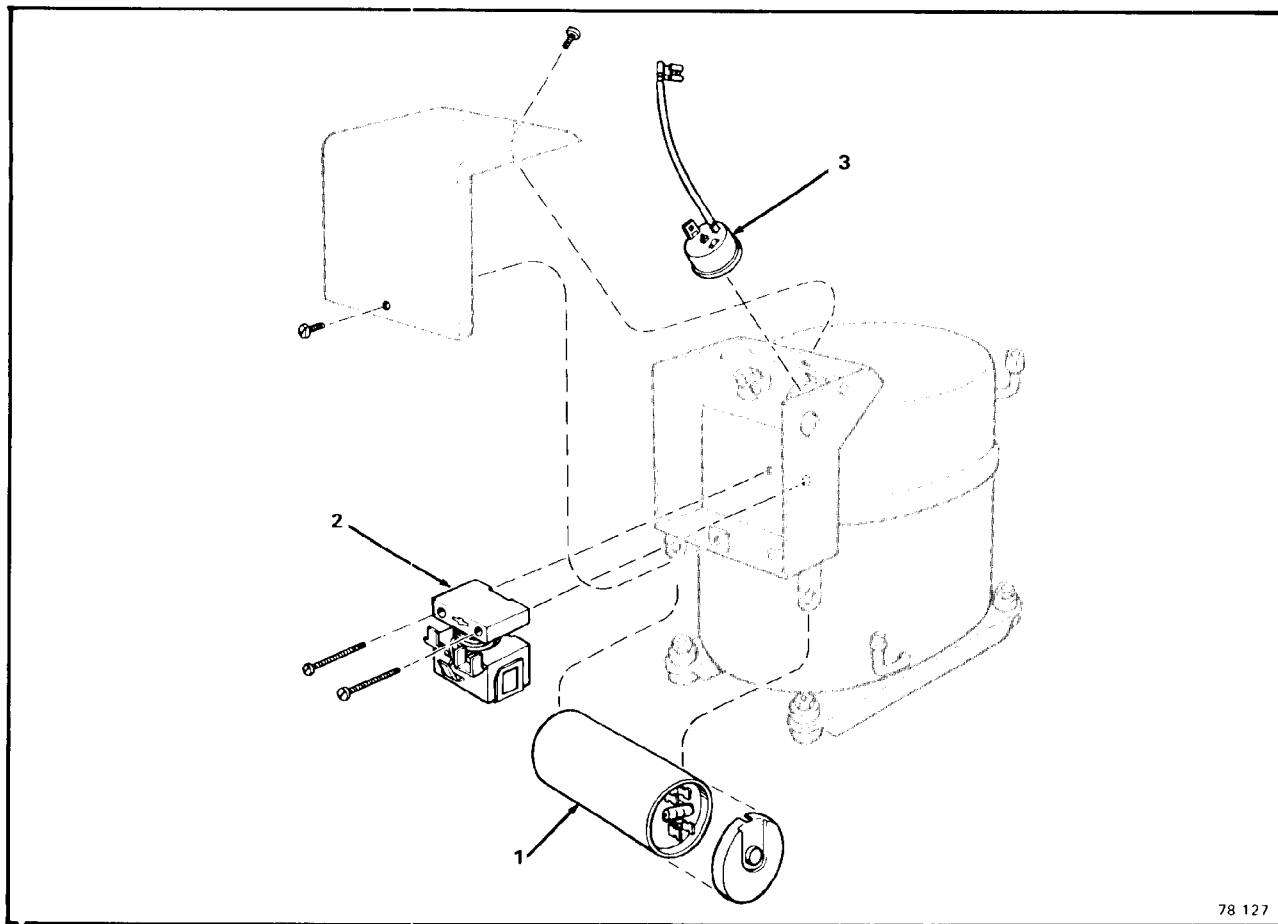
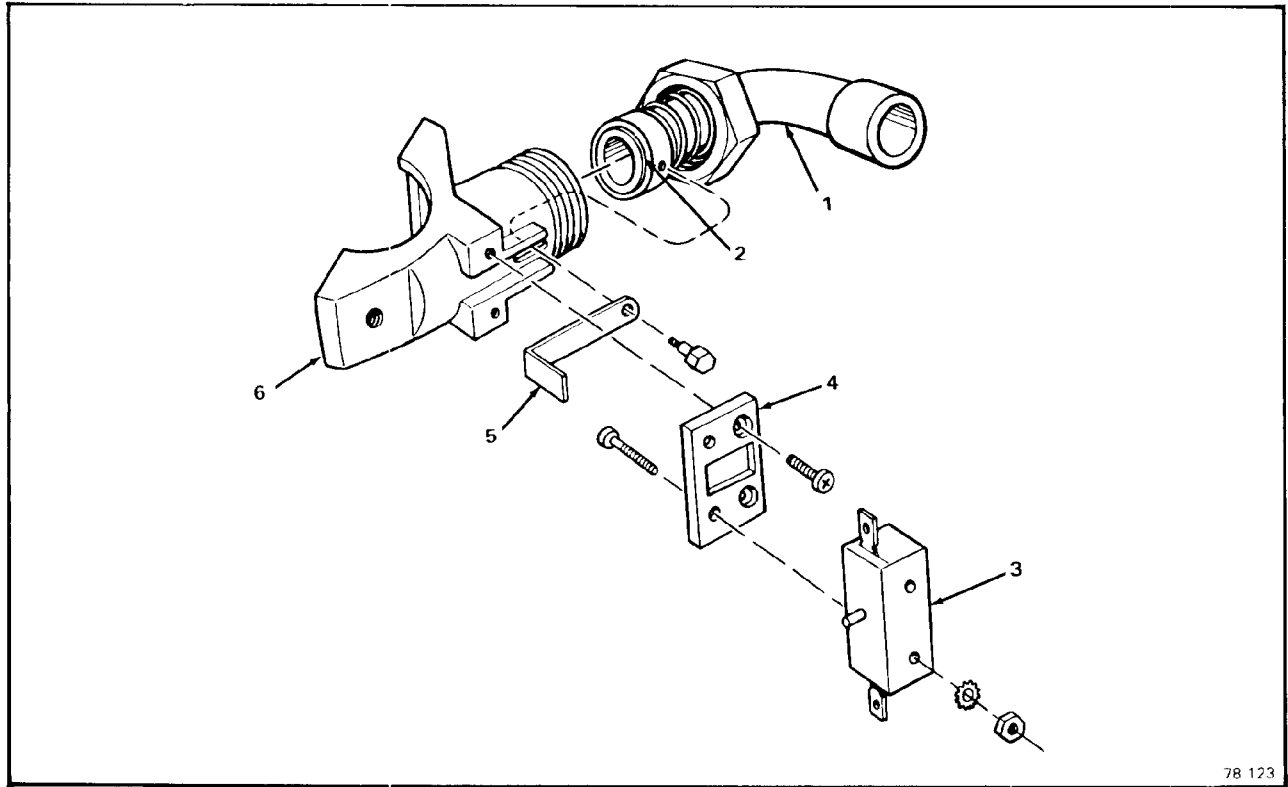


Figure 8-4. Compressor Assembly

Figure 8-4. Compressor Assembly

| INDEX NO. | DESCRIPTION | PART NUMBER | REQ'D NUMBER |
|-----------|--|-------------|--------------|
| | Compressor Assembly (See Figure/Index 8-2/9 and 8-3/9 for next higher Assembly) * * * | 18-4500-01 | Ref. |
| 1 | Capacitor - w/cap * * * | 18-1901-33 | 1 |
| 2 | Relay * * * | 18-2200-26 | 1 |
| 3 | Overload * * * | 18-2200-25 | 1 |



78 123

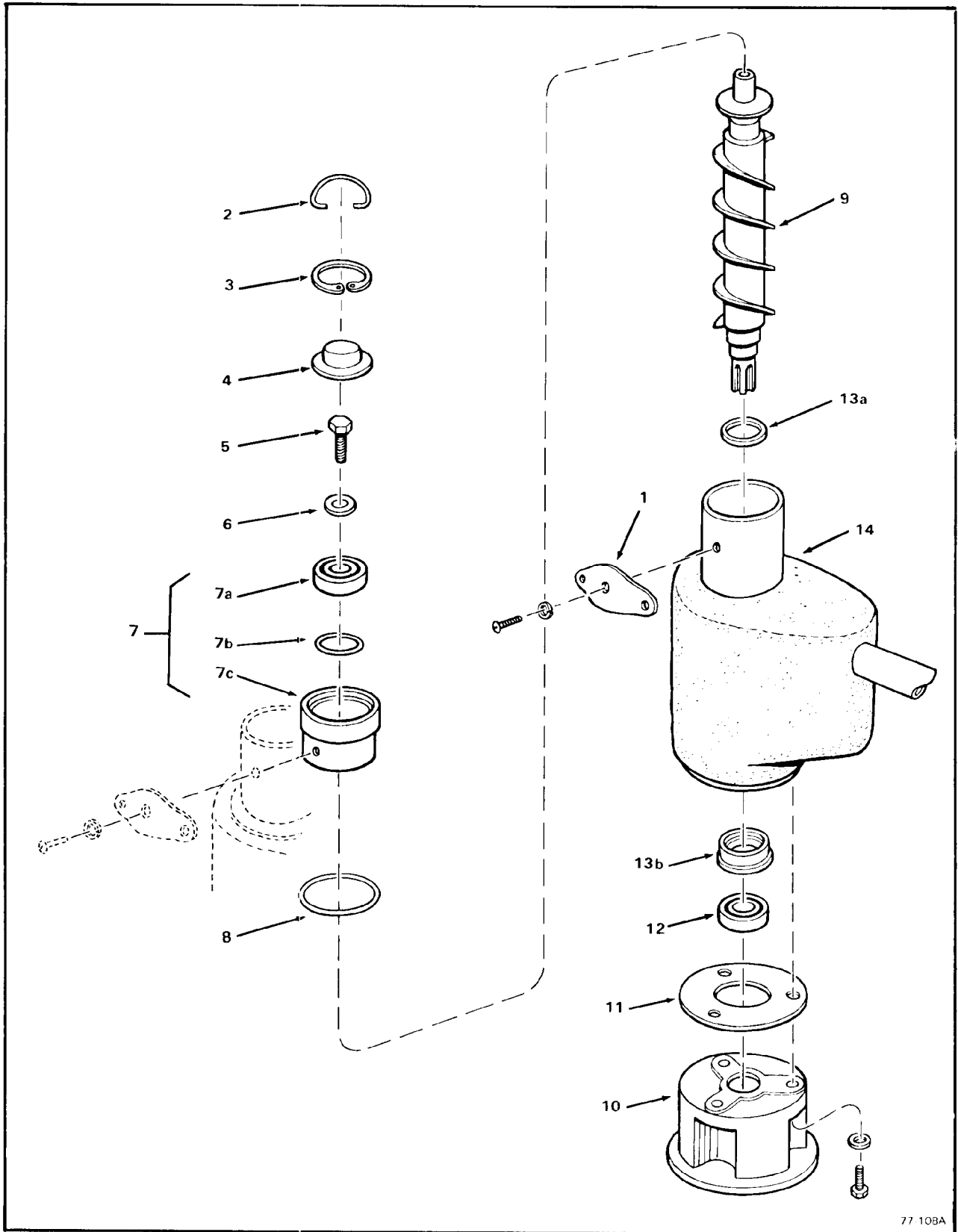
Figure 8-5. Spout Assembly.

Figure 8-5. Spout Assembly.

| INDEX NO. | DESCRIPTION | PART NUMBER | REQ'D NUMBER |
|-----------|---|-------------|--------------|
| | Spout Assembly (See Figure/Index 8-2/16 and 8-3/16 for next higher Assembly) * * * | No Number | Ref. |
| 1 | Tube, Ice Discharge * * * | A26542-001 | 1 |
| 2 | O-Ring * * * | 13-0617-41 | 1 |
| 3 | Switch attaching parts, Index 3 to 4 | 12-1664-00 | 1 |
| | Screw, No. 6-32 x 1 Flat Hd. Mach - Phil Recess | 03-1418-38 | 2 |

Figure 8-5. Spout Assembly (Cont'd.)

| INDEX NO. | DESCRIPTION | PART NUMBER | REQ'D NUMBER |
|-----------|---|-------------|--------------|
| | Lockwasher No. 6 External Tooth - Phosphor Bronze | 03-1417-01 | 2 |
| | Nut, No. 6-32 Hex Mach Screw | 03-1406-01 | 2 |
| | * * * | | |
| 4 | Barrier, Thermal | 02-2377-01 | 1 |
| | attaching parts, Index 4 to 6 | | |
| | Screw, No. 6-32 x 3/8 Flat Hd Mach - Phil Recess | 03-1418-01 | 2 |
| | * * * | | |
| 5 | Actuator, Switch | A27511-001 | 1 |
| | attaching parts, Index 5 to 6 | | |
| | Screw, Shoulder | A25305-001 | 1 |
| | * * * | | |
| 6 | Spout | A24934-001 | 1 |
| | * * * | | |



77 108A

Figure 8-6. Freezer Assembly — AF-430.

Figure 8-6. Freezer Assembly..

| INDEX NO. | DESCRIPTION | PART NUMBER | REQ'D NUMBER |
|-----------|---|--|--------------|
| | Freezer Assembly (See Figure/Index 8-2/18 and 8-3/18 for next higher Assembly) * * * | No Number | Ref. |
| 1 | Plate, Spout attaching parts, Index 1 Washer, No. 3 16 Non-Metallic Screw, No. 10-24 x 3/8 Phil Recessed Hd Sealing * * * | A18430-002 03-1409-14 03-1506-01 | 1 1 1 |
| 2 | Hook, Cap * * * | A08162-000 | 1 |
| 3 | Ring, Retaining * * * | 03-1558-03 | 1 |
| 4 | Cap * * * | A07701-000 | 1 |
| 5 | Screw, Cap | 03-0758-00 | 1 |
| 6 | Washer * * * | A07699-000 | 1 |
| 7 | Bearing/Retainer - w/Bearing | A26707-001 | 1 |
| 7a | Bearing | 02-0695-00 | 1 |
| 7b | O-Ring | 13-0617-16 | 1 |
| 7c | Retainer, Bearing (Order P/N A26707-001) * * * | No Number | Ref. |
| 8 | O-Ring * * * | 13-0617-29 | 1 |
| 9 | Auger | A29622-001 | 1 |
| 10 | Adaptor attaching parts, Index 10 | 08-0595-01 | 1 |

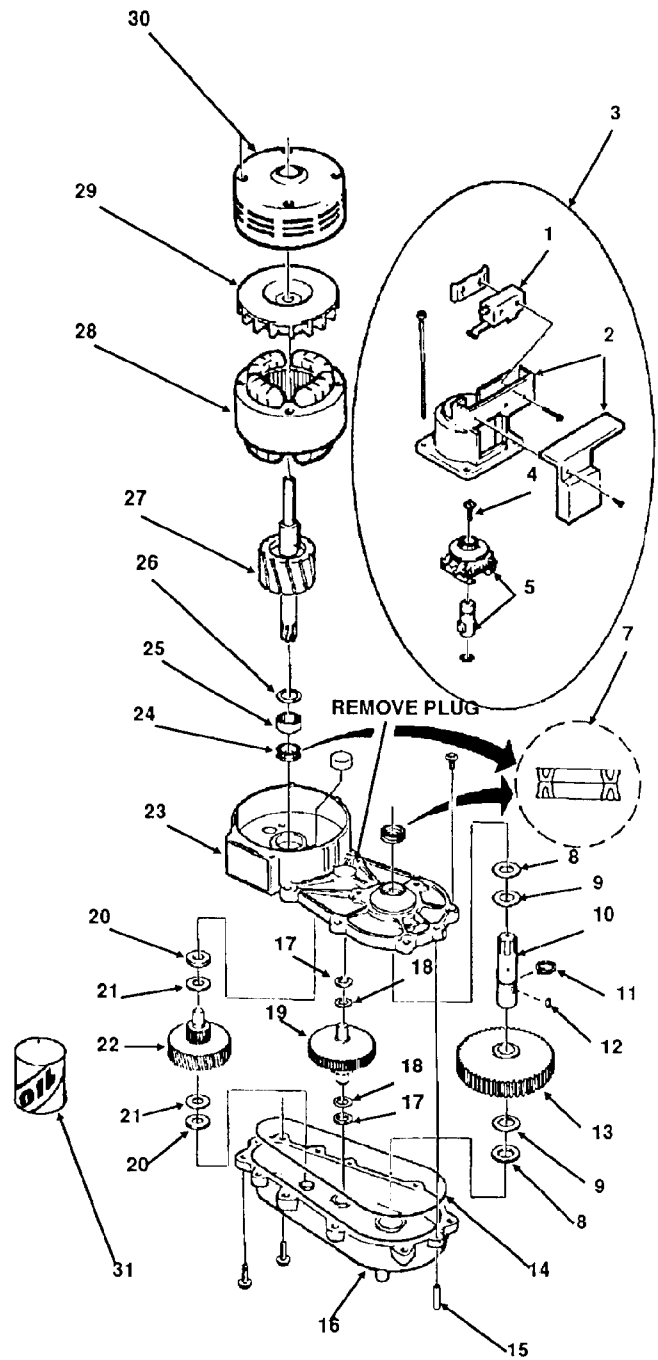
Figure 8-6. Freezer Assembly (Cont'd.)

| INDEX NO. | DESCRIPTION | PART NUMBER | REQ'D NUMBER |
|-----------|---------------------------------------|-------------|--------------|
| | Lockwasher, No. 5/16 Helical Spring | 03-1410-04 | 3 |
| | Screw, No. 5/16-18 x 7/8 Hex Cap | 03-1405-42 | 3 |
| | * * * | | |
| 11 | Gasket | 03-1505-00 | 1 |
| | * * * | | |
| 12 | Bearing | 02-0417-00 | 1 |
| | * * * | | |
| 13 | Seal, Water | A18945-000 | 1 |
| 13a | Seal, Upper (Fits on Index 9) | No Number | Ref. |
| 13b | Seal, Lower (Fits on top of Index 12) | No Number | Ref. |
| | * * * | | |
| 14 | Freezer - (Repair Assembly) | A29344-020 | 1 |
| | * * * | | |

AF430 SERVICE PARTS

GEARMOTOR

| ITEM NUMBER | PART NUMBER | DESCRIPTION |
|-------------|-------------|------------------------------|
| 1. | 12-2059-01 | Switch |
| 2. | A27895-001 | Housing |
| 3. | A27494-001 | Centrifugal Sw. Kit |
| 4. | 03-1403-77 | Screw |
| 5. | A30579-001 | Shaft and Actuator |
| 6. | 03-1408-36 | Washer |
| 7. | 02-1503-00 | Grease seal |
| 8. | 03-1408-21 | Washer |
| 9. | 03-1408-04 | Washer |
| 10. | 02-2445-01 | Output shaft |
| 11. | 03-1515-03 | Retaining ring |
| 12. | 03-1602-01 | Woodruff Key |
| 13. | 02-2444-01 | Output gear |
| 14. | 02-1505-00 | O-ring |
| 15. | 03-0774-11 | Roll pin |
| 16. | A28166-001 | Gear Case |
| 17. | 03-1408-39 | Washer |
| 18. | 03-1408-40 | Washer shim |
| 19. | 02-2439-01 | Second gear and third pinion |
| 20. | 03-1408-41 | Washer |
| 21. | 03-1408-38 | Washer |
| 22. | 02-2438-01 | First gear and second pinion |
| 23. | A28165-021 | Gear box cover |
| 24. | 02-1504-00 | Grease seal |
| 25. | 02-1501-00 | Bearing |
| 26. | 03-1408-08 | Washer |
| 27. | A31978-001 | Rotor for A31977 |
| 28. | A28160-001 | Rotor for A28151 |
| 29. | 12-2302-01 | Stator for A31977 |
| 30. | 12-1400-01 | Stator for A28151 |
| 31. | A28168-001 | Fan |
| 32. | A17047-002 | Motor Housing with bearing |
| 33. | A25835-001 | Oil |
| 34. | A31977-021 | Complete Gear Mot Assembly |



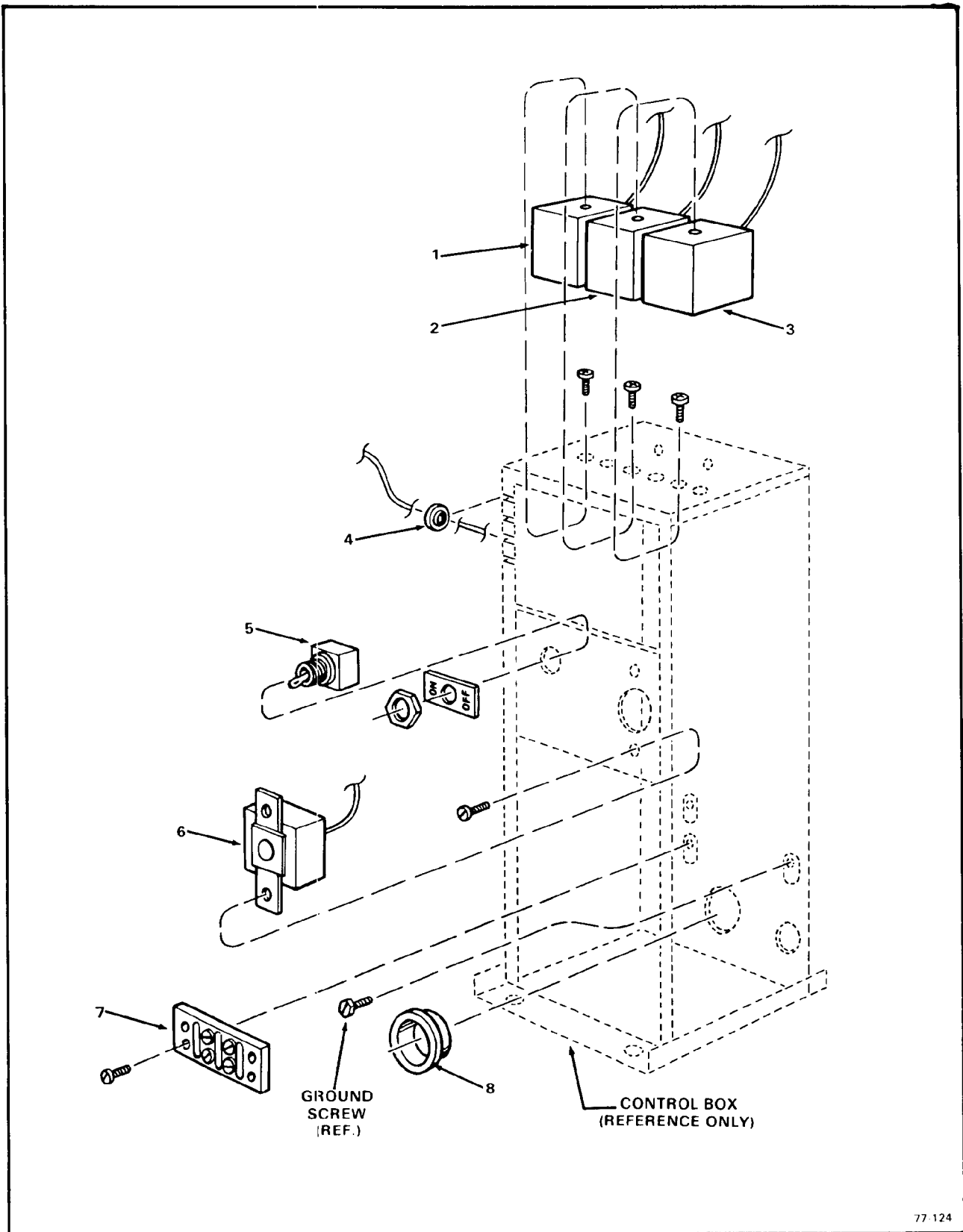


Figure 8-8. Control Box Assembly.

Figure 8-8. Control Box Assembly — AF-430.

| INDEX NO. | DESCRIPTION | PART NUMBER | REQ'D NUMBER |
|-----------|--|------------------------------|--------------|
| | Control Box Assembly - AF-430 (See Figure 8-2/8-3 for next higher Assembly) * * * | No Number | Ref. |
| 1 | Control, Low-Pressure attaching parts, Index 1 Screw, No. 6-32 x 1/4 Pan Hd * * * | 11-0420-01 03-1403-02 | 1 2 |
| 2 | Control, Hi-Pressure (Water-Cooled Model) attaching parts, Index 2 Screw, No. 6-32 x 1/4 Pan Hd * * * | 11-0388-02 03-1403-02 | 1 2 |
| 3 | Control, Auger Delay attaching parts, Index 3 Screw, No. 6-32 x 1/4 Pan Hd * * * | 11-0402-01 03-1403-02 | 1 2 |
| 4 | Grommet * * * | 13-0557-00 | 4 |
| 5 | Switch, Toggle * * * | 12-0426-01 | 1 |
| 6 | Thermostat, Bin attaching parts, Index 6 Screw, No. 8-32 x 3/8 Phil Recess Pan Hd * * * | 11-0354-00 03-1403-17 | 1 2 |
| 7 | Board, Terminal attaching parts, Index 7 Screw, No. 8-32 x 3/4 Phil Recess Pan Hd * * * | 12-0813-04 03-1403-21 | 1 2 |
| 8 | Bushing, Snap * * * | 12-1213-12 | 1 |

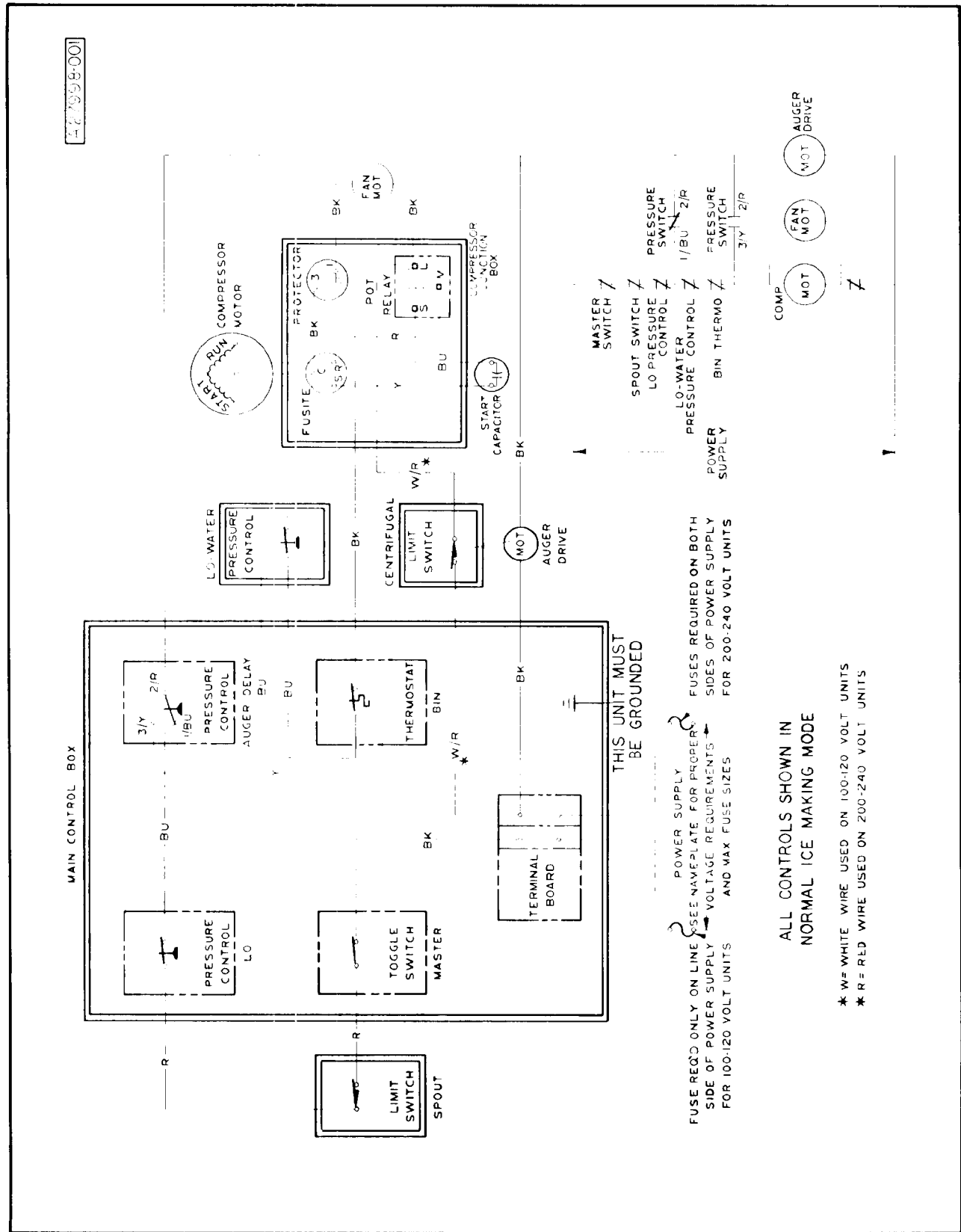


Figure 7-1. Wiring Diagram AF-430 - Air-Cooled.

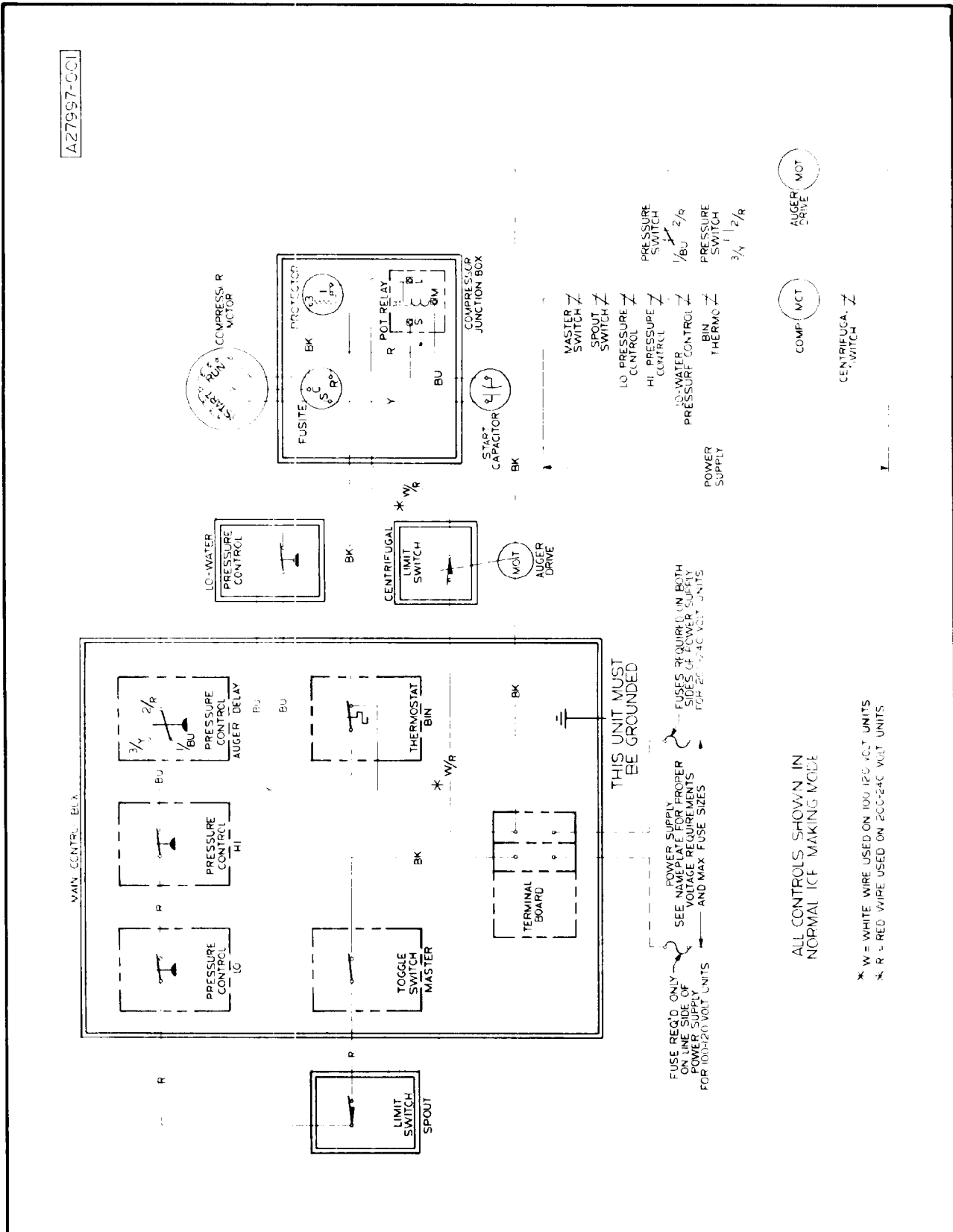


Figure 7-2. Wiring Diagram AF-430 - Water-Cooled.