

CD450 Parts List

Table of Contents

Cabinet

Upper Door

Lower Door

Refrigeration System

Compressor

Evaporator

Water System

Bin

Gearmotor

Control Box

Wiring Diagrams

CD450 THE PARTS ILLUSTRATION AND PARTS LISTS

GENERAL

This section contains the Parts Illustrations and the Parts List for each of the major assemblies in the CD450 Cuber Dispenser.

A *No Number* designation, when used in the Part Number Column indicates the unit is not available from SCOTSMAN as an assembly. This designation is used only for the convenience and clarity of division in cataloging.

HOW TO ORDER PARTS OR ASSEMBLIES

When ordering parts or assemblies, to avoid costly delays and errors in shipment, give the part number, the complete description shown in the list, and the quantities of each part or assembly required. Also include the model name, the serial number of the icemaker for which the part is required and for parts which require color matching, the color of the cabinet.

All part numbers have TEN DIGITS (spaces), required for use in the Computer System. BE SURE to fill in ALL SPACES in the CATALOG NUMBER column, on the parts order form.

Enter the QUANTITY of the parts ordered, in the last digit column under the QUANTITY column heading, the one under the small 55 number, for parts from 1 thru 9. For 10 or more parts use two columns.

To be sure you receive the proper parts in the proper quantities, ALWAYS use the PART NUMBERS and DESCRIPTIONS given in the Parts Manuals.

Write an order for the part. Use SCOTSMAN Parts Order Form (DN103). Be sure to include:

- Distributor Name.
- (Use for DROP-SHIP order ONLY.)
- Distributor Purchase Order Number.
- Carrier.
- How shipped (Truck, Rail, UPS, etc.)
- Date ordered.
- Part Catalog Number. (Use full TEN digits (spaces) listed in Parts Manual, including dashes between numbers.)
- Description - as listed in Parts Manual.
- Quantity - number of parts ordered. (Use far right column.)

WIRING DIAGRAMS

This section is provided as an aid in understanding the electrical circuitry of the CD450 Cuber Dispenser.

The wiring diagrams in this Section are:
CD450MAE-1A (115/60/1) Air-Cooled
CD450MWE-1A (115/60/1) Water-Cooled

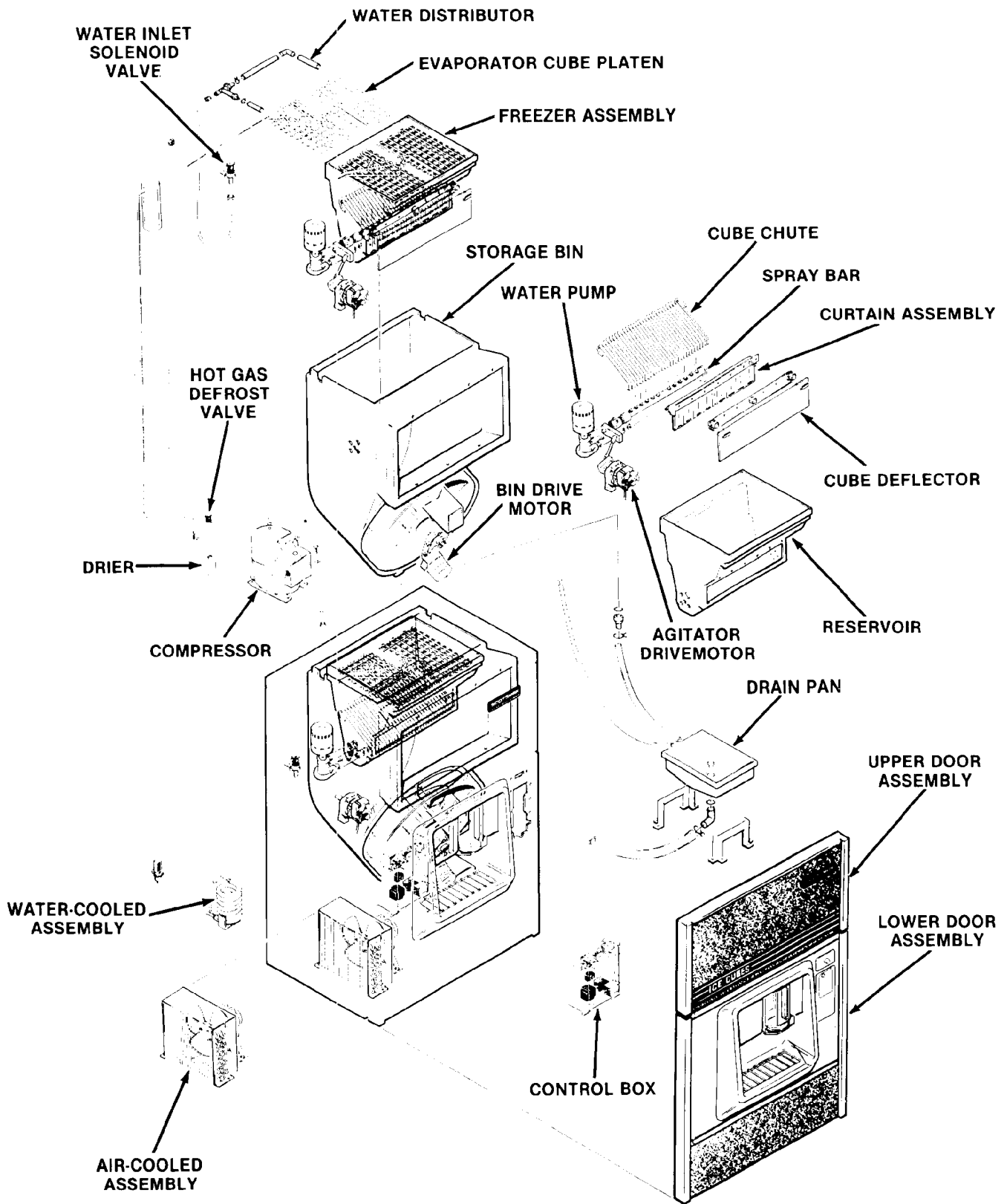
//////////////////// WARNING //////////////////////

When conducting a continuity check of the modular cuber:

1. Disconnect the main power source.
2. DO NOT use an incandescent lamp or jumper wire, conduct all tests with a volt-ohm-meter.

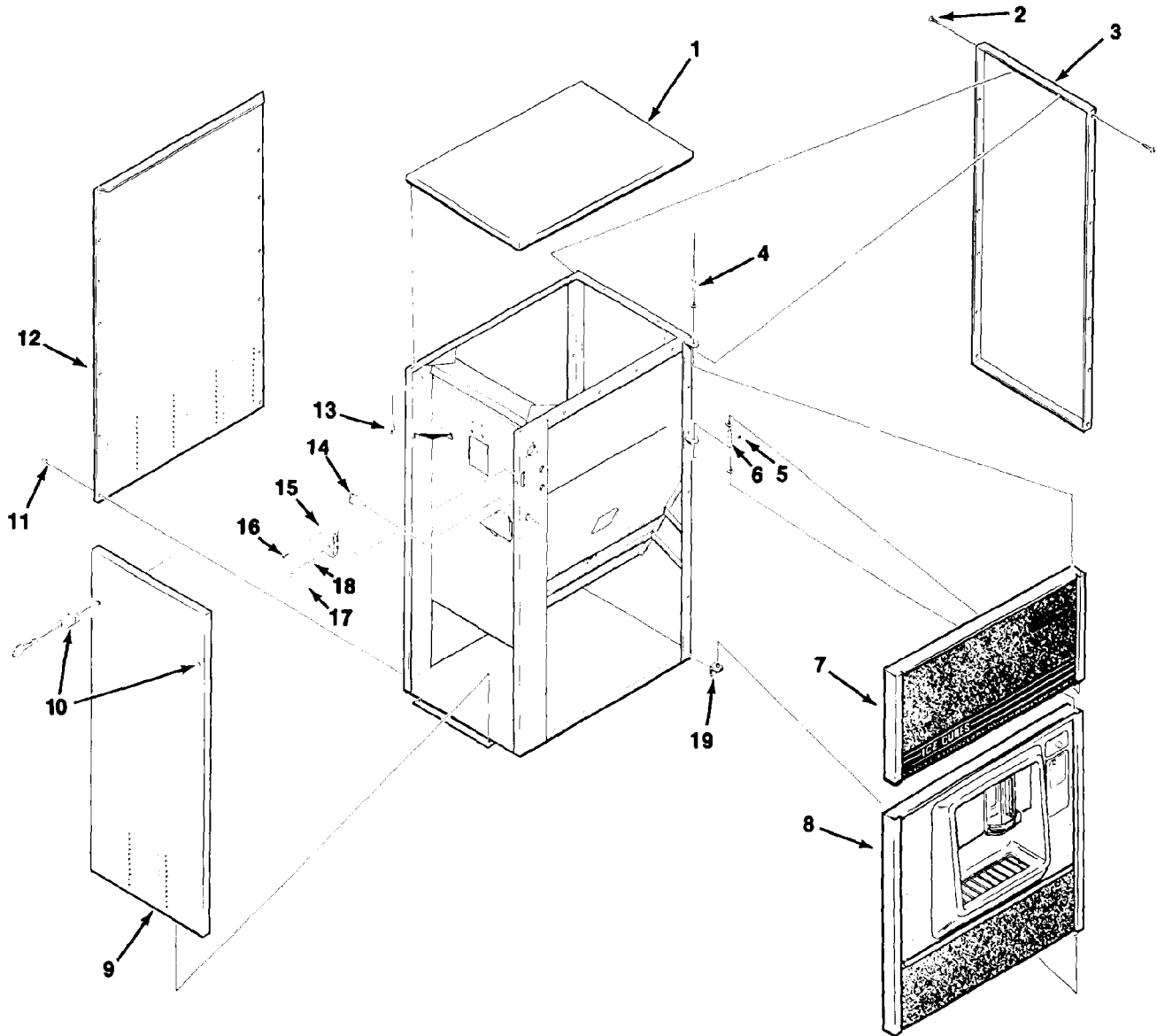
////////////////////////////////////

CD450 THE PARTS ILLUSTRATION AND PARTS LISTS



*CD450 Cuber Dispenser
Component Location*

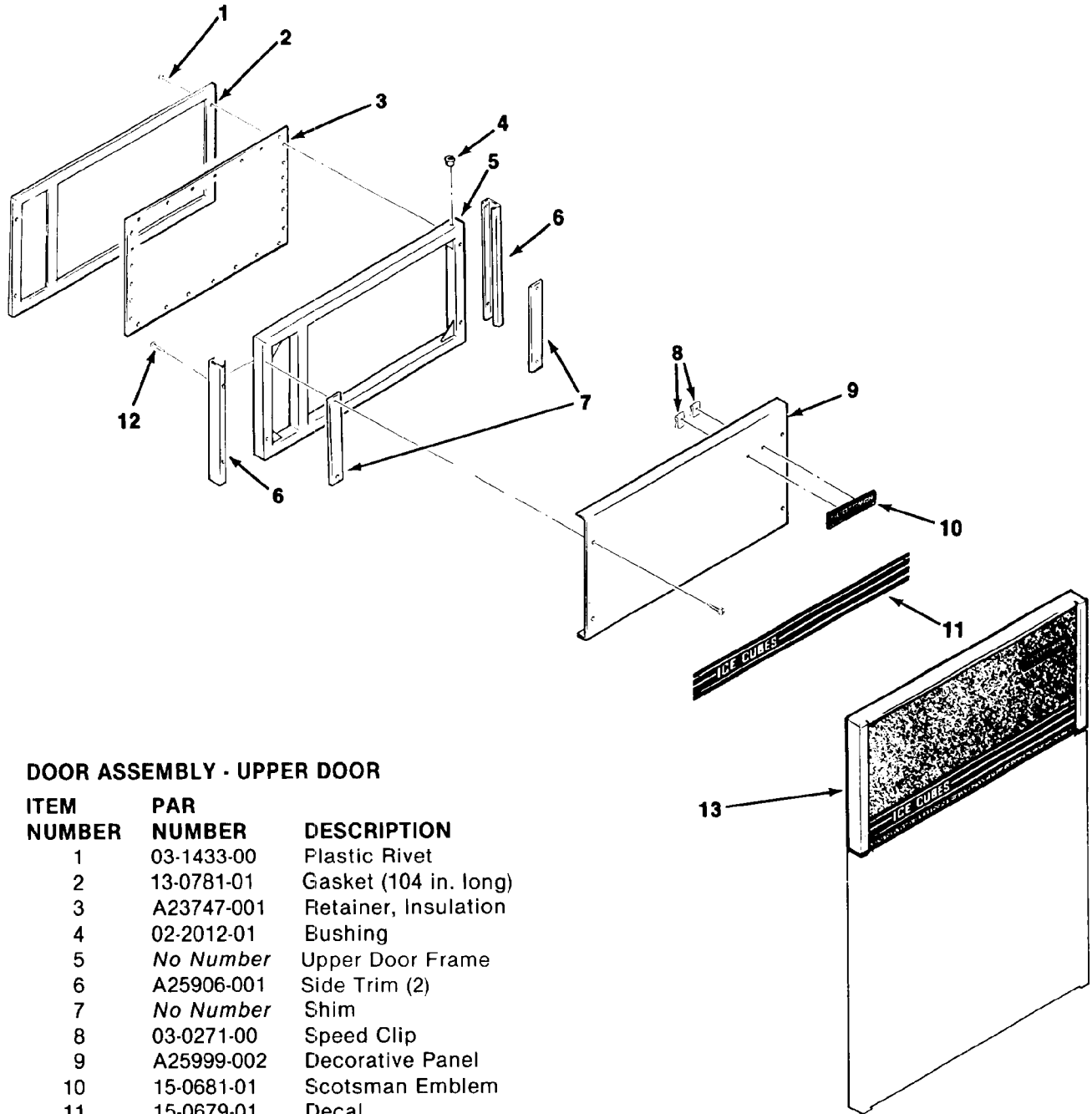
CD450 THE PARTS ILLUSTRATION AND PARTS LISTS



CABINET ASSEMBLY

ITEM NUMBER	PART NUMBER	DESCRIPTION			
1	A23368-005	Top Panel, (C.R.S. Painted)	10	02-2094-01	Plug and Key Lock (2)
2	No Number	Rivet	11	03-1360-00	Screw, No. 8 x 1/2 T/F Tap (Side Screws)
3	A23334-005	Right Side Panel, (C.R.S. Painted)	12	A23335-002	Back Panel
4	03-1512-02	Weld Pin, (Secure top of upper door to top hinge)	13	03-1403-47	Screw, No. 1/4 - 20 x 1/2 Phil Recess Pan Head
5	03-1515-01	Retaining Ring	14	03-1541-02	Door Wing Screw (2)
6	02-2695-01	Hinge Pin	15	02-2092-01	Dual Lock
7	A25997-002	Upper Door Assembly	16	03-1403-34	Screw, No. 10 - 24 x 1 Phil Recess Pan Head
8	A29683-001	Lower Door Assembly	17	No Number	5/16 Allen Key
9	A23349-005	Left Side Panel, (C.R.S. Painted)	18	03-1544-01	Screw, Hex Socket
			19	A25959-001	Bottom Hinge Bracket

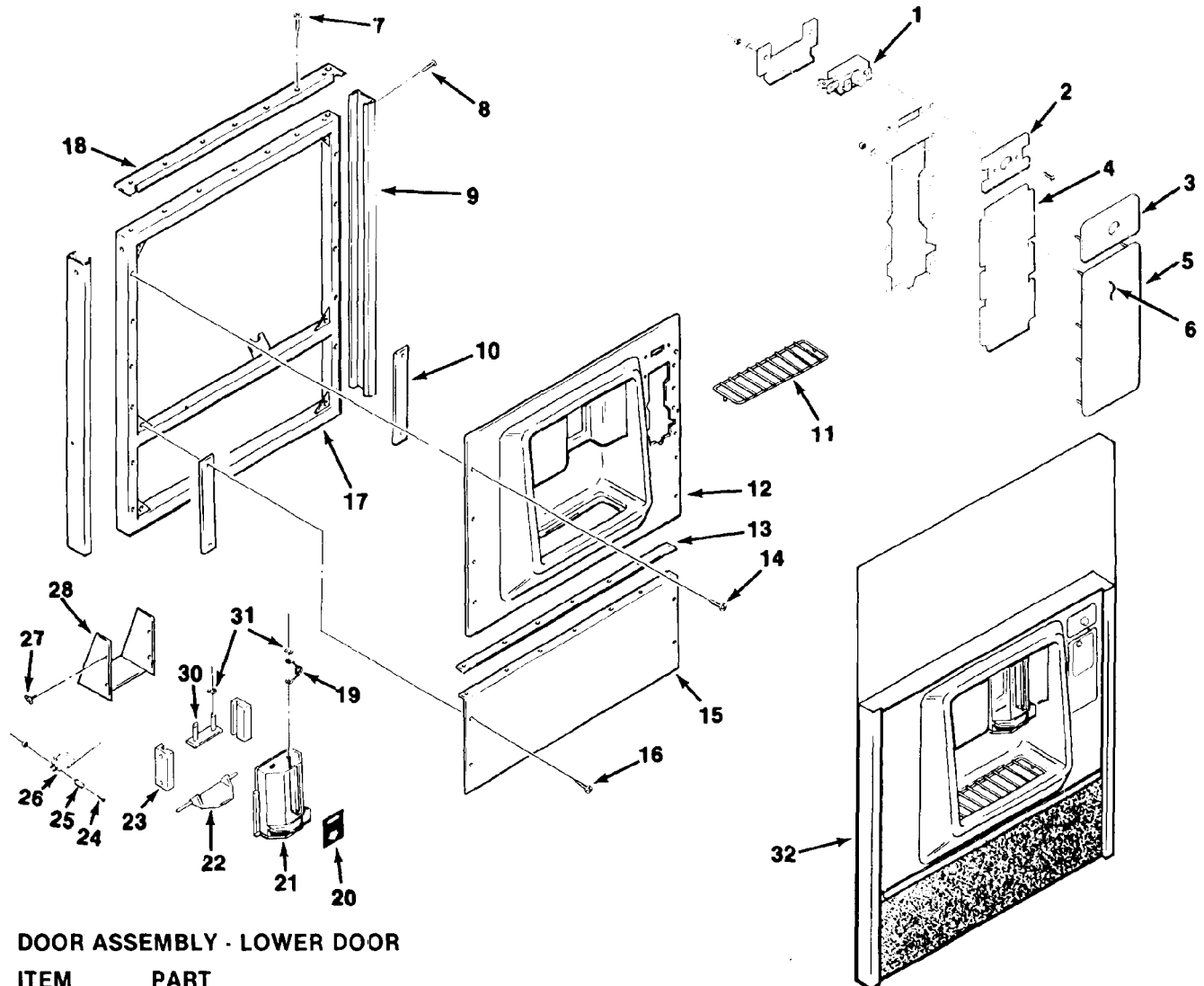
CD450 THE PARTS ILLUSTRATION AND PARTS LISTS



DOOR ASSEMBLY - UPPER DOOR

ITEM NUMBER	PAR NUMBER	DESCRIPTION
1	03-1433-00	Plastic Rivet
2	13-0781-01	Gasket (104 in. long)
3	A23747-001	Retainer, Insulation
4	02-2012-01	Bushing
5	<i>No Number</i>	Upper Door Frame
6	A25906-001	Side Trim (2)
7	<i>No Number</i>	Shim
8	03-0271-00	Speed Clip
9	A25999-002	Decorative Panel
10	15-0681-01	Scotsman Emblem
11	15-0679-01	Decal
12	03-1404-05	Screw, No. 6 x 3/8 T/F Tap
13	A25997-001	Complete Door Assembly

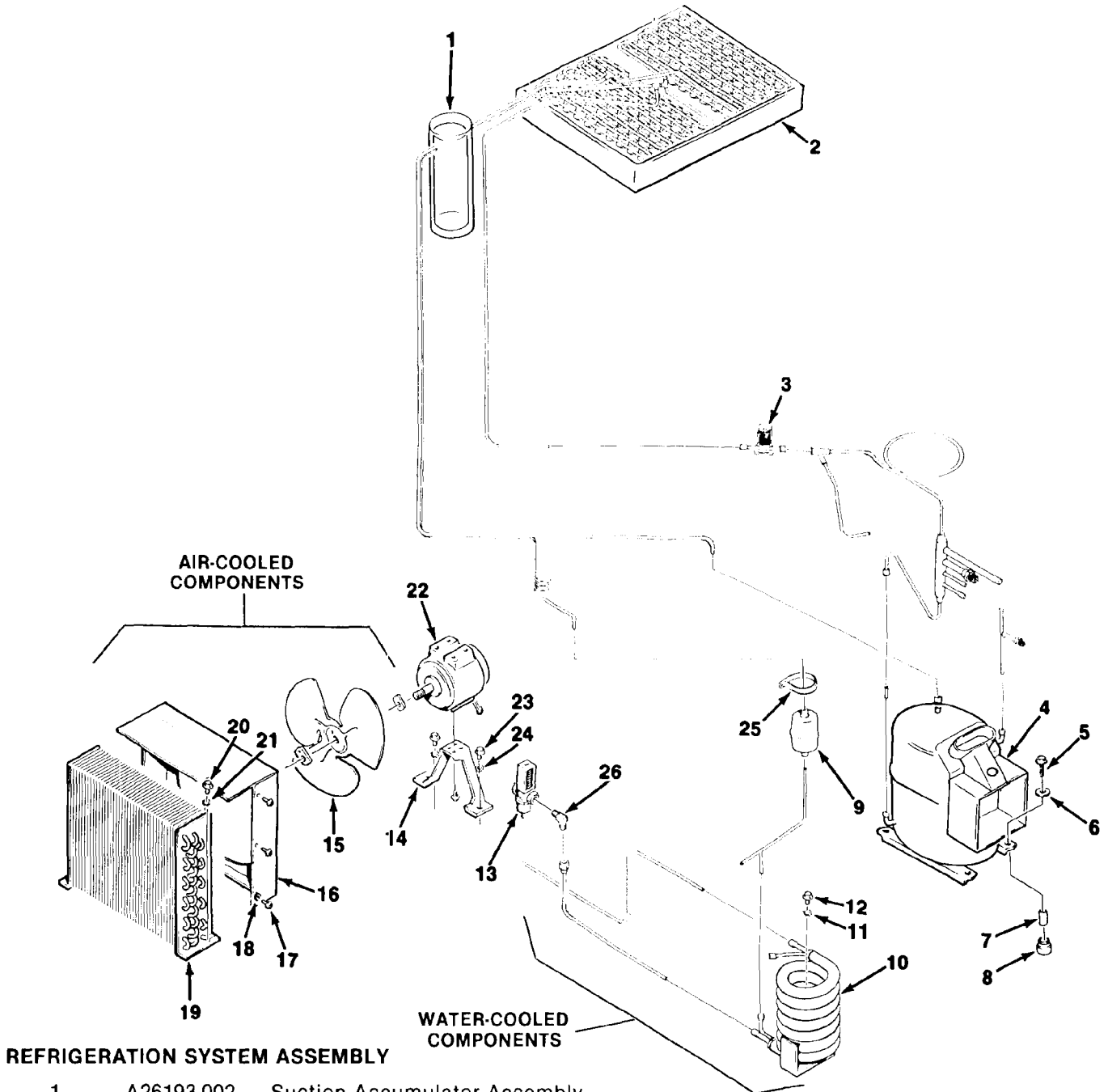
CD450 THE PARTS ILLUSTRATION AND PARTS LISTS



DOOR ASSEMBLY - LOWER DOOR

ITEM NUMBER	PART NUMBER	DESCRIPTION	ITEM NUMBER	PART NUMBER	DESCRIPTION
1	12-1878-02	Switch, Pushbutton	15	A26004-003	Panel, Lower Door
2	A29738-001	Plate, Switch Backing	16	03-1403-30	Screw, No. 10 - 24 x 5/8 Phil Recess Pan Head
3	A29736-001	Plate Assembly (Switch Cover)	17	No Number	Frame, Lower Door
4	A29748-001	Plate, Backing	18	A25905-001	Trim, Top
5	A29708-001	Plate, Cover	19	02-2097-01	Spring, Torsion (2)
6	15-0674-01	Label, Graphic	20	15-0583-01	Label, Graphic - Ice Chute
7	03-1404-05	Screw, No. 6 x 3/8 T/F Tap	21	02-1994-01	Hood, Ice Chute
8	03-1404-05	Screw, No. 10 x 3/8 T/F Tap	22	02-1995-01	Ice Chute
9	A25908-001	Trim, Side-Lower	23	A25065-001	Ice Hood Track (2)
10	No Number	Shim	24	03-1403-63	Screw
11	02-1998-01	Grill	25	No Number	Spacer
12	02-2600-01	Panel, Sink & Dispenser	26	A25545-001	Switch Lever
13	A25907-001	Trim, Bottom	27	03-1279-01	Screw, Thumb (4)
14	03-1403-30	Screw, No. 10 - 24 x 5/8 Phil Recess Pan Head	28	A25377-001	Shield
			29	03-1406-14	Nut
			30	A23674-001	Ice Hood Return
			31	03-1539-03	Retaining Clips (2)
			32	A29683-001	Complete Door Assembly

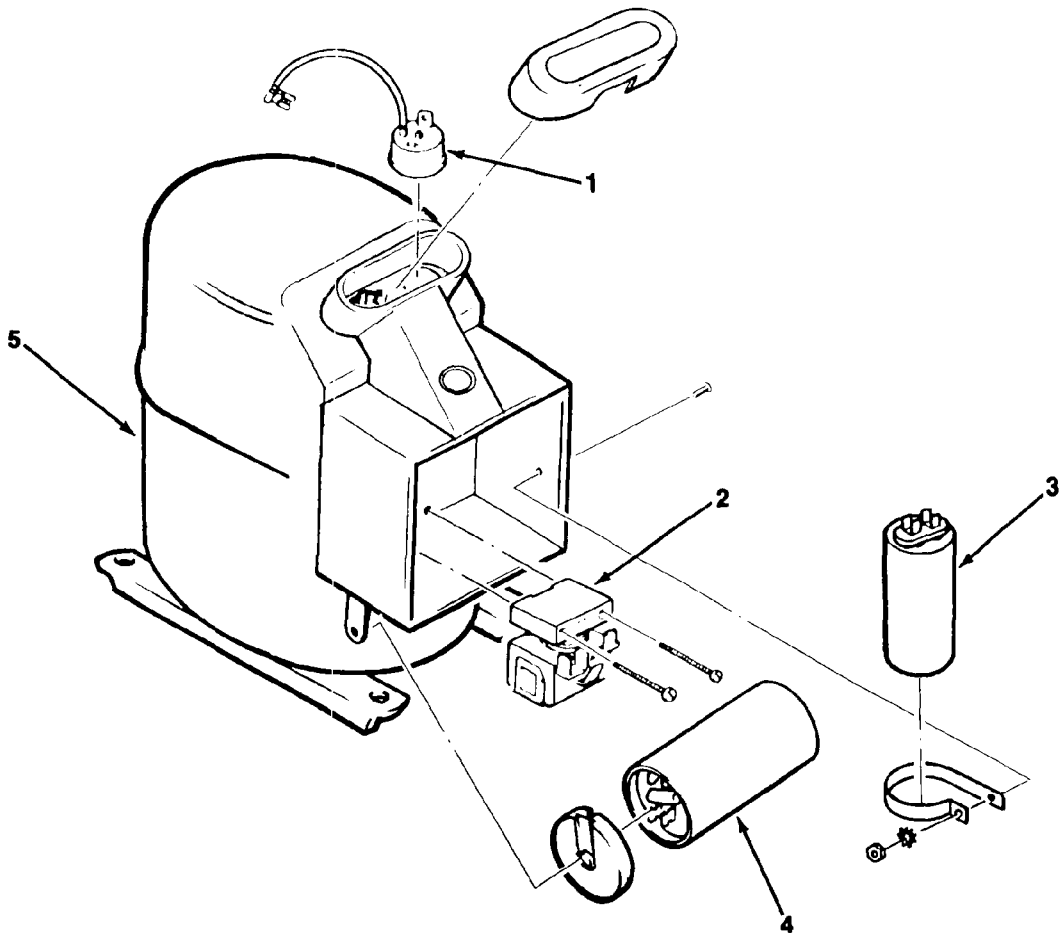
CD450 THE PARTS ILLUSTRATION AND PARTS LISTS



REFRIGERATION SYSTEM ASSEMBLY

1	A26193-002	Suction Accumulator Assembly			
2	A26204-001	Platen Assembly			
3	12-2135-01	Hot Gas Valve			
4	18-5000-01	Compressor			
5	03-1405-40	Screw (4)			
6	03-1407-07	Washer (4)			
7	18-2200-28	Mounting Sleeves (4)			
8	18-2200-27	Mounting Grommets (4)			
9	02-0544-01	Drier			
10	18-3305-02	Water Cooled Condenser			
11	03-1417-09	Washer			
12	03-0571-00	Screw			
13	11-0198-02	Water Regulator Valve			
14	A25548-001	Fan Motor Mount			
			15	18-0625-00	Fan Blade
			16	02-2352-01	Shroud
			17	03-1404-06	Screw (6)
			18	03-1407-01	Washer (6)
			19	18-3703-01	Air Cooled Condenser
			20	03-0571-00	Screw (2)
			21	03-1417-09	Lockwasher (2)
			22	12-1681-01	Fan Motor
			23	03-0571-00	Screw
			24	03-1417-09	Lockwasher
			25	A09388-000	Drier Brace
			26	16-0401-00	Elbow

CD450 THE PARTS ILLUSTRATION AND PARTS LISTS



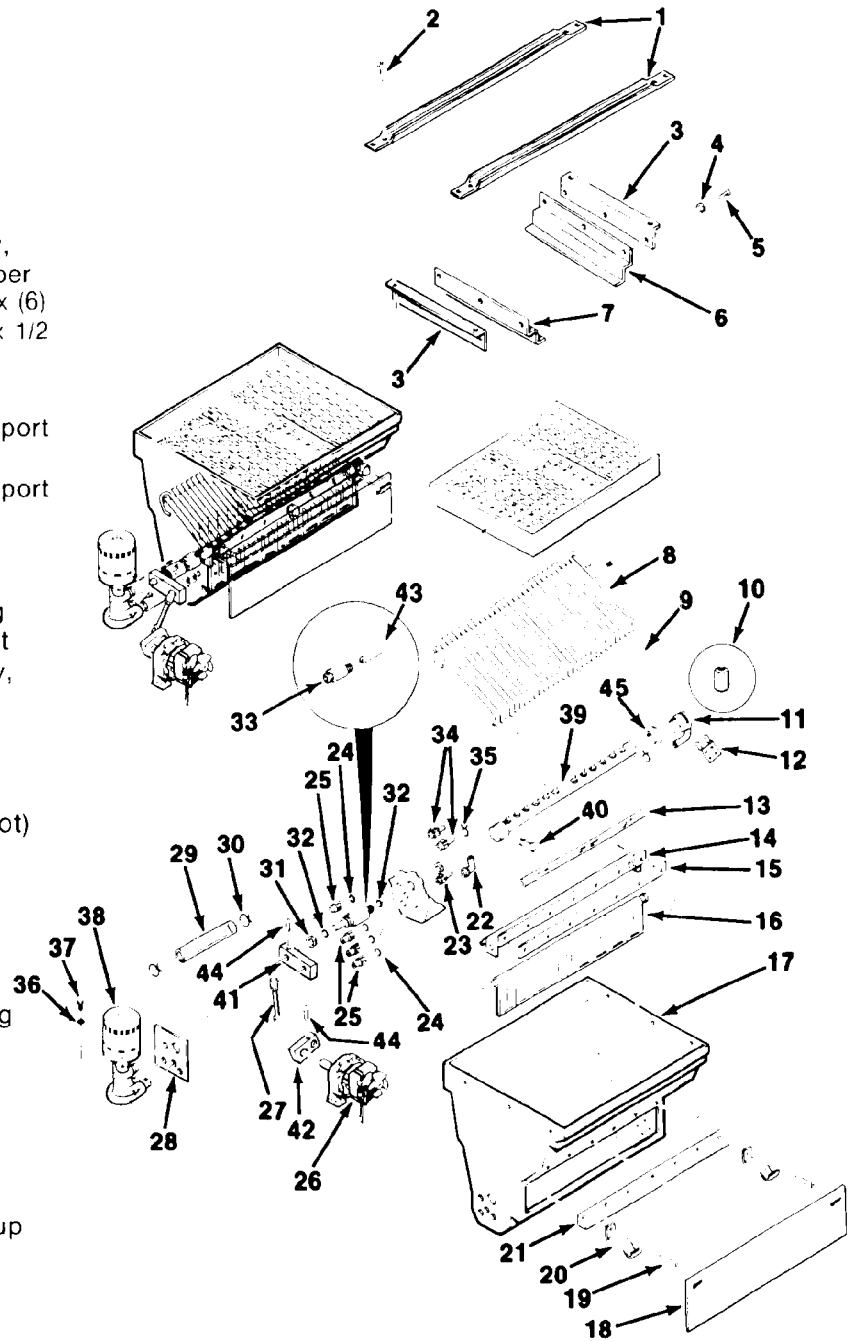
COMPRESSOR ASSEMBLY

ITEM NUMBER	PART NUMBER	DESCRIPTION
1	18-5000-25	Overload
2	18-5000-41	Relay
3	18-5000-42	Capacitor - Run
4	18-5000-40	Capacitor - Start
5	18-5000-01	Compressor

CD450 THE PARTS ILLUSTRATION AND PARTS LISTS

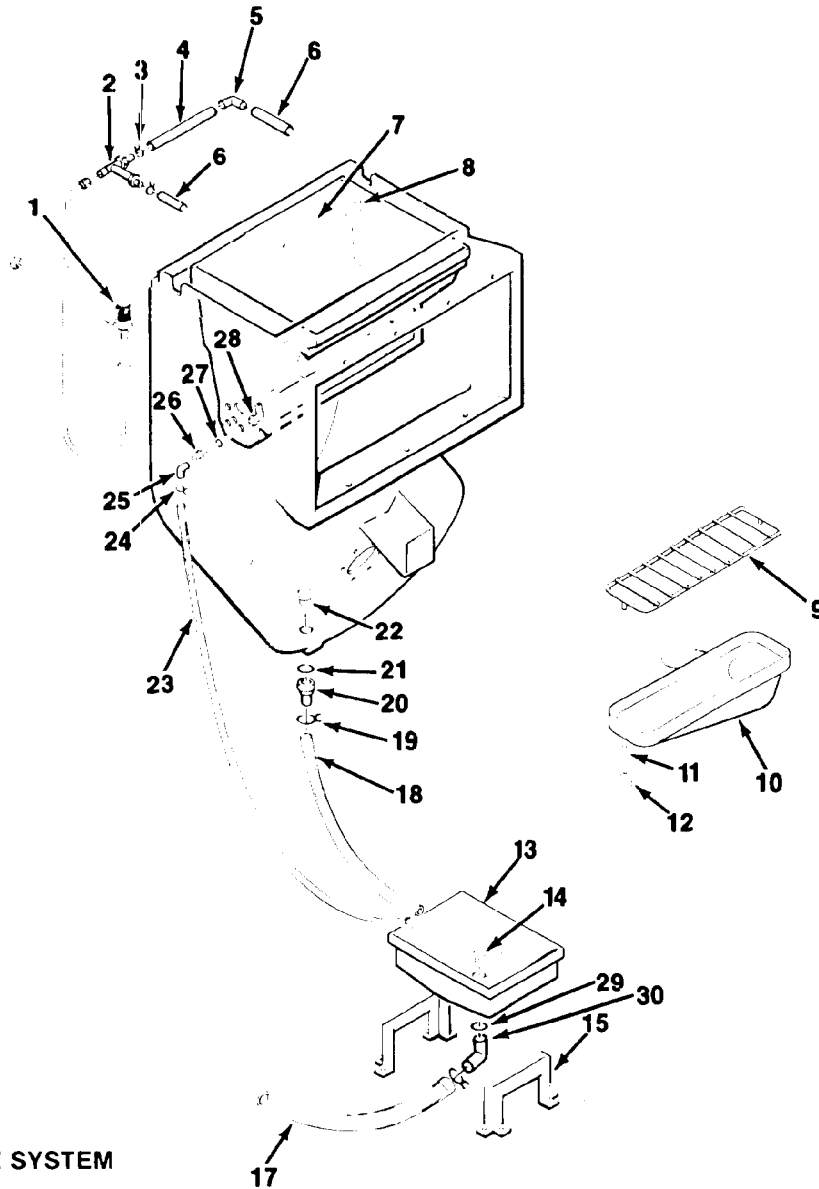
FREEZER ASSEMBLY

ITEM NUMBER	PART NUMBER	DESCRIPTION
1	No Number	Channel, Support
2	03-1404-10	Screw, No. 8 x 1/2 T/F Tap
3	No Number	Support Assembly, Freezing Chamber
4	03-1406-07	Nut, No. 10-24 Hex (6)
5	03-1403-29	Screw, No. 10-24 x 1/2 Phil Recess Pan Head (6)
6	No Number	Angle, Platen Support - (Right)
7	No Number	Angle, Platen Support - (Left)
8	02-1982-01	Chute, Cube
9	02-2137-01	Clip, Cube Chute
10	02-2663-01	Water Jet (3) Long
	02-1803-01	Water Jet (9) Short
11	A16963-000	Support Assembly, End
12	No Number	Support, Bearing
13	13-0674-06	Tube, Tygon (22-1/2 inch lg.) (order by the foot)
14	A24544-001	Hanger Assembly
15	No Number	Gasket, Curtain Hanger
16	A24541-001	Curtain Assembly
17	02-2309-01	Chamber, Freezing
18	02-2617-03	Cube Deflector
19	03-1403-19	Screw
20	02-2136-01	Hanger, Cube Deflector
21	A26661-001	Angle, Curtain
22	02-2125-01	Pipe, Stand
23	02-2082-01	Tube, Pump Pickup
24	13-0617-02	O-Ring
25	02-2606-01	Tube, Female
26	A24743-001	Motor, Agitator
27	A23163-002	Linkage Assembly Includes attaching parts. # 41. 42
	03-1408-34	Washer, Special
	03-1539-11	Ring, Retaining
28	No Number	Plate, Side
29	13-0674-08	Tube - (9-inch lg.) (order by the foot)
30	02-1358-01	Clamp, Hose
31	S07635-000	Nut (2)
32	13-0617-33	O-Ring
33	02-2688-01	Support, Drive Bearing
34	02-2080-01	Tube, Male



35	02-1358-01	Clamp, Hose
36	03-1406-06	Nut, No. 10-24 Hex
37	03-1403-31	Screw, No. 10-24 Phil Recess Pan Hd
38	12-2263-21	Pump, Water
39	A27288-001	Spray Bar Assembly
40	03-1580-01	Pin
41	02-2684-01	Linkage Arm Upper
42	02-2683-01	Linkage Arm Lower
43	02-2686-01	Drive Shaft Spray Bar
44	03-0431-05	Set Screw
45	13-0168-00	U-Cup Seal

CD450 THE PARTS ILLUSTRATION AND PARTS LISTS



WATER AND DRAINAGE SYSTEM

ITEM NUMBER	PART NUMBER	DESCRIPTION
1	12-1434-01	Solenoid Valve Assembly
2	A26230-001	Flow Control Assembly (2)
3	02-0694-00	Clamp-Hose
4	13-0674-04	Tubing - 21.50 Lg.
5	16-0671-01	Elbow-Plastic
6	13-0674-04	Tubing 7.25" Lg.
8	No Number	Clamp
9	02-1998-01	Grill
10	A24523-001	Tray Assembly Drain
11	No Number	Spacer
12	03-0255-02	Nut Wing
13	02-2309-02	Pan Drip
14	02-2809-01	Fitting Drain
15	No Number	Support Assembly Drip Pan
16	03-1431-00	Screw
17	13-0674-08	Hose 35"
18	13-0674-08	Tube - (9-inch lg.) (order by the foot)
19	02-0932-00	Clamp, Hose
20	02-2692-01	Drain, Bin
21	13-0617-11	O-Ring
22	02-2809-01	Fitting, Drain
23	13-0614-01	Tygon Tubing 60"
24	02-0932-00	Clamp, Hose
25	No Number	Elbow
26	02-2606-01	Tube Female
27	13-0617-02	O-Ring
28	02-2125-01	Pipe Stand
29	13-0617-11	O-Ring
30	02-1742-00	Drain Elbow

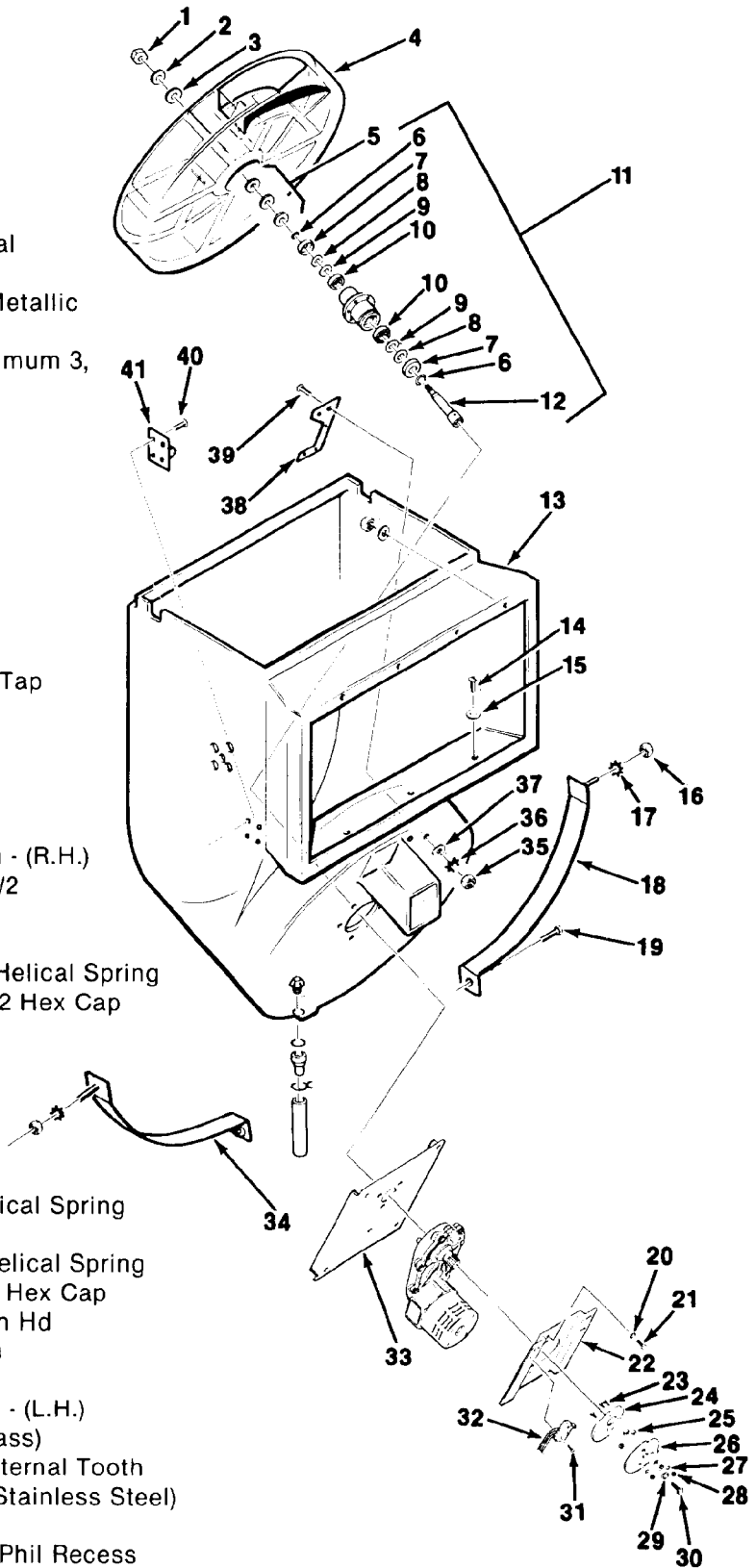
DECEMBER, 1985

Page 9

CD450 THE PARTS ILLUSTRATION AND PARTS LISTS

BIN ASSEMBLY

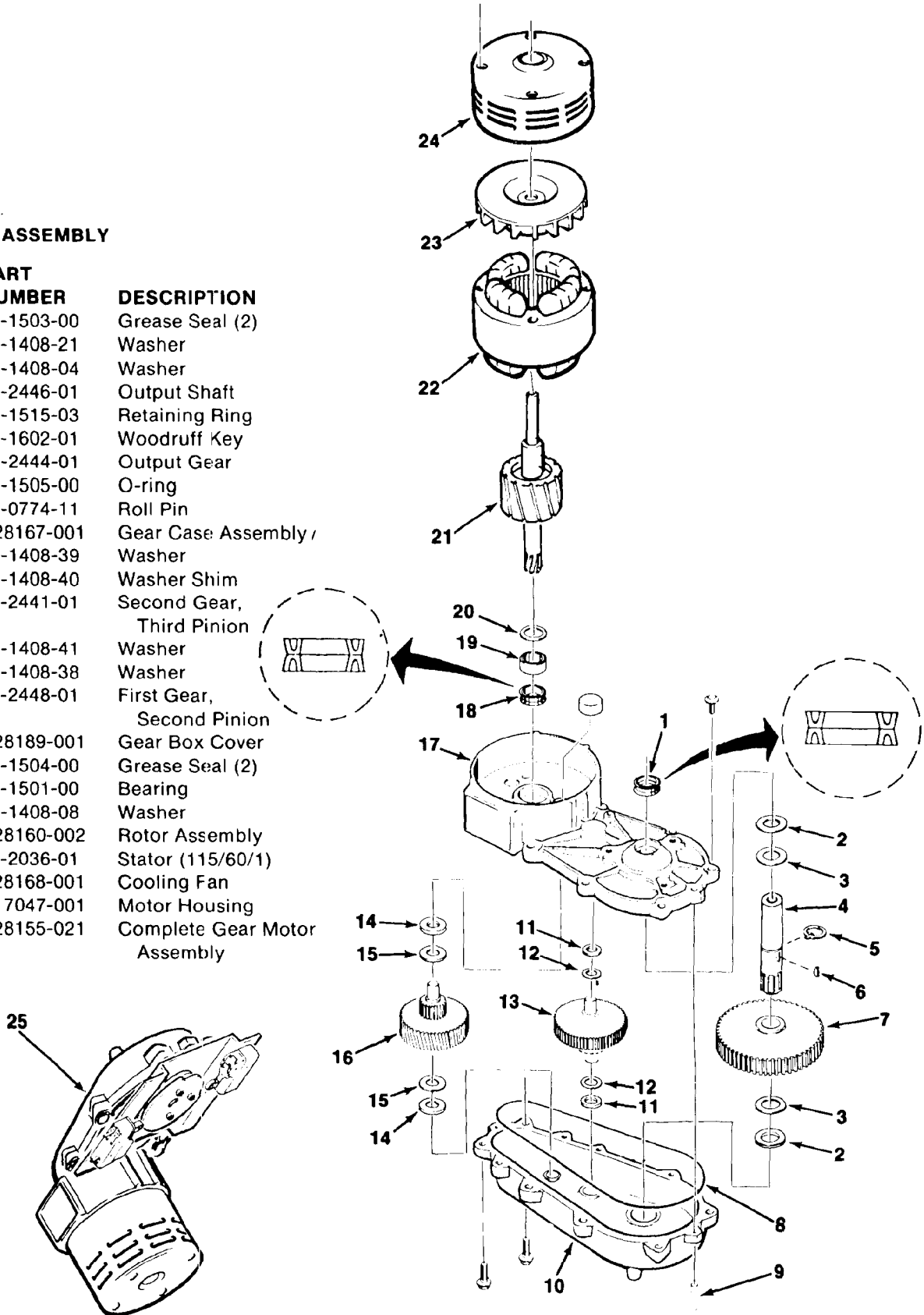
ITEM NUMBER	PART NUMBER	DESCRIPTION
1	02-2694-01	Nut, Cap
2	03-1408-26	Washer, No. 1/2 Special (Stainless Steel)
3	03-1409-16	Washer, No. 1/2 Non-Metallic
4	02-2567-01	Rotor, Bin
5	A23685-001	Washer, Support (maximum 3, to prevent rubbing)
6	03-1516-01	Ring, Retaining
7	02-2026-01	Closure, Cup
8	03-1408-27	Washer, Special
9	02-2027-01	Flinger
10	02-2186-01	Bearing Cup
	02-2186-02	Bearing Cone
11	A26108-001	Housing, Bearing
12	A26105-001	Shaft Coupling Assy
13	02-2617-01	Bin, Storage
14	03-1404-10	Screw, No. 8 x 1/2 T/F Tap
15	03-1407-02	Washer, No. 8 Plain (Stainless Steel)
16	03-1406-08	Nut, No. 1/4-20 Hex
17	03-1410-03	Lockwasher, No. 1/4 Helical Spring
18	<i>No Number</i>	Support Assembly, Bin - (R.H.)
19	03-1403-61	Screw, No. 1/4-20 x 1-1/2 Phil Recess Pan Hd
20	03-1410-04	Lockwasher, No. 5/16 Helical Spring
21	03-1405-15	Screw, No. 5/16-18 x 1/2 Hex Cap
22	A29732-001	Bracket, Double Cam
23	03-1403-18	Screw, No. 8-32 x 1/2 Phil Recess Pan Hd
24	A29734-001	Cam No. 2 - (Bottom)
25	A29733-001	Spacer, Cam
26	A26686-001	Cam - (Top)
27	03-1410-07	Lockwasher, No. 8 Helical Spring
28	03-1406-03	Nut, No. 8-32 Hex
29	03-1410-03	Lockwasher, No. 1/4 Helical Spring
30	03-1405-03	Screw, No. 1/4-20 x 1/2 Hex Cap
31	03-0886-00	Screw, No. 6-32 x 1 Pan Hd
32	A29751-001	Switch Assembly, Cam
33	A23336-001	Mount, Motor
34	<i>No Number</i>	Support Assembly, Bin - (L.H.)
35	03-1406-07	Nut, No. 10-24 Hex (Brass)
36	03-1417-04	Lockwasher, No. 10 External Tooth
37	03-1403-03	Washer, No. 10 Plain (Stainless Steel)
38	A23693-001	Cutter, Cube
39	03-1418-09	Screw, No. 10-24 x 5/8 Phil Recess Flat Hd (S/S)
40	03-1404-10	Screw, No. 8 x 1/2 T/F Tap
41	<i>No Number</i>	Holder Assembly, Bulb



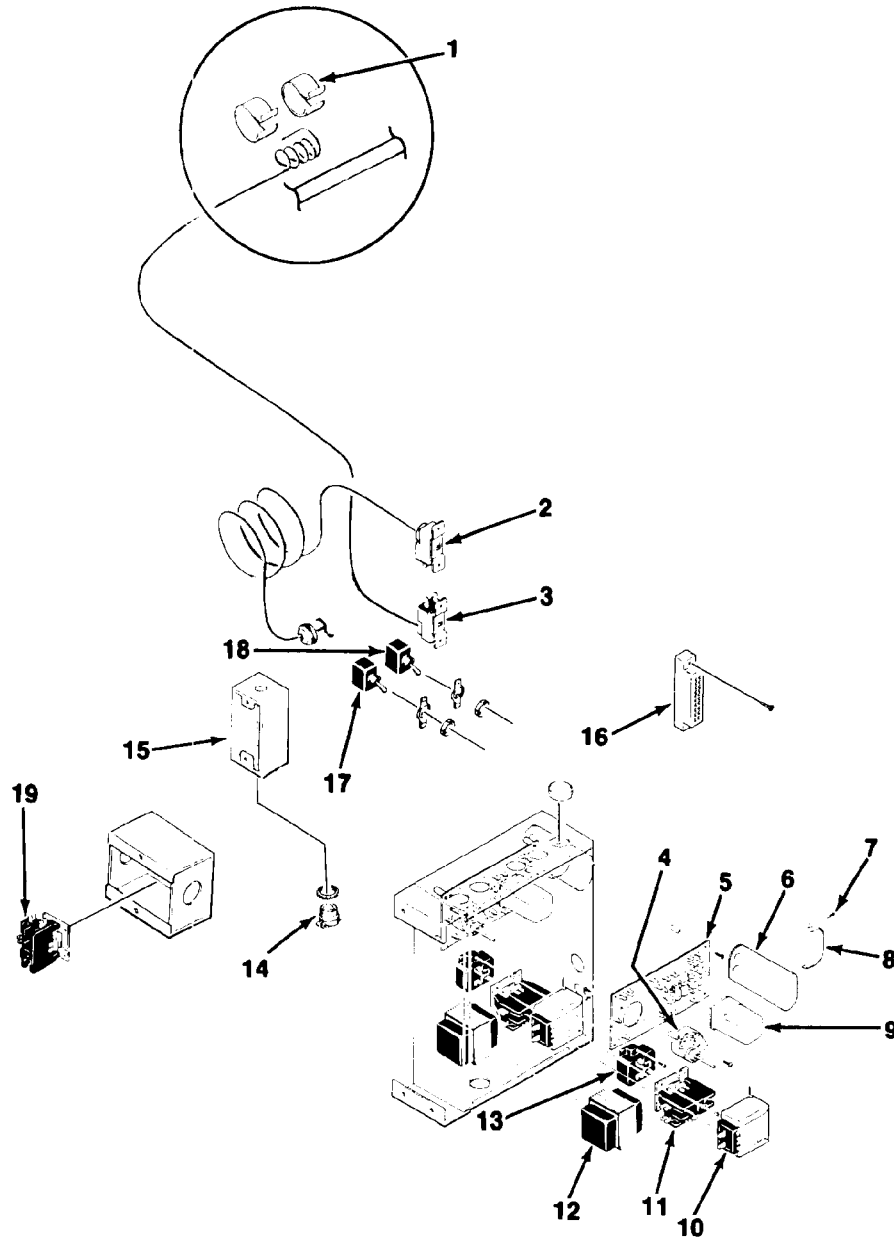
CD450 THE PARTS ILLUSTRATION AND PARTS LISTS

GEARMOTOR ASSEMBLY

ITEM NUMBER	PART NUMBER	DESCRIPTION
1	02-1503-00	Grease Seal (2)
2	03-1408-21	Washer
3	03-1408-04	Washer
4	02-2446-01	Output Shaft
5	03-1515-03	Retaining Ring
6	03-1602-01	Woodruff Key
7	02-2444-01	Output Gear
8	02-1505-00	O-ring
9	03-0774-11	Roll Pin
10	A28167-001	Gear Case Assembly /
11	03-1408-39	Washer
12	03-1408-40	Washer Shim
13	02-2441-01	Second Gear, Third Pinion
14	03-1408-41	Washer
15	03-1408-38	Washer
16	02-2448-01	First Gear, Second Pinion
17	A28189-001	Gear Box Cover
18	02-1504-00	Grease Seal (2)
19	02-1501-00	Bearing
20	03-1408-08	Washer
21	A28160-002	Rotor Assembly
22	12-2036-01	Stator (115/60/1)
23	A28168-001	Cooling Fan
24	A17047-001	Motor Housing
25	A28155-021	Complete Gear Motor Assembly



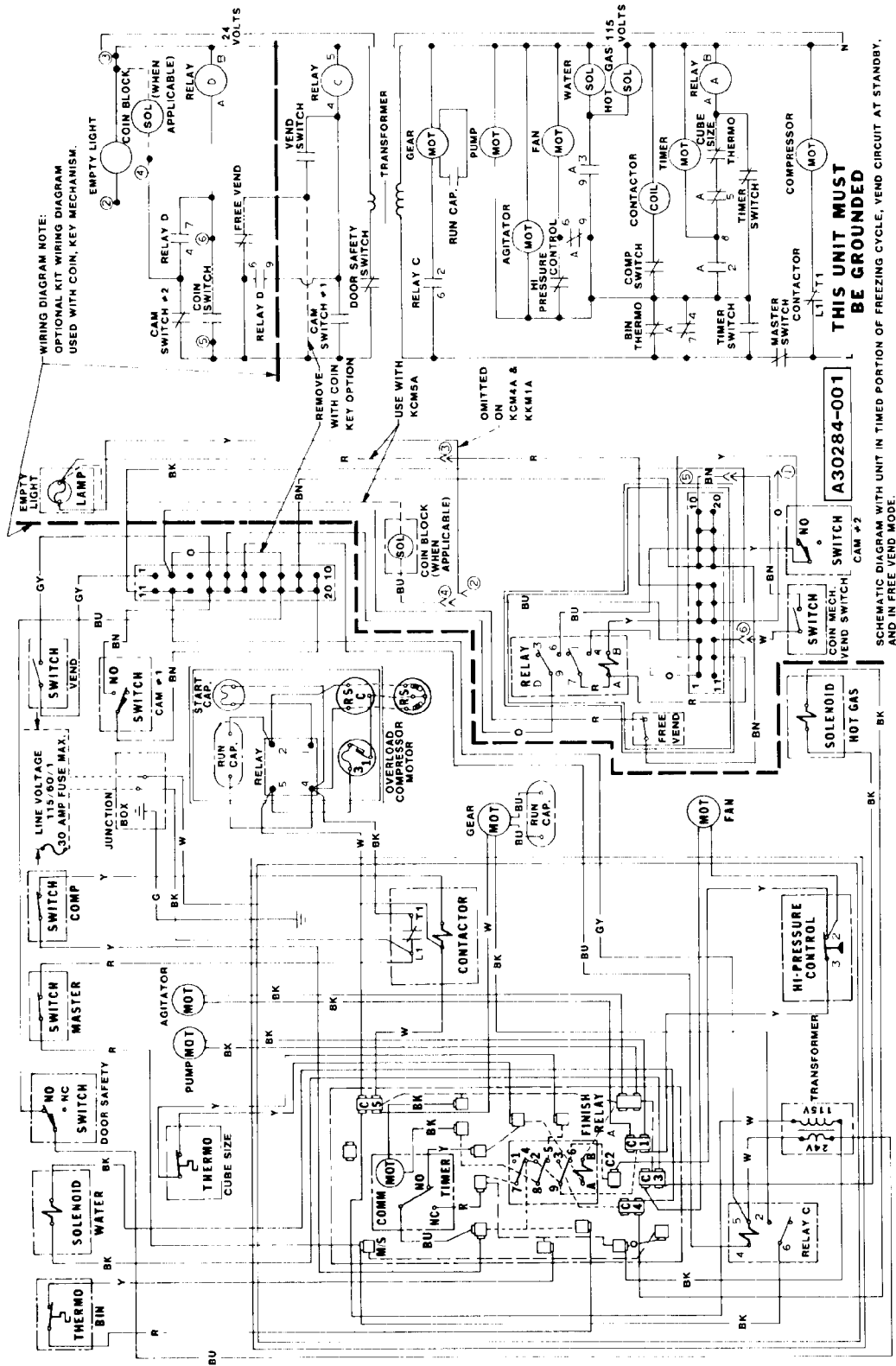
CD450 THE PARTS ILLUSTRATION AND PARTS LISTS



CONTROL BOX ASSEMBLY

ITEM NUMBER	PART NUMBER	DESCRIPTION			
1	03-1605-01	Clip Bulb Holder	10	11-0357-03	Pressure Control Water-Cooled
2	11-0399-01	Bin Thermostat		11-0352-01	Pressure Control Air-Cooled
3	11-0345-01	Cube Size Control	11	12-2041-01	Contactors
4	12-1979-01	Timer and Switch Assembly	12	12-1809-00	Transformer
5	12-1912-01	Circuit Board Assembly	13	12-1873-01	Relay C
6	18-3701-01	Capacitor-drivemotor	14	12-0350-01	Straight Connector
7	03-1403-31	Screw	15	<i>No Number</i>	Box Conduit
8	<i>No Number</i>	Strap Capacitor	16	12-2175-01	Block Terminal
9	12-1879-02	Relay	17	12-0426-01	Switch
			18	12-0426-01	Switch
			19	12-2048-01	Contactors (-6, -29 only)

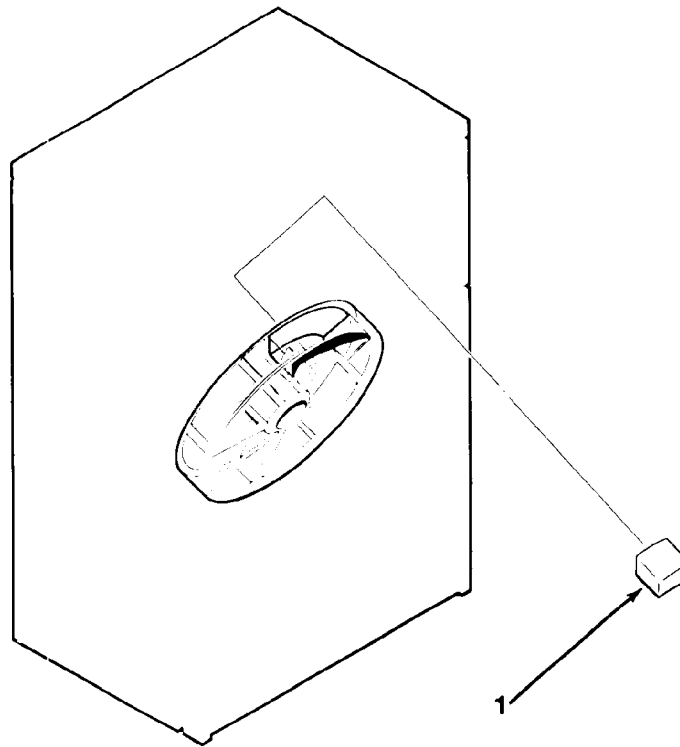
CD450 WIRING DIAGRAM



CD450 (115/60/1) Air-Cooled Model

CD450 THE PARTS ILLUSTRATION AND PARTS LISTS

A27654-001 VEND PORTION KIT



A27654-001

ITEM NUMBER	PART NUMBER	DESCRIPTION
1	A27654-001	Vend Portion Kit

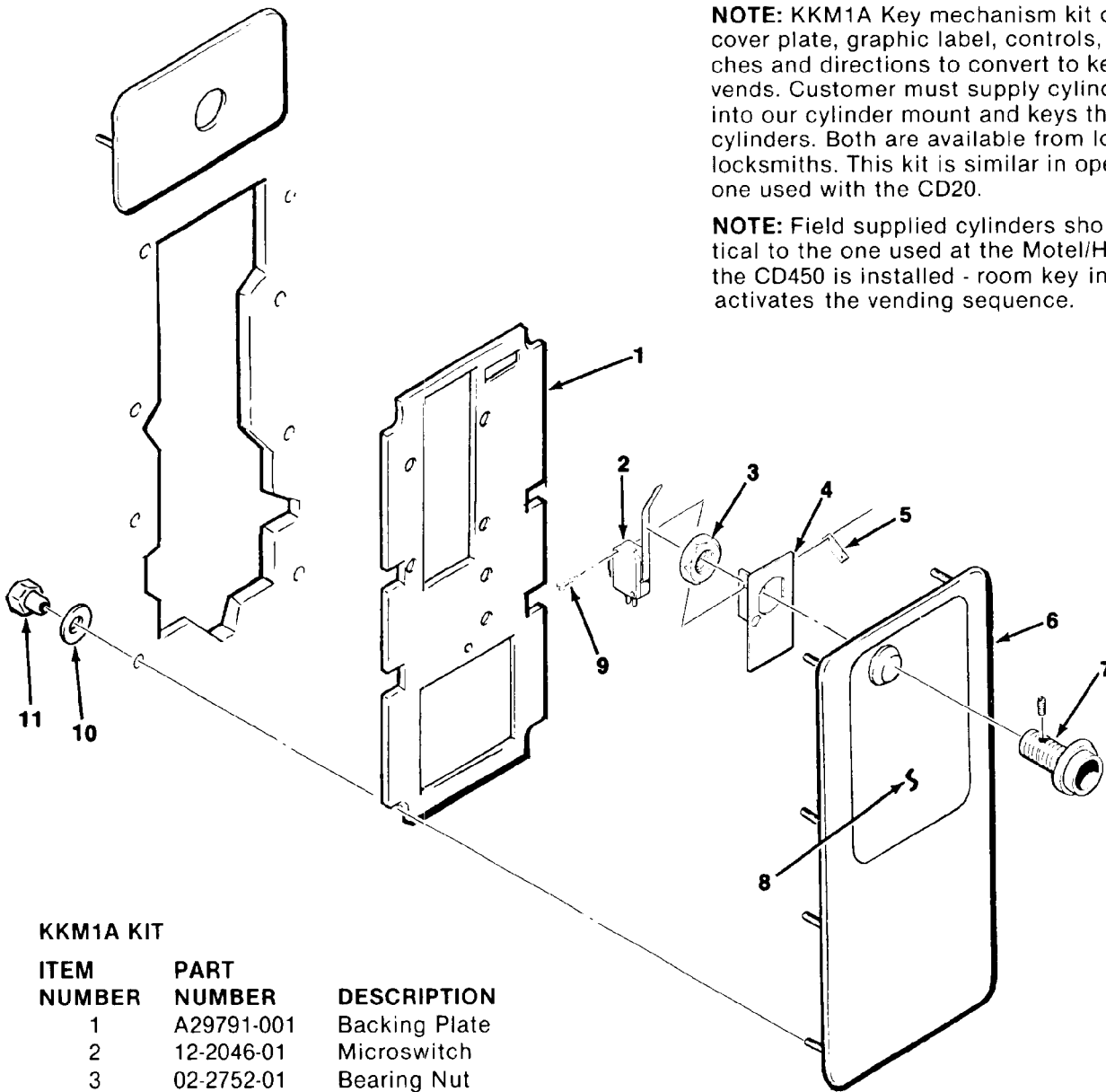
A27654-001: Vend portion kit; adapter reduces standard 1-3/4 lb. vend to either 1-1/8 or 7/8 lb.

CD450 THE PARTS ILLUSTRATION AND PARTS LISTS

KKM1A KEY MECHANISM KIT

NOTE: KKM1A Key mechanism kit consisting of cover plate, graphic label, controls, relays, switches and directions to convert to key operated vends. Customer must supply cylinders that fit into our cylinder mount and keys that fit the cylinders. Both are available from local locksmiths. This kit is similar in operation to the one used with the CD20.

NOTE: Field supplied cylinders should be identical to the one used at the Motel/Hotel where the CD450 is installed - room key insertion activates the vending sequence.



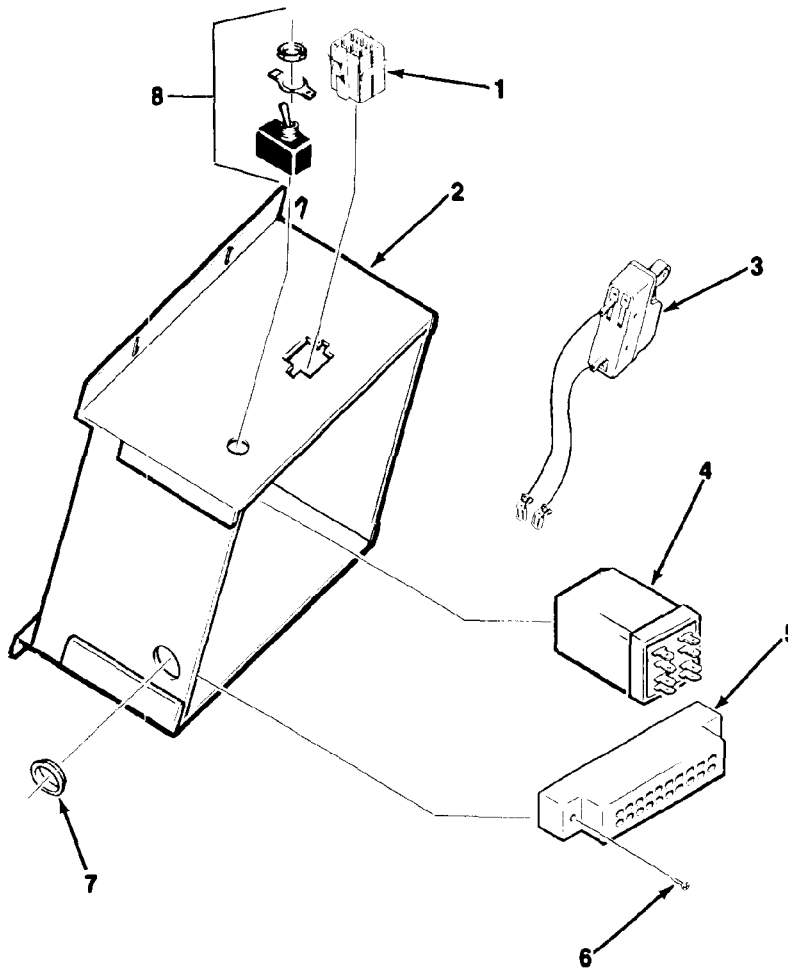
KKM1A KIT

ITEM NUMBER	PART NUMBER	DESCRIPTION
1	A29791-001	Backing Plate
2	12-2046-01	Microswitch
3	02-2752-01	Bearing Nut
4	A26500-001	Bracket
5	A22053-000	Twin Nut
6	A29709-003	Cover Plate (Painted)
	A29709-001	Cover Plate (Stainless Steel)
7	02-2751-01	Cylinder Mount
8	15-0674-08	Graphic Label
9	03-1403-76	Screw
10	03-1407-05	Washer
11	03-1406-07	Nut

KKM1A: Key operated kit. Includes faceplate and cylinder holder.

CD450 THE PARTS ILLUSTRATIONS AND PARTS LISTS

KKM1A RELAY BOX ASSEMBLY

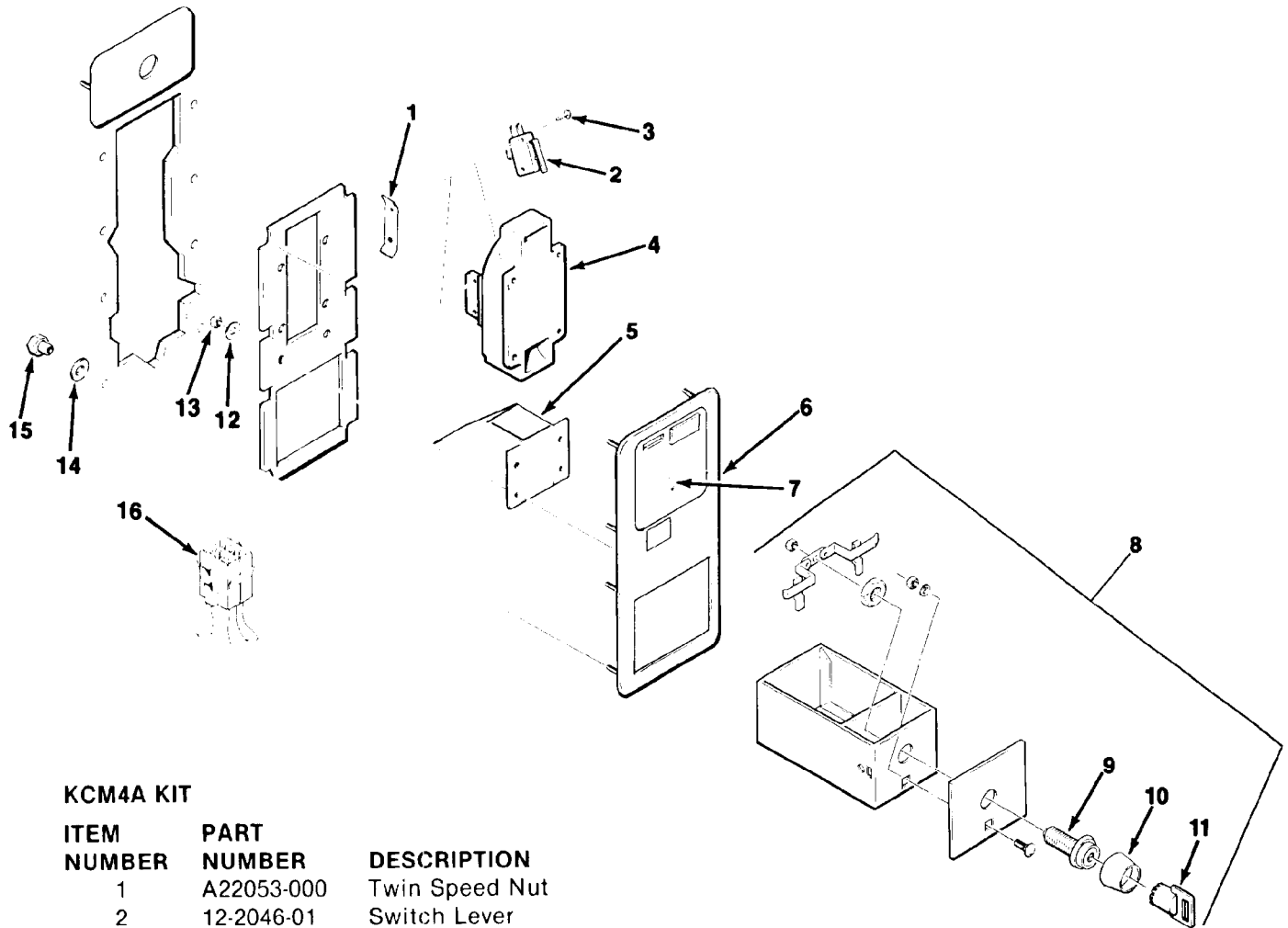


KKM1A KIT

ITEM NUMBER	PART NUMBER	DESCRIPTION
1	12-2187-02	Wire Harness
2	<i>No Number</i>	Relay Box
3	12-0876-00	Cam Switch
4	12-2090-02	Relay
5	12-2175-01	Terminal Block
6	03-1403-08	Screw
7	12-1213-10	Bushing
8	12-0426-01	Switch

CD450 THE PARTS ILLUSTRATION AND PARTS LISTS

KCM4A COIN MECHANISM KIT



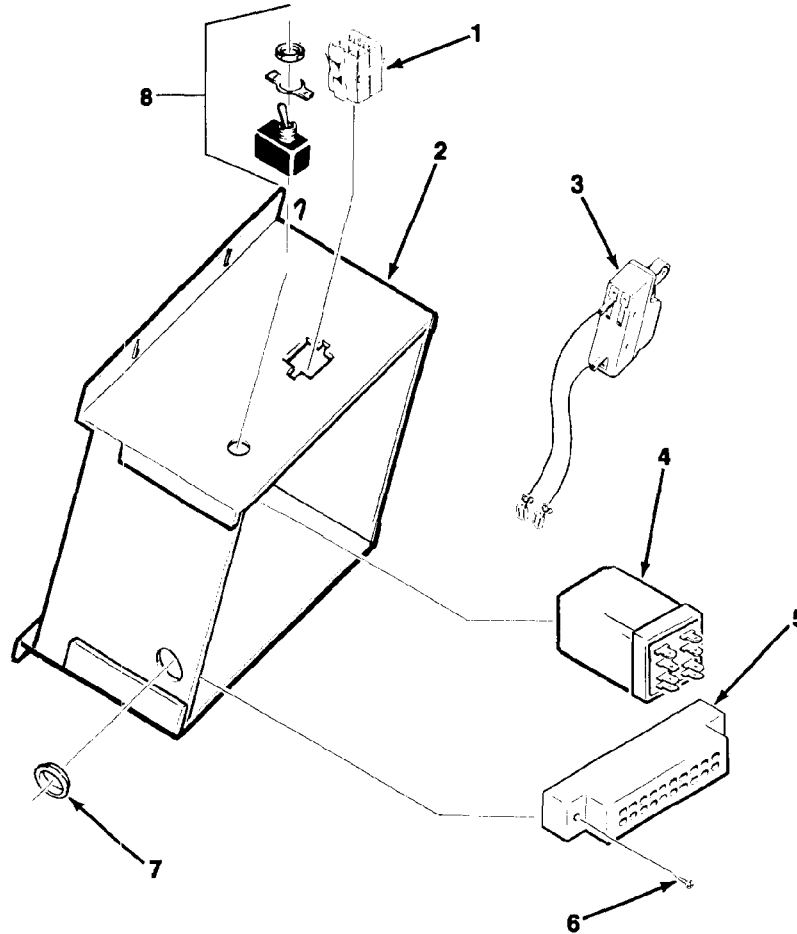
KCM4A KIT

ITEM NUMBER	PART NUMBER	DESCRIPTION
1	A22053-000	Twin Speed Nut
2	12-2046-01	Switch Lever
3	03-1403-63	Screw
4	A27101-001	Coin Mechanism Body
5	No Number	Coin Chute Fab. Assembly
6	15-0674-09	Graphic Label
7	A29710-002	Cover Plate Enamel
	A29710-001	Cover Plate
8	A28907-001	Coin Box Assembly
9	02-2435-01	Reset Lock
10	02-2435-02	Collar
11	02-2435-04	Service Key
12	03-1417-18	Lockwasher
13	03-1406-01	Nut
14	03-1407-05	Washer
15	03-1406-07	Nut
16	12-2188-02	Wire Harness

KCM4A: Scotsman coin mechanism. Includes front access security lock, coin box and faceplate. For single Quarter operation only. Coin is not returned if bin is empty.

CD450 THE PARTS ILLUSTRATIONS AND PARTS LISTS

KCM4A RELAY BOX ASSEMBLY

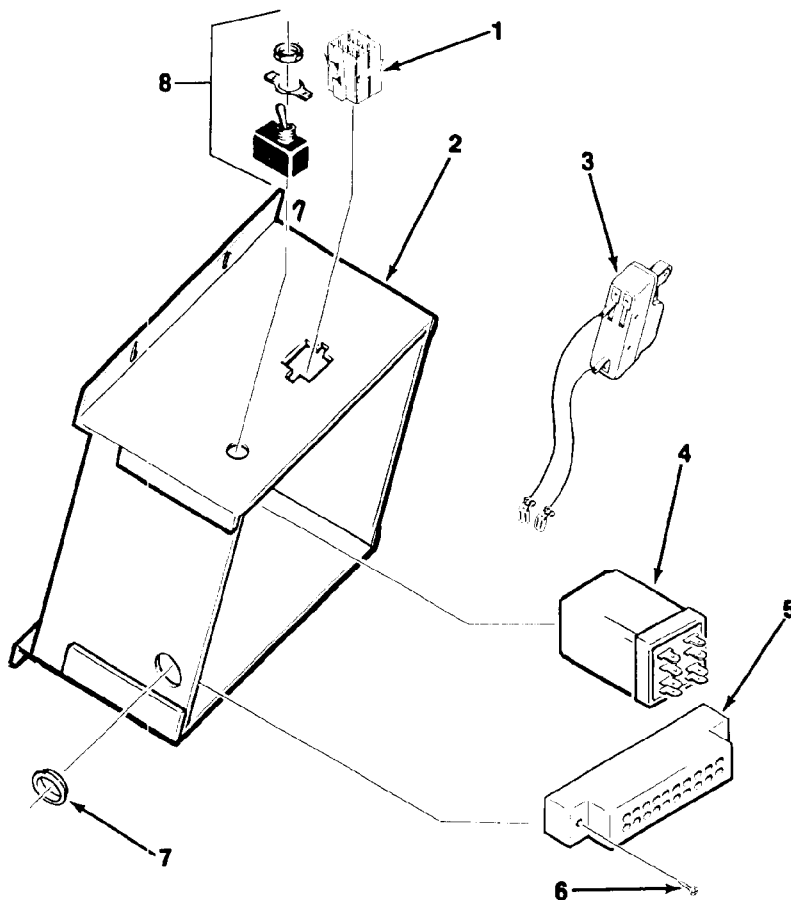


KCM4A KIT

ITEM NUMBER	PART NUMBER	DESCRIPTION
1	12-2187-02	Wire Harness
2	No Number	Relay Box
3	12-0876-00	Cam Switch
4	12-2090-02	Relay
5	12-2175-01	Terminal Block
6	03-1403-08	Screw
7	12-1213-10	Bushing
8	12-0426-01	Switch

CD450 THE PARTS ILLUSTRATION AND PARTS LISTS

KCM5A ADAPTER KIT



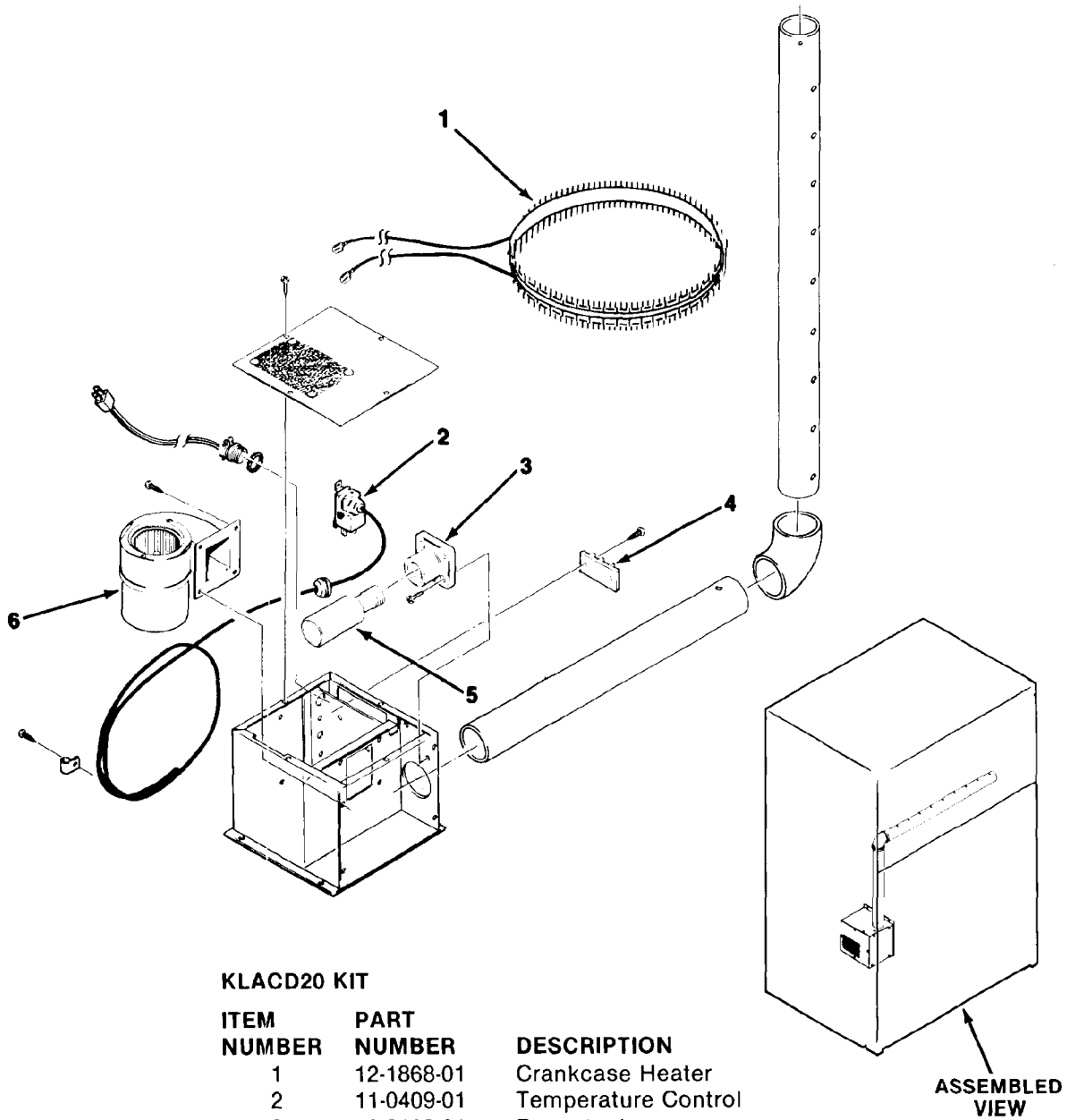
KCM5A KIT

ITEM NUMBER	PART NUMBER	DESCRIPTION
1	12-2187-02	Wire Harness
2	No Number	Relay Box
3	12-0876-00	Cam Switch
4	12-2090-02	Relay
5	12-2175-01	Terminal Block
6	03-1403-08	Screw
7	12-1213-10	Bushing
8	12-0426-01	Switch

KCM5A: Adapter Kit only, to mount Coin Mechanisms, Inc. 25¢, 50¢, 75¢ accumulator model 2022-30-C3 or 25¢ non-accumulator model 2022-30-C4. Includes faceplate, relay box, and labels. Coin mechanisms and parts for them are purchased from Coin Mechanisms, Inc., not from Scotsman.

CD450 THE PARTS ILLUSTRATION AND PARTS LISTS

KLACD20 LOW AMBIENT KIT



KLACD20 KIT

ITEM NUMBER	PART NUMBER	DESCRIPTION
1	12-1868-01	Crankcase Heater
2	11-0409-01	Temperature Control
3	12-2139-01	Receptacle
4	12-0813-04	Terminal Strip
5	12-2138-01	Heater
6	11-0408-01	Blower

KLACD20: Low ambient kit. Allows the machine to dispense at lower range ambient temperatures. Heats storage bin air to avoid ice freezing together.