

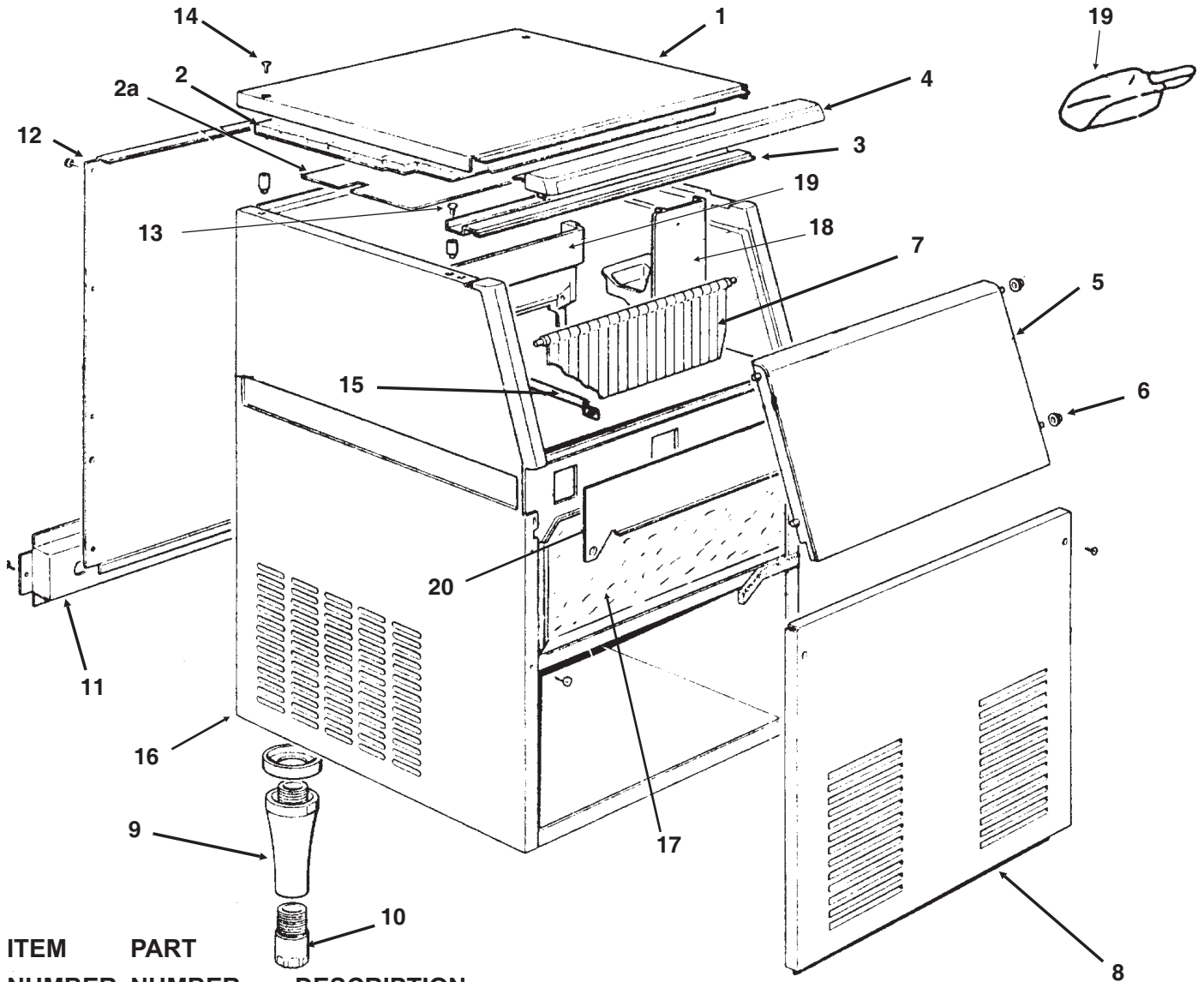
CS60 Service Parts

This is the parts list for the CS60. Always check the description to be certain that it matches the part required.

Table of Contents

| | |
|---------------------------|--------|
| Cabinet | page 2 |
| Water System | page 3 |
| Refrigeration | page 4 |
| Control Box | page 5 |
| Wiring Diagrams | page 6 |

CS60 Service Parts CABINET

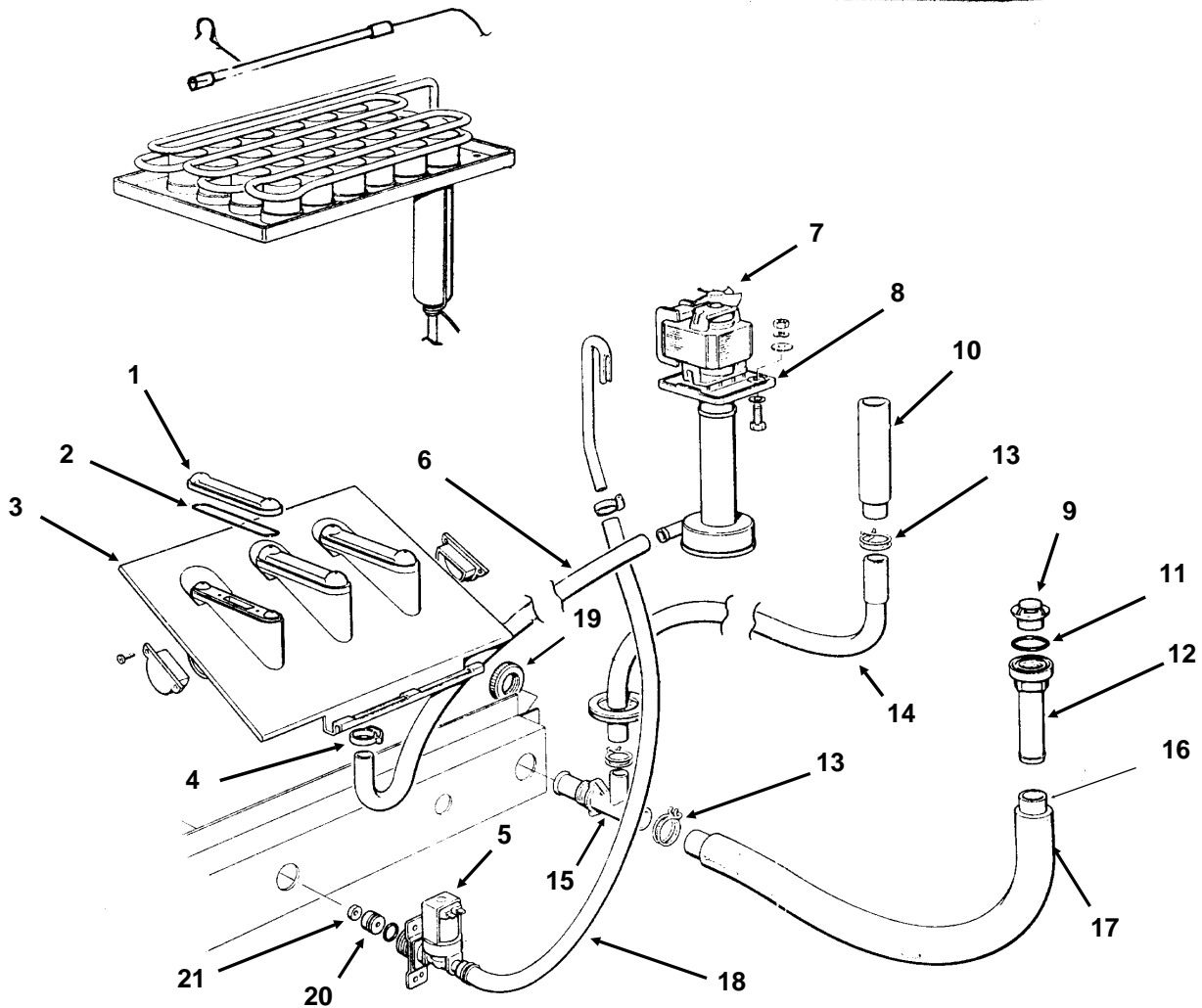


| ITEM NUMBER | PART NUMBER | DESCRIPTION |
|-------------|-------------|------------------|
| 1. | 0701939-03 | Top panel |
| 2. | 0784378-00 | Insulation |
| 2a. | 0742033-00 | Cover |
| 3. | 0721455-00 | Brace |
| 4. | 0660468-00 | Upper Door Frame |
| 5. | 0792009-06 | Door |
| 6. | 0660286-00 | Door Bushing (4) |
| 7. | 0784169-09 | Curtain |
| 8. | 0701937-09 | Front panel, |
| 9. | 0660466-00 | Leg |
| | 0660516-00 | Leg spacer |
| 10. | 0660258-01 | Leg Leveler |

| ITEM NUMBER | PART NUMBER | DESCRIPTION |
|-------------|-------------|----------------------|
| 11. | 0701945-01 | Lower back panel, |
| 12. | 0702179-00 | Back panel |
| 13. | 0470000-03 | Screw |
| 14. | 0470002-00 | Screw |
| 15. | 0732017-00 | Bin Thermo Bracket |
| 16. | 0781306-20 | Unit frame |
| 17. | F060498-01 | Storage Bin Assembly |
| 18. | 0742101-03 | Pump bracket |
| | 0669469-01 | Curtain bracket |
| 19. | 02-3253-01 | Scoop |
| 20. | 0721451-04 | Front plate |

CS60 Service Parts

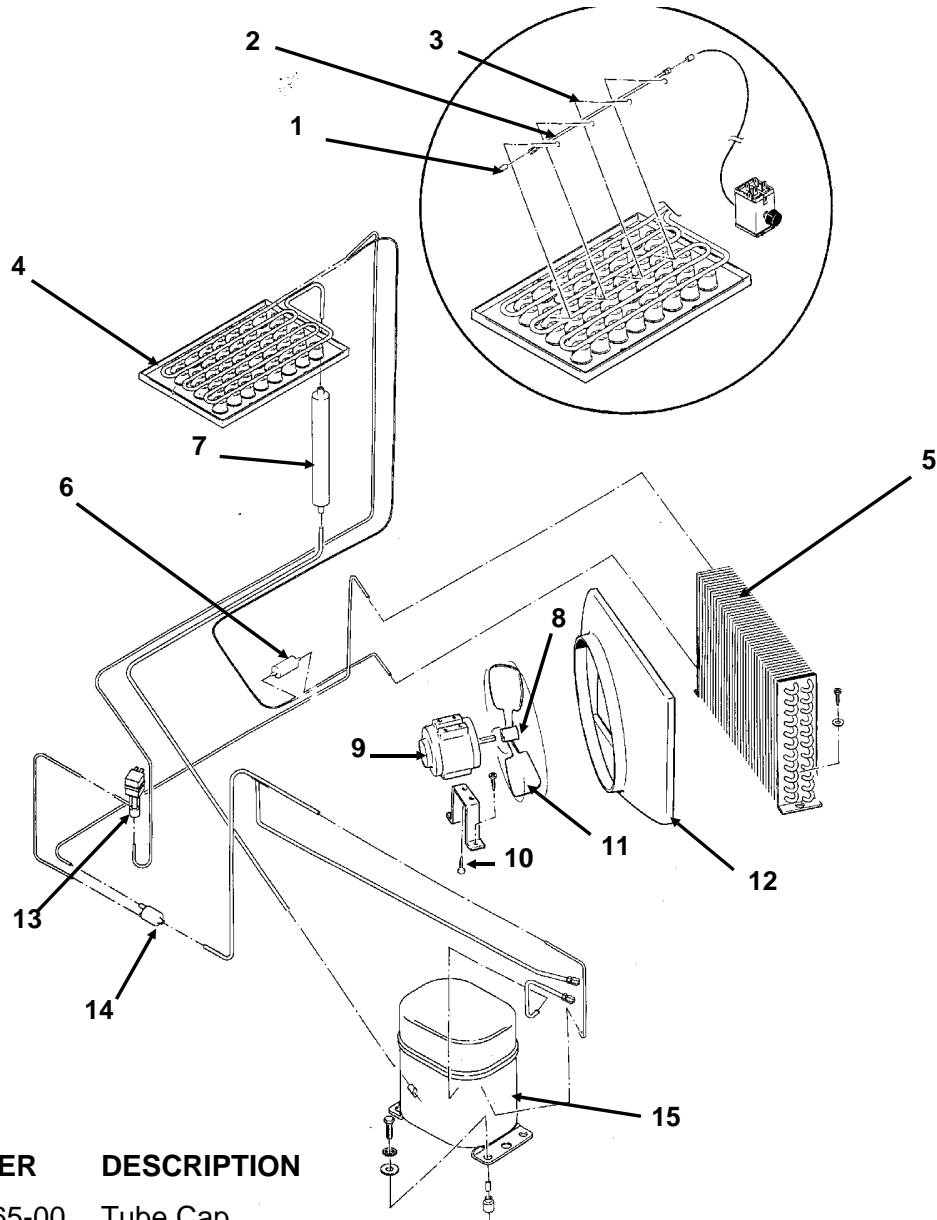
Water System



| ITEM NUMBER | PART NUMBER | DESCRIPTION | ITEM NUMBER | PART NUMBER | DESCRIPTION |
|-------------|-------------|-------------------------|-------------|-------------|--------------------|
| 1. | 0660519-02 | Spray nozzle | 13. | 0460004-00 | Hose Clamp |
| 2. | 0640041-20 | Gasket | 14. | 0610159-02 | Drain tube |
| 3. | 0793129-02 | Spray system (complete) | 15. | 0660224-00 | Drain Fitting |
| 4. | 0650499-01 | Hose Clamp | 16. | 0610148-11 | Bin Drain Hose |
| 5. | A32405-001 | Inlet Water Valve | 17. | 0744014-05 | Drain Hose Insul. |
| 6. | 0610166-00 | Hose, Pump To Jets | 18. | 0743118-06 | Supply Hose, 680mm |
| 7. | 0660463-02 | Pump Fan | 19. | 0660535-00 | Ring Nut |
| 8. | A32588-020 | Water Pump | 20. | no number | part of item 5 |
| 9. | 0660211-01 | Drain Top | 21. | no number | part of item 5 |
| 10. | 0660387-01 | Stand pipe | Not Shown, | | |
| 11. | 0640134-00 | O-ring | 22. | 0533238 | Inlet Water |
| 12. | 0660219-01 | Drain Tube Fitting | | | Adaptor (optional) |

CS60 Service Parts

REFRIGERATION

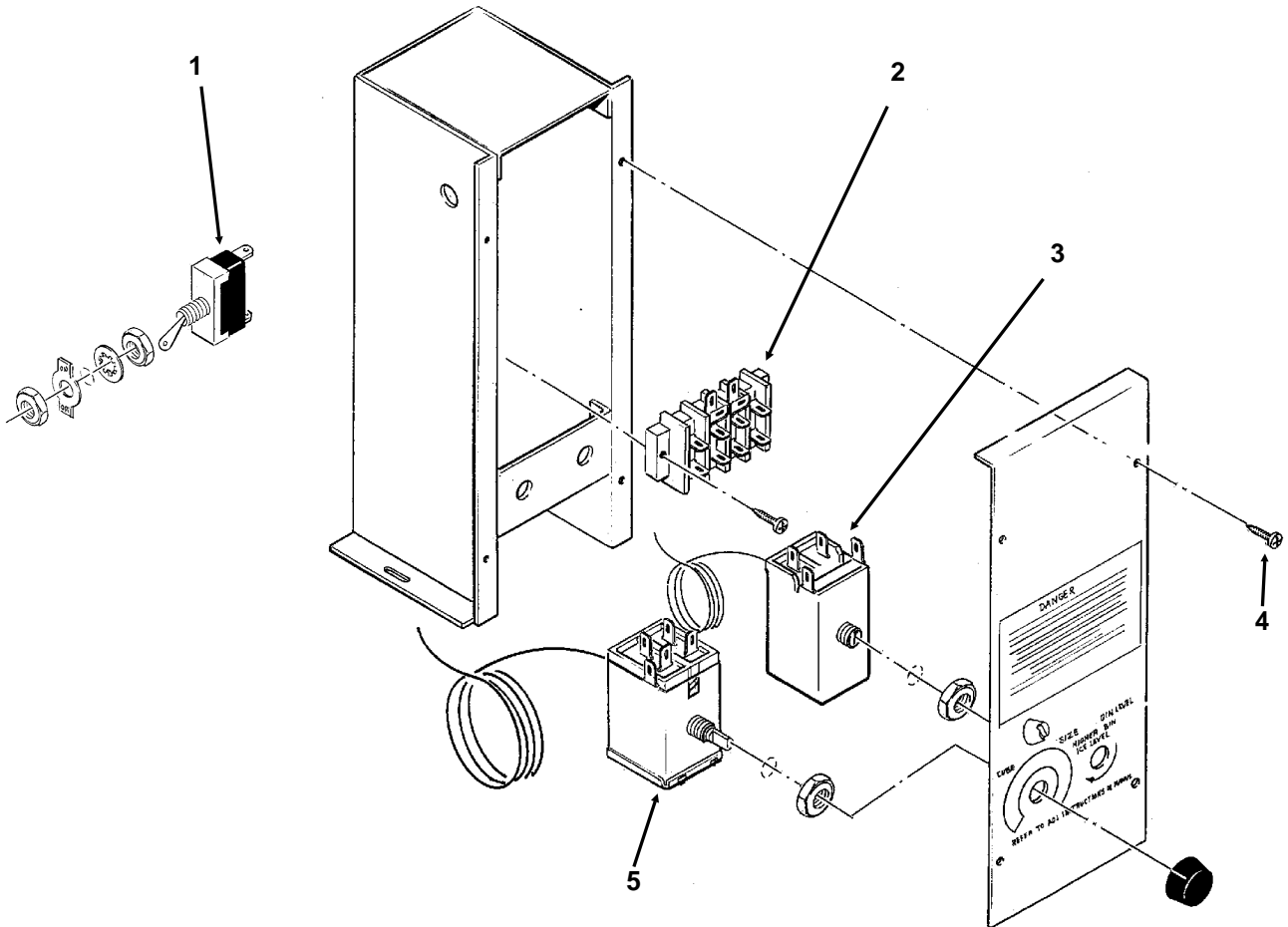


| ITEM NUMBER | PART NUMBER | DESCRIPTION |
|-------------|-------------|--|
| 1. | 0660465-00 | Tube Cap |
| 2. | 0660340-05 | Tube |
| 3. | 0650475-00 | Tube Clip |
| 4. | 0784297-00 | Evaporator |
| 5. | 0620276-02 | Condenser |
| 6. | 0630003-05 | Drier |
| 7. | 0784423-01 | Accumulator/suction Line |
| 8. | 0650476-00 | Fan Nut |
| 9. | 18-8723-01 | Fan Motor |
| 10. | 0420800-00 | Screw |
| 11. | 18-8725-01 | Fan Blade |
| 12. | 0660484-01 | Fan Shroud |
| 13. | 12-2007-01 | Hot Gas Valve Body |
| | 12-2008-01 | Hot Gas Valve Coil |
| 14. | 0630020-01 | Strainer |
| 15. | 18-8925-01 | Compressor, includes starting components |
| | F620167-17 | Start cap for original comp. |
| | F620057-36 | Relay for original comp. |
| | F620058-66 | Overload for original comp. |
| | 18-1901-62 | Start capacitor for 18-8925-01 |
| | 18-1903-63 | Relay for 18-8925-01 |

Note: 18-8925-01 is Copeland ARB21C-1AA-201

CS60 Service Parts

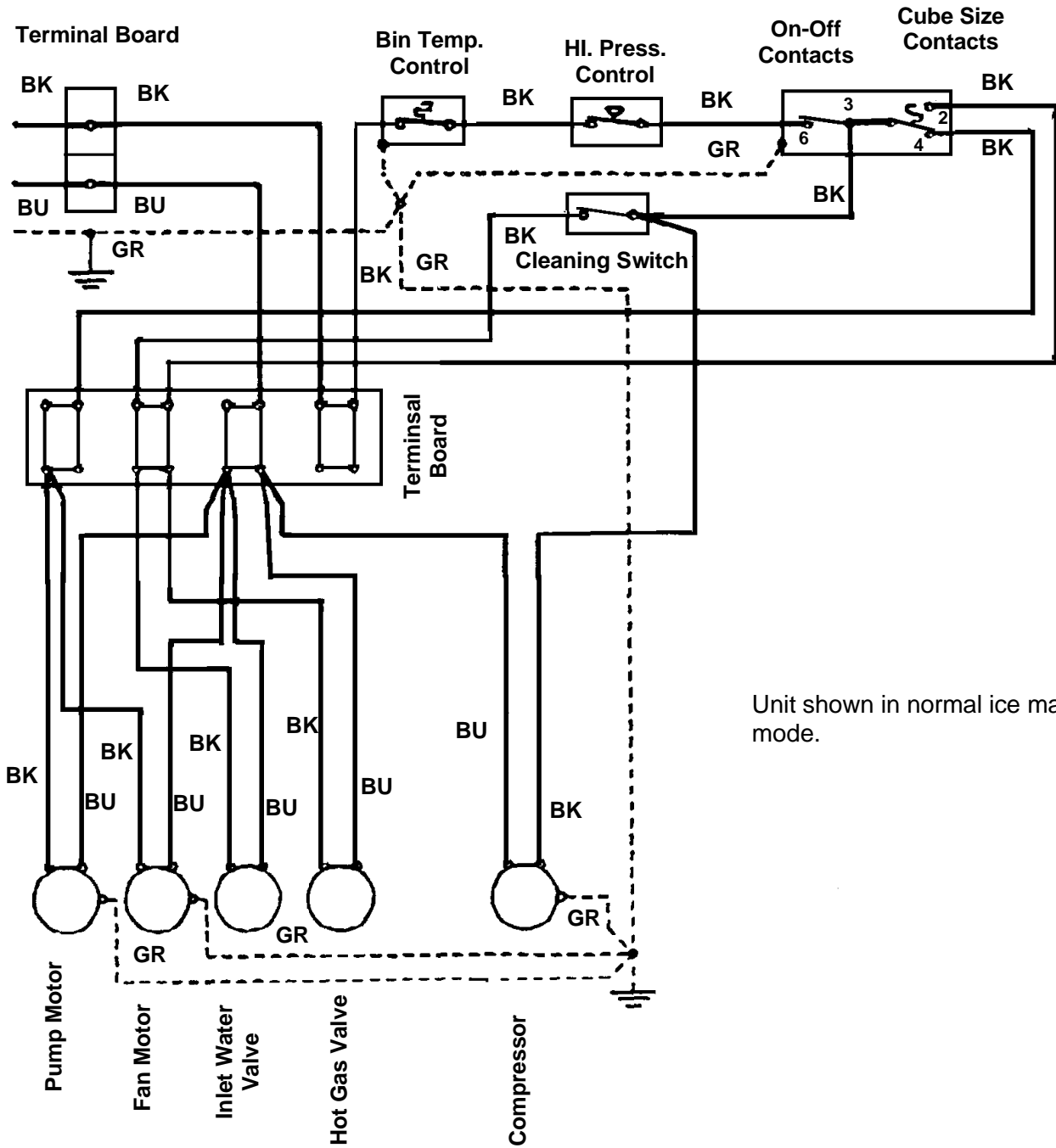
CONTROL BOX



| ITEM NUMBER | PART NUMBER | DESCRIPTION |
|-------------|-------------|---------------------|
| 1. | 0620033-01 | Toggle Switch |
| 2. | 0630114-01 | Terminal Board |
| 3. | 0620209-00 | Bin Thermostat |
| 4. | no number | Screw |
| | 0440063-00 | Lockwasher |
| 5. | 0620264-11 | Cube Size Control |
| Not Shown | | |
| 6 | 0620075-03 | Hi pressure cut out |

CS60 Service Parts

COMPONENT LAYOUT DIAGRAM



Unit shown in normal ice making mode.

CS60 Service Parts SCHEMATIC DIAGRAM

