

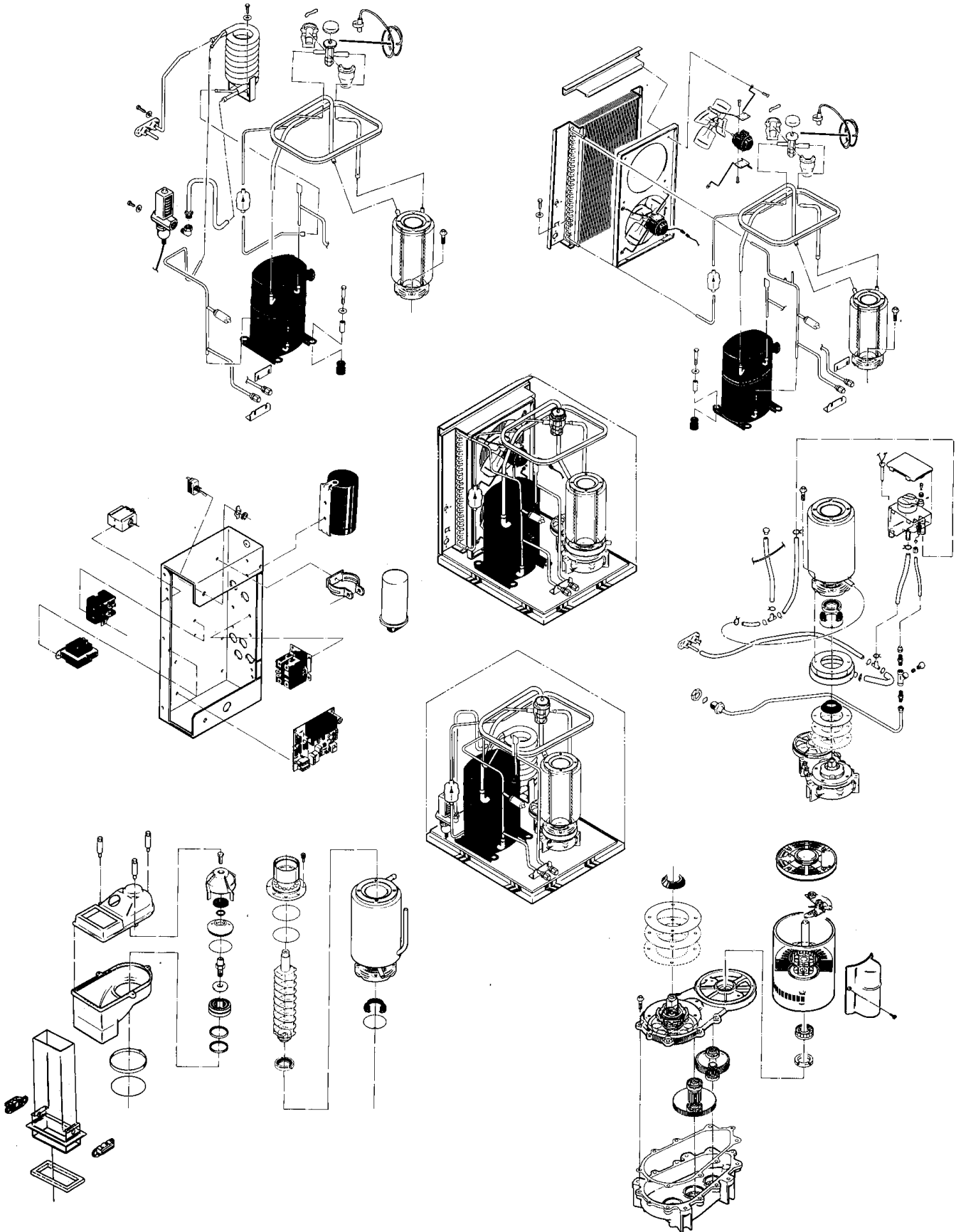
# FM1200 SERVICE PARTS

This parts list contains the service parts and wiring diagrams for this model. Check the model number in question to be sure that it is applicable to this parts list.

## TABLE OF CONTENTS

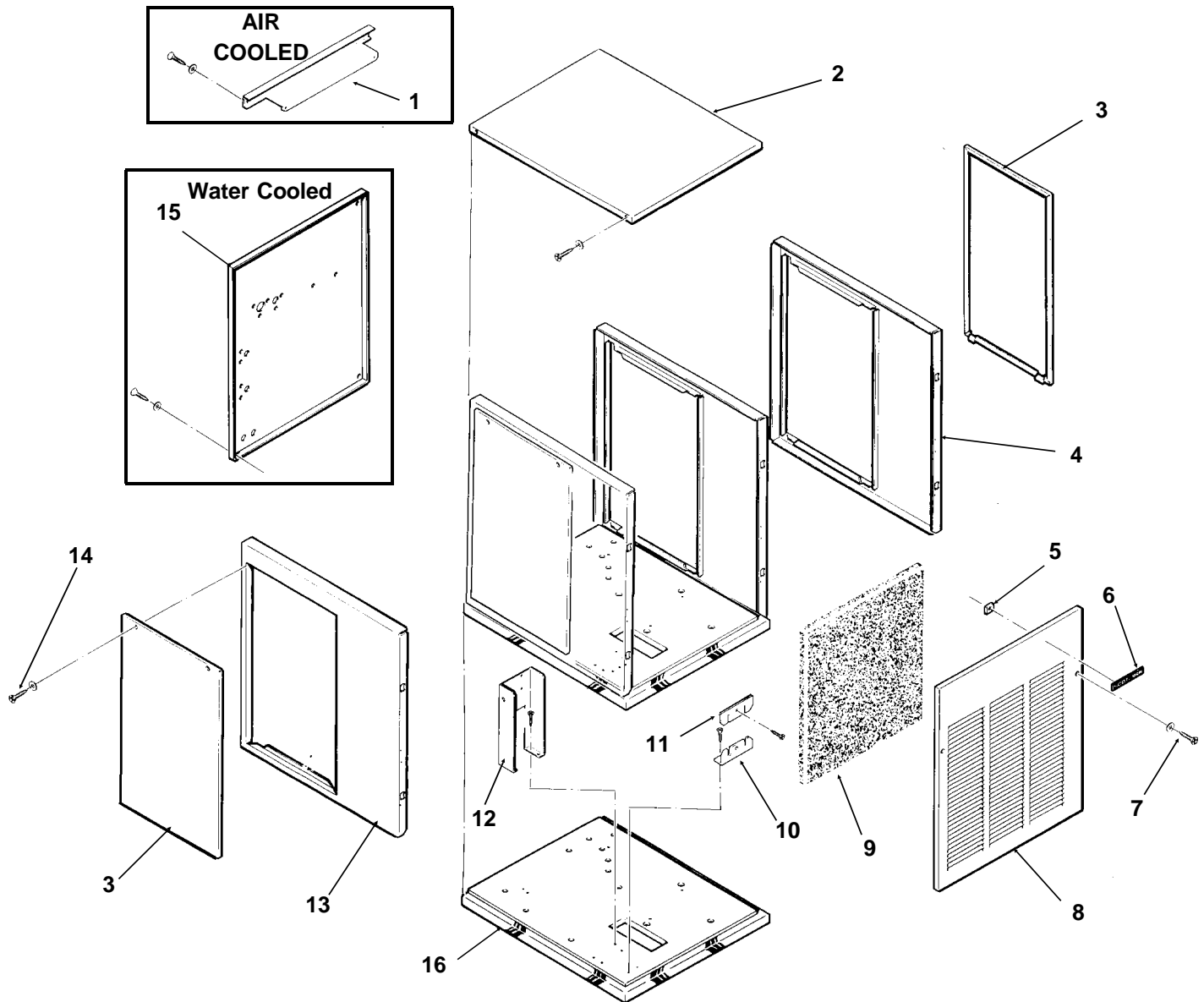
|                                 |   |
|---------------------------------|---|
| Cabinet .....                   | 2 |
| Air Cooled Refrigeration.....   | 3 |
| Water Cooled Refrigeration..... | 4 |
| Water System.....               | 5 |
| Gearmotor.....                  | 6 |
| Evaporator .....                | 7 |
| Control Box.....                | 8 |
| Wiring Diagrams.....            | 9 |

# FM1200 SERVICE PARTS



# FM1200 SERVICE PARTS

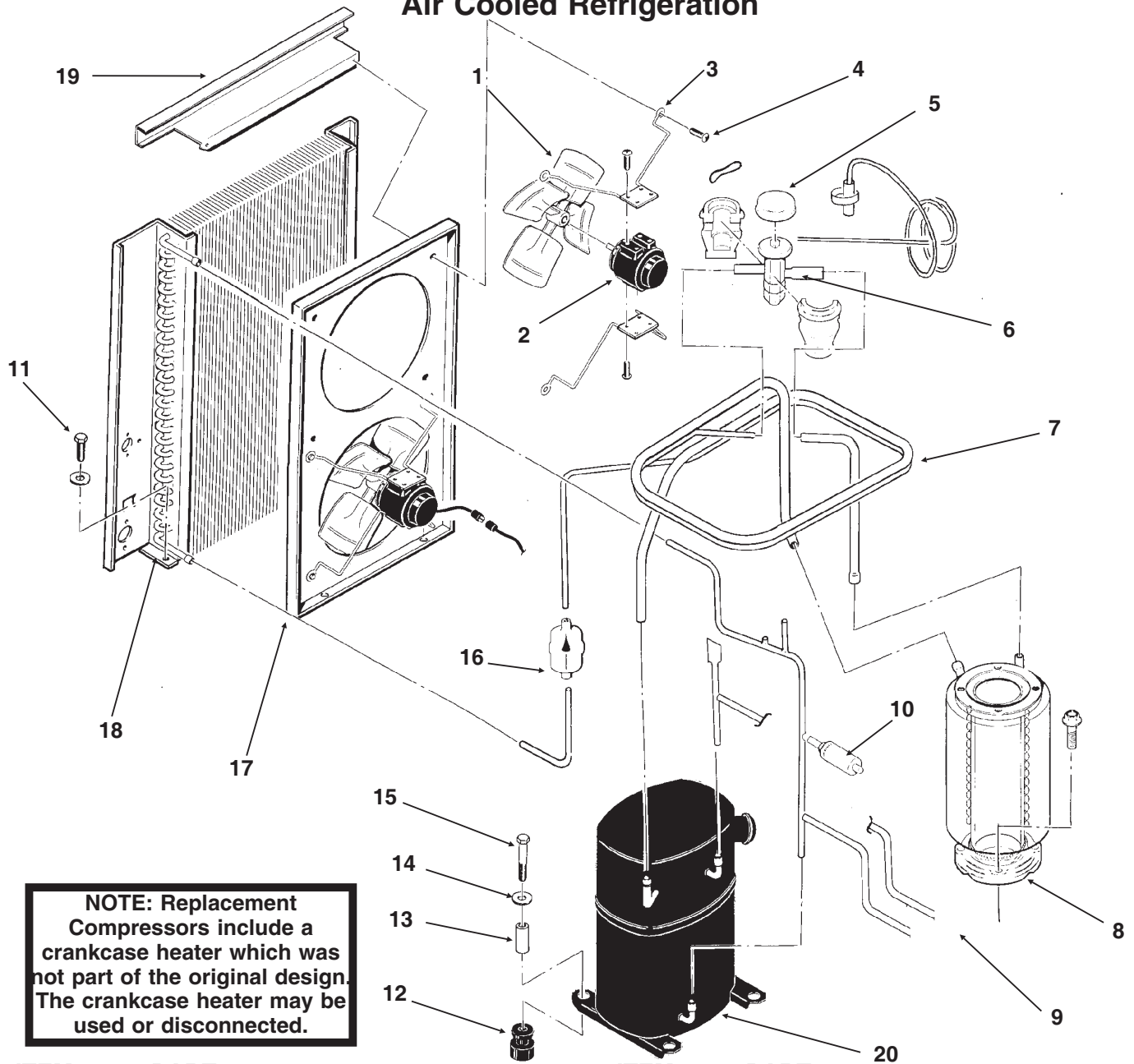
## Cabinet Assembly



| ITEM NUMBER | PART NUMBER | DESCRIPTION               | ITEM NUMBER | PART NUMBER | DESCRIPTION                           |
|-------------|-------------|---------------------------|-------------|-------------|---------------------------------------|
| 1           | A33233-001  | Condenser Support         | 9           | 02-2976-01  | Filter Assembly                       |
| 2           | A33256-001  | Top Panel, Painted        | 10          | A31462-001  | Tube Bracket                          |
|             | A33256-002  | Top Panel, S.S.           | 11          | A31461-001  | Tube Bracket                          |
| 3           | A34038-001  | Service Panel, Painted    | 12          | A34039-001  | Control Box Support                   |
|             | A34038-002  | Service Panel, S.S.       | 13          | A32435-001  | Left Side Panel, Painted              |
| 4           | A33292-001  | Right Side Panel, Painted |             | A32435-002  | Left Side Panel, S.S.                 |
|             | A33292-002  | Right Side Panel, S.S.    | 14          | 03-1404-12  | Screw                                 |
| 5           | 03-0271-00  | Speed Clip                | 15          | A33252-001  | Rear Panel, Water Cooled Painted Only |
| 6           | 15-0711-01  | Emblem                    |             |             |                                       |
| 7           | 03-1419-08  | Screw                     | 16.         | A34042-001  | Base                                  |
| 8           | A33255-001  | Front Panel, Painted      |             |             |                                       |
|             | A33255-002  | Front Panel, S.S.         |             |             |                                       |

# FM1200 Service Parts

## Air Cooled Refrigeration

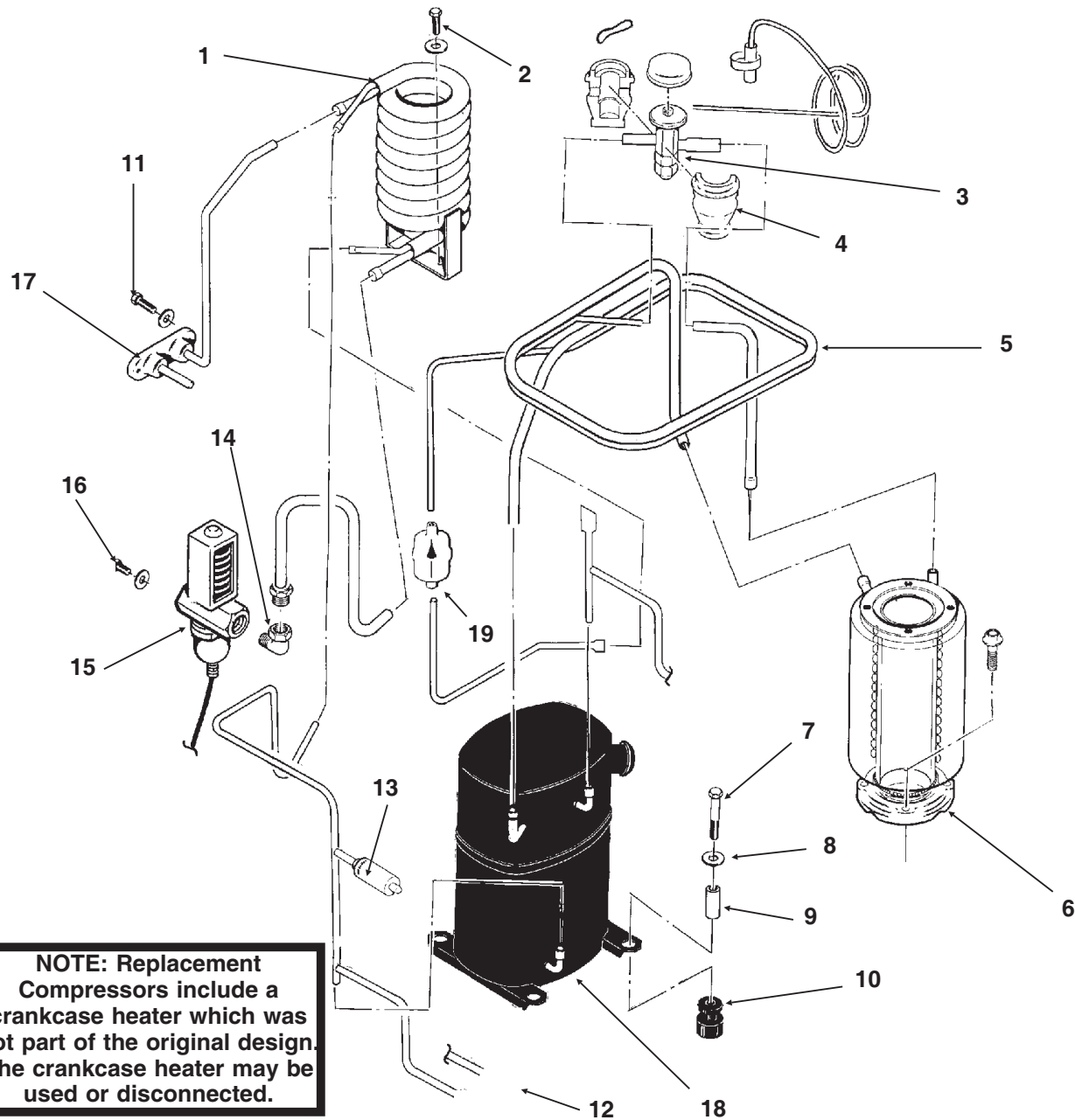


**NOTE: Replacement Compressors include a crankcase heater which was not part of the original design. The crankcase heater may be used or disconnected.**

| ITEM NUMBER | PART NUMBER | DESCRIPTION              | ITEM NUMBER | PART NUMBER | DESCRIPTION   |
|-------------|-------------|--------------------------|-------------|-------------|---|
| 1           | 18-3815-01  | Fan Blade                | 12          | 18-6800-01  | Grommet   |
| 2           | 12-1576-02  | Fan Motor (with screws)  | 13          | 18-2300-26  | Sleeve  |
| 3           | 02-2378-01  | Fan Bracket              | 14          | 03-1407-07  | Washer  |
| 4           | 03-1531-01  | Screw                    | 15          | 03-1405-20  | Cap Screw   |
| 5           | A32961-020  | Insulation Kit (3 piece) | 16          | 02-3319-02  | Dryer   |
| 6           | 16-0780-21  | Thermo Expansion Valve   | 17          | A33231-001  | Fan Shroud  |
| 7           | A34050-001  | Suction Line             | 18          | 18-7202-01  | Condenser   |
| 8           | A32890-020  | Evaporator               | 19          | A33233-001  | Condenser Mount   |
| 9           | 16-0560-00  | Valve Core               | 20          | 18-8879-21  | Compressor (1 phase)  |
| 10          | 11-0446-23  | Hi Pressure Cut Out      |             | 18-8879-22  | Compressor (3 phase)  |
| 11          | 03-1645-01  | Screw                    |             |             | (both are 208-230 volt and have internal overloads & crankcase heaters) |

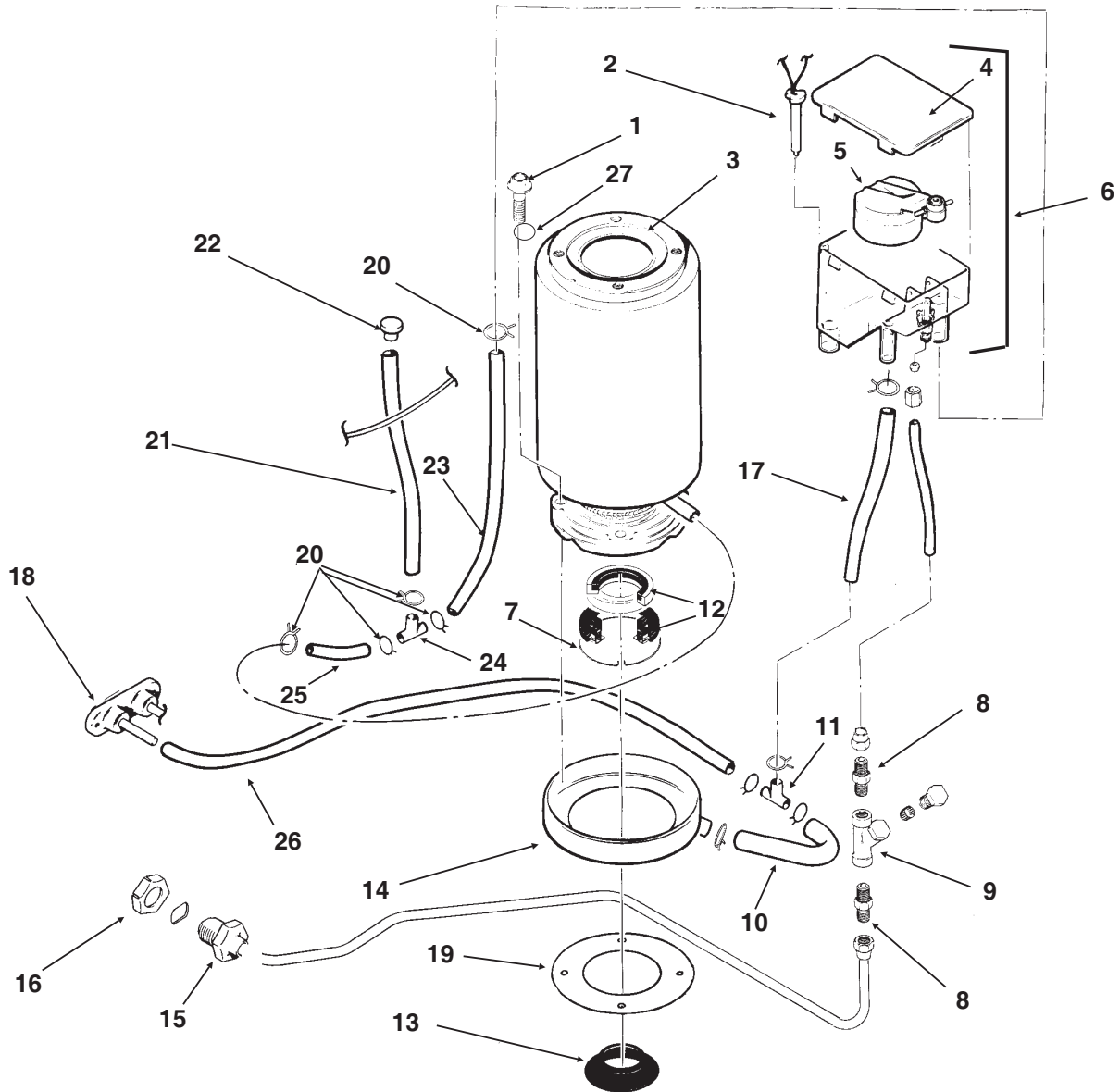
# FM1200 SERVICE PARTS

## Water Cooled Refrigeration



| ITEM NUMBER | PART NUMBER   | DESCRIPTION              |
|-------------|---|--------------------------|
| 1           | 18-6900-25  | Condenser                |
| 2           | 03-1645-01  | Screw                    |
| 3           | 16-0780-21  | Thermo Expansion Valve   |
| 4           | A32961-020  | Insulation Kit (3 piece) |
| 5           | A34050-001  | Suction Line             |
| 6           | A32890-020  | Evaporator               |
| 7           | 03-1405-20  | Cap Screw                |
| 8           | 03-1407-07  | Washer                   |
| 9           | 18-2300-26  | Sleeve                   |
| 10          | 18-6800-01  | Grommet                  |
| 11          | 03-1645-01  | Screw                    |
| 12          | 16-0560-00  | Valve Core               |
|             | 16-0563-00  | Valve Cap                |
| 13          | 11-0446-23  | Hi Pressure Cut Out      |
| 14          | 16-0401-02  | Elbow                    |
| 15          | 11-0424-01  | Water Reg. Valve         |
| 16          | 03-1403-14  | Screw                    |
| 17          | A34044-001  | Drain Assembly           |
| 18          | 18-8879-21  | Compressor 1 phase       |
|             | 18-8879-22  | Compressor 3 phase       |
|             | (both are 208-230 volt & have internal overloads & crankcase heaters) |                          |
| 19          | 02-3319-02  | Dryer                    |

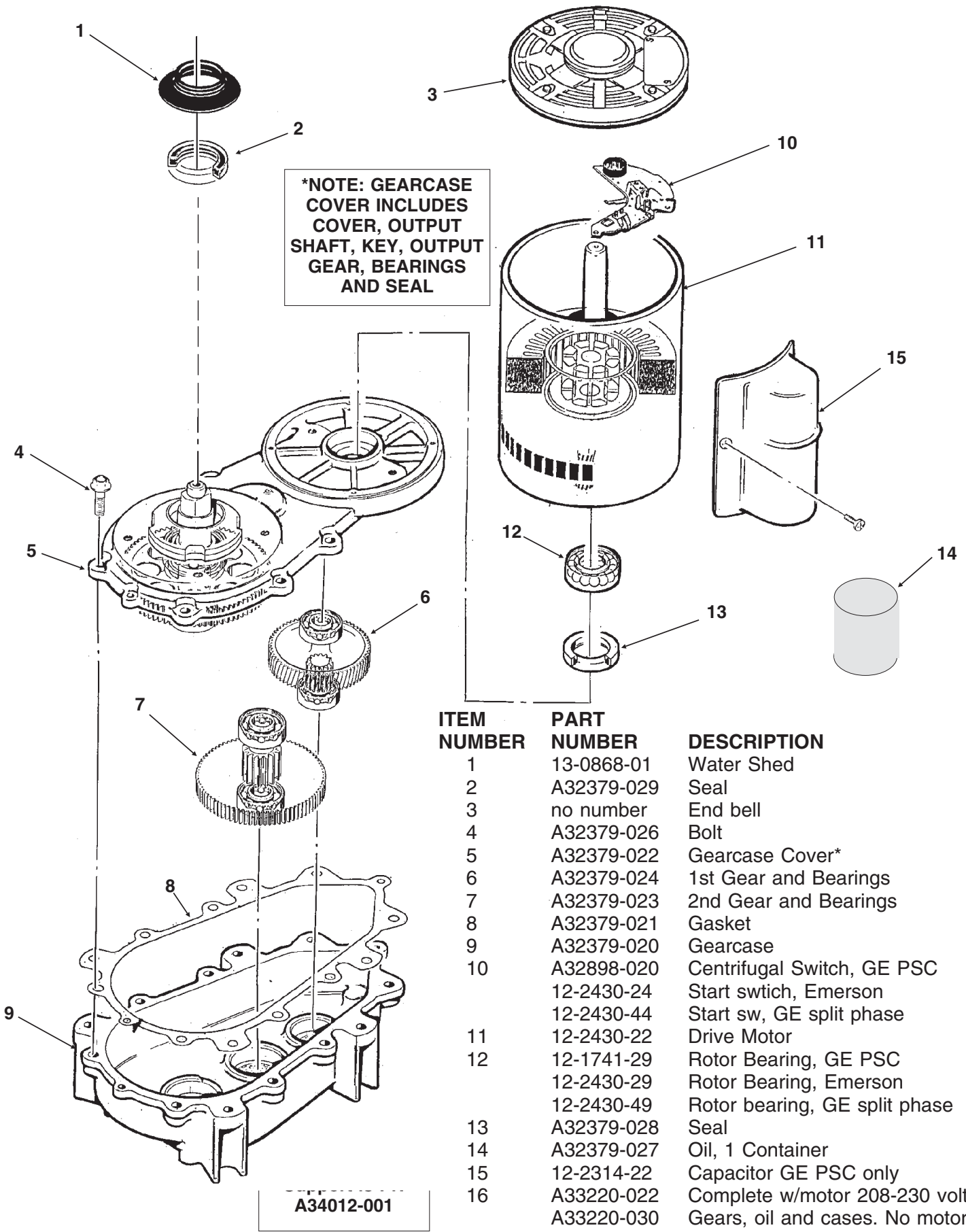
# FM1200 Service Parts Water System



| ITEM NUMBER | PART NUMBER | DESCRIPTION   | ITEM NUMBER | PART NUMBER | DESCRIPTION               |
|-------------|-------------|---|-------------|-------------|---------------------------|
| 1           | 03-1420-03  | Cap Screw   | 14          | A32050-001  | Drip Pan                  |
| 2           | A33101-022  | Water Level Sensor  | 15          | A27318-001  | Water Inlet Fitting       |
| 3           | A32890-020  | Evaporator  | 16          | 03-1394-01  | Pal Nut                   |
| 4           | 02-2936-01  | Res. Cover  | 17          | 13-0079-03  | Res. Overflow, 8" req.    |
| 5           | A32907-001  | Float Assembly with pin housing seal, rubber seat, insert & float | 18          | A34045-001  | Drain Casting, air cooled |
| 6           | 02-3190-01  | Rubber seat   | 19          | 13-0704-00  | Gasket                    |
| 7           | A32929-020  | Reservoir Assy Complete   | 20          | 02-2814-08  | Clamps                    |
| 8           | A32777-001  | Retaining Ring for seal   | 21          | 13-0674-06  | Evap. Drain, 14" req.     |
| 9           | 16-0791-01  | Half Union  | 22          | 13-0840-01  | Plug                      |
| 10          | 16-0162-00  | Strainer  | 23          | 13-0674-06  | Evap. Inlet Tube, 5" req. |
| 11          | 13-0079-03  | Tube, 3.2" req.   | 24          | 16-0670-01  | Tee                       |
| 12          | 16-0670-02  | Tee   | 25          | A33203-001  | Tube, Preformed           |
| 13          | 02-0929-23  | Water Seal  | 26          | 13-0079-03  | Drain Tube, 24" req.      |
| 14          | 13-0868-01  | Water Shed  | 27.         | 03-1417-13  | Lockwasher                |

# FM1200 SERVICE PARTS

## Gearmotor



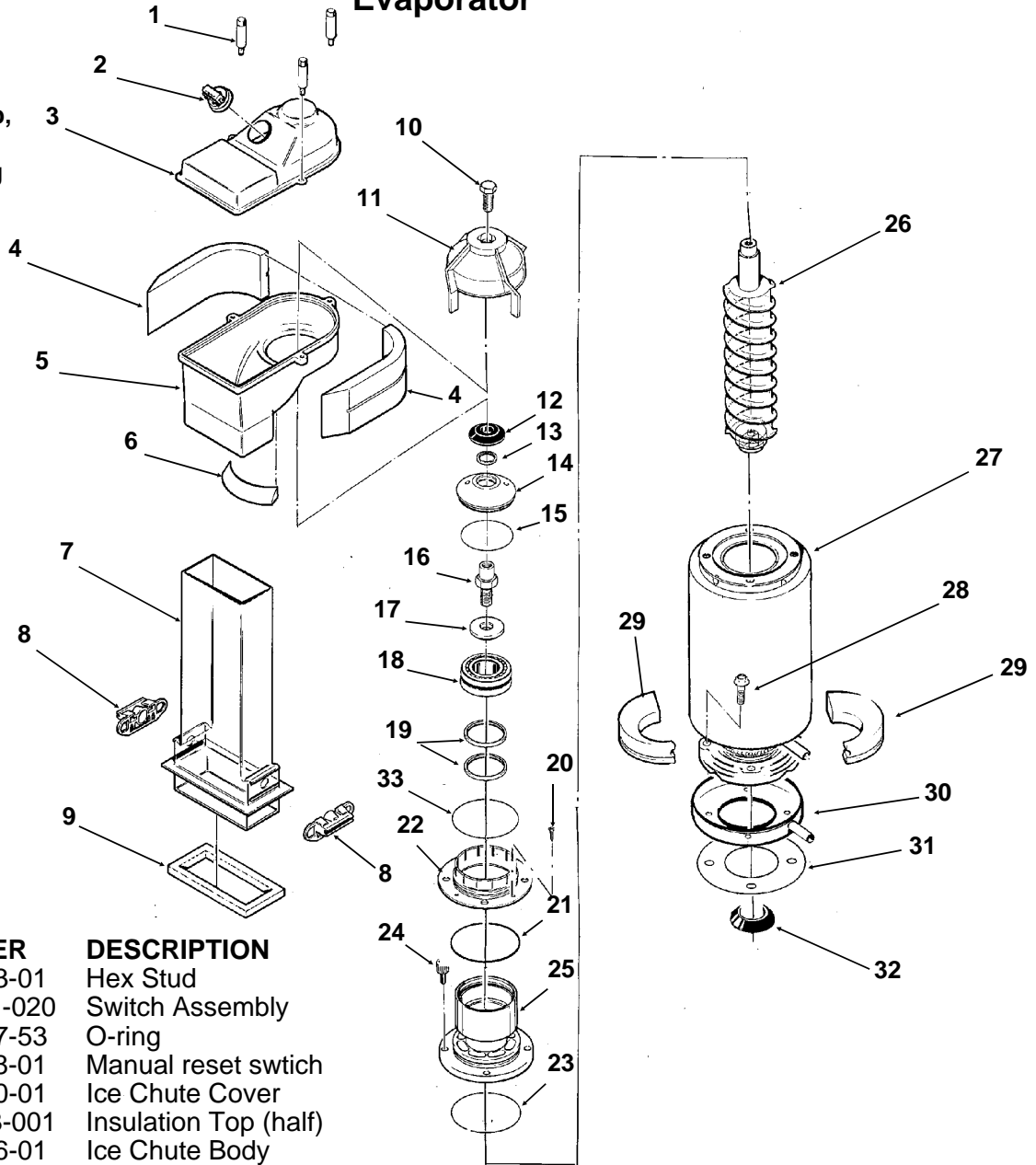
**\*NOTE: GEARCASE COVER INCLUDES COVER, OUTPUT SHAFT, KEY, OUTPUT GEAR, BEARINGS AND SEAL**

**A34012-001**

| ITEM NUMBER | PART NUMBER | DESCRIPTION                     |
|-------------|-------------|---------------------------------|
| 1           | 13-0868-01  | Water Shed                      |
| 2           | A32379-029  | Seal                            |
| 3           | no number   | End bell                        |
| 4           | A32379-026  | Bolt                            |
| 5           | A32379-022  | Gearcase Cover*                 |
| 6           | A32379-024  | 1st Gear and Bearings           |
| 7           | A32379-023  | 2nd Gear and Bearings           |
| 8           | A32379-021  | Gasket                          |
| 9           | A32379-020  | Gearcase                        |
| 10          | A32898-020  | Centrifugal Switch, GE PSC      |
|             | 12-2430-24  | Start switch, Emerson           |
|             | 12-2430-44  | Start sw, GE split phase        |
| 11          | 12-2430-22  | Drive Motor                     |
| 12          | 12-1741-29  | Rotor Bearing, GE PSC           |
|             | 12-2430-29  | Rotor Bearing, Emerson          |
|             | 12-2430-49  | Rotor bearing, GE split phase   |
| 13          | A32379-028  | Seal                            |
| 14          | A32379-027  | Oil, 1 Container                |
| 15          | 12-2314-22  | Capacitor GE PSC only           |
| 16          | A33220-022  | Complete w/motor 208-230 volt   |
|             | A33220-030  | Gears, oil and cases. No motor. |

# FM1200 Service Parts Evaporator

Note: Bail clamp,  
pn A34969-001  
used beginning  
Jan. 91

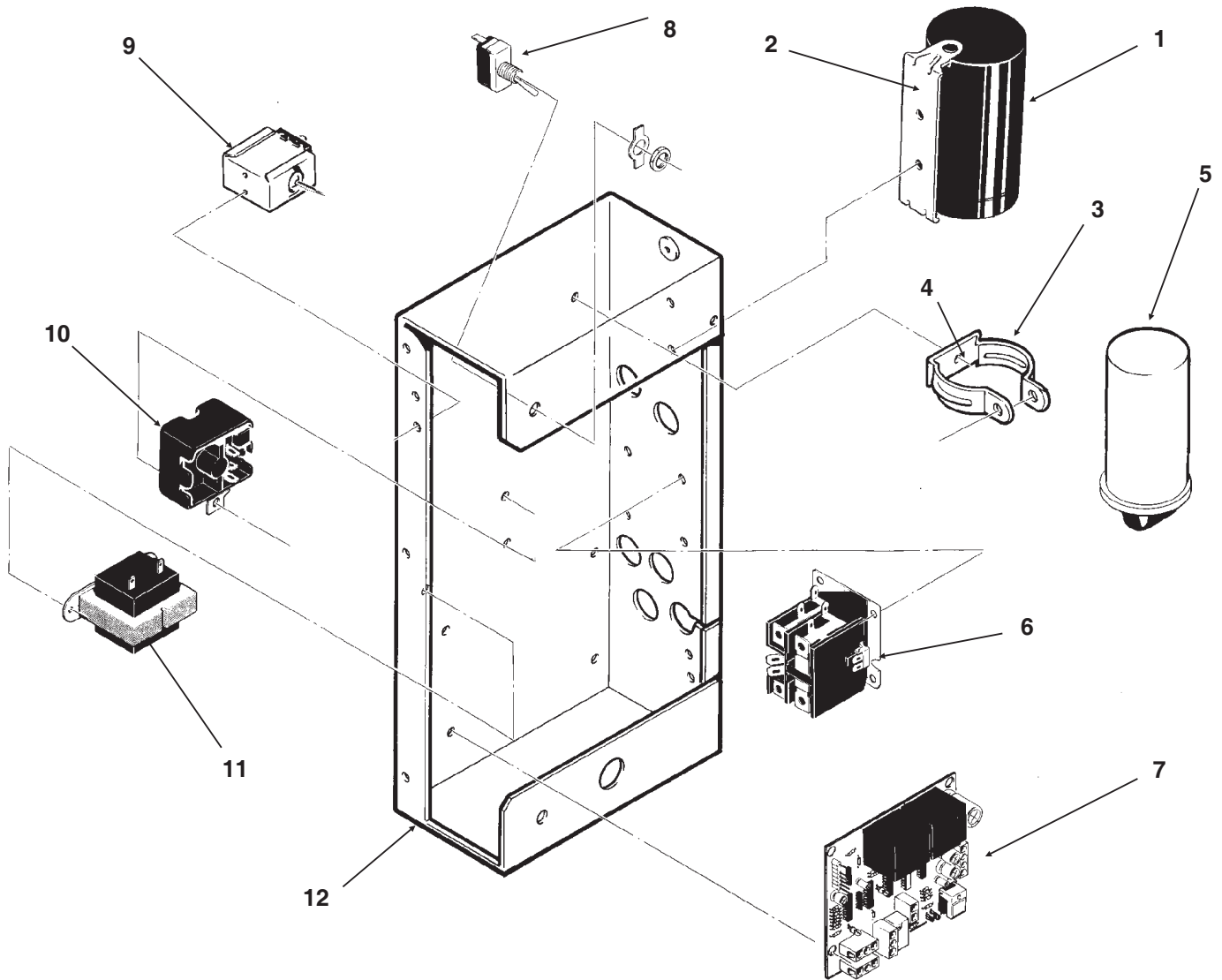


| ITEM NUMBER | PART NUMBER                    | DESCRIPTION                  |
|-------------|--------------------------------|------------------------------|
| 1.          | 02-2933-01                     | Hex Stud                     |
| 2.          | A32891-020                     | Switch Assembly              |
|             | 13-0617-53                     | O-ring                       |
|             | 12-2398-01                     | Manual reset switch          |
| 3.          | 02-2930-01                     | Ice Chute Cover              |
| 4.          | A32963-001                     | Insulation Top (half)        |
| 5.          | 02-2926-01                     | Ice Chute Body               |
| 6.          | A33102-001                     | Insulation Collar Inside     |
|             | A35419-020                     | Strap kit                    |
| 7.          | 02-2929-01                     | Ice Chute Lower              |
| 8.          | A37708-021                     | Ice level sensors (set of 2) |
| 9.          | A32930-001                     | Chute Gasket                 |
| 10.         | 03-1405-52                     | Hex Cap Screw                |
| 11.         | 02-3001-01                     | Ice Sweep                    |
| 12.         | 13-0871-01                     | Water Shed                   |
| 13.         | 02-2978-01                     | Lip Seal                     |
| 14.         | 02-3128-20                     | Breaker Cover                |
| 15.         | 13-0617-54                     | O-Ring                       |
| 16.         | 08-0660-01                     | Auger Stud & washer          |
| 17.         | part of 16                     | Thrust Washer                |
| 18.         | A34559-020                     | Bearing                      |
| 19.         | 02-2977-01                     | Lip Seal                     |
| 20.         | 03-1405-27                     | Screw                        |
| 21.         | 13-0617-52                     | O-Ring                       |
| 22.         | 02-2916-01                     | Slotted Collar               |
| 23.         | 13-0617-45                     | O-Ring                       |
| 24.         | 03-1544-08                     | Soc. Head Screw              |
| 25.         | A34505-020                     | Breaker (Divider)            |
|             | (includes 13,14,15,18, 19, 23) |                              |
| 26.         | A38071-022                     | Auger                        |
| 27.         | A32890-020                     | Evaporator                   |
| 28.         | 03-1405-41                     | Cap Screw                    |
| 29.         | A32962-001                     | Insulation Bot. (half)       |
|             | A32962-002                     | Insulation (half)            |
| 30.         | A32050-001                     | Drip Pan                     |
| 31.         | 13-0704-00                     | Drip Pan Gasket              |
| 32.         | 13-0868-01                     | Water Shed                   |
| 33.         | 13-0617-49                     | O-ring                       |



# FM1200 SERVICE PARTS

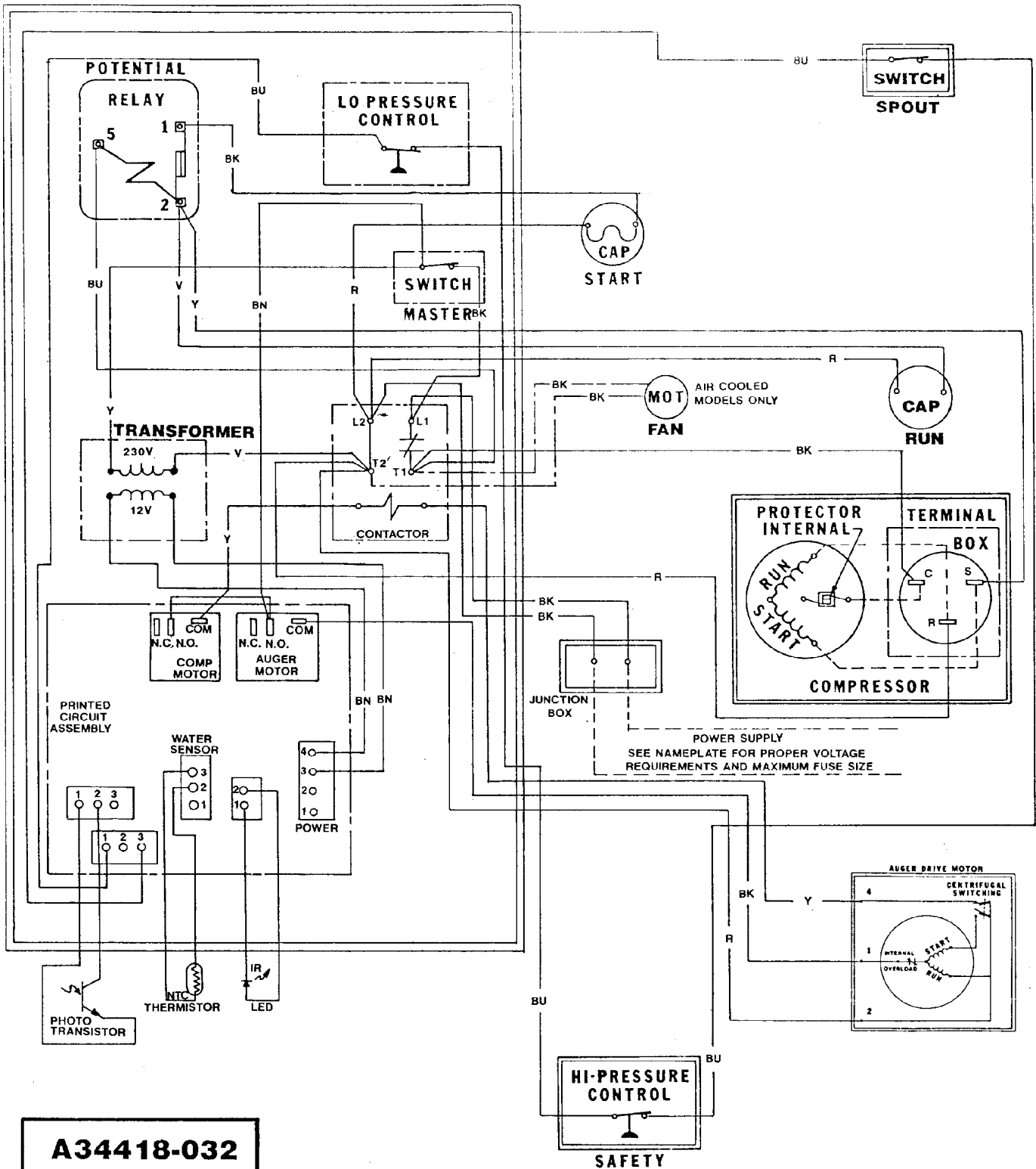
## Control Box



| ITEM NUMBER | PART NUMBER | DESCRIPTION             | ITEM NUMBER     | PART NUMBER | DESCRIPTION  |
|-------------|-------------|-------------------------|-----------------|-------------|--|
| 1           | 18-1901-48  | Start Capacitor         | 7               | A37750-022  | Circuit Board  |
|             | 18-4300-50  | Start Capacitor Cap.    | 8.              | 12-0426-01  | Master Switch  |
| 2.          | 18-2200-39  | Start Capacitor Bracket | 9.              | 11-0447-20  | Low Pressure Control                                 |
|             | 03-1638-04  | Screw                   | 10              | 18-1903-46  | Potential Relay                                      |
|             | 03-1417-15  | Lockwasher              | 11.             | 12-2285-22  | Transformer  |
| 3.          | A32872-001  | Run Cap Bracket         | 12              | no number   | Control Box  |
|             | 03-1652-02  | Bolt                    | NOT ILLUSTRATED |             |  |
|             | 03-0255-04  | Wing Nut                | 13.             | 12-2337-02  | 3 Pin Plug Assy<br>(Safety Circuit to Circuit Board) |
| 4.          | 03-1638-03  | Screw                   | 14.             | 12-2340-01  | 4 Pin Plug Assy<br>(Transformer to Circuit Board)    |
| 5.          | 18-1902-45  | Run Capacitor           | 15.             | A34055-001  | Control Box Cover                                    |
| 6.          | 12-2469-02  | Single Phase Contactor  |                 |             |  |
|             | 12-0739-02  | Three Phase Contactor   |                 |             |  |

# FM1200 SERVICE PARTS

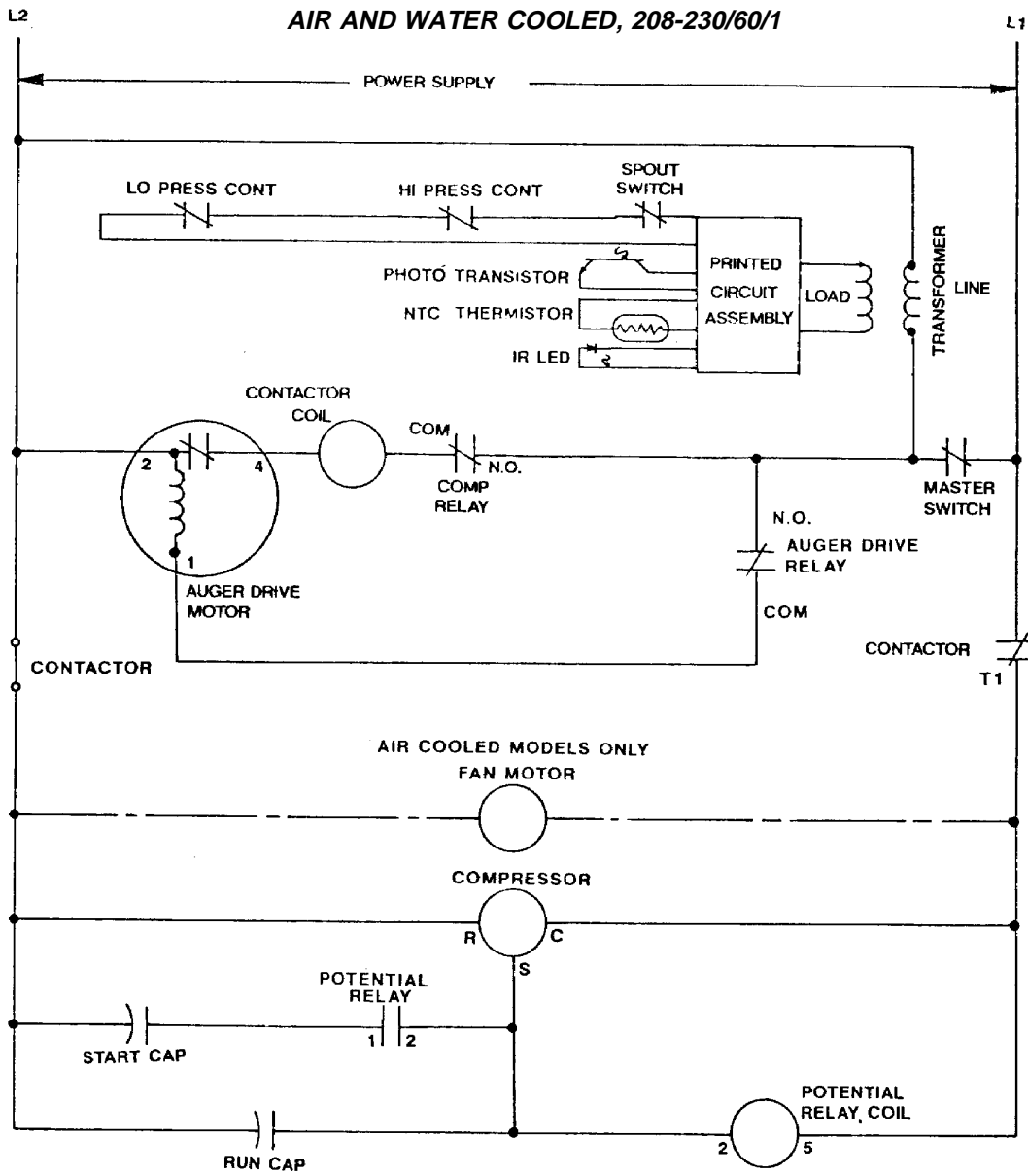
AIR AND WATER COOLED, 208-230/60/1



**A34418-032**

# FM1200 SERVICE PARTS

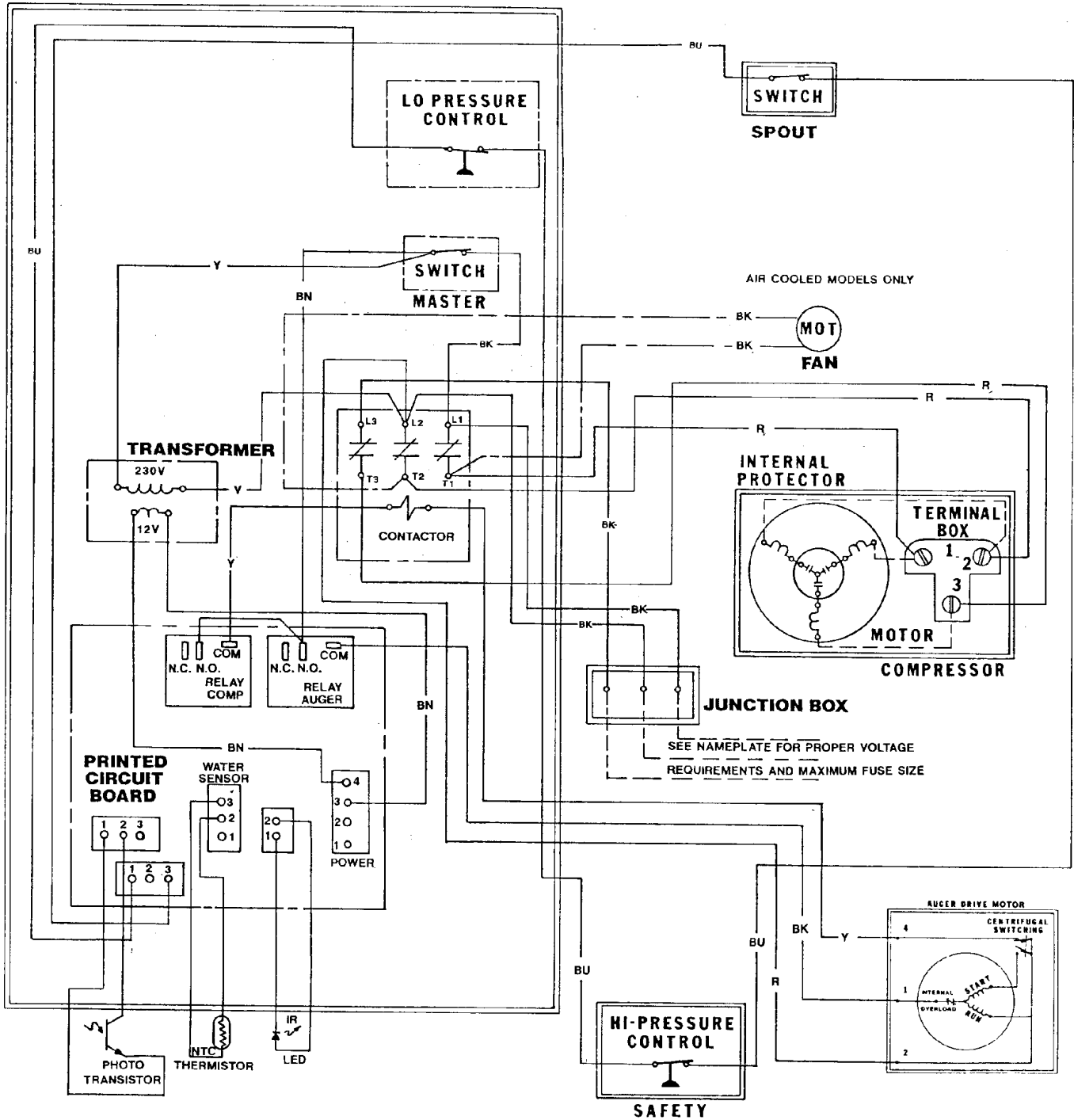
AIR AND WATER COOLED, 208-230/60/1



**USE COPPER CONDUCTORS ONLY  
ALL CONROLS SHOWN IN NORMAL ICEMAKING MODE  
THIS UNIT MUST BE GROUNDED**

# FM1200 SERVICE PARTS

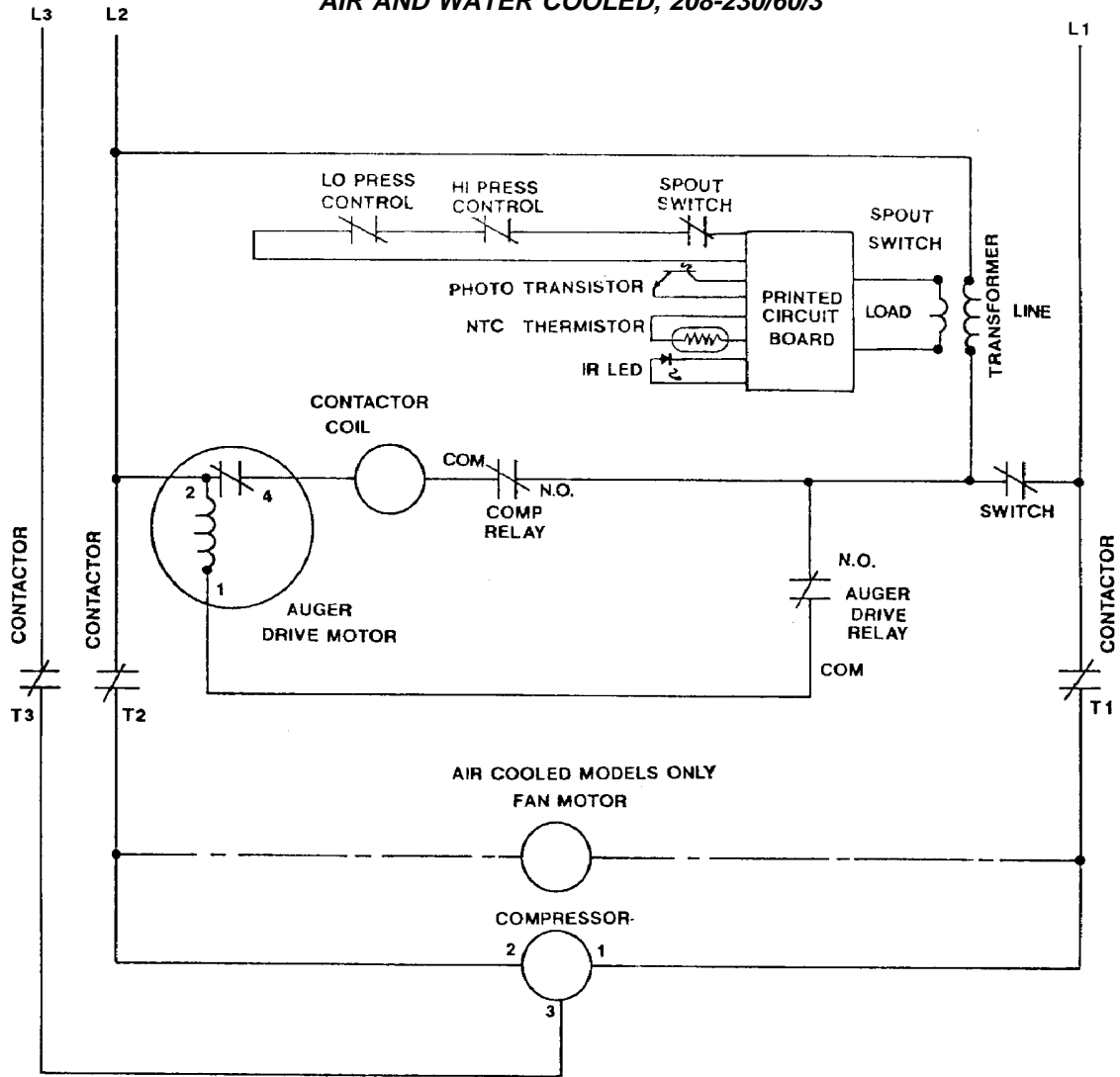
AIR AND WATER COOLED, 208-230/60/3



**A34418-003**

# FM1200 SERVICE PARTS

AIR AND WATER COOLED, 208-230/60/3



**USE COPPER CONDUCTORS ONLY  
ALL CONTROLS SHOWN IN NORMAL ICEMAKING MODE  
THIS UNIT MUST BE GROUNDED**