

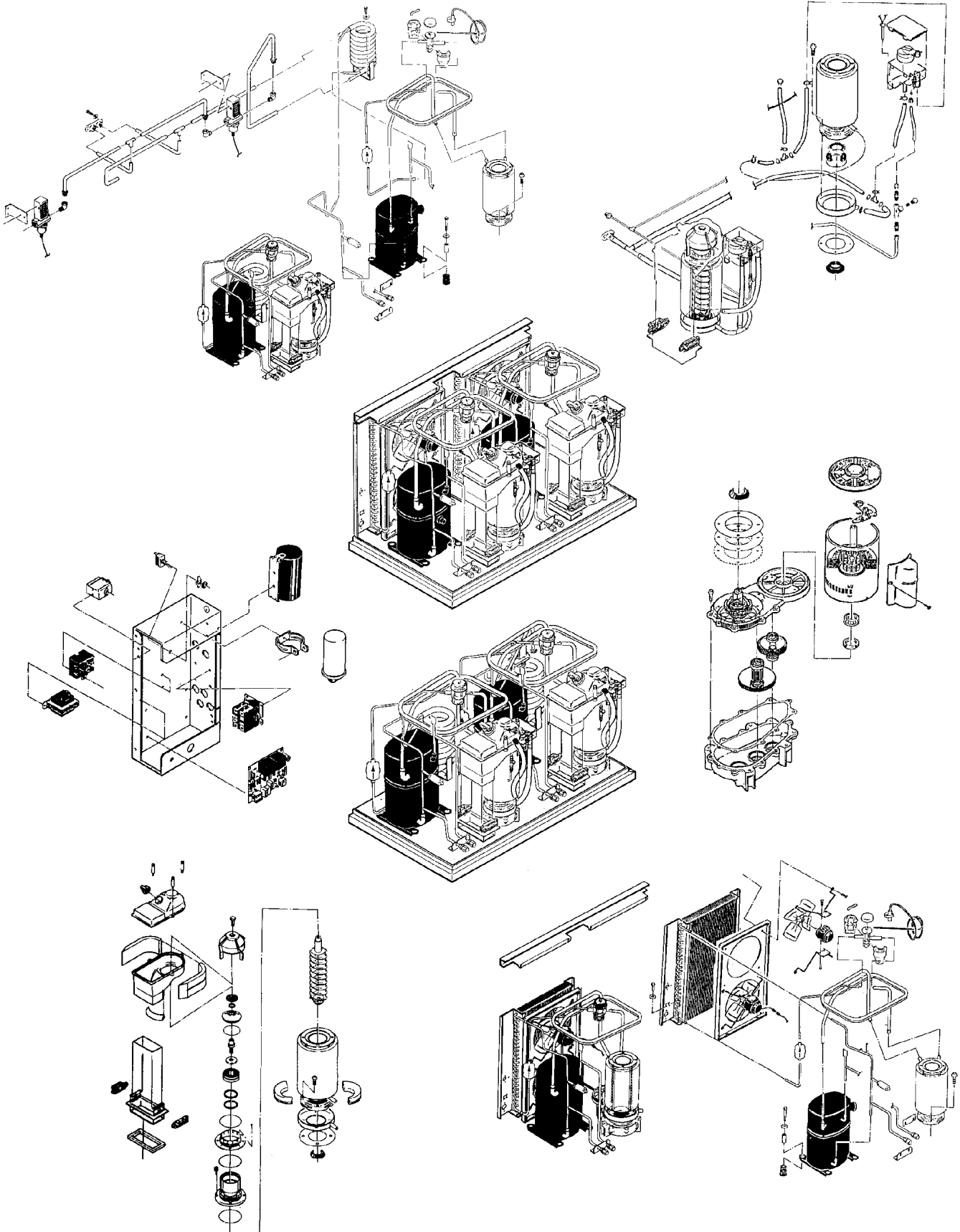
FM2402 SERVICE PARTS

This parts list contains the service parts and wiring diagrams for this model. Check the model number in question to be sure that it is applicable to this parts list.

TABLE OF CONTENTS

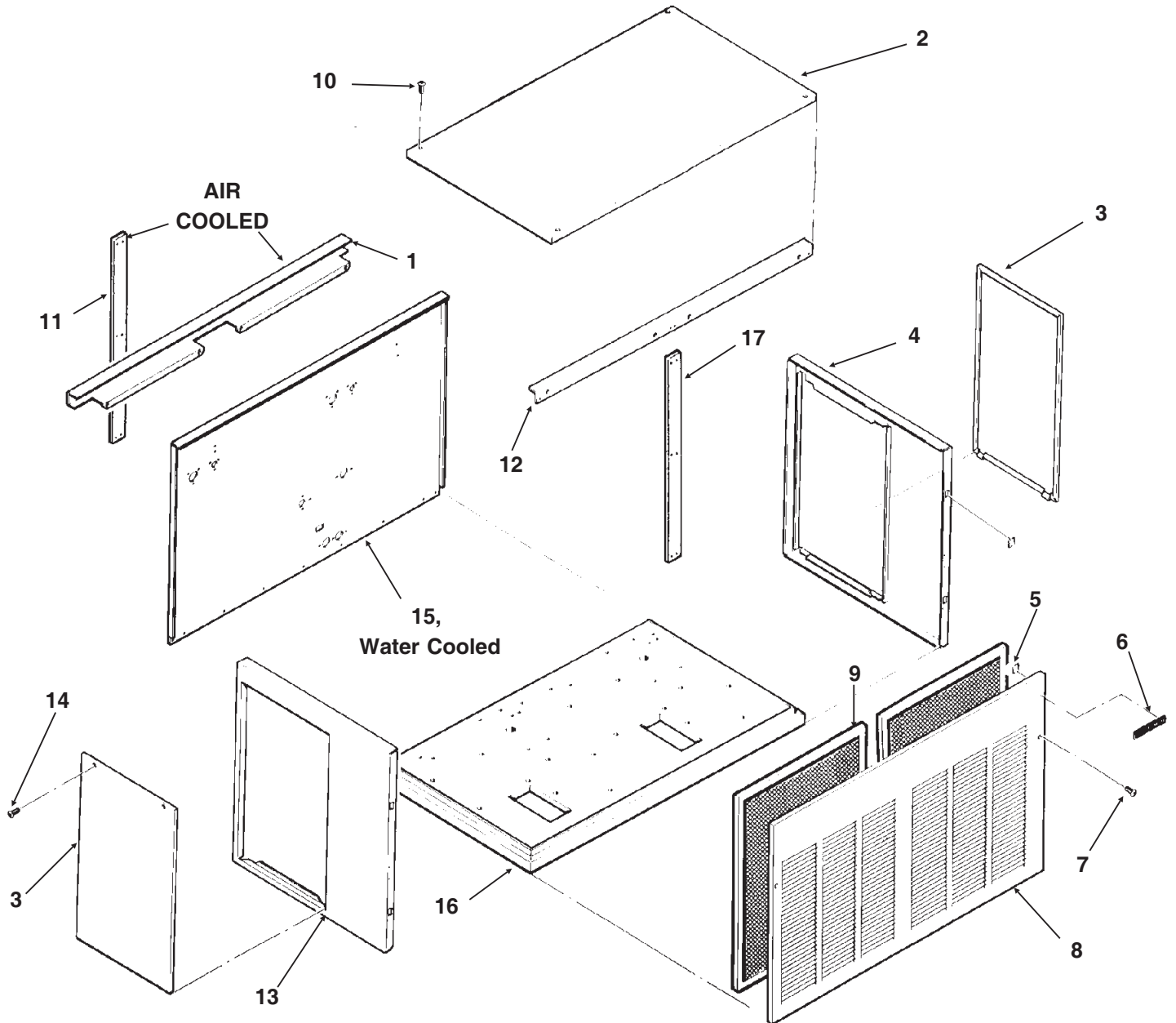
| | |
|---------------------------------|---|
| Cabinet | 2 |
| Air Cooled Refrigeration | 3 |
| Water Cooled Refrigeration..... | 4 |
| Water System | 5 |
| Gearmotor..... | 6 |
| Evaporator | 7 |
| Control Box..... | 8 |
| Wiring Diagrams | 9 |

FM2402 SERVICE PARTS



FM2402 SERVICE PARTS

Cabinet Assembly

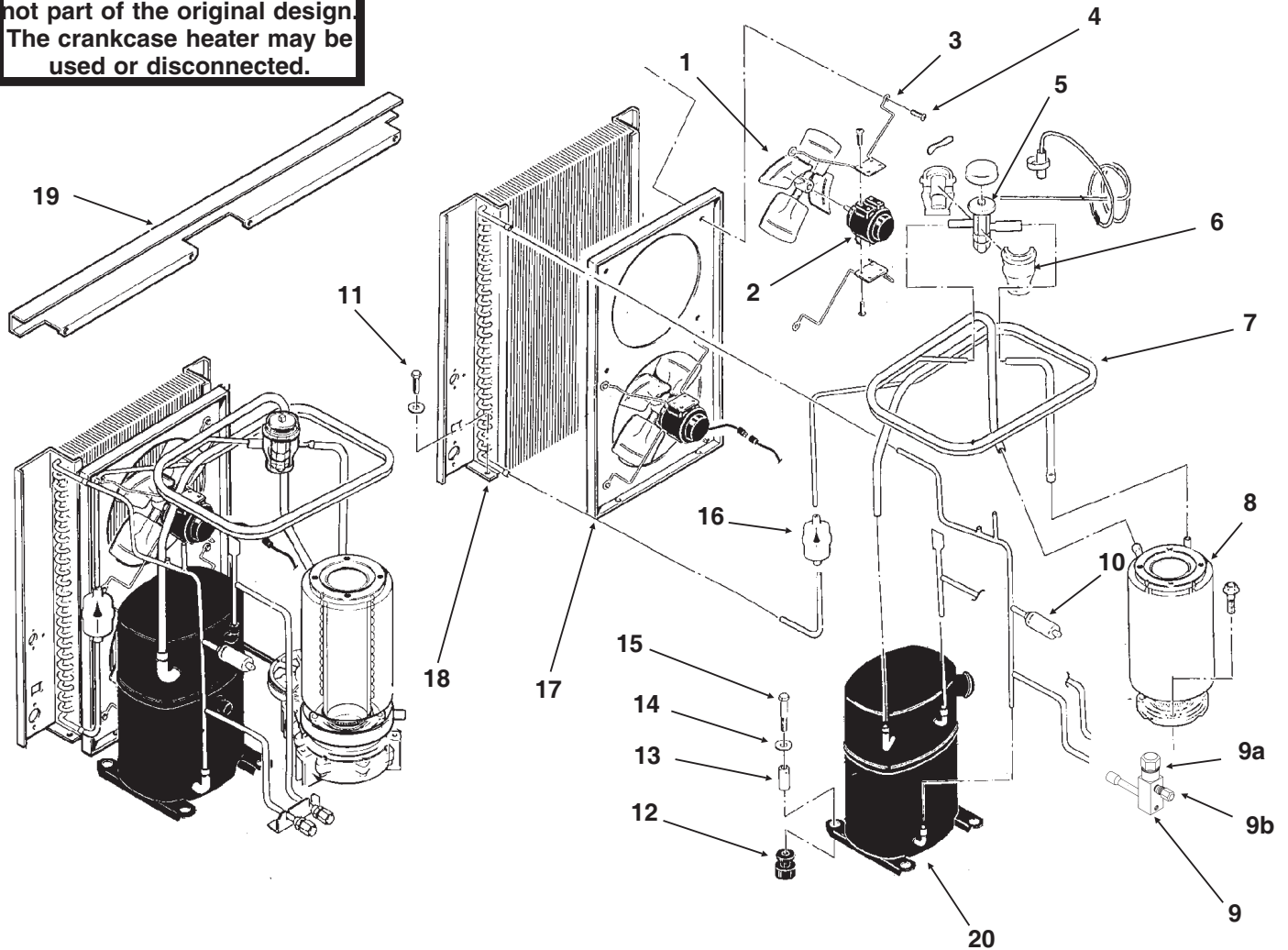


| ITEM NUMBER | PART NUMBER | DESCRIPTION | ITEM NUMBER | PART NUMBER | DESCRIPTION |
|-------------|-------------|---------------------------|-------------|-------------|--------------------------|
| 1 | A34284-001 | Condenser Support | 9 | 02-2976-01 | Filter Assembly (1) |
| 2 | A32461-001 | Top Panel, Painted | 10 | 03-1531-01 | Screw |
| | A32461-002 | Top Panel, S.S. | 11 | A34285-001 | Filler Plate, Air Cooled |
| 3 | A34038-001 | Service Panel, Painted | 12 | A34287-001 | Support |
| | A34038-002 | Service Panel, S.S. | 13 | A32435-001 | Left Side Panel, Painted |
| 4 | A33292-001 | Right Side Panel, Painted | | A32435-002 | Left Side Panel, S.S. |
| | A33292-002 | Right Side Panel, S.S. | 14 | 03-1404-12 | Screw |
| 5 | 03-0271-00 | Speed Clip | 15 | A34283-001 | Rear Panel, Water Cooled |
| 6 | 15-0808-01 | Emblem | | | Painted Only |
| 7 | 03-1419-08 | Screw | 16. | A34282-001 | Base |
| 8 | A34294-001 | Front Panel, Painted | 17. | A34286-001 | Center Support |
| | A34294-002 | Front Panel, S.S. | | | |

FM2402 SERVICE PARTS

Air Cooled Refrigeration

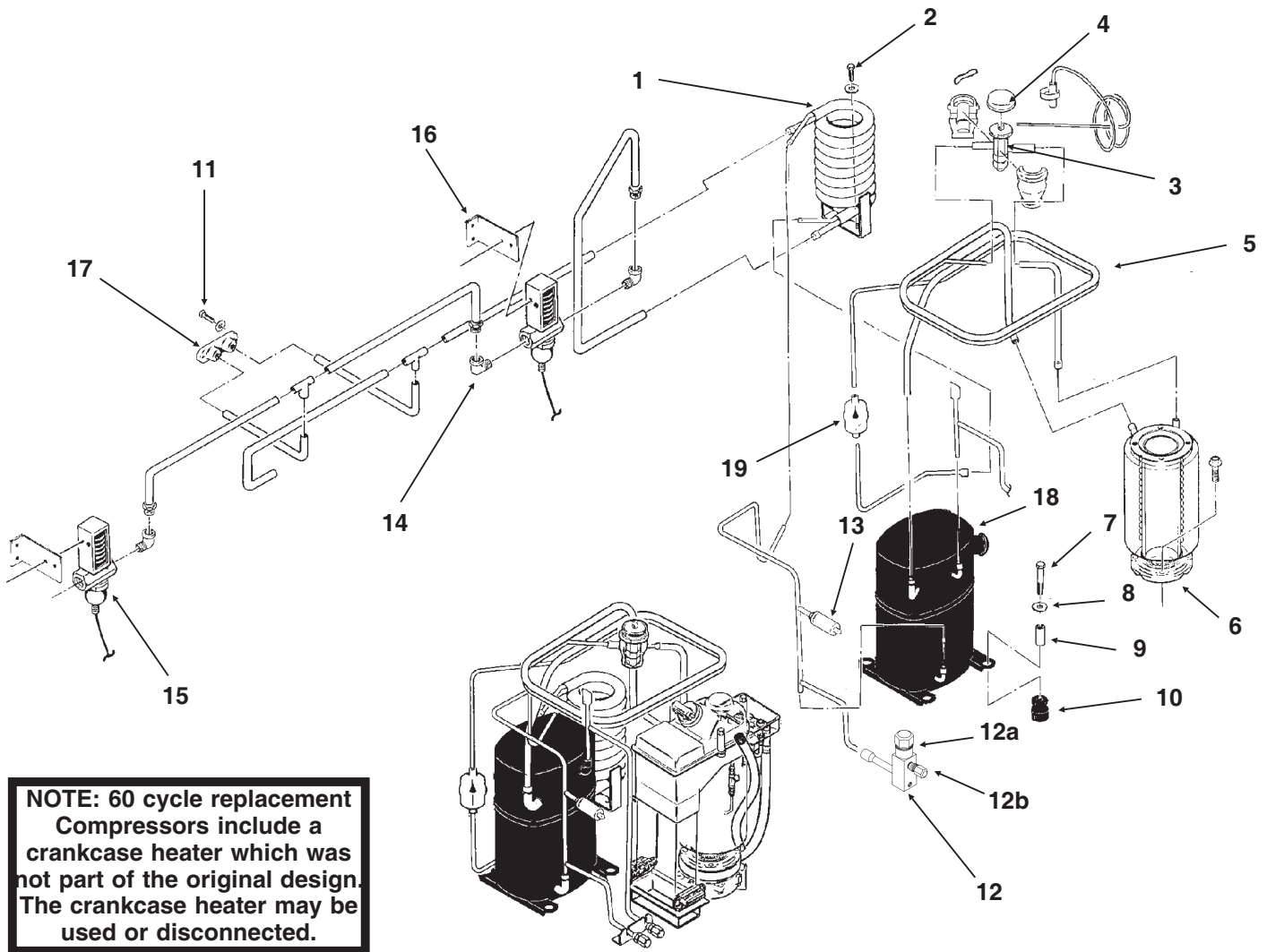
NOTE: 60 cycle replacement Compressors include a crankcase heater which was not part of the original design. The crankcase heater may be used or disconnected.



| ITEM NUMBER | PART NUMBER | DESCRIPTION | ITEM NUMBER | PART NUMBER | DESCRIPTION |
|-------------|-------------|--------------------------|----------------------------------------------------------------------------------|-------------|-------------------------|
| 1 | 18-3815-01 | Fan Blade | 12 | 18-6800-01 | Grommet |
| 2 | 12-1576-02 | Fan Motor | 13 | 18-2300-27 | Sleeve |
| 3 | A39047-001 | Fan Bracket | 14 | 03-1407-07 | Washer |
| 4 | 03-1531-01 | Screw | 15 | 03-1405-20 | Cap Screw |
| 5 | A32961-020 | Insulation Kit (3 piece) | 16 | 02-3319-02 | Dryer |
| 6 | 11-0477-20 | Thermo Expansion Valve | 17 | A33231-001 | Fan Shroud |
| 7 | A34050-001 | Suction Line | 18 | 18-8717-01 | Condenser |
| 8 | A32890-020 | Evaporator | 19 | A34284-001 | Condenser Support |
| 9 | 16-0832-20 | Access valve | 20 | 18-8716-23 | Compressor 208-230/60/1 |
| 9a | 16-0832-02 | Stem cap | | 18-8716-25 | Compressor 200-230/60/3 |
| 9b | 16-0832-03 | Core cap | | 18-8716-26 | Compressor 220-240/50/1 |
| 10 | 11-0446-27 | Hi Pressure Cut Out | (all have internal overloads & 18-8716-03, 18-8716-05 have crankcase heaters) | | |
| 11 | 03-1645-01 | Screw | | | |

FM2402 SERVICE PARTS

Water Cooled Refrigeration

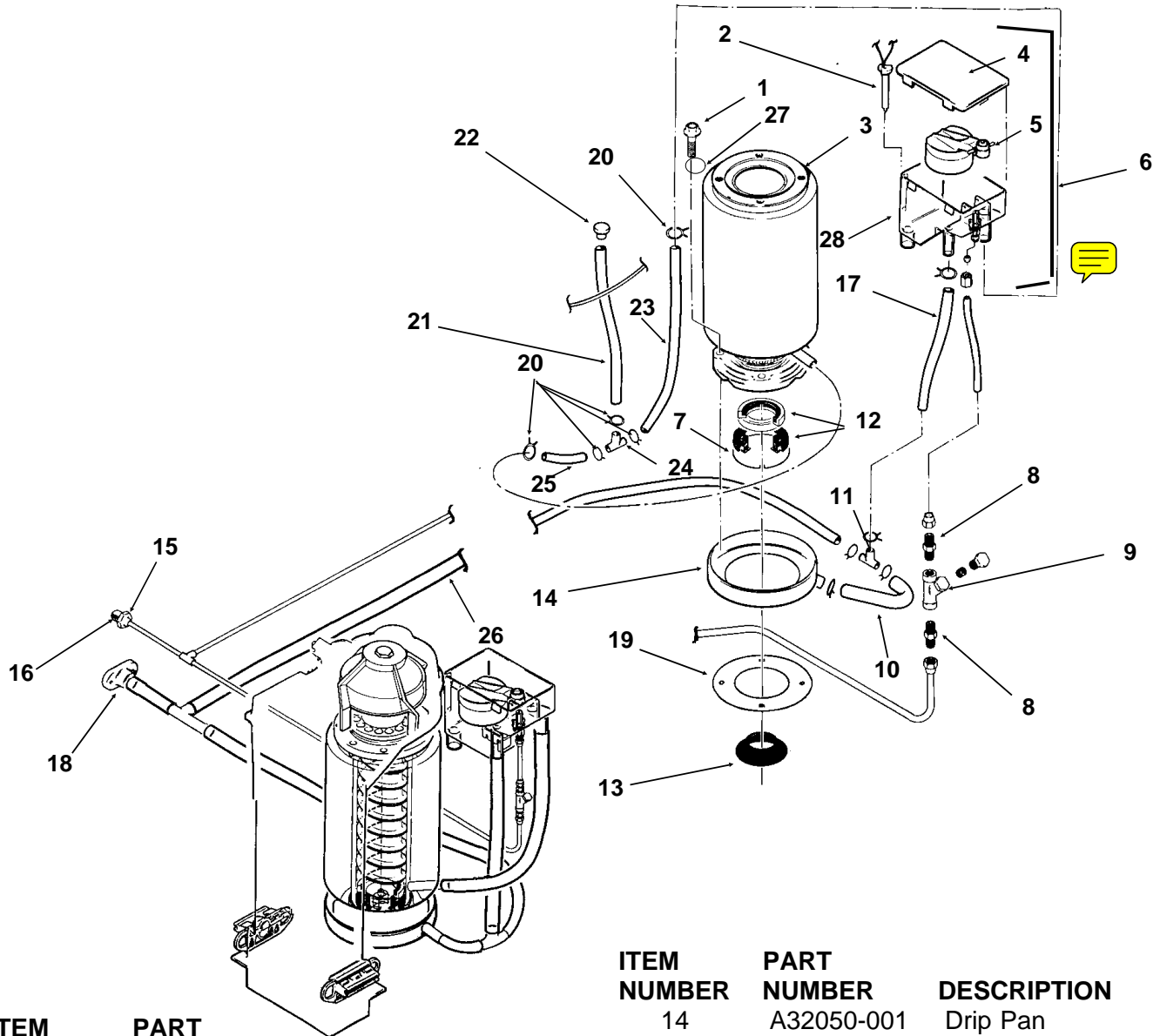


NOTE: 60 cycle replacement Compressors include a crankcase heater which was not part of the original design. The crankcase heater may be used or disconnected.

| ITEM NUMBER | PART NUMBER | DESCRIPTION |
|-----------------------------------------------------------------------------|-------------|--------------------------|
| 1 | 18-8718-25 | Condenser |
| 2 | 03-1645-01 | Screw |
| 3 | 11-0477-20 | Thermo Expansion Valve |
| 4 | A32961-020 | Insulation Kit (3 piece) |
| 5 | A35566-001 | Suction Line |
| 6 | A32890-020 | Evaporator |
| 7 | 03-1405-20 | Cap Screw |
| 8 | 03-1407-07 | Washer |
| 9 | 18-2300-27 | Sleeve |
| 10 | 18-6800-01 | Grommet |
| 11 | 03-1645-01 | Screw |
| 12 | 16-0832-20 | Access valve |
| 12a | 16-0832-02 | Stem cap |
| 12b | 16-0832-03 | Core cap |
| 13 | 11-0446-27 | Hi Pressure Cut Out |
| 14 | 16-0401-02 | Elbow |
| 15 | 11-0424-01 | Water Reg. Valve |
| 16 | A34341-001 | Bracket |
| 17 | A34291-001 | Drain Assembly |
| 18 | 18-8716-23 | Compressor 208-230/60/1 |
| | 18-8716-25 | Compressor 200-230/60/3 |
| | 18-8716-26 | Compressor 220-240/50/1 |
| (all have internal overloads & 60 cycle compressors have crankcase heaters) | | |
| 19 | 02-3319-02 | Dryer |

FM2402 SERVICE PARTS

Water System

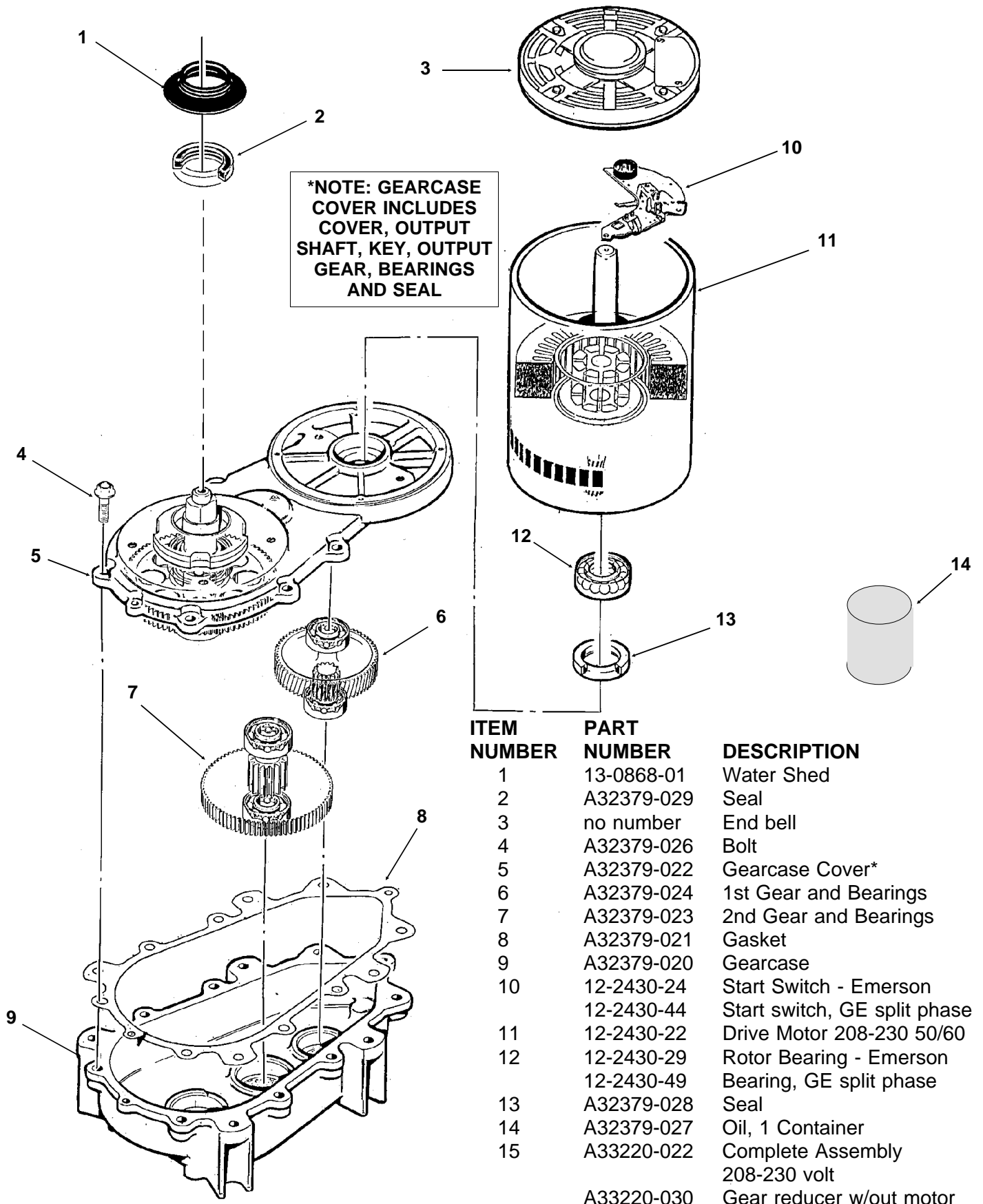


| ITEM NUMBER | PART NUMBER | DESCRIPTION |
|-------------|-------------|-------------------------------------------------------------------|
| 1 | 03-1420-03 | Cap Screw |
| 2 | A33101-022 | Water Level Sensor |
| 3 | A32890-020 | Evaporator |
| 4 | 02-2936-01 | Res. Cover |
| 5 | A32907-001 | Float Assembly with pin housing seal, rubber seal, insert & float |
| | 02-3190-01 | Rubber seat |
| 6 | A32929-020 | Reservoir Assy Complete |
| 7 | A32777-001 | Retaining Ring for seal |
| 8 | 16-0791-01 | Half Union |
| 9 | 16-0162-00 | Strainer |
| 10 | 13-0079-03 | Tube, 6.5" req. |
| 11 | 16-0670-02 | Tee |
| 12 | 02-0929-23 | Water Seal |
| 13 | 13-0868-01 | Water Shed |

| ITEM NUMBER | PART NUMBER | DESCRIPTION |
|-------------|-------------|---------------------------|
| 14 | A32050-001 | Drip Pan |
| 15 | A27318-001 | Water Inlet Fitting |
| 16 | 03-1394-01 | Pal Nut |
| 17 | 13-0079-03 | Res. Overflow, 8" req. |
| 18 | A32282-001 | Drain Casting, air cooled |
| 19 | 13-0704-00 | Gasket |
| 20 | 02-2814-08 | Clamps |
| 21 | 13-0674-06 | Evap. Drain, 14" req. |
| 22 | 13-0840-01 | Plug |
| 23 | 13-0674-06 | Evap. Inlet Tube, 5" req. |
| 24 | 16-0670-01 | Tee |
| 25 | A33203-001 | Tube, Preformed |
| 26 | 13-0079-03 | Drain Tube, 24" req. |
| 27 | 03-1417-13 | Lockwasher |
| 28 | 13-0230-00 | Rubber cap |
| 29 | 02-2814-01 | Clamp |

FM2402 SERVICE PARTS

Gearmotor

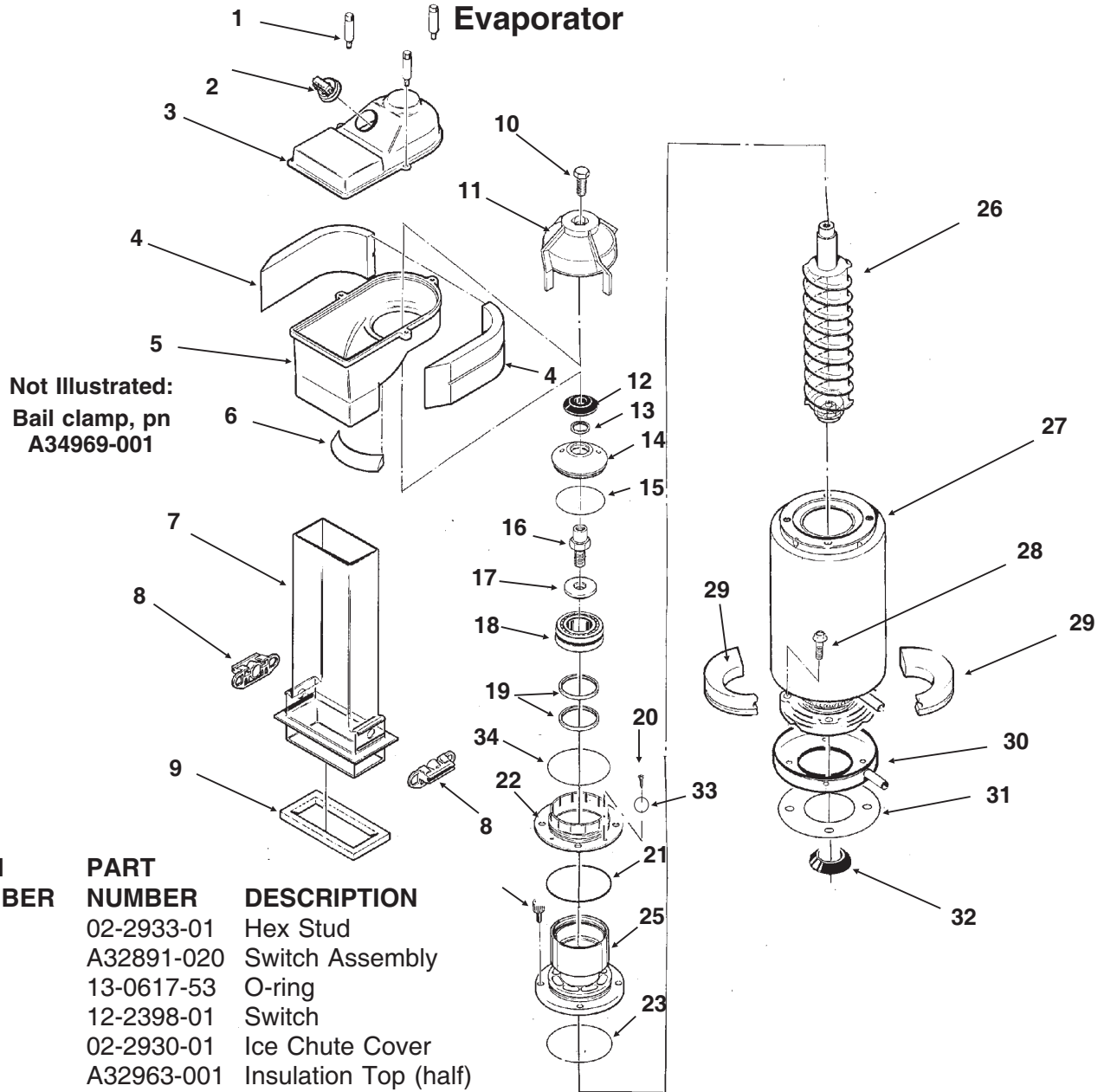


***NOTE: GEARCASE COVER INCLUDES COVER, OUTPUT SHAFT, KEY, OUTPUT GEAR, BEARINGS AND SEAL**

| ITEM NUMBER | PART NUMBER | DESCRIPTION |
|-------------|-------------|------------------------------|
| 1 | 13-0868-01 | Water Shed |
| 2 | A32379-029 | Seal |
| 3 | no number | End bell |
| 4 | A32379-026 | Bolt |
| 5 | A32379-022 | Gearcase Cover* |
| 6 | A32379-024 | 1st Gear and Bearings |
| 7 | A32379-023 | 2nd Gear and Bearings |
| 8 | A32379-021 | Gasket |
| 9 | A32379-020 | Gearcase |
| 10 | 12-2430-24 | Start Switch - Emerson |
| | 12-2430-44 | Start switch, GE split phase |
| 11 | 12-2430-22 | Drive Motor 208-230 50/60 |
| 12 | 12-2430-29 | Rotor Bearing - Emerson |
| | 12-2430-49 | Bearing, GE split phase |
| 13 | A32379-028 | Seal |
| 14 | A32379-027 | Oil, 1 Container |
| 15 | A33220-022 | Complete Assembly |
| | | 208-230 volt |
| | A33220-030 | Gear reducer w/out motor |

EM2102 SERVICE PARTS

Evaporator

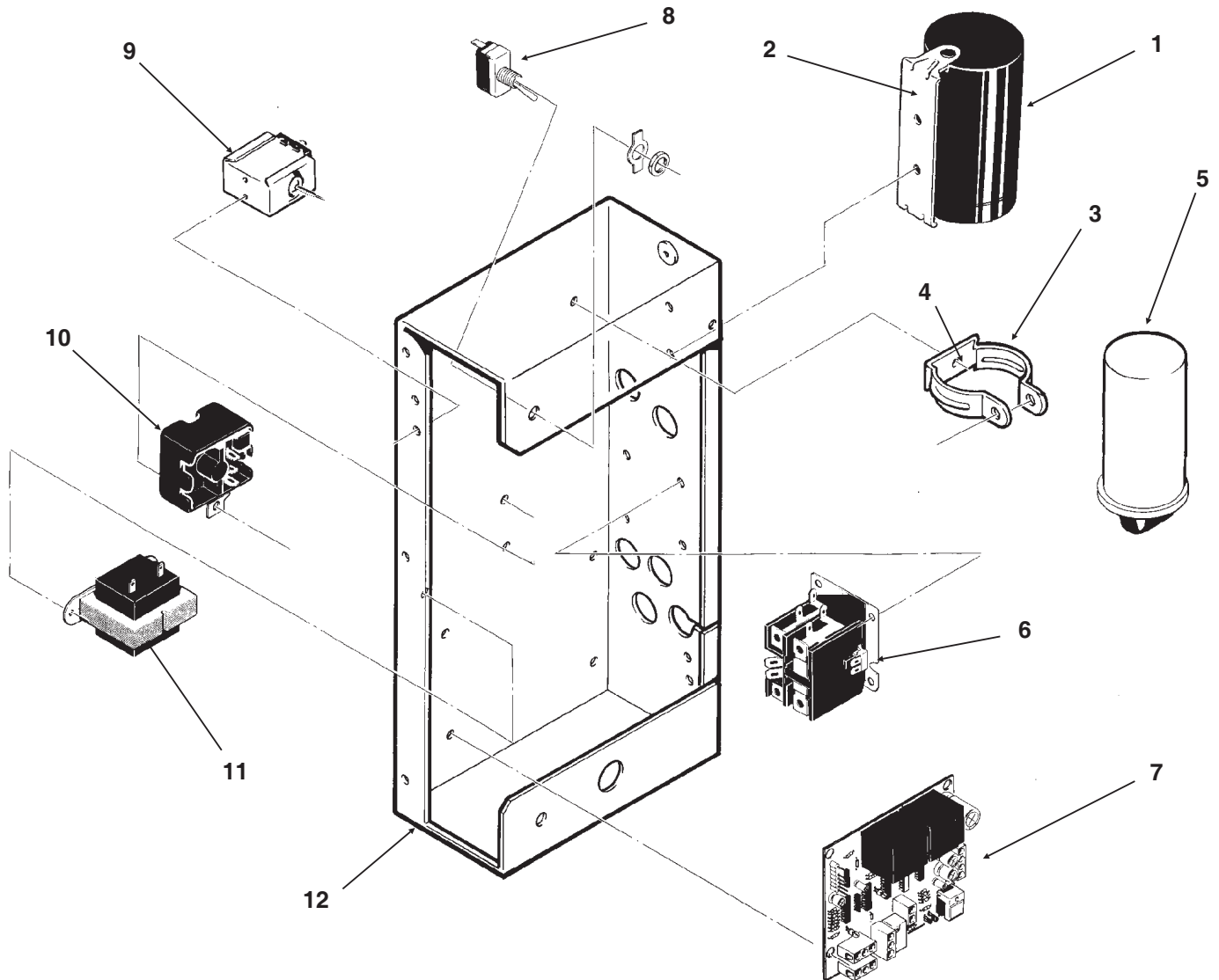


Not Illustrated:
Bail clamp, pn
A34969-001

| ITEM NUMBER | PART NUMBER | DESCRIPTION |
|-------------|-------------|------------------------------------------------------------------------|
| 1. | 02-2933-01 | Hex Stud |
| 2. | A32891-020 | Switch Assembly |
| | 13-0617-53 | O-ring |
| | 12-2398-01 | Switch |
| 3. | 02-2930-01 | Ice Chute Cover |
| 4. | A32963-001 | Insulation Top (half) |
| 5. | 02-2926-01 | Ice Chute Body |
| 6. | A33102-001 | Insulation Collar Inside |
| | A35419-020 | Strap kit |
| 7. | 02-2929-01 | Ice Chute Lower |
| 8. | A37708-021 | Bin Controls Assy. (set of 2) |
| 9. | A32930-001 | Chute Gasket |
| 10. | 03-1405-52 | Hex Cap Screw |
| 11. | 02-3001-01 | Ice Sweep |
| 12. | 13-0871-01 | Water Shed |
| 13. | 02-2978-01 | Lip Seal |
| 14. | 02-3128-20 | Breaker Cover |
| 15. | 13-0617-54 | O-Ring |
| 16. | 08-0660-01 | Auger Stud, includes #17 |
| 17. | no number | Washer, part of #16 |
| 18. | A34559-020 | Bearing |
| 19. | 02-2977-01 | Lip Seal |
| 20. | 03-1405-27 | Screw |
| | 21. | 13-0617-52 O-Ring |
| | 22. | 02-2916-01 Slotted Collar |
| | 23. | 13-0617-45 O-Ring |
| | 24. | 03-1544-08 Soc. Head Screw |
| | 25. | A34505-020 Breaker (Divider) (includes 12, 13, 14, 15, 18, 19 & 23) |
| | 26. | A38071-022 Auger |
| | 27. | A32890-020 Evaporator |
| | 28. | 03-1420-03 Cap Screw |
| | 29. | A32962-001 Insulation Bot. (half) |
| | 30. | A32050-001 Drip Pan |
| | 31. | 13-0704-00 Drip Pan Gasket |
| | 32. | 13-0868-01 Water Shed |
| | 33. | 03-1408-36 Washer |
| | 34. | 13-0617-49 O-Ring |

FM2402 SERVICE PARTS

Control Box

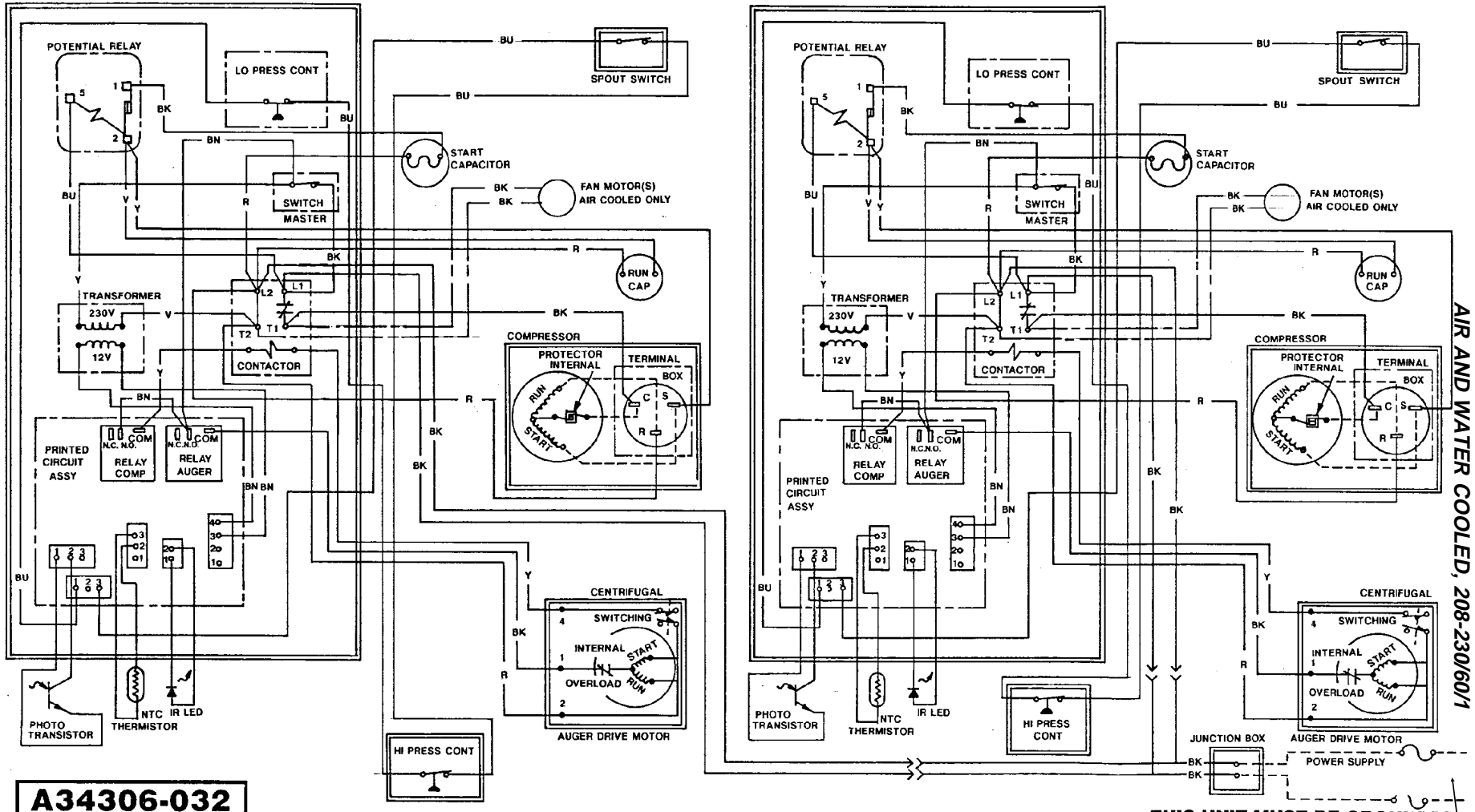


| ITEM NUMBER | PART NUMBER | DESCRIPTION | ITEM NUMBER | PART NUMBER | DESCRIPTION |
|-------------|-------------|-------------------------|-----------------|-------------|------------------------------------------------------|
| 1 | 18-1901-15 | Start Capacitor, 60 HZ | 7 | A37750-022 | Circuit Board |
| | 18-1901-23 | Start Capacitor, 50 HZ | 8. | 12-0426-01 | Master Switch |
| | 18-2200-38 | Start Capacitor Cap. | 9. | 11-0447-20 | Low Pressure Control |
| 2. | 18-2200-39 | Start Capacitor Bracket | 10 | 18-1903-33 | Potential Relay 60 HZ |
| | 03-1638-04 | Screw | | 18-1903-46 | Potential Relay, 50 HZ |
| | 03-1417-15 | Lockwasher | 11. | 12-2285-22 | Transformer |
| 3. | A32872-001 | Run Cap Bracket | 12 | no number | Control Box |
| | 03-1652-02 | Bolt | NOT ILLUSTRATED | | |
| | 03-0255-04 | Wing Nut | 13. | 12-2337-02 | 3 Pin Plug Assy (Safety Circuit to Circuit Board) |
| 4. | 03-1638-03 | Screw | 14. | 12-2340-01 | 4 Pin Plug Assy (Transformer to Circuit Board) |
| 5. | 18-1902-53 | Run Capacitor, all | 15 | A34055-001 | Control Box Cover |
| 6. | 12-2469-02 | Single Phase Contactor | | | |
| | 12-0739-02 | Three Phase Contactor | | | |

Note: HZ means cycles, 50 HZ is 50 cycle. The model number ends in -6 for 50 HZ models.

FM2402 SERVICE PARTS

AIR AND WATER COOLED, 208-230/60/1



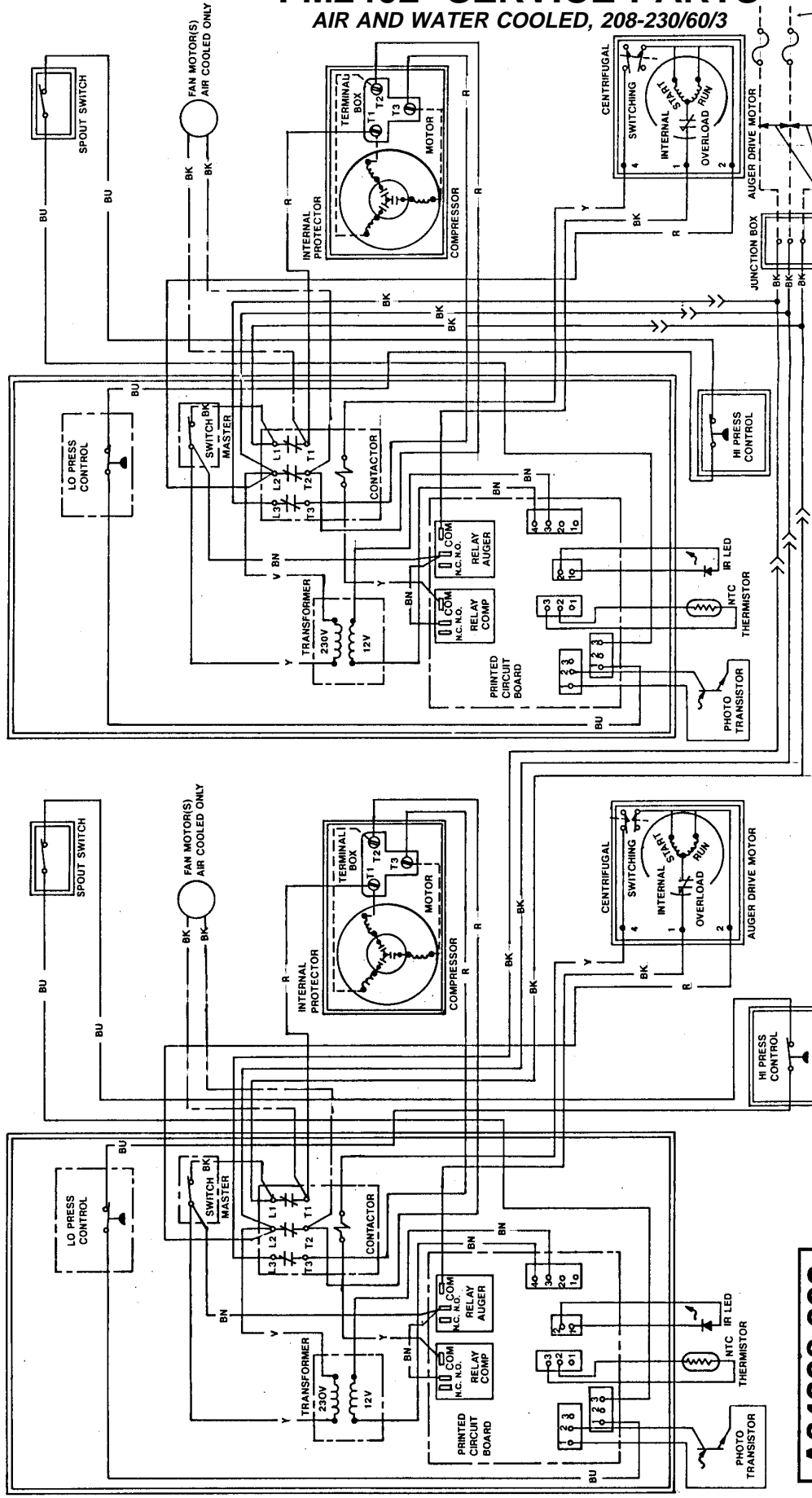
A34306-032

THIS UNIT MUST BE GROUNDED

POWER SUPPLY
SEE NAMEPLATE FOR
PROPER
REQUIREMENTS AND
MAX FUSE SIZE.
ALL POWER LEADS
MUST BE FUSED

FM2402 SERVICE PARTS

AIR AND WATER COOLED, 208-230/60/3



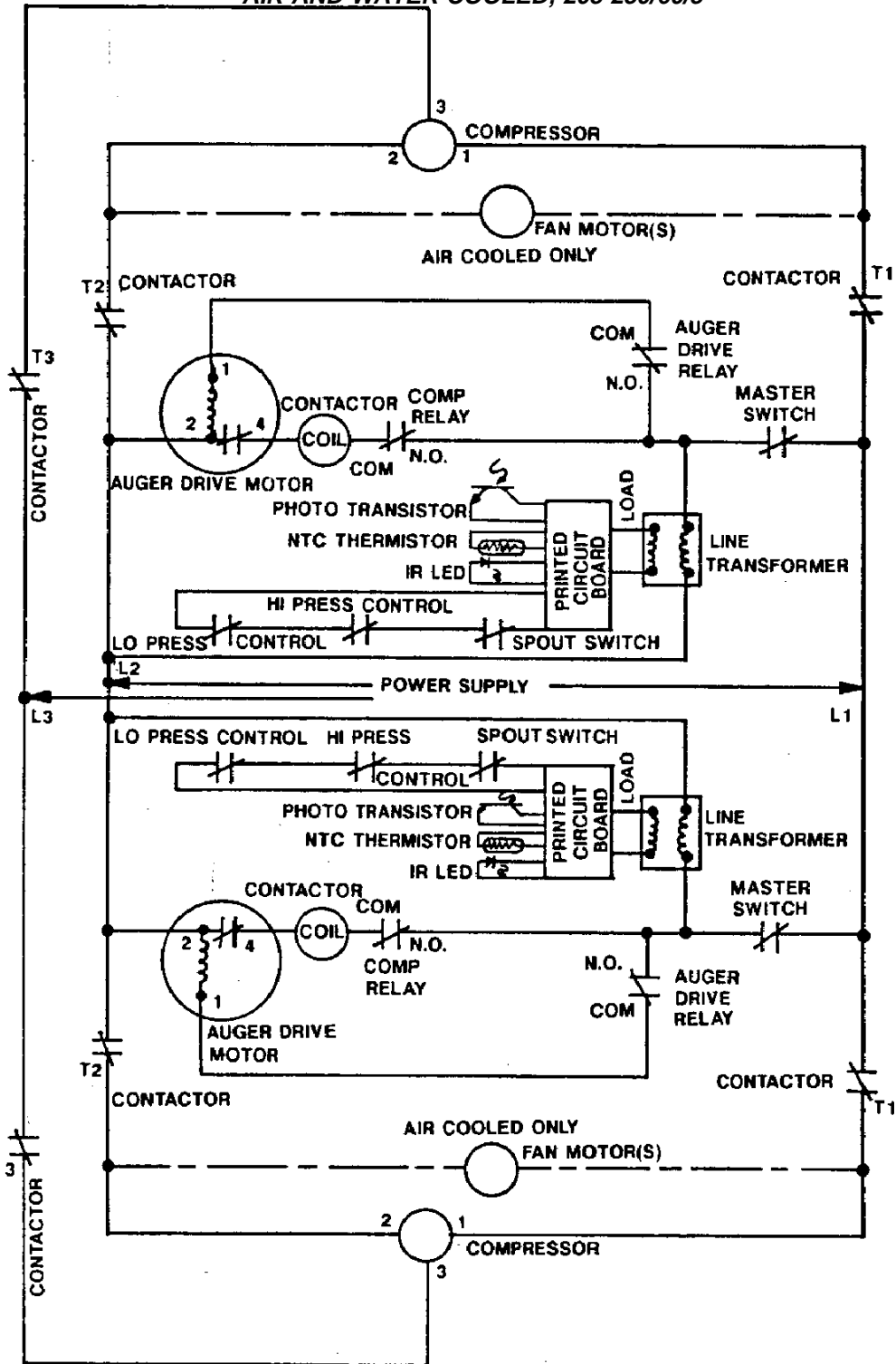
SEE NAMEPLATE FOR PROPER VOLTAGE REQUIREMENTS AND MAX FUSE SIZE

POWER SUPPLY
ALL POWER LEADS
MUST BE FUSED

A34306-003

FM2402 SERVICE PARTS

AIR AND WATER COOLED, 208-230/60/3



**USE COPPER CONDUCTORS ONLY
ALL CONTROLS SHOWN IN NORMAL ICEMAKING MODE
THIS UNIT MUST BE GROUNDED**