

NME950 & FME1200 SERVICE PARTS

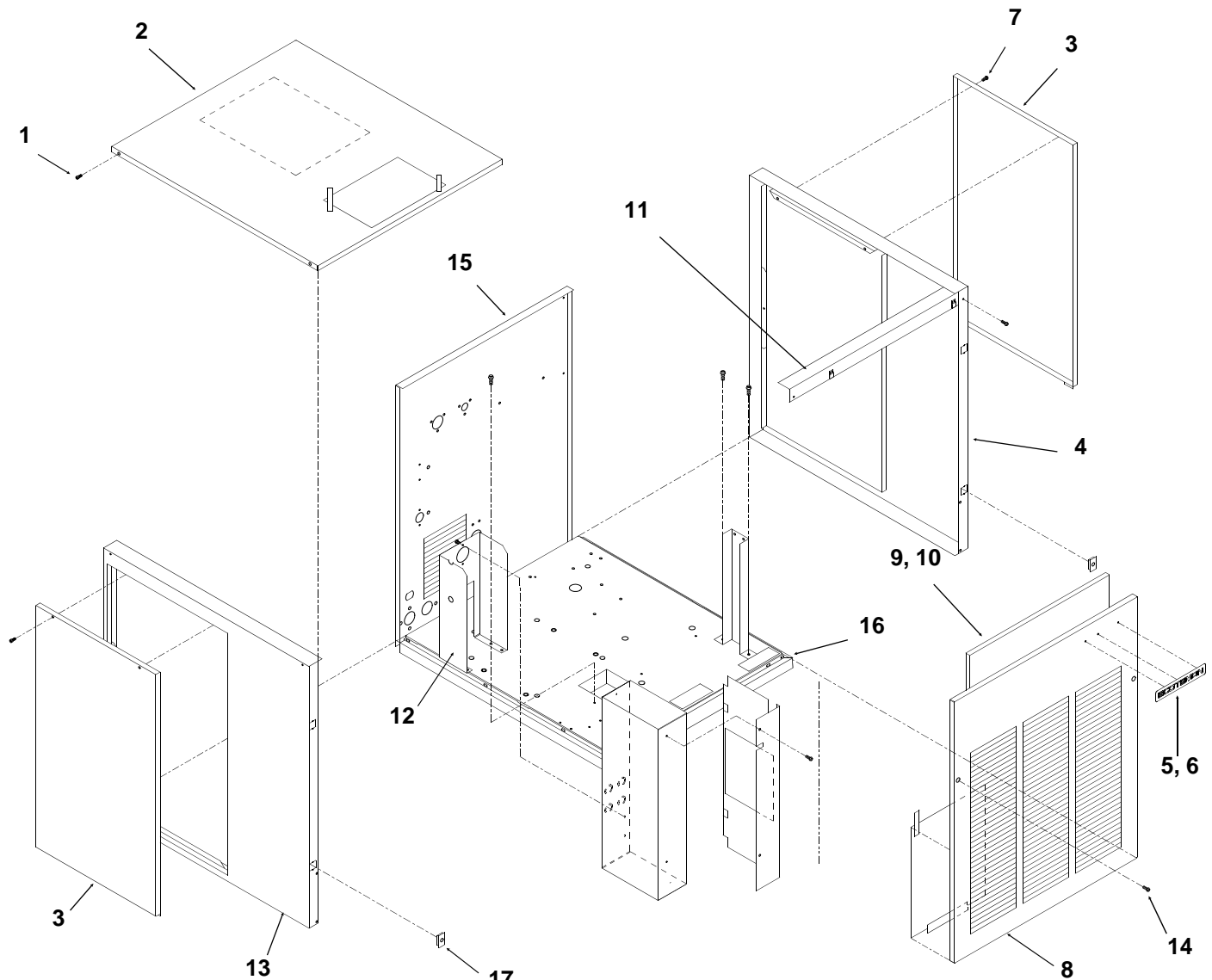
This parts list contains the service parts and wiring diagrams for this model. Check the model number in question to be sure that it is applicable to this parts list.

Note that these machines have been manufactured in both 50 and 60 cycle. 60 Hz model numbers end in -3 or -32. 50 Hz model numbers end in -6.

TABLE OF CONTENTS

| | |
|---------------------------------|----|
| Cabinet | 2 |
| Air Cooled Refrigeration | 3 |
| Water Cooled Refrigeration..... | 4 |
| Water System | 5 |
| Gearmotor..... | 6 |
| NME Evaporator | 7 |
| FME Evaporator | 8 |
| Control Box..... | 9 |
| Wiring Diagrams..... | 10 |

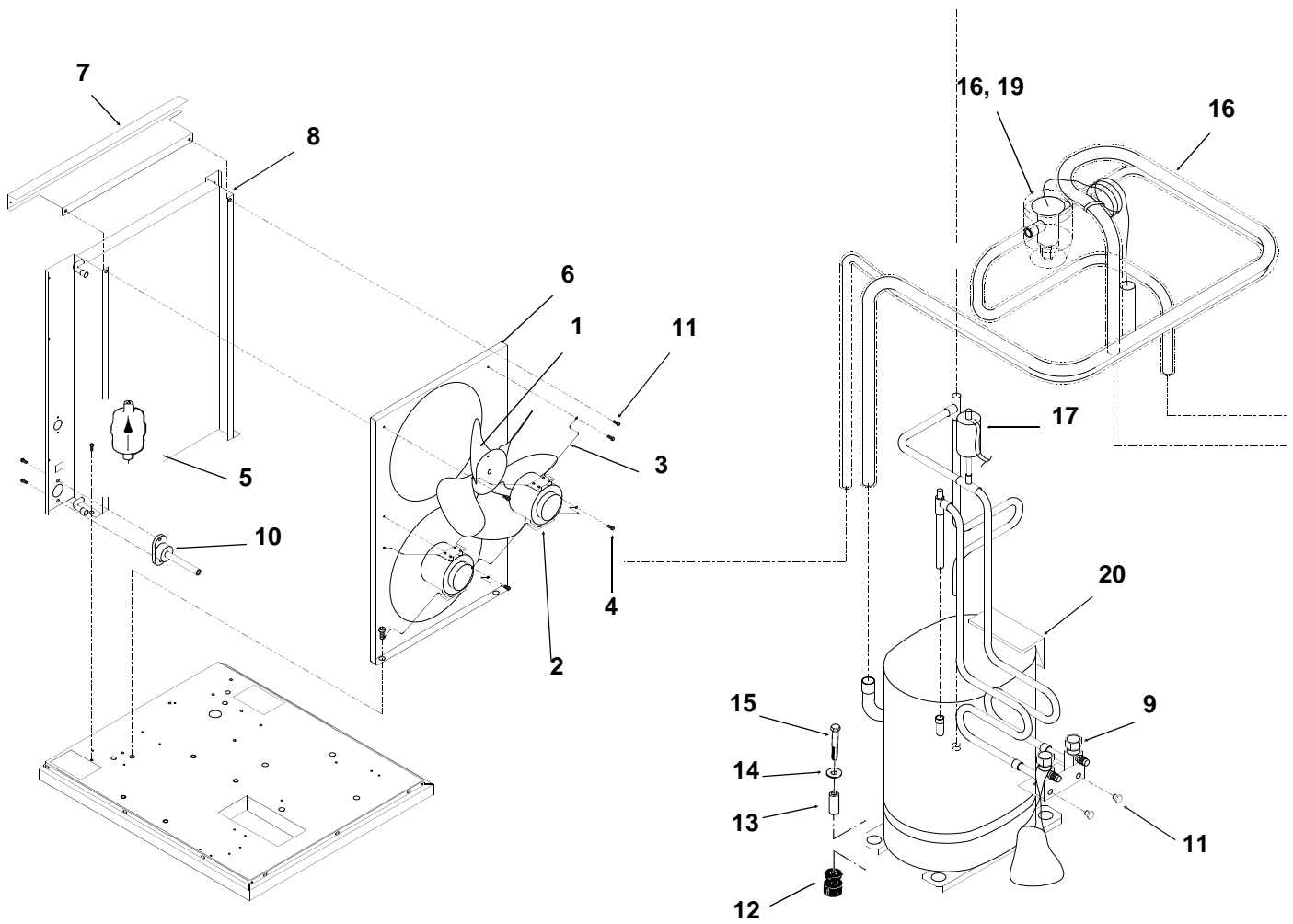
NME950 & FME1200 SERVICE PARTS Cabinet Assembly



| ITEM NUMBER | PART NUMBER | DESCRIPTION | ITEM NUMBER | PART NUMBER | DESCRIPTION |
|-------------|-------------|---------------------------|-------------|--------------------|-----------------------------|
| 1 | 03-1531-01 | Screw | 9 | 02-2976-01 | Filter Assembly |
| 2 | A33256-001 | Top Panel, sandalwood | 10 | 03-1660-01 | Filter clip |
| | A33256-015 | Top panel, gray | 11 | A34348-001 | Ft. brace |
| | A33256-002 | Top Panel, S.S. | 12 | A34039-001 | Control Box Support |
| 3 | A34038-001 | Service Panel, sandalwood | 13 | A32435-001 | Left Side Panel, sandalwood |
| | A34038-015 | Service panel, gray | | A32435-015 | Left side panel, gray |
| | A34038-002 | Service Panel, S.S. | | A32435-002 | Left Side Panel, S.S. |
| 4 | A33292-001 | Right Side Panel, s-wood | 14 | 03-1419-22 | Screw |
| | A33292-015 | Right side panel, gray | 15 | Water Cooled only: | |
| | A33292-002 | Right Side Panel, S.S. | | A35924-001 | Rear Panel, Painted |
| 5 | 03-0271-00 | Speed Clip | | A35924-002 | Rear panel, stainless |
| 6 | 15-0711-01 | Emblem, sandalwood | | A35924-015 | Rear panel, gray |
| | 15-0808-01 | Emblem, grey | 16. | A35890-001 | Base |
| 7 | 03-1404-12 | Screw | 17 | 02-0836-00 | Catch |
| 8 | A33255-001 | Front Panel, sandalwood | | 15-0411-00 | Strike (on front panel) |
| | A33255-015 | Front panel, gray | | | |
| | A33255-002 | Front Panel, S.S. | | | |

NME950 & FME1200 SERVICE PARTS

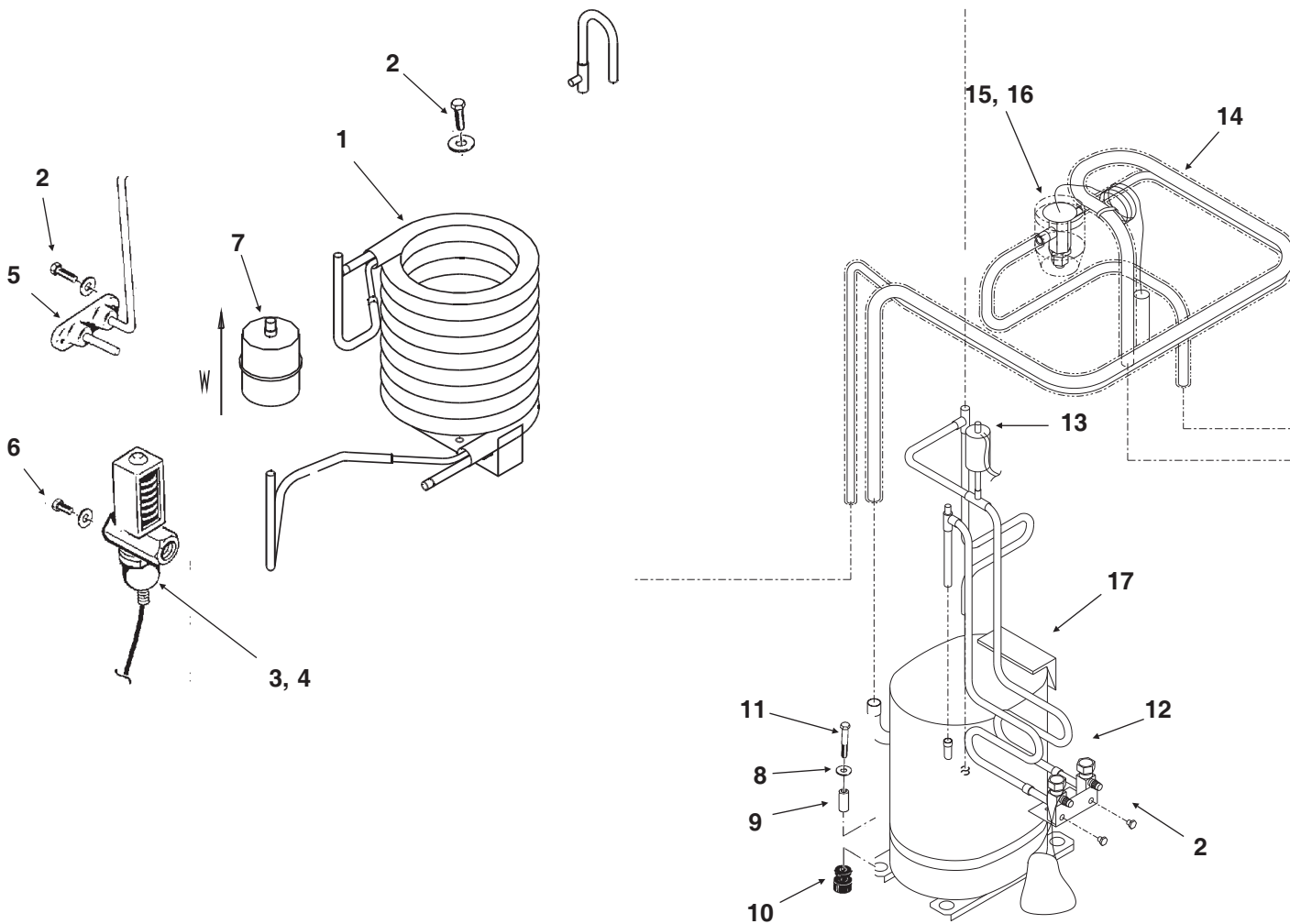
Air Cooled Refrigeration



| PART NUMBER | PART NUMBER | DESCRIPTION | ITEM NUMBER | PART NUMBER | DESCRIPTION |
|-------------|-------------|-----------------------------|--------------------------|-------------|--------------------------------|
| 1 | 18-3815-01 | Fan Blade | 14 | 03-1407-07 | Washer |
| 2 | 12-1576-02 | Fan Motor | 15 | 03-1405-20 | Cap Screw |
| 3 | 02-2378-01 | Fan Bracket | 16 | A36496-001 | Suction Line |
| 4 | 03-1404-12 | Screw | 17 | 11-0485-21 | Hi Pressure Cut Out |
| 5 | 02-3319-02 | Dryer | 18 | A32961-020 | Insulation Kit (3 piece) |
| 6 | A33231-001 | Fan Shroud | 19 | 11-0488-21 | Thermo Expansion Valve |
| 7 | A35582-001 | Fan shroud cover, painted | 20 | 18-8768-22 | Compressor 208-230/60/1 |
| | A35582-002 | Fan shroud cover, stainless | | | Overload for above is internal |
| 8 | 18-8717-01 | Condenser | | 18-8768-24 | Compressor 200-230/60/3 |
| 9 | 16-0832-20 | Access valve | | | Overload for above is internal |
| 9a | 16-0832-02 | Stem cap | | 18-8772-26 | Compressor 220-240/50/1 |
| 9b | 16-0832-03 | Core cap | | 18-8772-21 | Overload for above |
| 10 | 02-3692-22 | Drain casting | NME950-6B or FME1200-6B: | | |
| 11 | 03-1645-01 | Screw | 21 | 11-0512-01 | Low pressure cut out switch |
| 12 | 18-2200-28 | Grommet | | | |
| 13 | 18-2300-27 | Sleeve | | | |

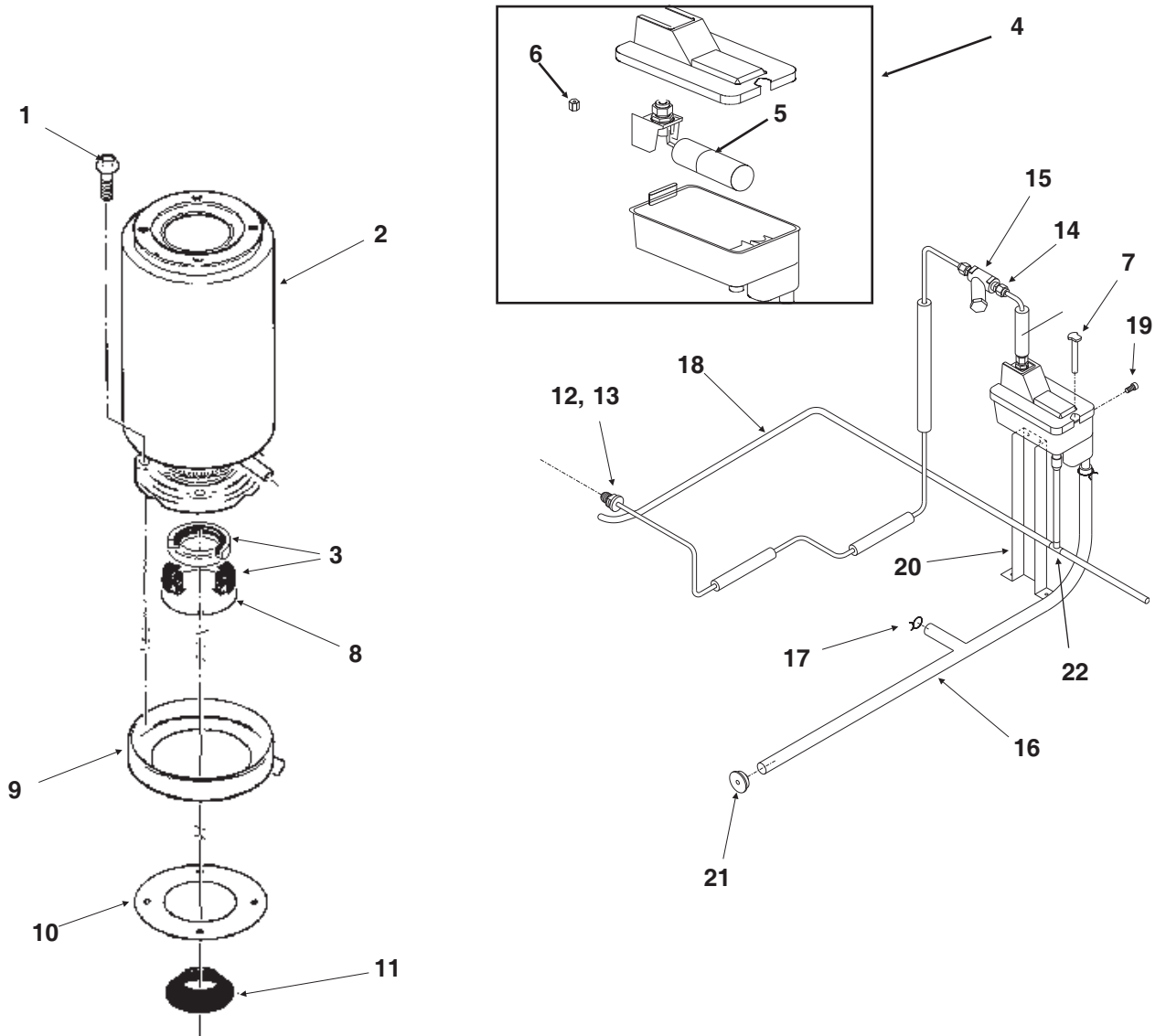
NME950 & FME1200 SERVICE PARTS

Water Cooled Refrigeration



| ITEM NUMBER | PART NUMBER | DESCRIPTION |
|--------------------------|-------------|---|
| 1 | 18-8718-25 | Condenser |
| 2 | 03-1645-01 | Screw |
| 3 | 11-0478-01 | Water Reg. Valve |
| 4 | 16-0401-02 | Elbow (not shown) |
| 5 | A31878-004 | Drain Assembly |
| 6 | 03-1403-14 | Screw |
| 7 | 02-3319-02 | Dryer |
| 8 | 03-1407-07 | Washer |
| 9 | 18-2200-27 | Sleeve |
| 10 | 18-2200-28 | Grommet |
| 11 | 03-1405-20 | Screw |
| 12 | 16-0832-20 | Access Valve Complete |
| 12a | 16-0832-02 | Stem cap |
| 12b | 16-0832-03 | Core cap |
| 13 | 11-0485-21 | Hi Pressure Cut Out |
| 14 | A36496-001 | Suction Line |
| 15 | A32961-020 | Insulation Kit (3 piece) |
| 16 | 11-0488-21 | Thermo Expansion Valve |
| 17 | 18-8768-22 | Compressor 208-230/60/1 Overload for above is internal |
| | 18-8768-24 | Compressor 200-230/60/3 Overload for above is internal |
| | 18-8772-26 | Compressor 220-240/50/1 |
| | 18-8772-21 | Overload for above |
| NME950-6B or FME1200-6B: | | |
| 18 | 11-0512-01 | Low pressure cut out switch |

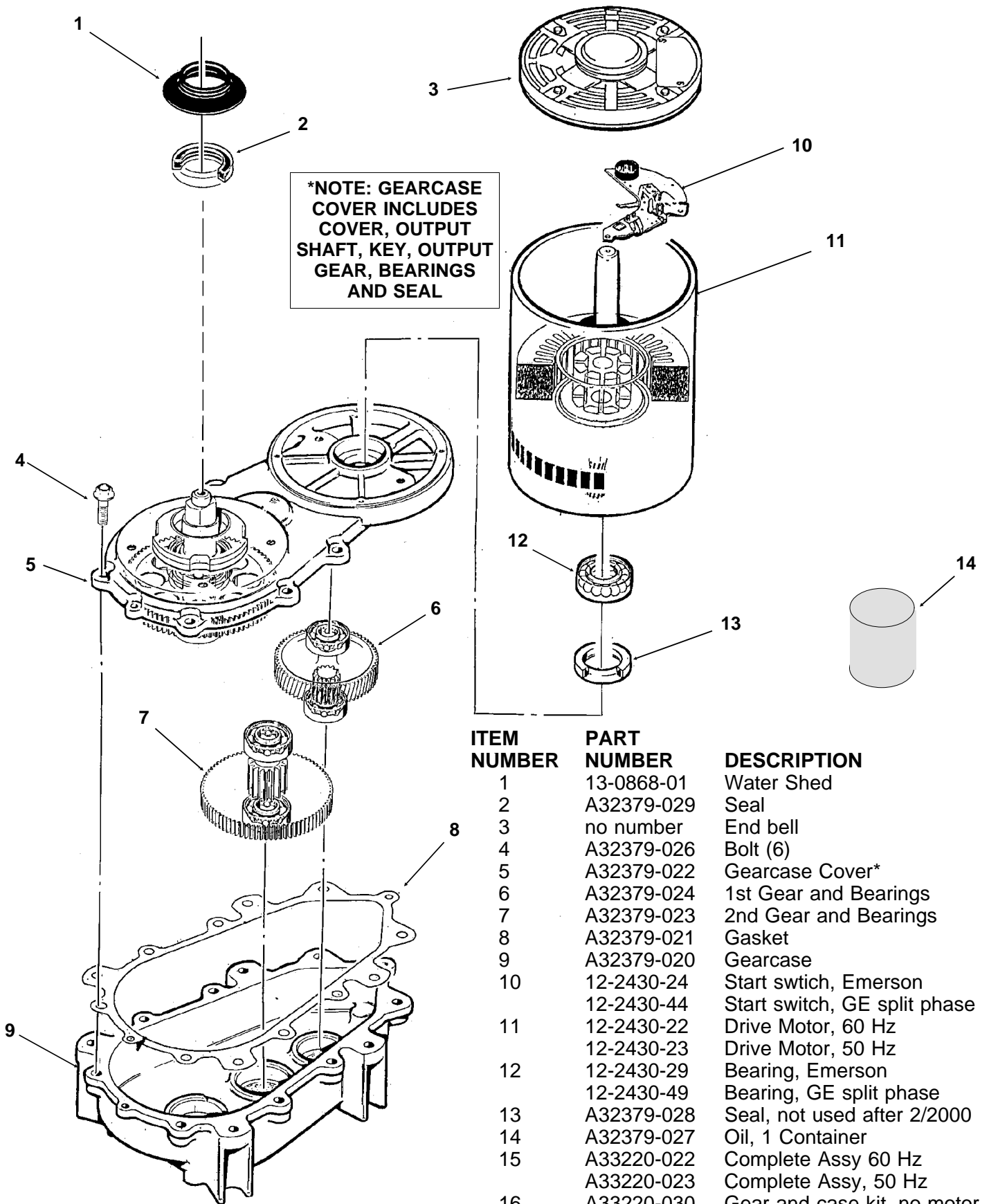
NME950 & FME1200 SERVICE PARTS Water System



| ITEM NUMBER | PART NUMBER | DESCRIPTION | ITEM NUMBER | PART NUMBER | DESCRIPTION |
|-------------|-------------|-------------------------|-------------|-------------|------------------------|
| 1 | 03-1405-41 | Cap Screw | 15 | 16-0162-00 | Strainer |
| 2 | A32890-020 | Evaporator | 16 | A36154-001 | Evap. water inlet tube |
| 3 | 02-0929-23 | Water Seal | 17 | 02-1338-00 | Hose clamp |
| 4 | 02-3266-01 | Reservoir & valve | 18 | 13-0079-03 | Res. overflow hose |
| 5 | 02-3266-02 | Float valve | 19 | 03-1639-03 | Screw |
| 6 | 02-3266-03 | Plunger/seat | 20 | A36078-002 | Reservoir bracket |
| 7 | A33101-022 | Water Level Sensor | 21 | 13-0840-01 | Rubber cap |
| 8 | A32777-021 | Retaining Ring for Seal | 22 | 16-0670-02 | Tee |
| 9 | A32050-001 | Drip Pan | | | |
| 10 | 13-0704-00 | Gasket | | | |
| 11 | 13-0868-01 | Water Shed | | | |
| 12 | A27318-001 | Water Inlet Fitting | | | |
| 13 | 03-1394-01 | Pal Nut | | | |
| 14 | 16-0791-01 | Coupling union | | | |

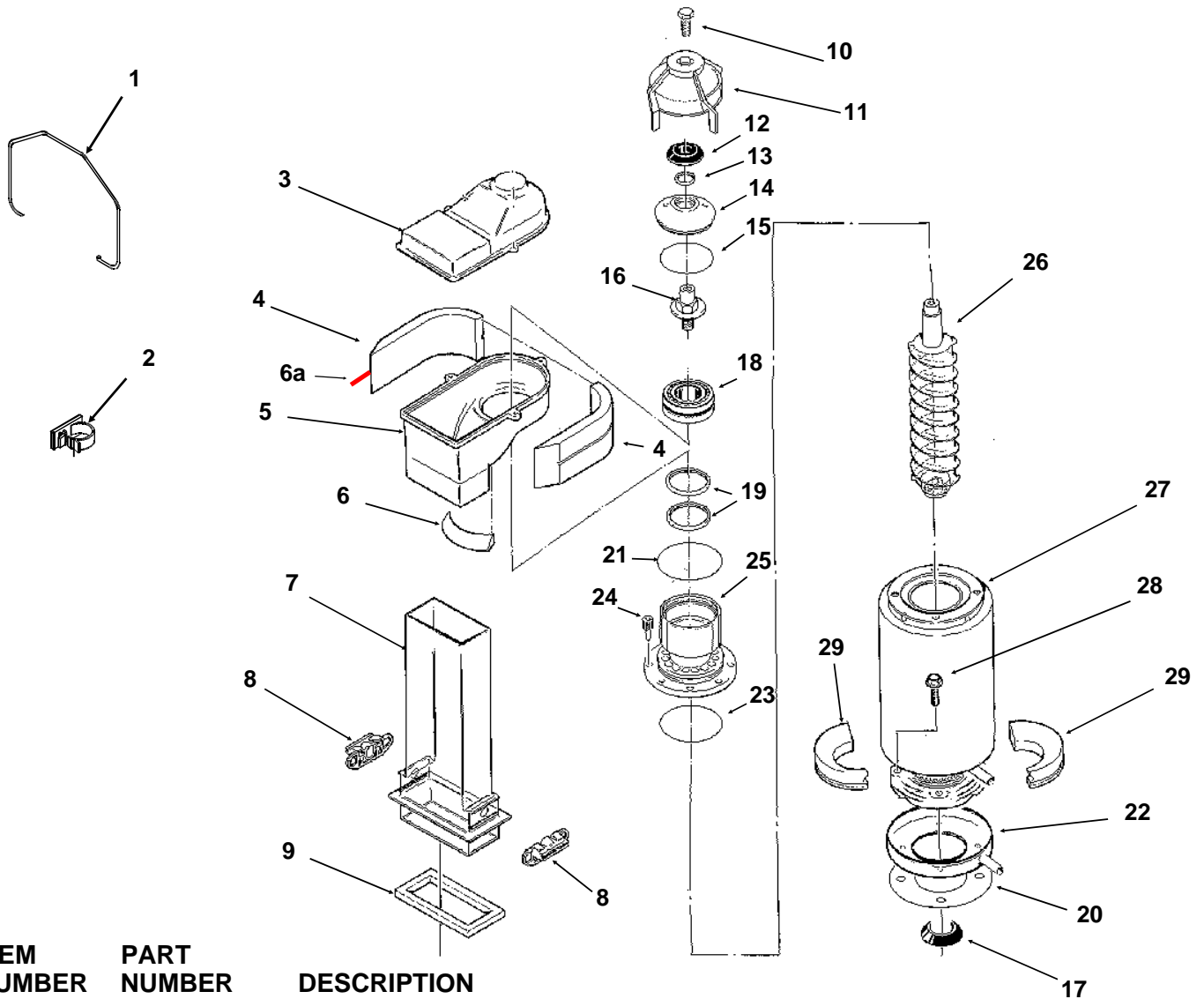
NME950 & FME1200 SERVICE PARTS

Gearmotor



NME950 & FME1200 SERVICE PARTS

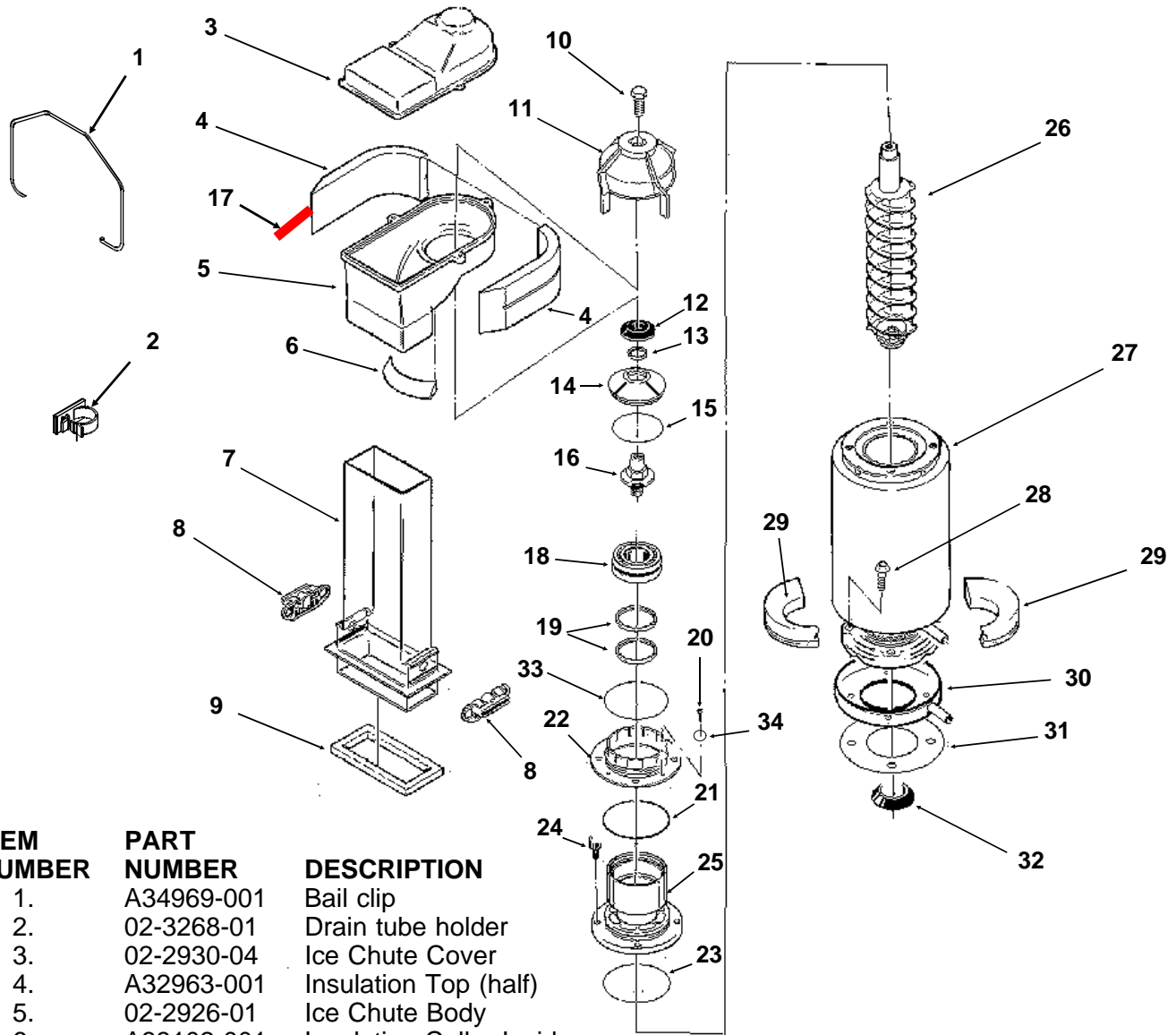
NME Evaporator



| ITEM NUMBER | PART NUMBER | DESCRIPTION |
|-------------|-------------|----------------------------------|
| 1. | A34969-001 | Bail clip |
| 2. | 02-3268-01 | Drain tube holder |
| 3. | 02-2930-04 | Ice Chute Cover |
| 4. | A32963-001 | Insulation Top (half) |
| 5. | 02-2926-01 | Ice Chute Body |
| 6. | A33102-001 | Insulation Collar Inside |
| 6a | A35419-020 | Strap kit |
| 7. | 02-2929-04 | Ice Chute Lower |
| 8. | A37708-021 | Bin Controls Assy. (set of 2) |
| 9. | A32930-001 | Chute Gasket |
| 10. | 03-1405-52 | Hex Cap Screw |
| 11. | 02-3001-01 | Ice Sweep |
| 12. | 13-0871-01 | Water Shed |
| 13. | 02-2978-01 | Lip Seal |
| 14. | 02-3128-20 | Breaker Cover |
| 15. | 13-0617-52 | O-Ring |
| 16. | 08-0660-01 | Auger Stud & washer |
| 17. | 13-0868-01 | Water Shed |
| 18. | A34559-020 | Bearing |
| 19. | 02-2977-01 | Lip Seal |
| 20. | 13-0704-00 | Drip Pan Gasket |
| 21. | 13-0617-54 | O-Ring |
| 22. | 02-3837-01 | Drip Pan |
| 23. | 13-0617-45 | O-Ring |
| 24. | 03-1544-08 | Soc. Head Screw |
| 25. | A32900-020 | Breaker (includes 18 & 19) |
| 26. | A38071-022 | Auger |
| 27. | A32890-020 | Evaporator |
| 28. | 03-1405-41 | Cap Screw |
| 29. | A32962-001 | Insulation Bot. (half) |

NME950 & FME1200 SERVICE PARTS

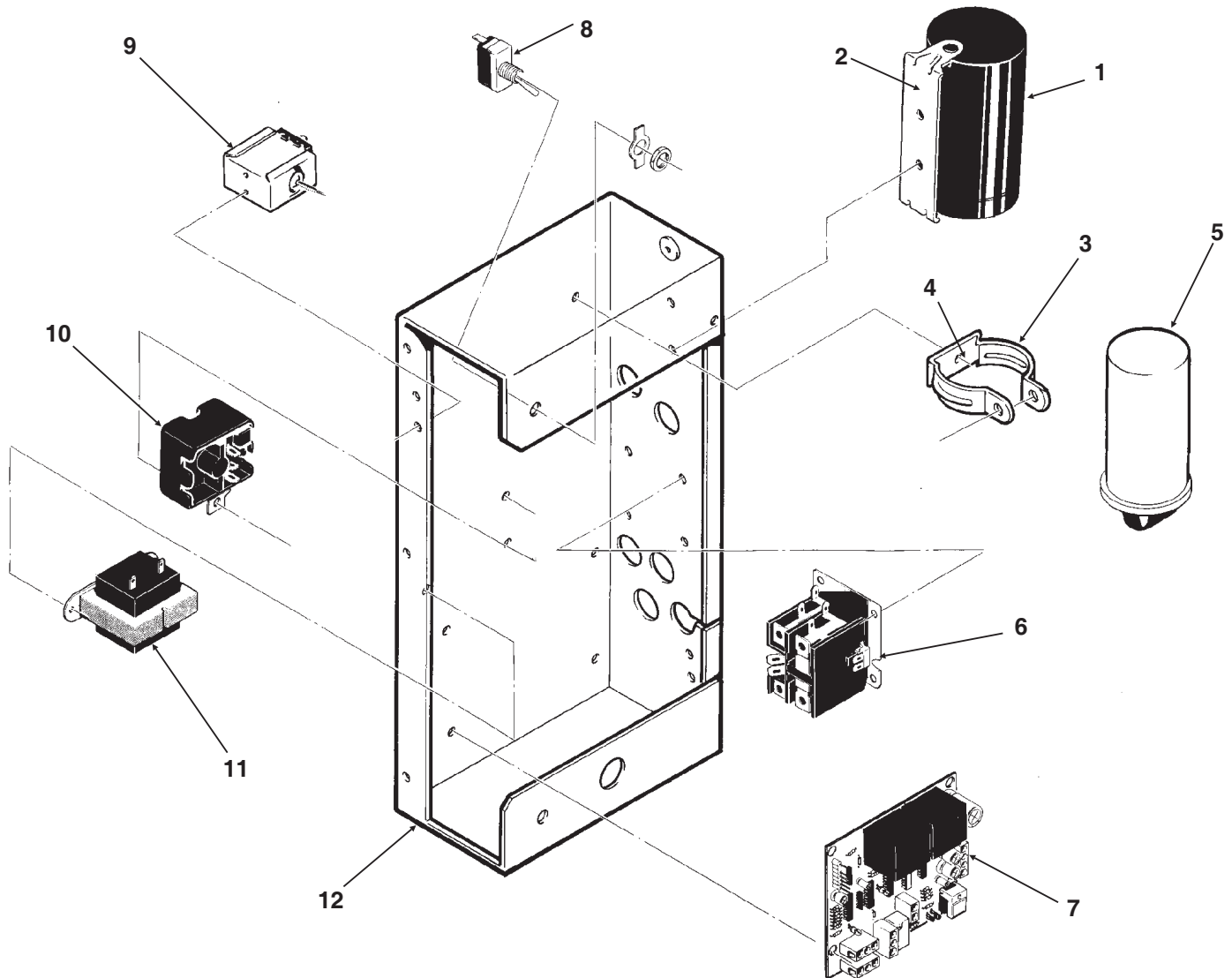
FME Evaporator



| ITEM NUMBER | PART NUMBER | DESCRIPTION |
|-------------|-------------|---|
| 1. | A34969-001 | Bail clip |
| 2. | 02-3268-01 | Drain tube holder |
| 3. | 02-2930-04 | Ice Chute Cover |
| 4. | A32963-001 | Insulation Top (half) |
| 5. | 02-2926-01 | Ice Chute Body |
| 6. | A33102-001 | Insulation Collar Inside |
| 7. | 02-2929-04 | Ice Chute Lower |
| 8. | A37708-021 | Bin Controls Assy. (set of 2) |
| 9. | A32930-001 | Chute Gasket |
| 10. | 03-1405-52 | Hex Cap Screw |
| 11. | 02-3001-01 | Ice Sweep |
| 12. | 13-0871-01 | Water Shed |
| 13. | 02-2978-01 | Lip Seal |
| 14. | 02-3128-20 | Breaker Cover |
| 15. | 13-0617-54 | O-Ring |
| 16. | 08-0660-01 | Auger Stud, thrust Washer |
| 17. | A35419-020 | Strap kit |
| 18. | A34559-020 | Bearing |
| 19. | 02-2977-01 | Lip Seal |
| 20. | 03-1405-27 | Screw |
| | | 21. 13-0617-52 O-Ring |
| | | 22. 02-2916-01 Slotted Collar |
| | | 23. 13-0617-45 O-Ring |
| | | 24. 03-1544-08 Soc. Head Screw |
| | | 25. A34505-020 Breaker (Divider) (includes 18 & 19) |
| | | 26. A38071-022 Auger |
| | | 27. A32890-020 Evaporator |
| | | 28. 03-1405-41 Cap Screw |
| | | 29. A32962-001 Insulation Bot. (half) |
| | | 30. 02-3837-01 Drip Pan |
| | | 31. 13-0704-00 Drip Pan Gasket |
| | | 32. 13-0868-01 Water Shed |
| | | 33. 13-0617-49 O-Ring |
| | | 34. 03-1408-36 Washer |

NME950 & FME1200 SERVICE PARTS

Control Box

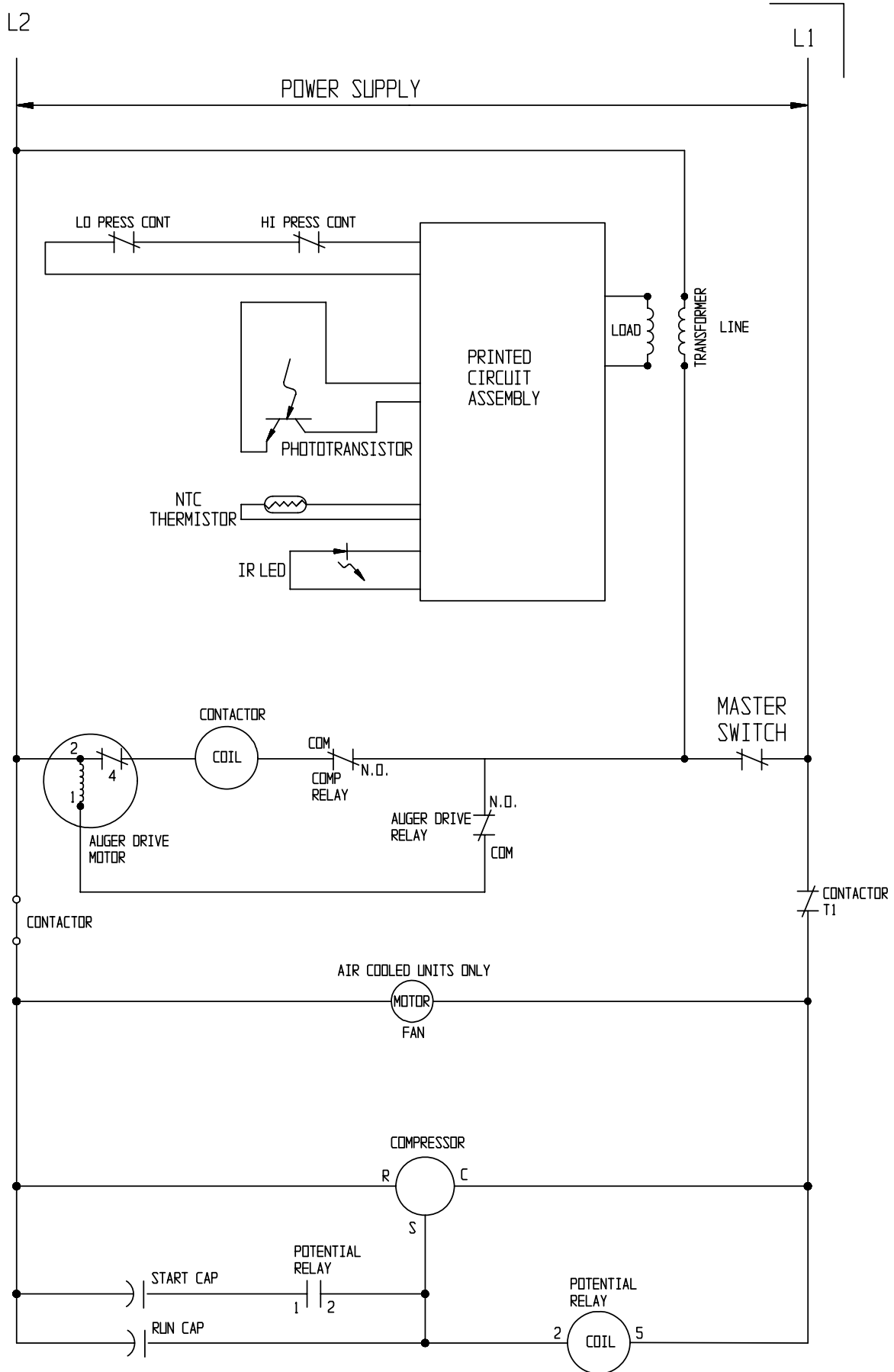


| ITEM NUMBER | PART NUMBER | DESCRIPTION | ITEM NUMBER | PART NUMBER | DESCRIPTION |
|-------------|-------------|-------------------------|-------------------------------|-------------|---|
| 1 | 18-1901-54 | Start Capacitor, 60 Hz | 7 | A37750-022 | Circuit Board |
| | 18-1901-53 | Start Capacitor, 50 Hz | 8. | 12-0426-01 | Master Switch |
| | 18-4300-50 | Start Capacitor Cap. | NME950-6B or FME1200-6B only: | | |
| 2. | 18-2200-39 | Start Capacitor Bracket | | 12-2637-01 | Toggle Switch |
| | 03-1638-04 | Screw | 9. | 11-0447-20 | Low Pressure Control |
| | 03-1417-16 | Lockwasher | 10 | 18-1903-33 | Potential Relay, 60 Hz |
| 3. | A32872-001 | Run Cap Bracket | | 18-1903-54 | Potential relay, 50 Hz |
| | 03-1652-02 | Bolt | 11. | 12-2285-22 | Transformer |
| | 03-0255-04 | Wing Nut | NME950-6B or FME1200-6B only: | | |
| 4. | 03-1638-03 | Screw | | 12-2639-01 | Transformer |
| 5. | 18-1902-45 | Run capacitor, 60 Hz | 12 | no number | Control Box |
| | 18-1902-53 | Run capacitor, 50 Hz | NOT ILLUSTRATED | | |
| 6. | 12-2469-02 | Single Phase Contactor | 13. | 12-2340-01 | 4 Pin Plug Assy (Transformer to Circuit Board) |
| | 12-0739-02 | Three phase contactor | 14. | A34055-001 | Control Box Cover |
| | | | NME950-6B or FME1200-6B only: | | |
| | | | 15 | 12-2687-01 | Fuse block |

Note: Hz means Cycles, 50 Hz is 50 cycle, the model number ends in a -6 for 50 Hz models.

NME950 & FME1200 SERVICE PARTS

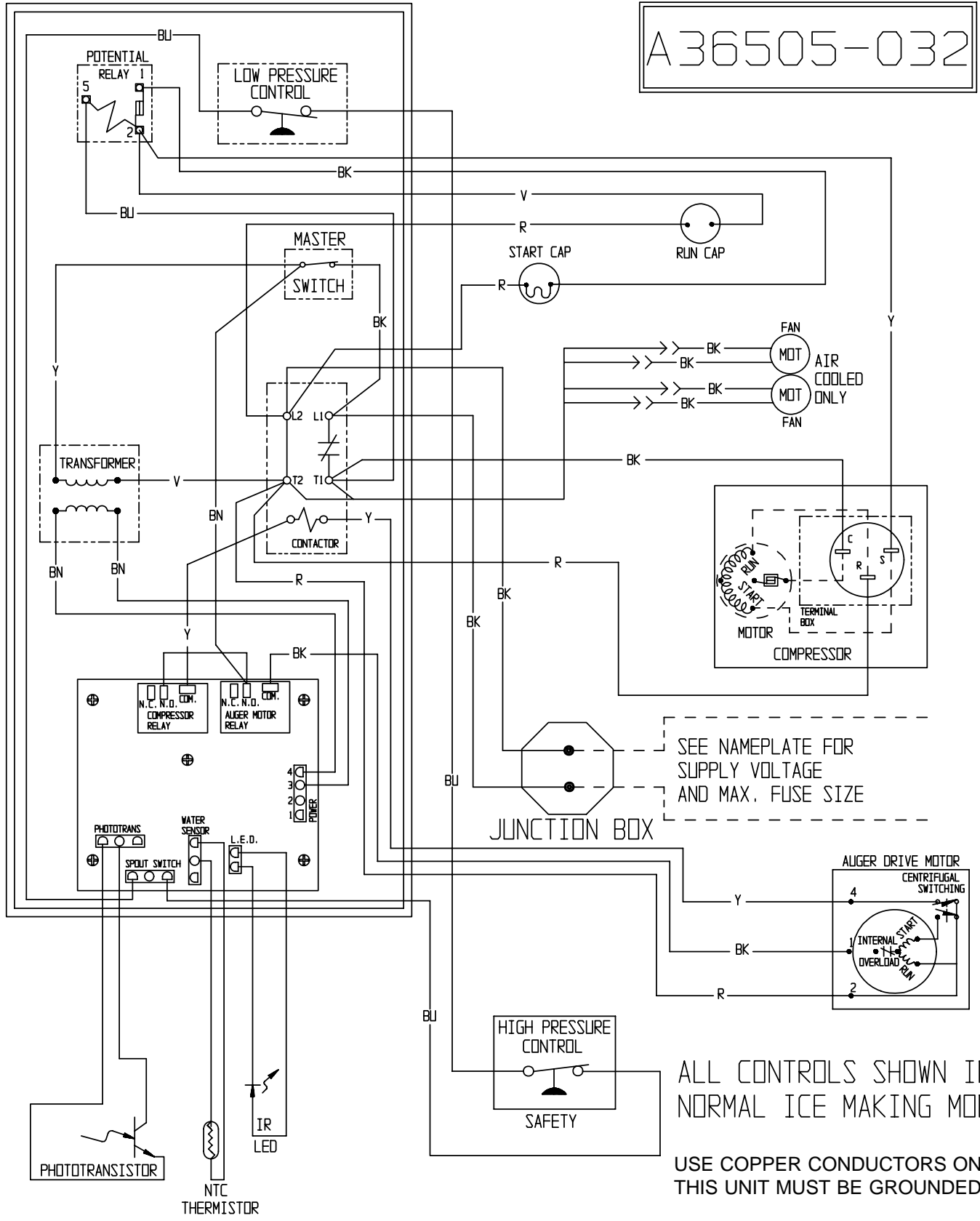
AIR AND WATER COOLED, 208-230/60/1



NME950 & FME1200 SERVICE PARTS

AIR AND WATER COOLED, 208-230/60/1

A36505-032

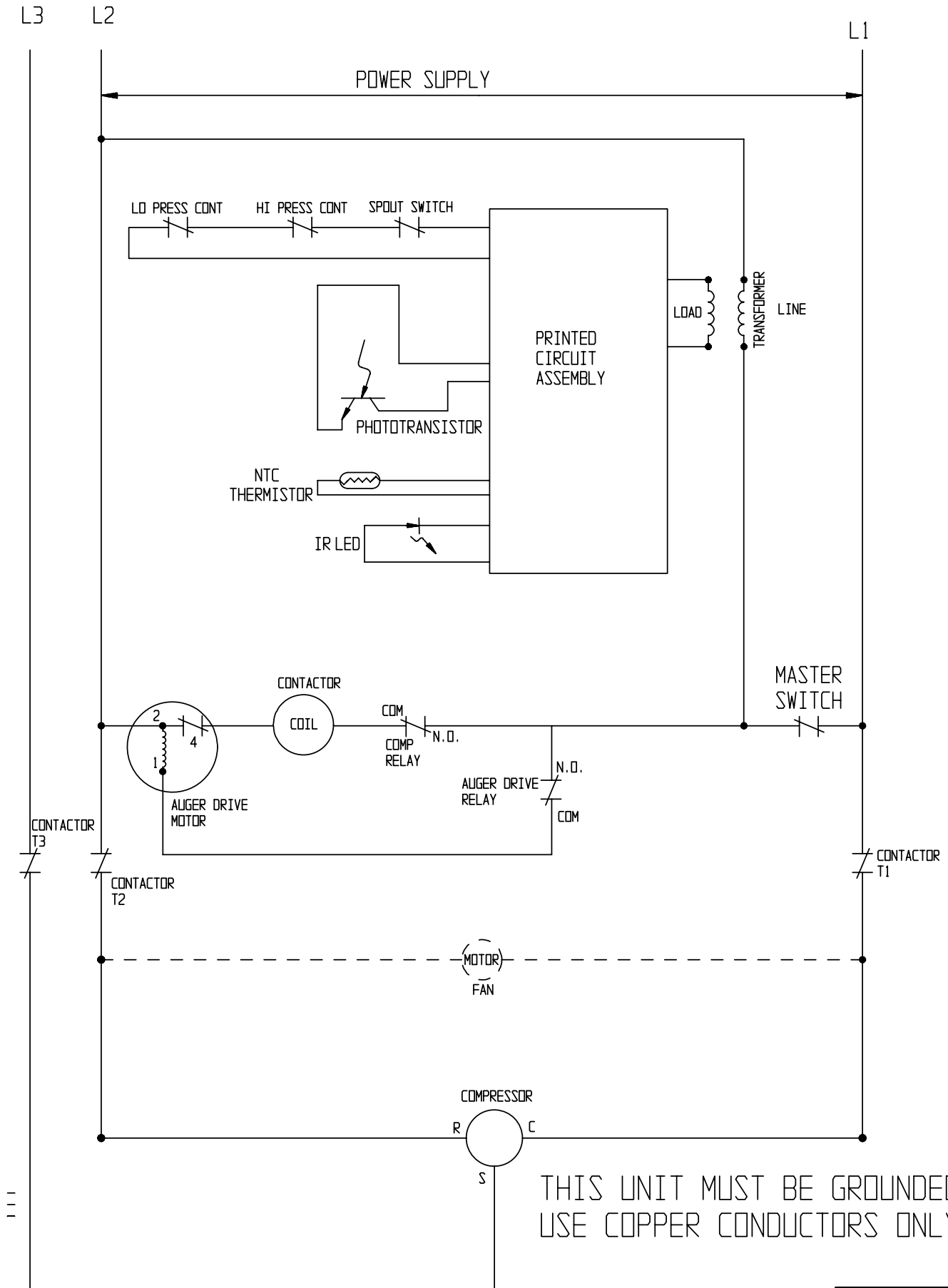


ALL CONTROLS SHOWN IN NORMAL ICE MAKING MODE

USE COPPER CONDUCTORS ONLY
THIS UNIT MUST BE GROUNDED

NME950 & FME1200 SERVICE PARTS

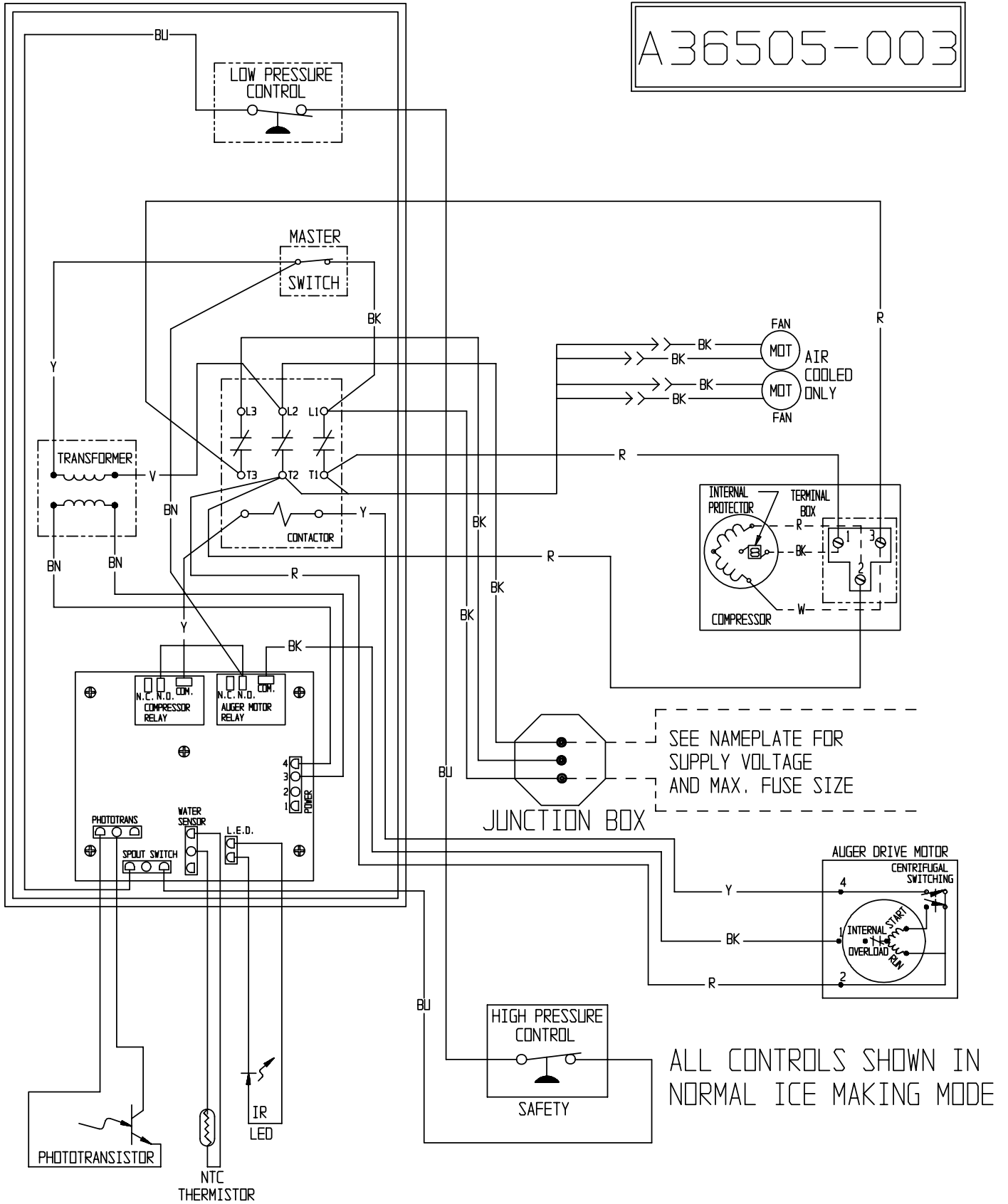
AIR AND WATER COOLED, 208-230/60/3



NME950 & FME1200 SERVICE PARTS

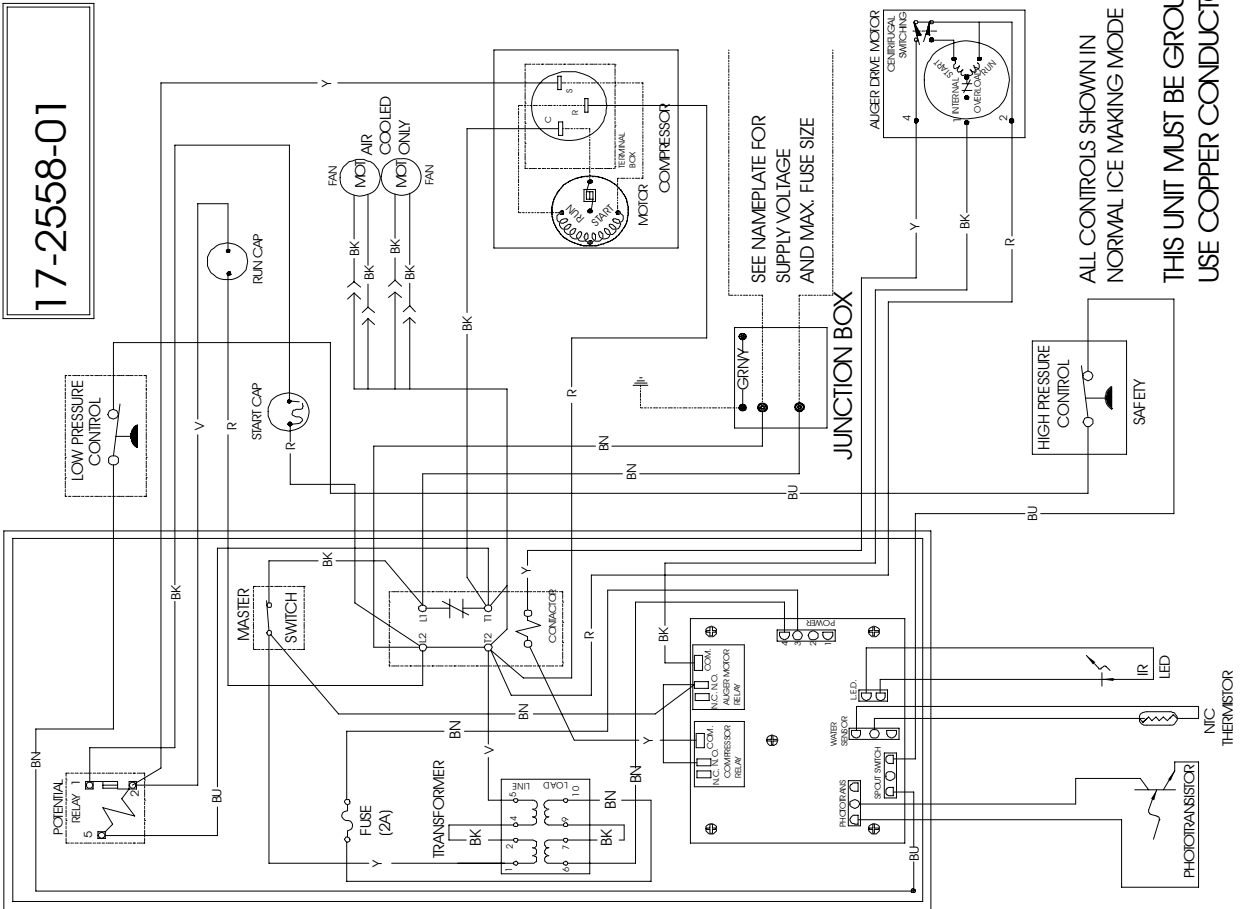
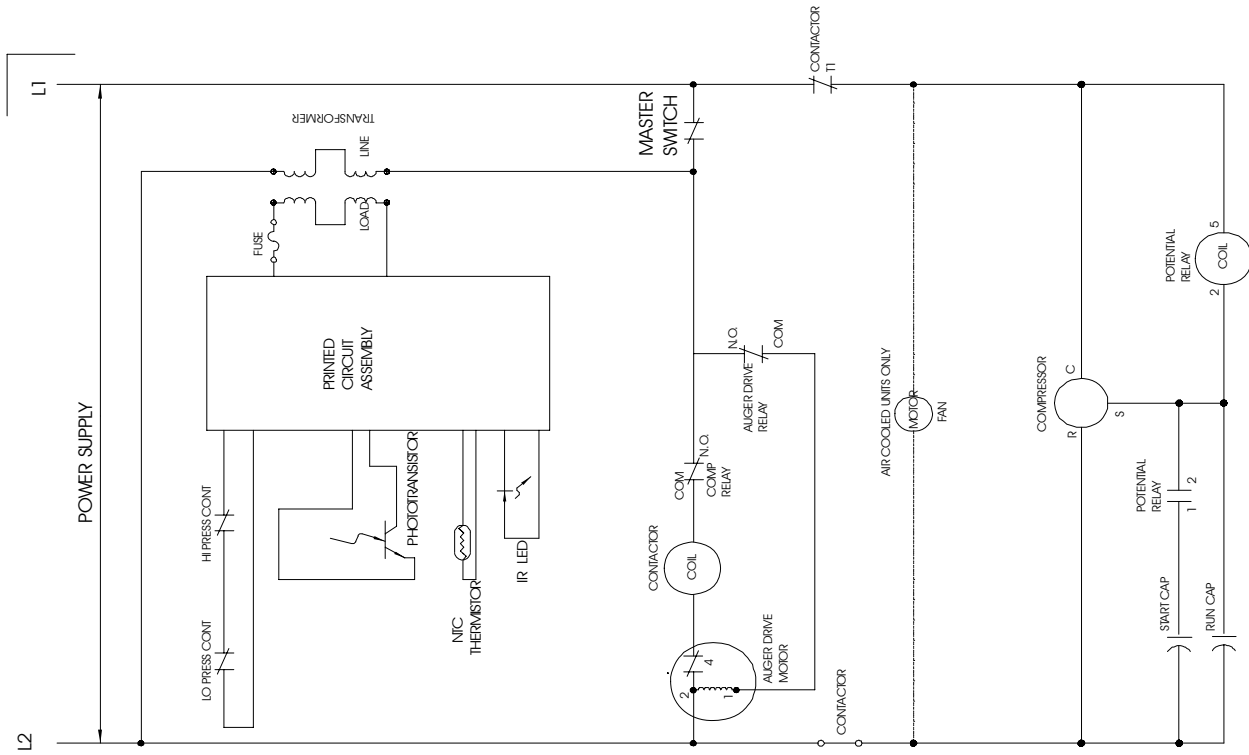
AIR AND WATER COOLED, 208-230/60/3

A36505-003



NME950 & FME1200 SERVICE PARTS

NME950 or FME1200 -6B



17-2558-01

SEE NAMEPLATE FOR
SUPPLY VOLTAGE
AND MAX. FUSE SIZE

JUNCTION BOX

ALL CONTROLS SHOWN IN
NORMAL ICE MAKING MODE

THIS UNIT MUST BE GROUNDED
USE COPPER CONDUCTORS ONLY