

# **HC400 Parts List**

## **Table of Contents**

**Cabinet**

**Air Cooled**

**Water Cooled**

**Evaporator**

**Control Box**

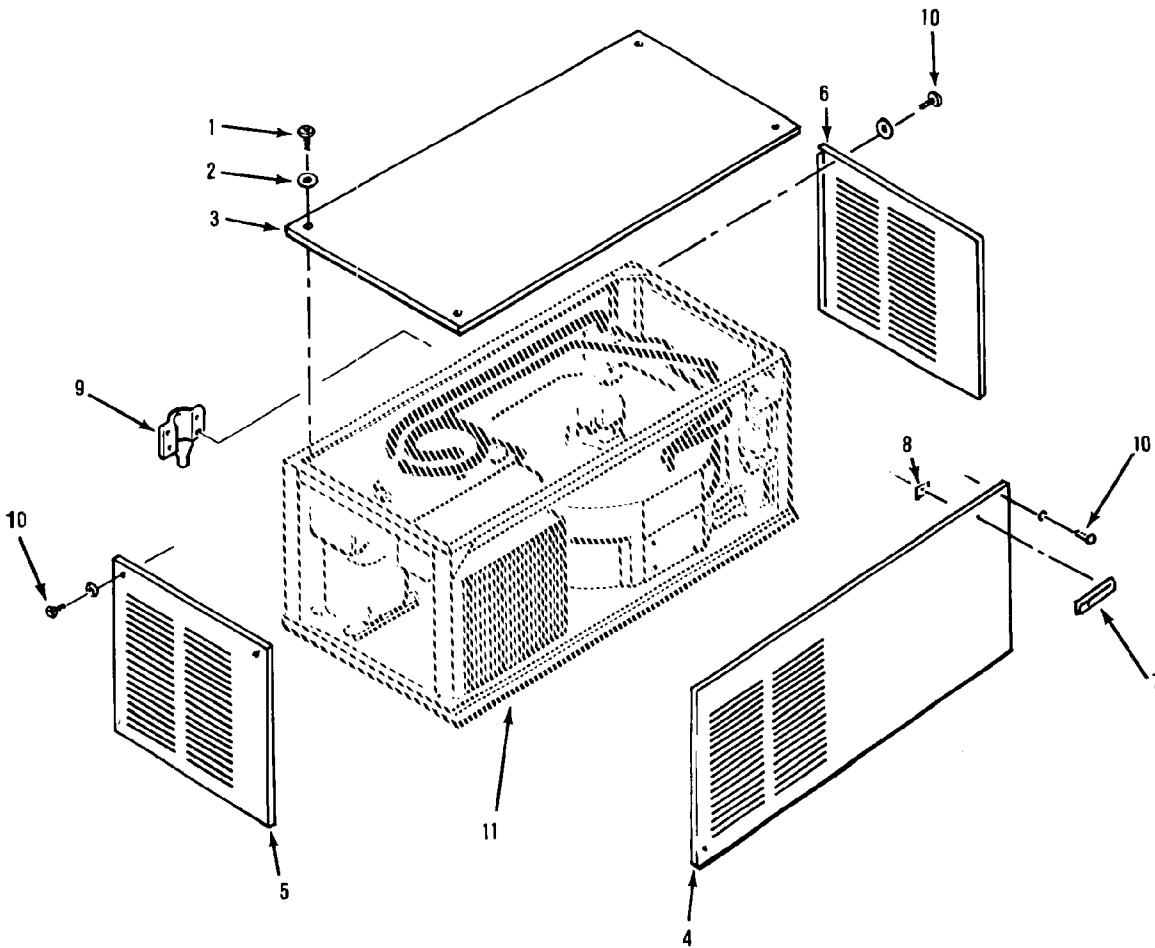
**Wiring Diagrams**

# HC400

## PARTS ILLUSTRATIONS AND PARTS LISTS

### HC400 CABINET ASSEMBLY PARTS LISTING

1	Screw, No. 8 x 1-1/4 Flat Hd. Stainless Steel	03-1419-09	6
2	Lockwasher 1/4 Counter Sunk External Tooth	03-1417-08	10
3	Panel, Top (Enamel)	A23784-006	1
	Panel, Top (Stainless Steel)	A23784-002	1
4	Panel, Front (Enamel)	A23785-005	1
	Panel, Front (Stainless Steel)	A23785-002	1
5	Panel, Left Side (Enamel)	A23782-006	1
	Panel, Left Side (Stainless Steel)	A23782-002	1
6	Panel, Right Side (Enamel)	A23783-006	1
	Panel, Right Side (Stainless Steel)	A23783-002	1
7	Logo Plate, Scotsman	15-0711-01	1
8	Clip	03-0271-00	2
9	Base Drain	02-2296-01	1
10	Screw, No. 8 x 1/2 Stainless Steel	02-1404-10	8
11	Cabinet Frame Assembly	A26178-001	1



*HC400 Cabinet Assembly.*

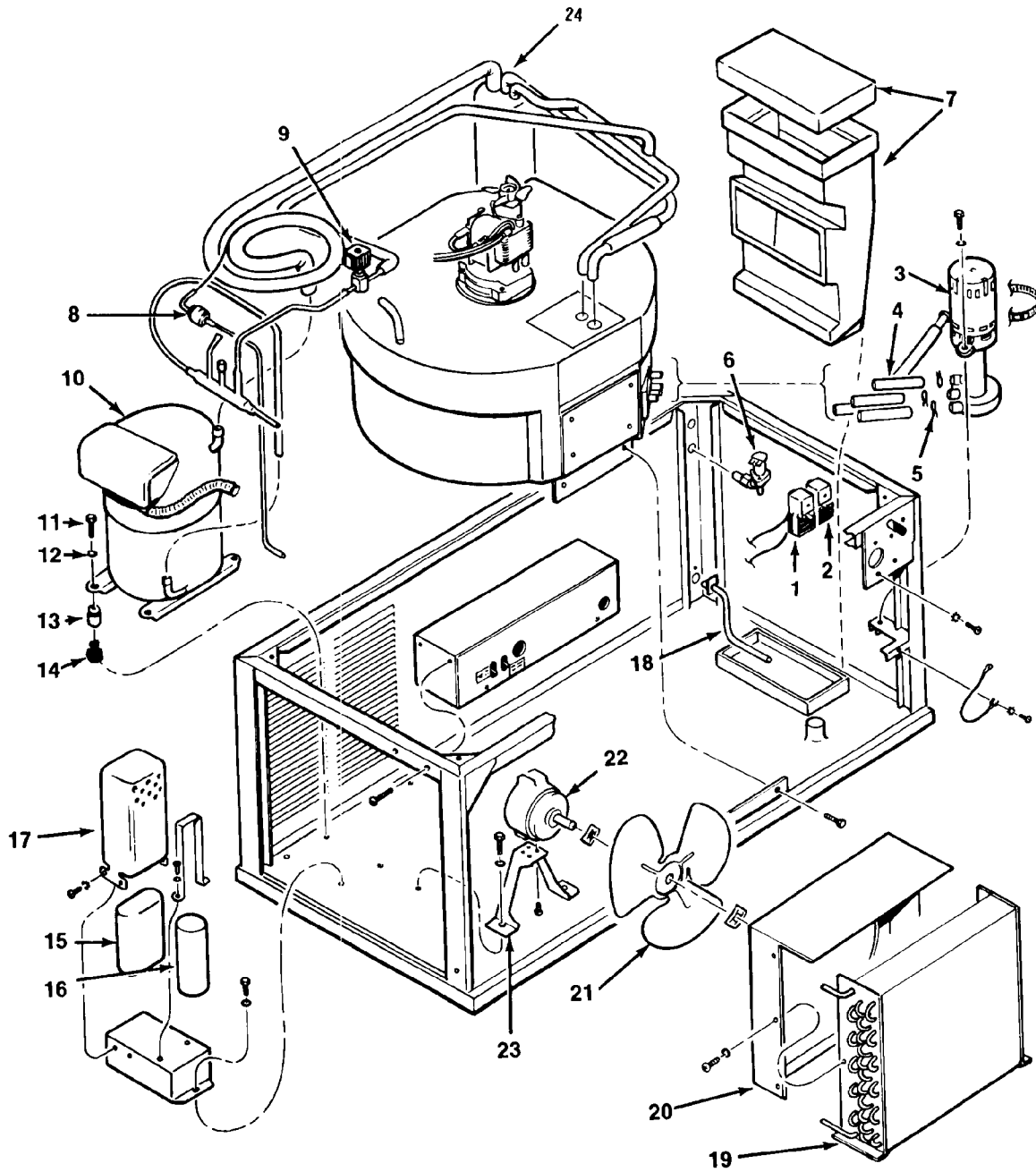
## HC400

### PARTS ILLUSTRATIONS AND PARTS LISTS

#### HC400 MAJOR ASSEMBLIES AIR-COOLED PARTS LISTING

1	Cube Size Control .....	11-0345-02	1
2	Thermostat, Bin .....	11-0353-03	1
3	Pump Assembly, Water .....	12-1930-01	1
4	Tube, Tygon (Order by the foot) .....	13-0674-07	4
5	Clamp, Hose .....	02-1358-00	4
6	Solenoid Assembly, Water .....	12-1900-07	1
	Fitting .....	16-0723-01	1
7	Chute, Cube, includes cover .....	A27821-001	1
8	Drier .....	02-2426-01	1
9	Solenoid Valve, Hot Gas .....	12-2135-01	1
10	Compressor Assembly - 115/60/1 .....	18-4200-01	1
	Compressor Assembly - 208-230/60/1 .....	18-4200-02	1
	Compressor Overload - 115/60/1 .....	18-4200-40	1
	Compressor Overload - 208/230/60/1 .....	18-4200-41	1
11	Screw, No. 5/16 x 18 Hex Machine .....	03-1405-20	1
12	Washer .....	03-1407-07	4
13	Sleeve .....	18-2300-26	4
14	Grommet, Mounting .....	18-2300-27	4
15	Capacitor, Run - 115/60/1 .....	18-1902-45	1
	Capacitor, Run - 208-230/60/1 .....	18-1902-29	1
16	Capacitor, Start - 115/60/1 .....	18-1901-09	1
	Capacitor, Start - 208-230/60/1 .....	18-1901-15	1
17	Relay - 115/60/1 .....	18-1903-33	1
	Relay - 208-230/60/1 .....	18-1903-29	1
18	Drain Tube Assembly .....	<i>No Number</i>	1
19	Condenser, Air-Cooled .....	18-3703-01	1
20	Shroud, Fan .....	02-2352-01	1
21	Fan Blade - Includes Mtg. Hwd. ....	18-0625-00	1
22	Motor, Fan - Includes Mtg. Hwd. - 115/60/1 .....	12-1681-01	1
	Motor, Fan - 208-230/60/1 .....	12-1681-01	1
23	Mount, Fan Motor .....	A25548-001	1
24	Accumulator Suction Line Assembly .....	A28803-020	1
25	Inlet Valve Fitting .....	16-0723-01	1

**HC400**  
**PARTS ILLUSTRATIONS AND PARTS LISTS**



*HC400 Major Assemblies Air-Cooled.*

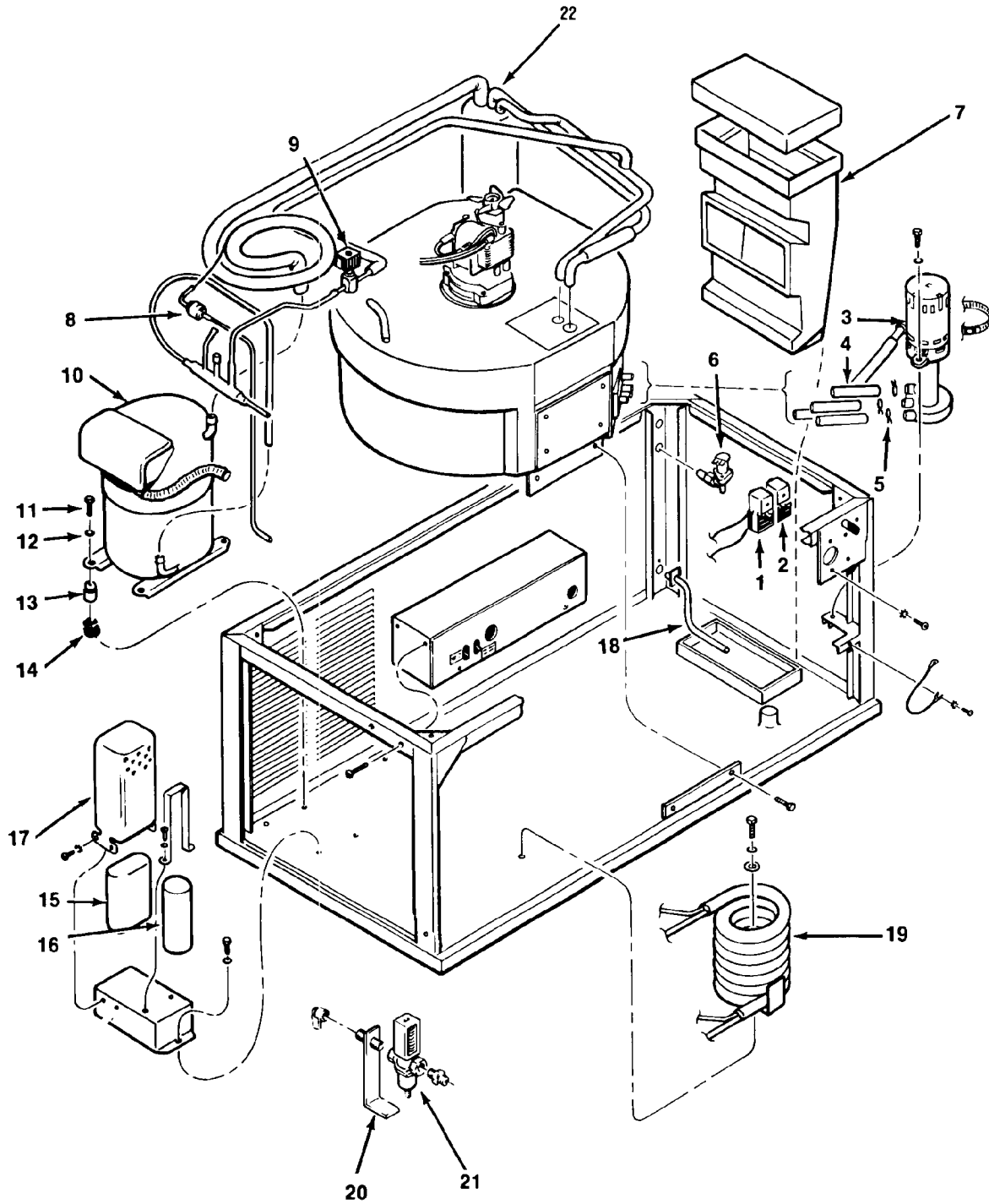
# HC400

## THE PARTS ILLUSTRATIONS AND PARTS LISTS

### HC400 MAJOR ASSEMBLIES WATER-COOLED PARTS LISTING

1	Cube Size Control .....	11-0345-02	1
2	Thermostat, Bin .....	11-0353-03	1
3	Pump Assembly, Water .....	12-1930-01	1
4	Tube, Tygon (Order by the foot) .....	13-0674-07	4
5	Clamp, Hose .....	02-1358-00	4
6	Solenoid Assembly, Water .....	12-1900-07	1
7	Chute, Cube, includes cover .....	A27821-001	1
8	Drier .....	02-2426-01	1
9	Solenoid Valve, Hot Gas .....	12-2135-01	1
10	Compressor Assembly - 115/60/1 .....	18-4200-01	1
	Compressor Assembly - 208-230/60/1 .....	18-4200-02	1
	Compressor Overload - 115/60/1 .....	18-4200-40	1
	Compressor Overload - 208-230/60/1 .....	18-4200-41	1
11	Screw, No. 5/16 x 18 Hex Machine .....	03-1405-20	1
12	Washer .....	03-1407-07	4
13	Sleeve .....	18-2300-26	4
14	Grommet, Mounting .....	18-2300-27	4
15	Capacitor, Run - 115/60/1 .....	18-1902-45	1
	Capacitor, Run - 208-230/60/1 .....	18-1902-29	1
16	Capacitor, Start - 115/60/1 .....	18-1901-09	1
	Capacitor, Start - 208-230/60/1 .....	18-1901-15	1
17	Relay - 115/60/1 .....	18-1903-33	1
	Relay - 208-230/60/1 .....	18-1903-29	1
18	Drain Tube Assembly .....	<i>No Number</i>	1
19	Condenser, Water-Cooled .....	18-3306-02	1
20	Water Regulator Bracket .....	A15924-000	1
21	Water Regulator Valve .....	11-0198-02	1
22	Accumulator Suction Line Assembly .....	A28803-020	1

HC400  
PARTS ILLUSTRATIONS AND PARTS LISTS



## HC400

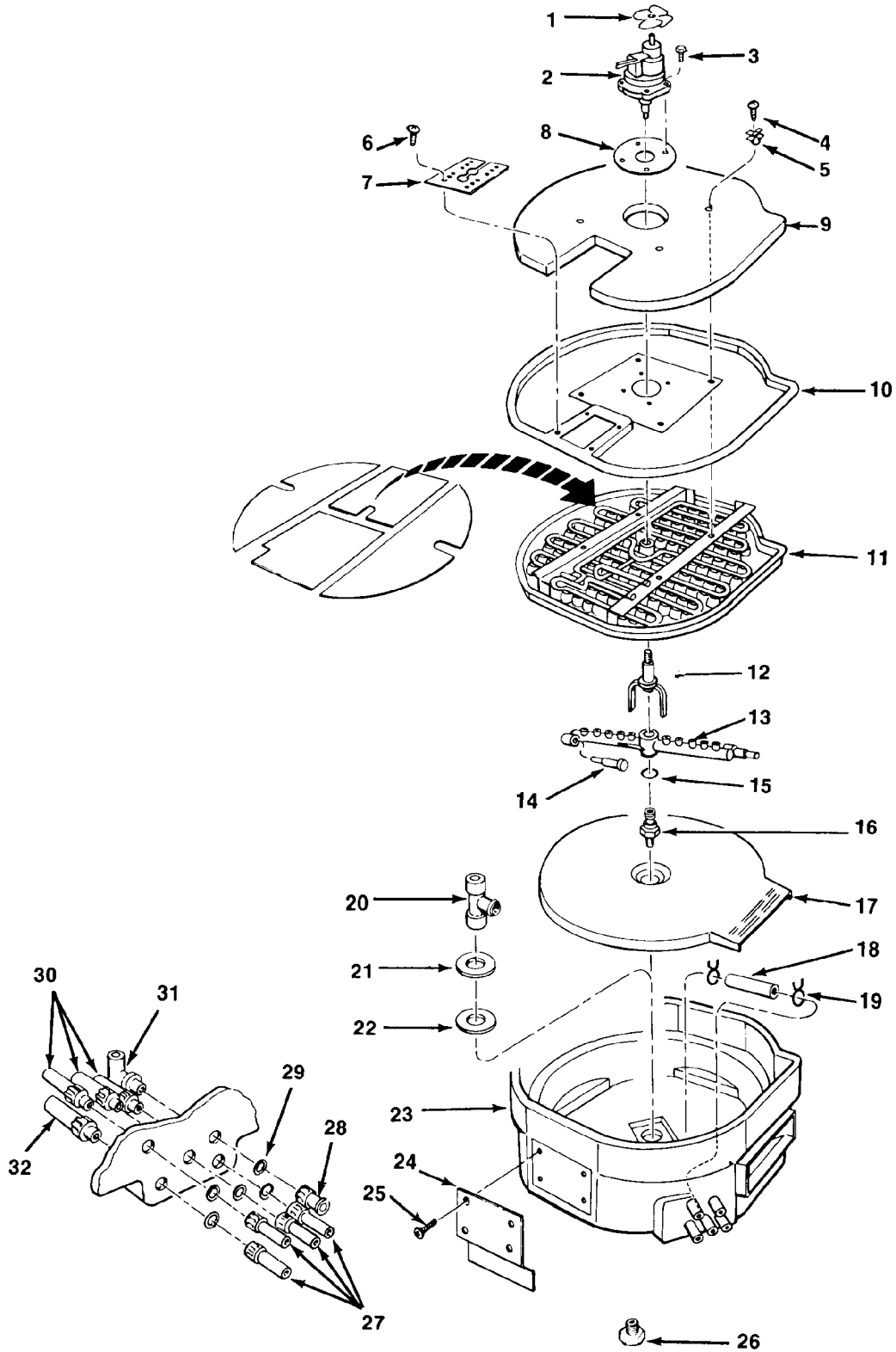
### PARTS ILLUSTRATIONS AND PARTS LISTS

#### HC400 FREEZER ASSEMBLY PARTS LISTING

1	Blade, Fan - Drivemotor .....	12-0675-25	1
2	Drivemotor Assembly, Agitator .....	A24656-001	1
3	Screw, No. 6 x 1 T/F Top .....	03-1404-28	4
4	Screw, No. 8 x 1/2 Stainless Steel .....	03-1404-10	4
5	Washer, Centering .....	A24830-001	4
6	Plug, Hole .....	02-2065-02	4
7	Spacer, Tube .....	02-2129-01	1
8	Gasket - Agitator Drivemotor Assembly .....	13-0176-00	1
9	Cover, Insulation .....	02-2124-01	1
10	Cover, Freezing Chamber .....	A24803-001	1
11	Platen Assembly, Cup (Small cubes) .....	A27218-002	1
	Platen Assembly, Cup (Medium cubes) .....	A27217-002	1
	Platen Assembly, Cup (Large cubes) .....	A24129-002	1
12	Fork, Drive (Left-hand thread) .....	02-2369-02	1
13	Bar Assembly, Spray (w/rubber tips) .....	A25480-001	1
14	Rubber - Spray Bar Ends .....	13-0653-00	2
15	O-Ring .....	13-0617-25	1
16	Bearing, Spray Bar .....	02-2120-01	1
17	Bottom, Inner .....	02-2028-01	1
18	Tube, Tygon (8-inch lg.)(Order by the foot) .....	13-0674-07	1
19	Clamp, Hose .....	02-1358-01	2
20	Housing, Inlet .....	02-2121-01	1
21	Plate, Support - Spray Bar .....	A23827-001	1
22	Washer, Rubber .....	A23827-001	1
23	Sump, Freezing Chamber .....	03-1409-01	1
24	Mount, Front .....	A24498-001	1
25	Screw, No. 10 x 5/8 cap .....	03-1404-18	4
26	Plug, Bottom .....	02-2122-01	1
27	Tube, Female .....	02-2081-01	4
28	Tube, Female (cut-off) .....	02-2606-01	1
29	O-Ring .....	13-0617-02	5
30	Tube, Male .....	02-2080-01	3
31	Pipe, Stand .....	02-2125-01	1
32	Tube, Pick-Up-Pump .....	02-2082-01	1

# HC400

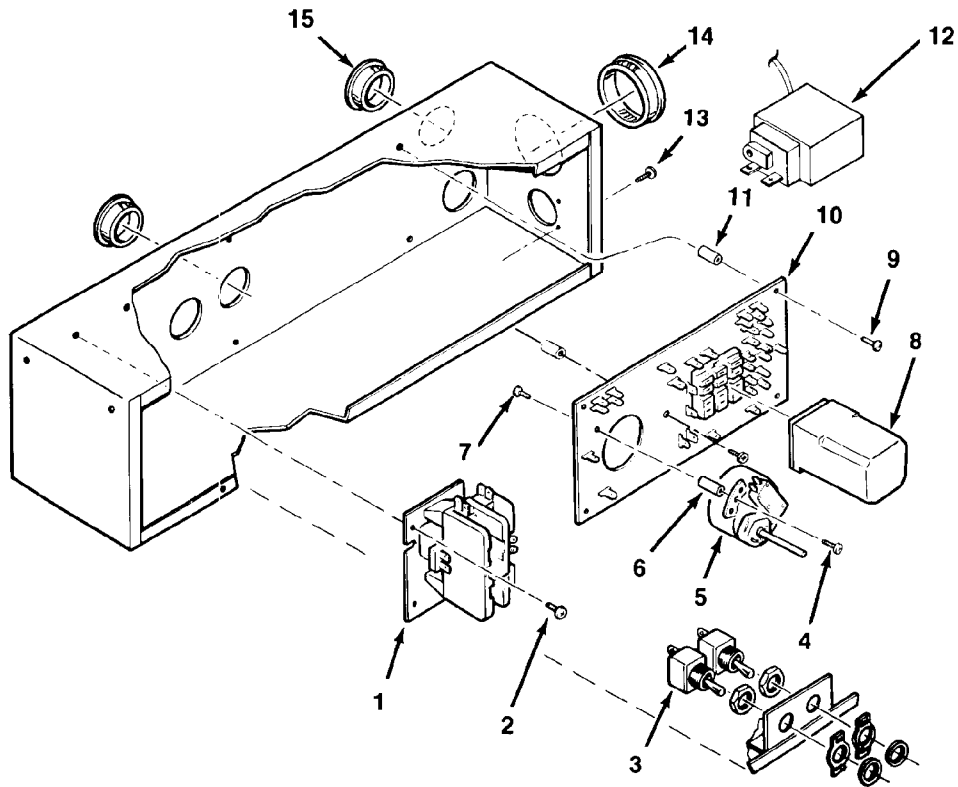
## PARTS ILLUSTRATIONS AND PARTS LISTS





# HC400

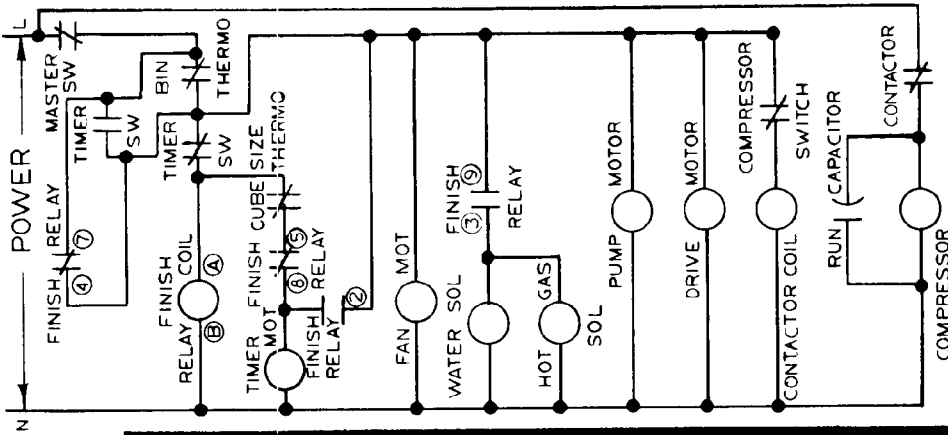
## PARTS ILLUSTRATIONS AND PARTS LISTS



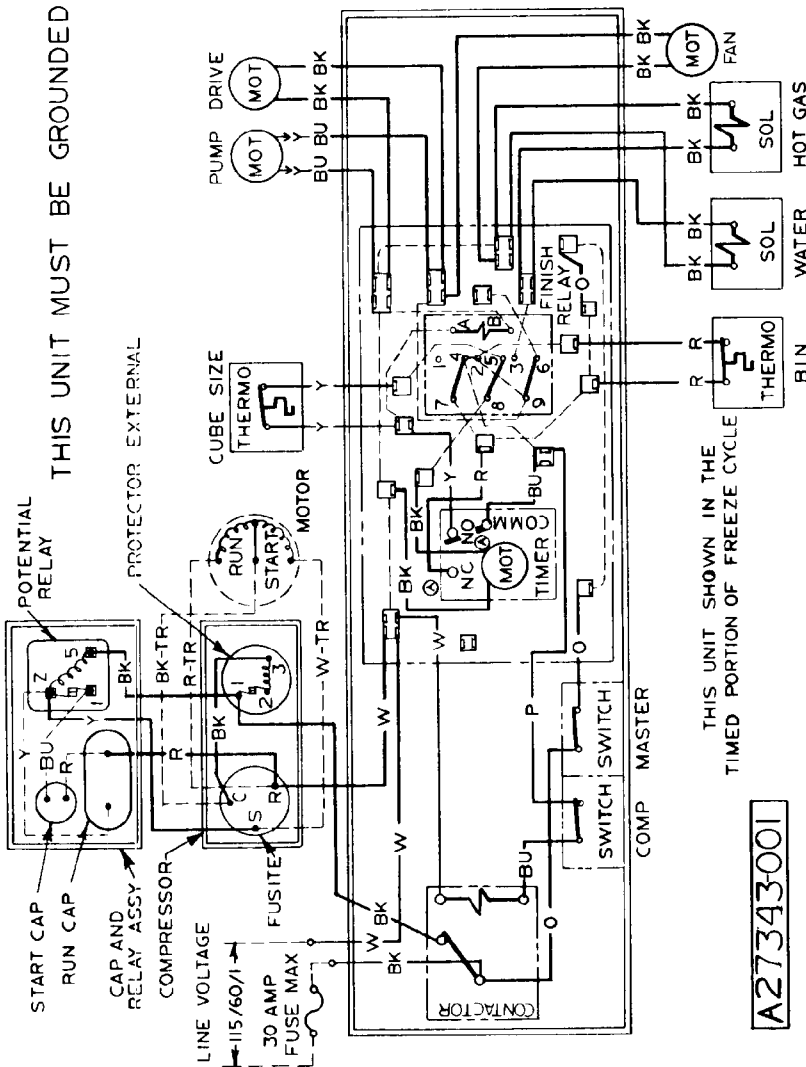
### HC400 CONTROL BOX ASSEMBLY PARTS LISTING

1	Contactors - 115/60/1 .....	12-2041-01	1
	Contactors - 208-230/60/1 .....	12-2037-01	1
2	Screw, No. 8-32 x 3/8 .....	03-1403-17	3
3	Switch .....	12-0426-01	2
4	Screw, No. 6-32 x 1/4 Phil Recess Pan Hd. ....	03-1403-02	2
5	Timer and Switch Assembly .....	12-1980-01	1
6	Stand-Off, 7/8-long .....	02-2242-01	2
7	Screw, No. 6-32 x 1/4 Phil Recess Pan Hd. ....	03-1403-02	2
8	Relay - 115/60/1 .....	12-1879-02	1
	Relay - 208-230/60/1 .....	12-1879-02	1
9	Screw, No. 6-32 x 1/4 Phil Recess Pan Hd. ....	03-1403-02	5
10	Circuit Board .....	12-1912-01	1
11	Stand-Off, 5/8 inch .....	02-2242-02	5
12	Control, Hi Pressure (Water-Cooled) .....	11-0388-02	1
13	Screw, No. 6-32 x 1/4 Phil Recess Pan Hd. ....	03-1403-04	2
14	Bushing, Snap .....	12-1213-13	1
15	Bushing, Snap .....	12-1213-10	3

# HC400 WIRING DIAGRAMS



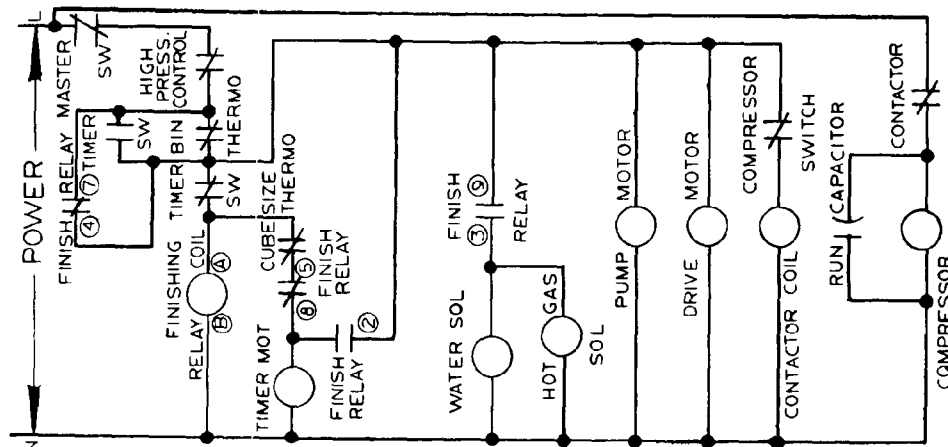
**CAUTION:** MORE THAN ONE DISCONNECT MEANS MAY BE REQUIRED TO DISCONNECT ALL POWER TO THIS UNIT



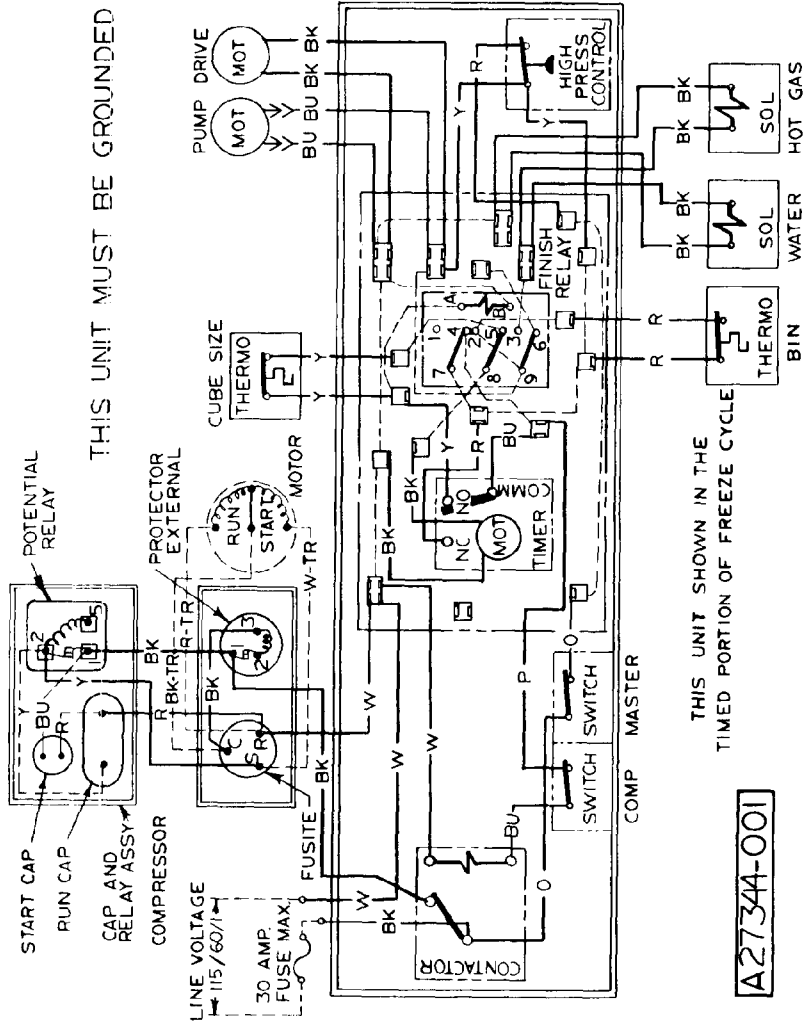
A27343001

Air-Cooled 115/60/1

# HC400 WIRING DIAGRAMS

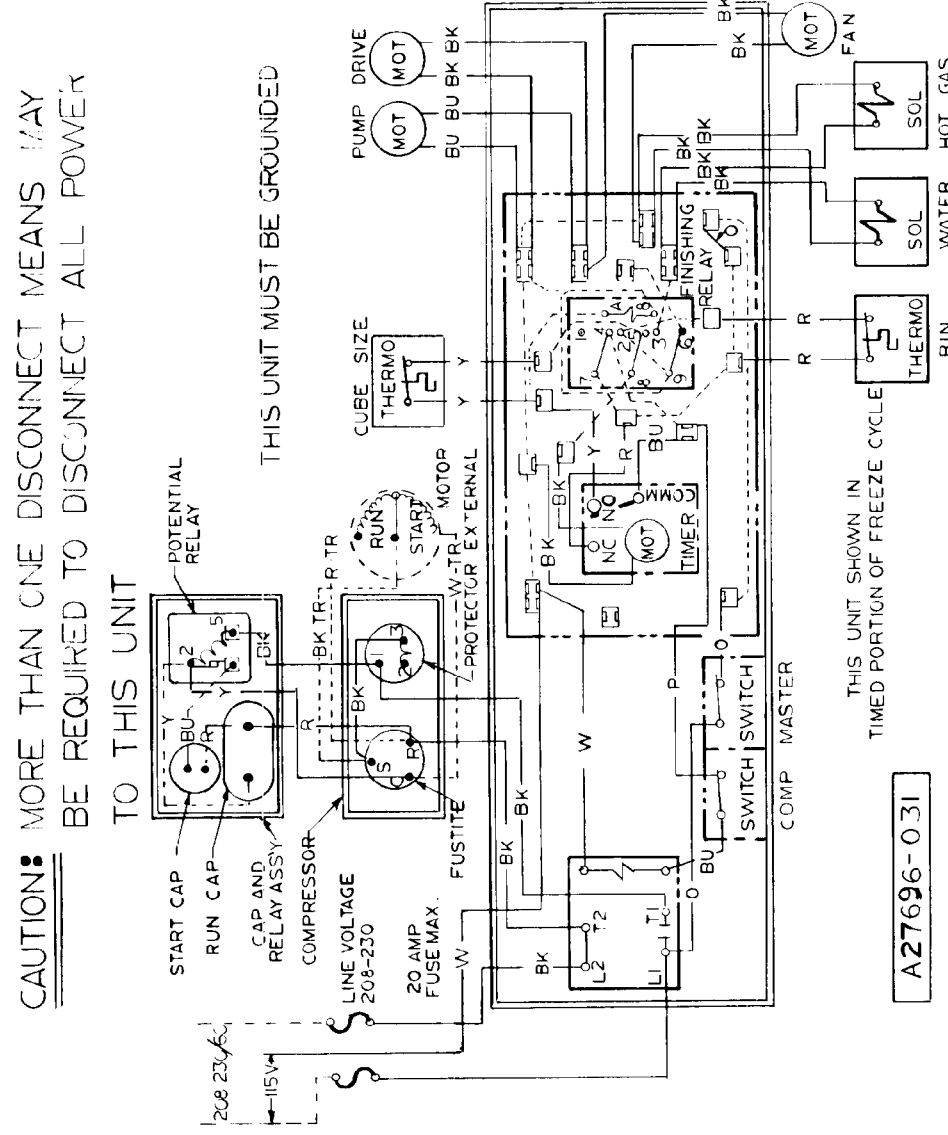
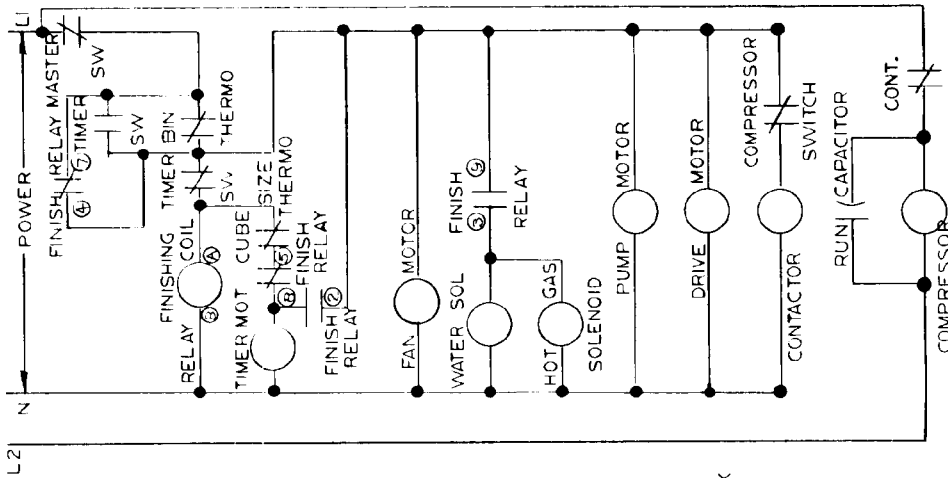


**CAUTION:** MORE THAN ONE DISCONNECT MEANS MAY BE REQUIRED TO DISCONNECT ALL POWER TO THIS UNIT



Water-Cooled 115/60/1

# HC400 WIRING DIAGRAMS



**CAUTION:** MORE THAN ONE DISCONNECT MEANS MAY BE REQUIRED TO DISCONNECT ALL POWER TO THIS UNIT

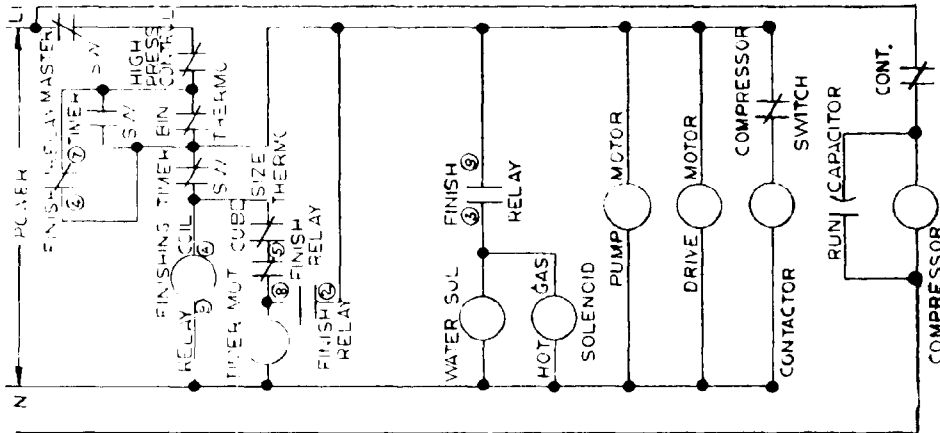
THIS UNIT MUST BE GROUNDED

THIS UNIT SHOWN IN TIMED PORTION OF FREEZE CYCLE

A27696-031

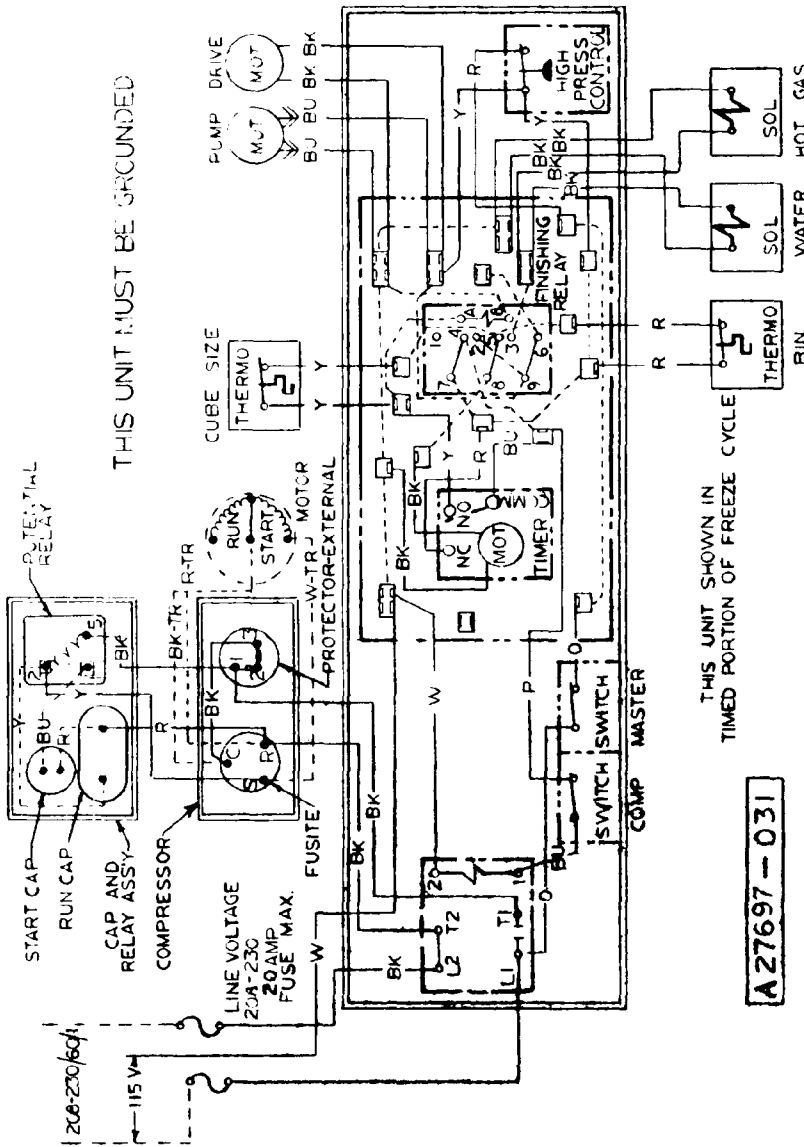
Air-Cooled 115/208-230/60/1

HC400  
WIRING DIAGRAMS



L2

**CAUTION:** MORE THAN ONE DISCONNECT MEANS MAY BE REQUIRED TO DISCONNECT ALL POWER TO THIS UNIT.



THIS UNIT MUST BE GROUNDING

THIS UNIT SHOWN IN TIMED PORTION OF FREEZE CYCLE

A27697-031

Water-Cooled 115/208-230/60/1