

# **MF700 Parts List**

## **Table of Contents**

**Cabinet**

**Major Assemblies**

**Compressor**

**Spout**

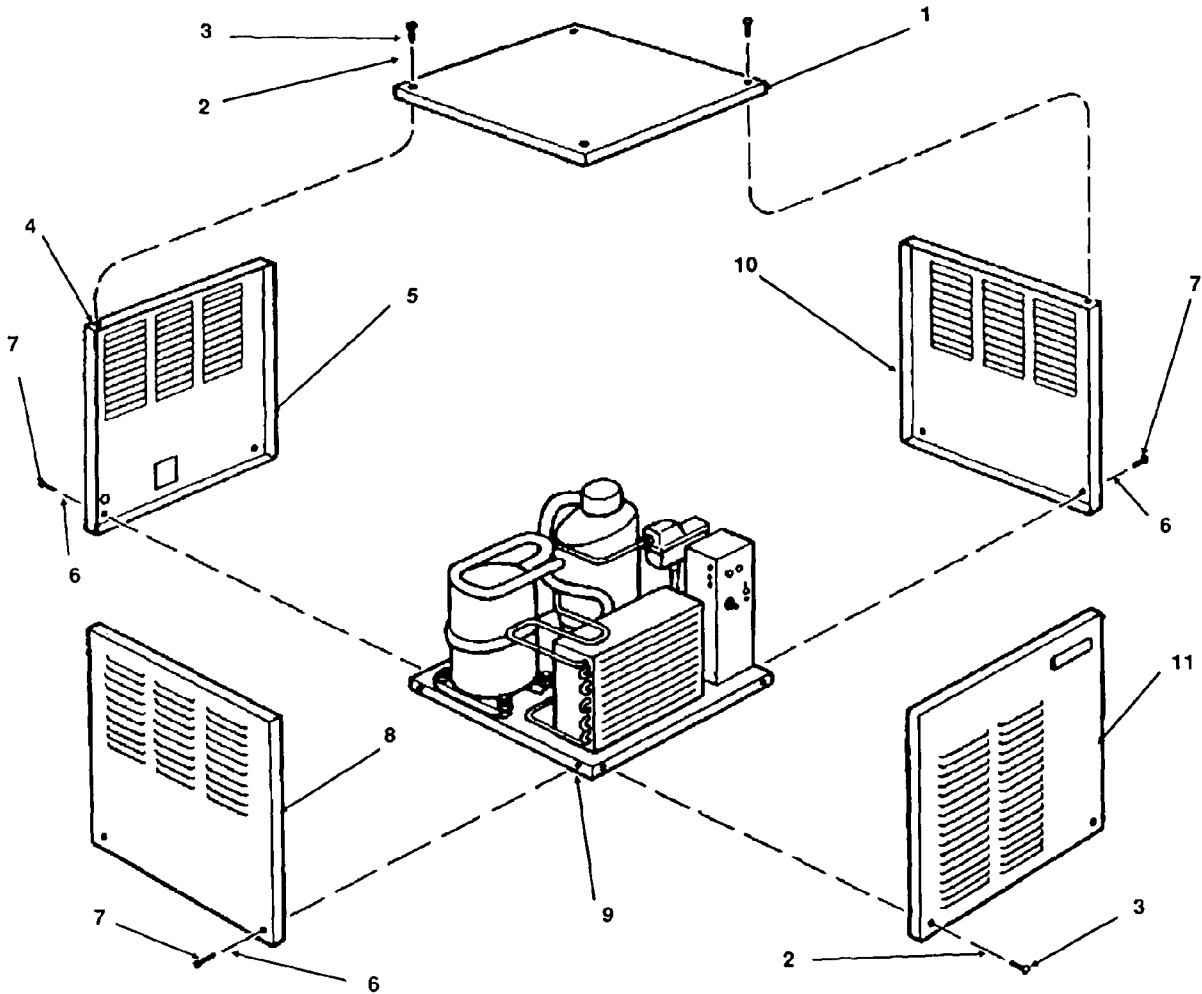
**Evaporator**

**Gear motor**

**Control Box**

**Wiring Diagrams**

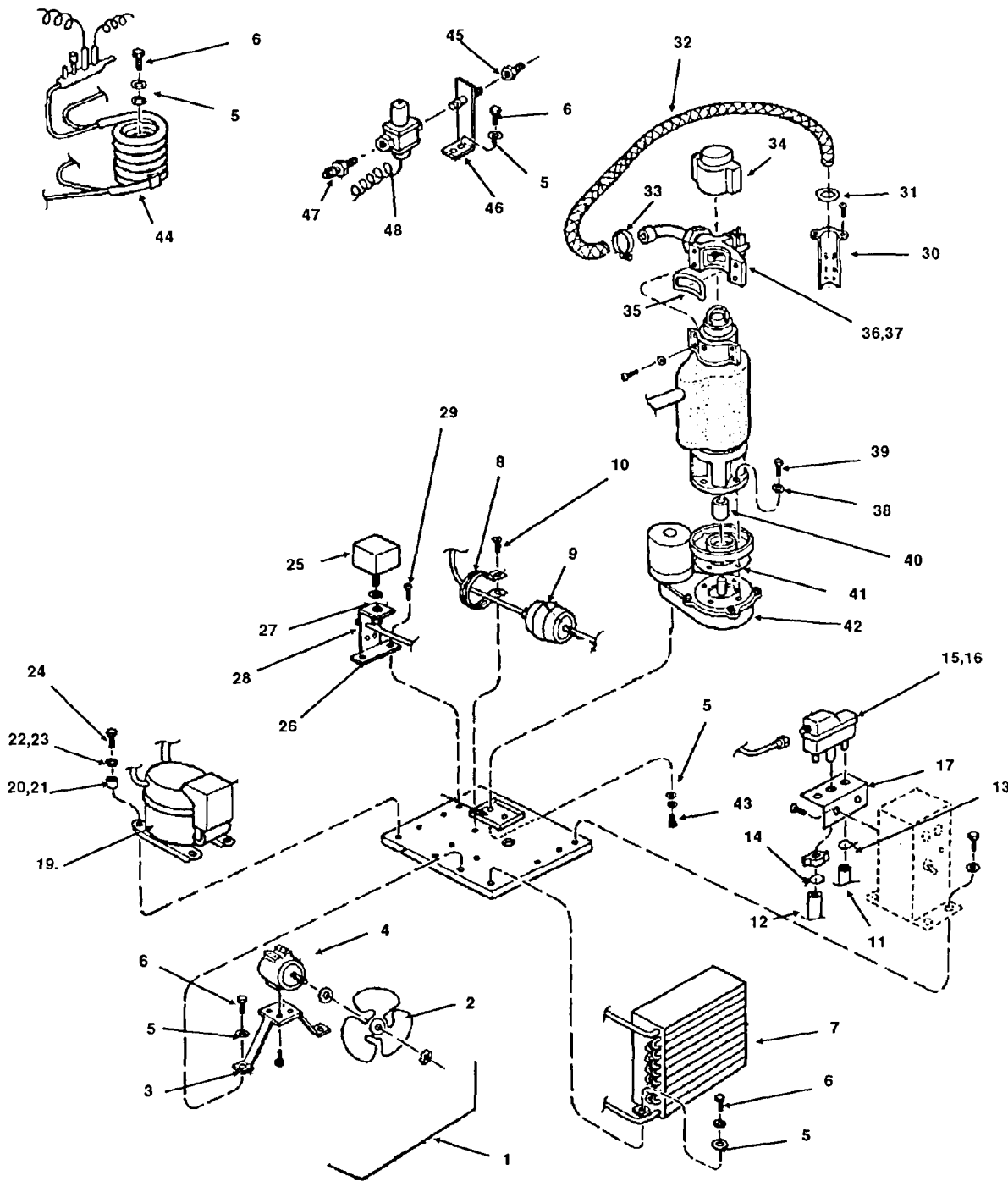
# MF700 SERVICE PARTS PANELS



ITEM NUMBER	PART NUMBER	DESCRIPTION	ITEM NUMBER	PART NUMBER	DESCRIPTION
1.	A26625-004	Top Panel, Painted	8.	A26623-004	L.Side Panel, Paint
	A26625-002	Top Panel, Stainless		A26623-002	L. Side Panel, S.S.
2.	03-1417-15	Lockwasher	9.	03-1507-00	Speed Nut
3.	03-1419-19	Screw	10	A26624-004	Rt Side Pnl, Paint
4.	03-1423-06	Speed Nut		A26624-002	Right Side Pnl,S.S.
5.	A28048-003	Rear Panel, Painted	11.	A26621-004	Front Panel, Painted
	A28048-002	Rear Panel, S. S.		A26621-002	Front Panel, S.s.
6.	03-1417-03	Lockwasher			
7.	03-1404-09	Screw			

# MF700 SERVICE PARTS

## MAJOR ASSEMBLIES

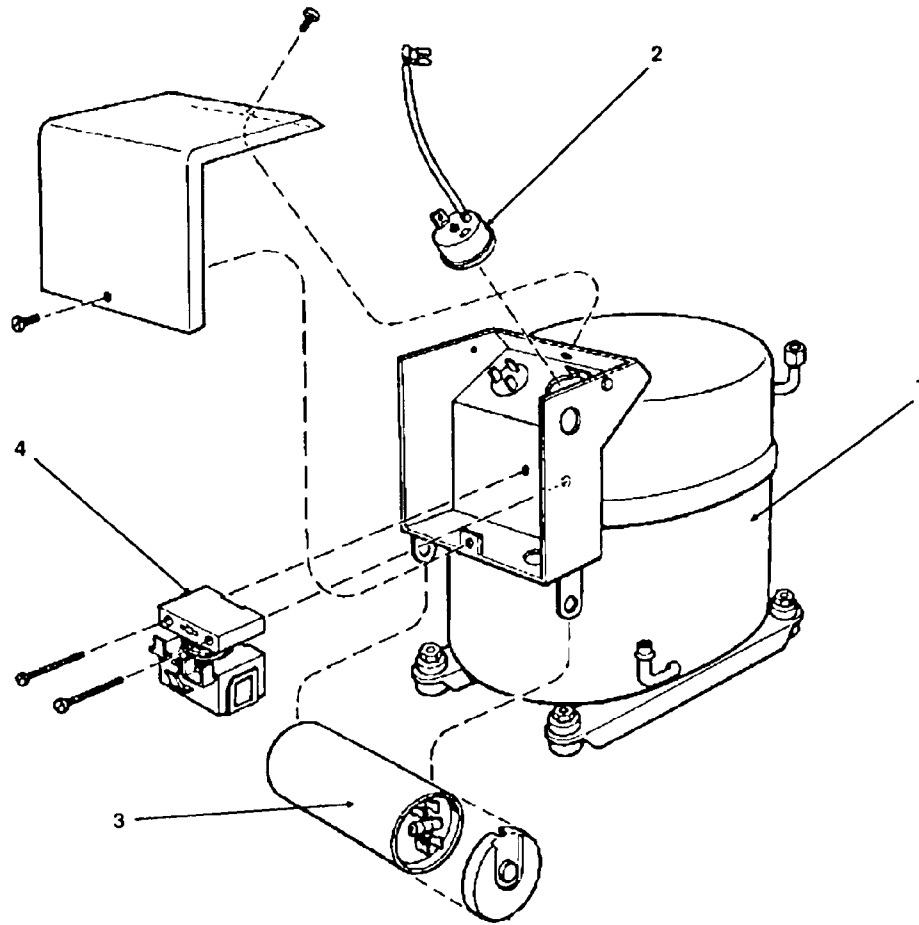


## MF700 SERVICE PARTS

### MAJOR ASSEMBLIES

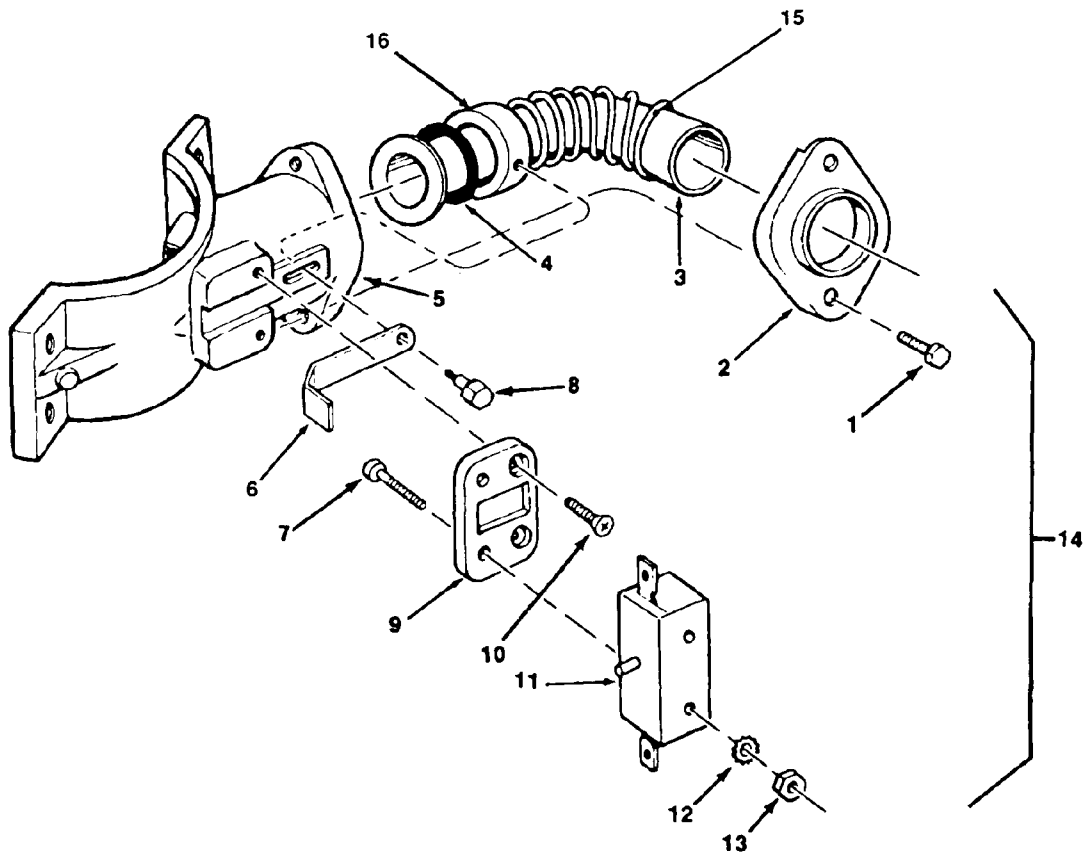
ITEM NUMBER	PART NUMBER	DESCRIPTION
1.	no number	Fan Motor Assembly
2.	18-0625-00	Fan Blade
3.	A25548-001	Fan Bracket
4.	18-0559-01	Fan Motor
5.	03-1417-09	Lockwasher
6.	03-0571-00	Screw
7.	18-0396-01	Air Cooled Condenser
8.	A09388-000	Drier Brace
9.	02-0544-01	Drier
10.	03-1360-01	Screw
11.	13-0079-03	Tube, Res. overflow
12.	13-0674-09	Tube, Res. To Evaporator
13.	02-0535-00	Clamp
14.	03-0694-00	Clamp
15.	02-2217-01	Reservoir, Includes Valve
16.	02-2217-02	Valve In Reservoir Only
17.	A20959-000	Mounting Bracket
18.	03-1572-01	Screw
19.	18-3900-01	Compressor
20.	18-2200-28	Grommet
21.	18-2200-27	Mounting Sleeve
22.	03-1417-12	Lockwasher
23.	03-1408-24	Special Washer
24.	03-1405-40	Screw
25.	11-0296-00	Water Pressure Switch
26.	A27993-001	Bracket
27.	13-0617-26	O-ring
28.	03-1394-00	Pal Nut
29.	03-1360-01	Screw
30.	A30487-001	Bin Thermo. Bracket
31.	13-0806-01	Sealing Pad
32.	A26537-004	Ice Tube
33.	02-0179-02	Hose Clamp
34.	13-0809-01	Freezer Cap
35.	02-1437-00	Spout Gasket
36.	03-1417-07	Washer
37.	03-1544-03	Screw
38.	03-1417-12	Lockwasher
39.	03-1420-04	Screw
40.	15-0573-01	Coupling
41.	13-0704-00	Gasket
42.	A32402-021	Gearmotor Assembly
43.	03-1405-03	Screw
44.	18-3305-02	Water Cooled Condenser
45.	16-0677-01	Half Union

# MF700 SERVICE PARTS COMPRESSOR



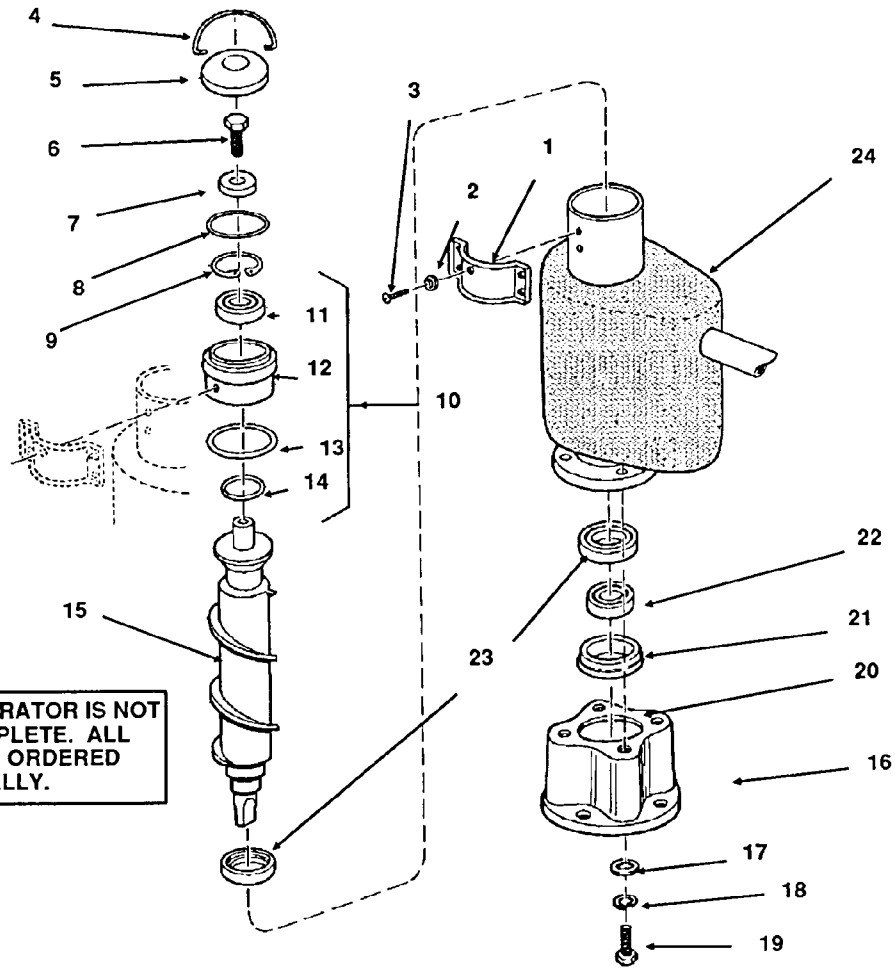
ITEM NUMBER	PART NUMBER	DESCRIPTION
1.	18-3900-01	Compressor, Includes Items 2, 3, & 4.
2.	18-2400-25	Overload
3.	18-2420-00	Capacitor
4.	18-2410-00	Relay

# MF700 SERVICE PARTS SPOUT



ITEM NUMBER	PART NUMBER	DESCRIPTION
1.	03-1405-02	Screw
2.	A29041-001	Retainer Plate
3.	02-2490-01	Discharge Tube
4.	13-0617-43	O-ring
5.	A29050-001	Spout Casting
6.	A29429-002	Switch Actuator
7.	03-1418-38	Screw
8.	A25305-001	Shoulder Screw
9.	02-2377-01	Thermal Barrier
10.	03-1418-01	Screw
11.	12-1644-00	Switch
12.	03-1417-01	Lockwasher
13.	03-1406-01	Nut
14.	A29430-020	Spout Assembly
15.	02-2145-04	Spring
16.	A29098-001	Collar

# MF700 SERVICE PARTS EVAPORATOR



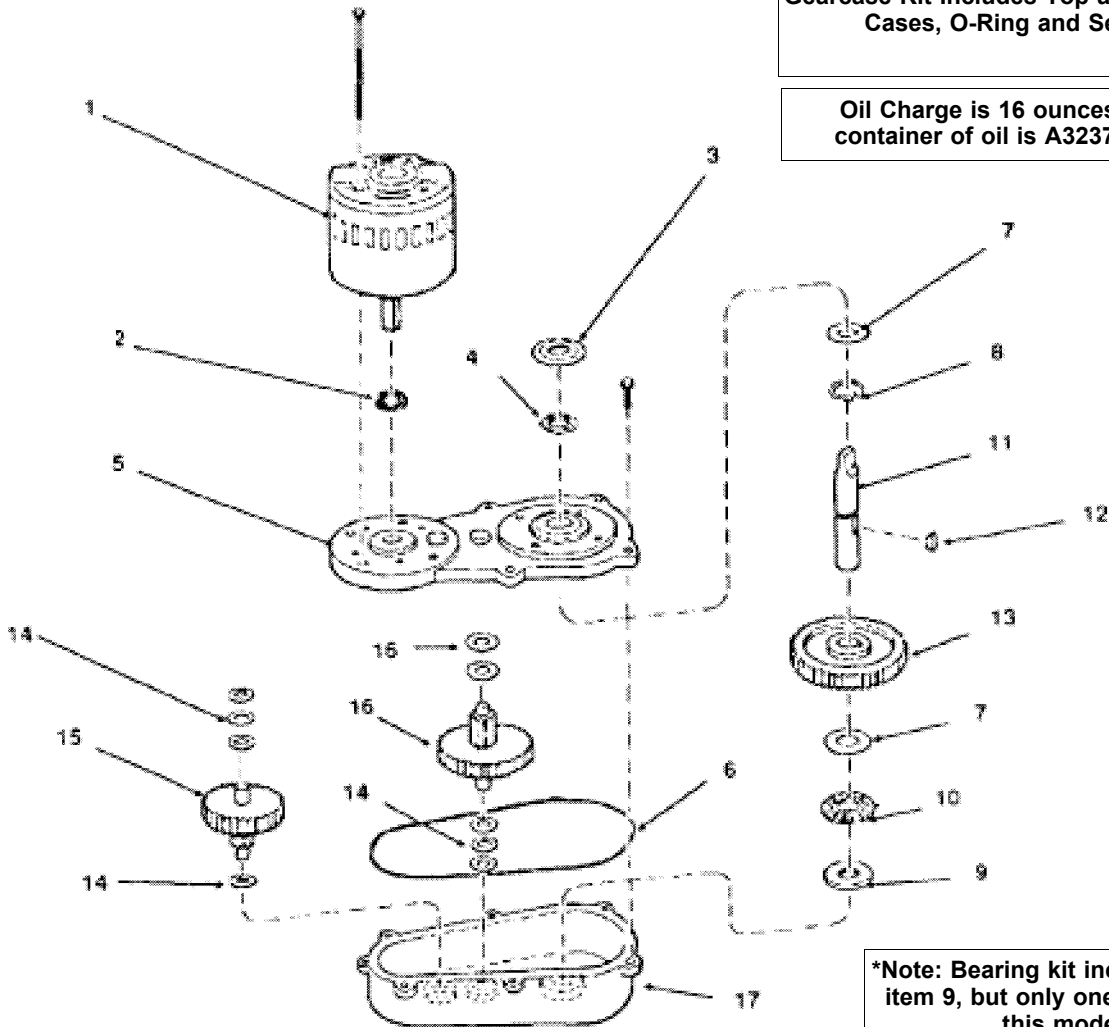
\*NOTE: THE EVPAORATOR IS NOT AVAILABLE COMPLETE. ALL PARTS MUST BE ORDERED INDIVIDUALLY.

ITEM NUMBER	PART NUMBER	DESCRIPTION	ITEM NUMBER	PART NUMBER	DESCRIPTION
1.	A24928-001	Spout Plate	13.	13-0617-15	O-ring
2.	03-1409-20	Washer	14.	13-0617-40	O-ring
3.	03-1506-03	Screw	15.	A29420-001	Auger
4.	A08582-000	Hook	16.	02-1629-00	Adaptor
5.	A08581-000	Cap	17.	03-1408-03	Washer
6.	03-1405-36	Screw	18.	03-1410-04	Lockwasher
7.	A06273-000	Washer	19.	03-1405-41	Screw
8.	13-0617-20	O-ring	20.	13-0704-00	Gasket
9.	03-1558-04	Ring	21.	A10591-000	Retainer
10.	A26708-001	Bearing Retainer, Includes 11-14	22.	02-0619-00	Lower Bearing
11.	02-0646-00	Top Bearing	23.	02-0929-01	Water Seal
12.	No Number	Retainer	24.	A29343-020	Evaporator*

# MF700 SERVICE PARTS GEARMOTOR

Gearcase Kit Includes Top and Bottom Cases, O-Ring and Seals

Oil Charge is 16 ounces. One container of oil is A32379-027.



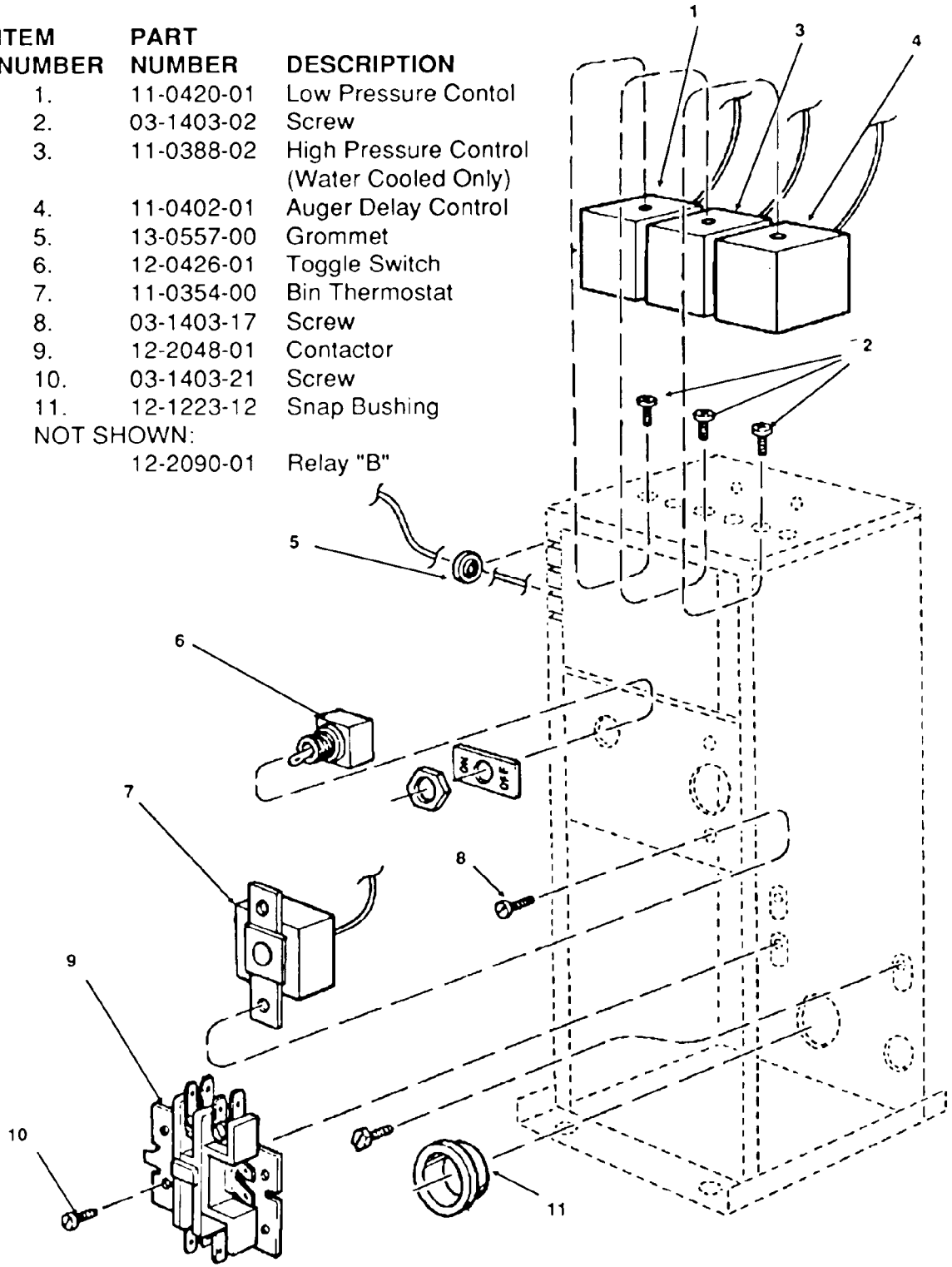
\*Note: Bearing kit includes two of item 9, but only one is used for this model.

ITEM NUMBER	PART NUMBER	DESCRIPTION	ITEM NUMBER	PART NUMBER	DESCRIPTION
1	A32425-001	Drive motor, 115v	11	02-1652-00	Output shaft
2	02-2853-01	Oil seal	12	03-1364-00	Woodruff key
3	13-0709-02	Water shed	13	02-1653-00	Output gear
4	02-1607-00	Oil seal	14	03-1408-24	Washer
5	A31230-001	Gear case kit (cover and case)	15	02-2072-00	First gear & 2nd pinion
6	A26103-001	O-ring	16	02-2071-00	2nd gear and 3rd pinion
7	02-1681-00	Thrust race	17	A31230-001	Gear case kit
8	03-1393-01	Retaining ring	18	03-1252-01	Screw
9	02-1679-00	Thrust race	19	A32402-021	Complete gear and motor assembly
10	A32368-020	Bearing kit*			



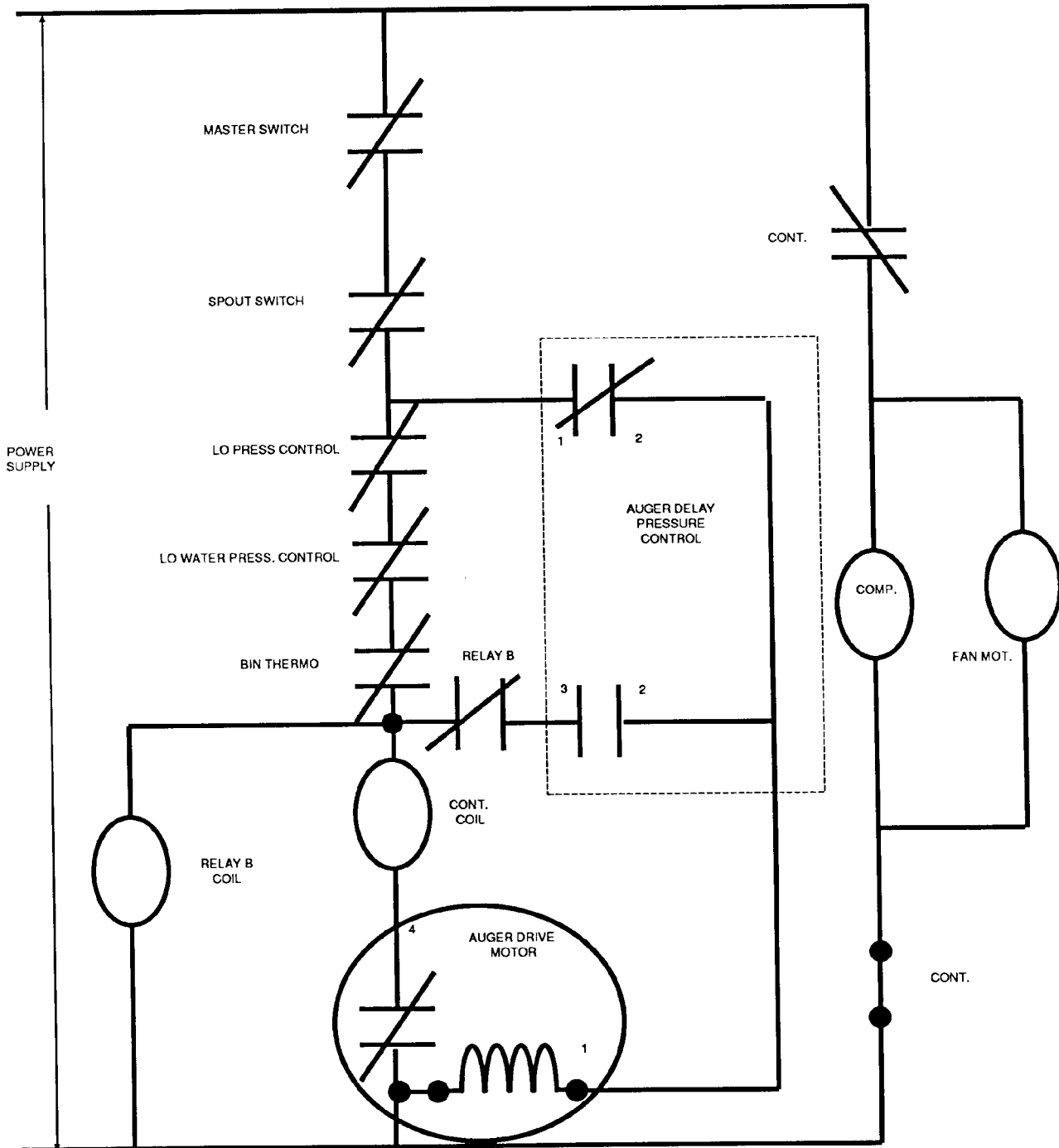
# MF700 SERVICE PARTS CONTROL BOX

ITEM NUMBER	PART NUMBER	DESCRIPTION
1.	11-0420-01	Low Pressure Control
2.	03-1403-02	Screw
3.	11-0388-02	High Pressure Control (Water Cooled Only)
4.	11-0402-01	Auger Delay Control
5.	13-0557-00	Grommet
6.	12-0426-01	Toggle Switch
7.	11-0354-00	Bin Thermostat
8.	03-1403-17	Screw
9.	12-2048-01	Contactor
10.	03-1403-21	Screw
11.	12-1223-12	Snap Bushing
NOT SHOWN:		
	12-2090-01	Relay "B"



# MF700 SCHEMATIC DIAGRAM

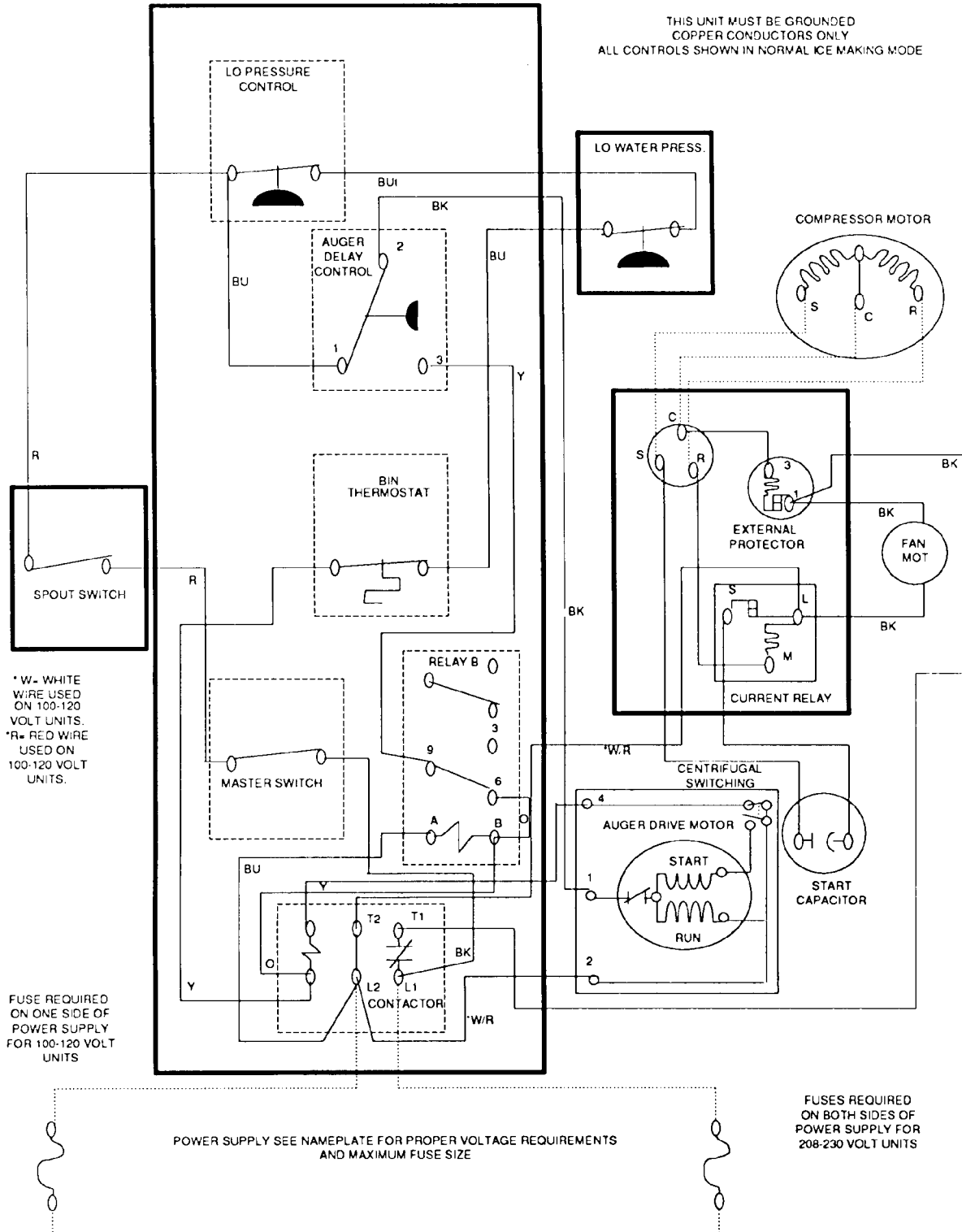
## AIR COOLED



# MF700 COMPONENT LAYOUT WIRING DIAGRAM

## AIR COOLED

THIS UNIT MUST BE GROUNDED  
COPPER CONDUCTORS ONLY  
ALL CONTROLS SHOWN IN NORMAL ICE MAKING MODE



\* W- WHITE WIRE USED ON 100-120 VOLT UNITS.  
\* R- RED WIRE USED ON 100-120 VOLT UNITS.

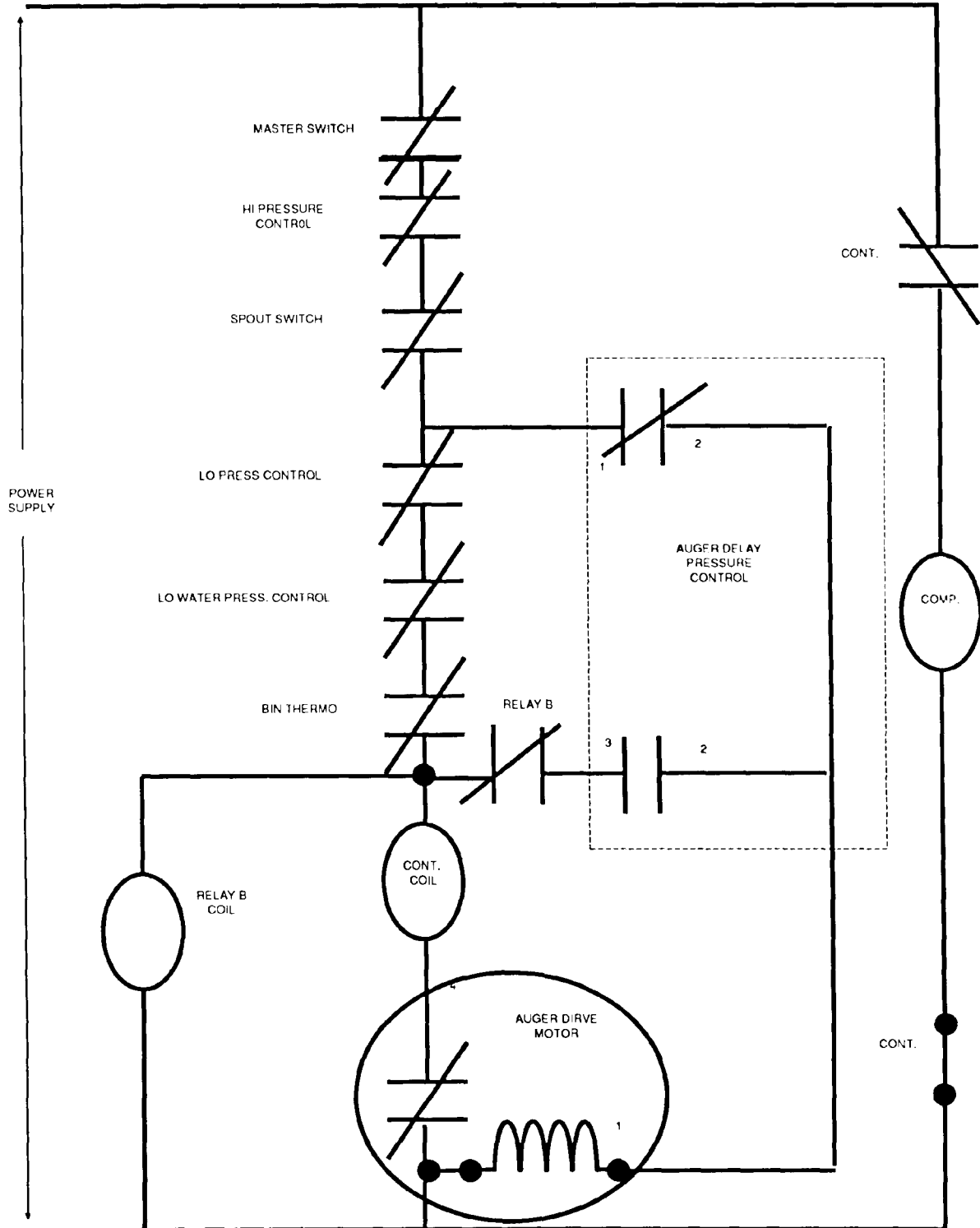
FUSE REQUIRED ON ONE SIDE OF POWER SUPPLY FOR 100-120 VOLT UNITS

POWER SUPPLY SEE NAMEPLATE FOR PROPER VOLTAGE REQUIREMENTS AND MAXIMUM FUSE SIZE

FUSES REQUIRED ON BOTH SIDES OF POWER SUPPLY FOR 208-230 VOLT UNITS

# MF700 SCHEMATIC DIAGRAM

## WATER COOLED



# MF700 COMPONENT LAYOUT WIRING DIAGRAM WATER COOLED

