

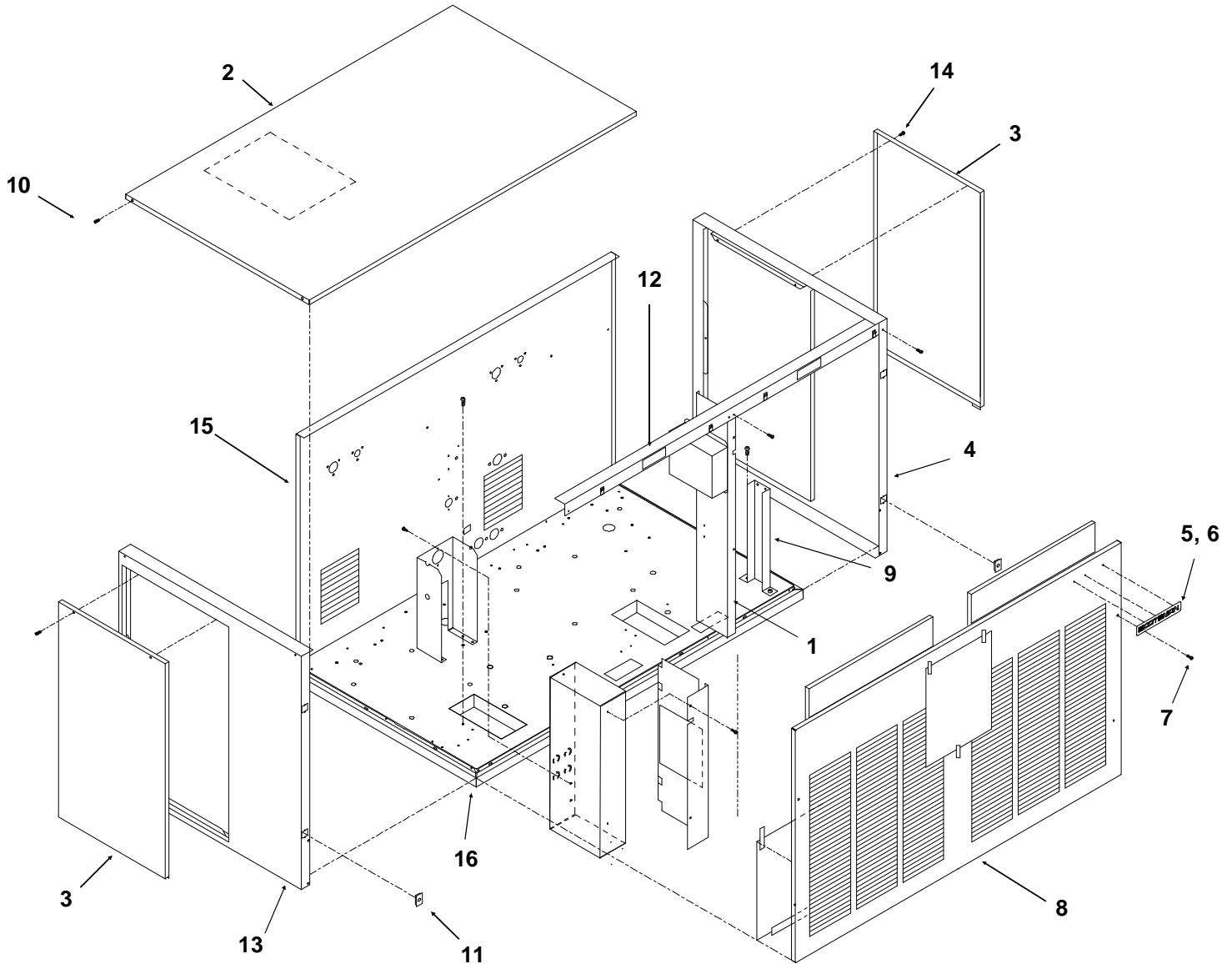
NME1850R & FME2400R SERVICE PARTS

This parts list contains the service parts and wiring diagrams for this model. Check the model number in question to be sure that it is applicable to this parts list.

TABLE OF CONTENTS

Cabinet	2
Refrigeration	3
Water	4
Gearmotor.....	5
NME Evaporator	6
FME Evaporator	7
Control Box.....	8
Remote Condenser	9
Wiring Diagrams	10

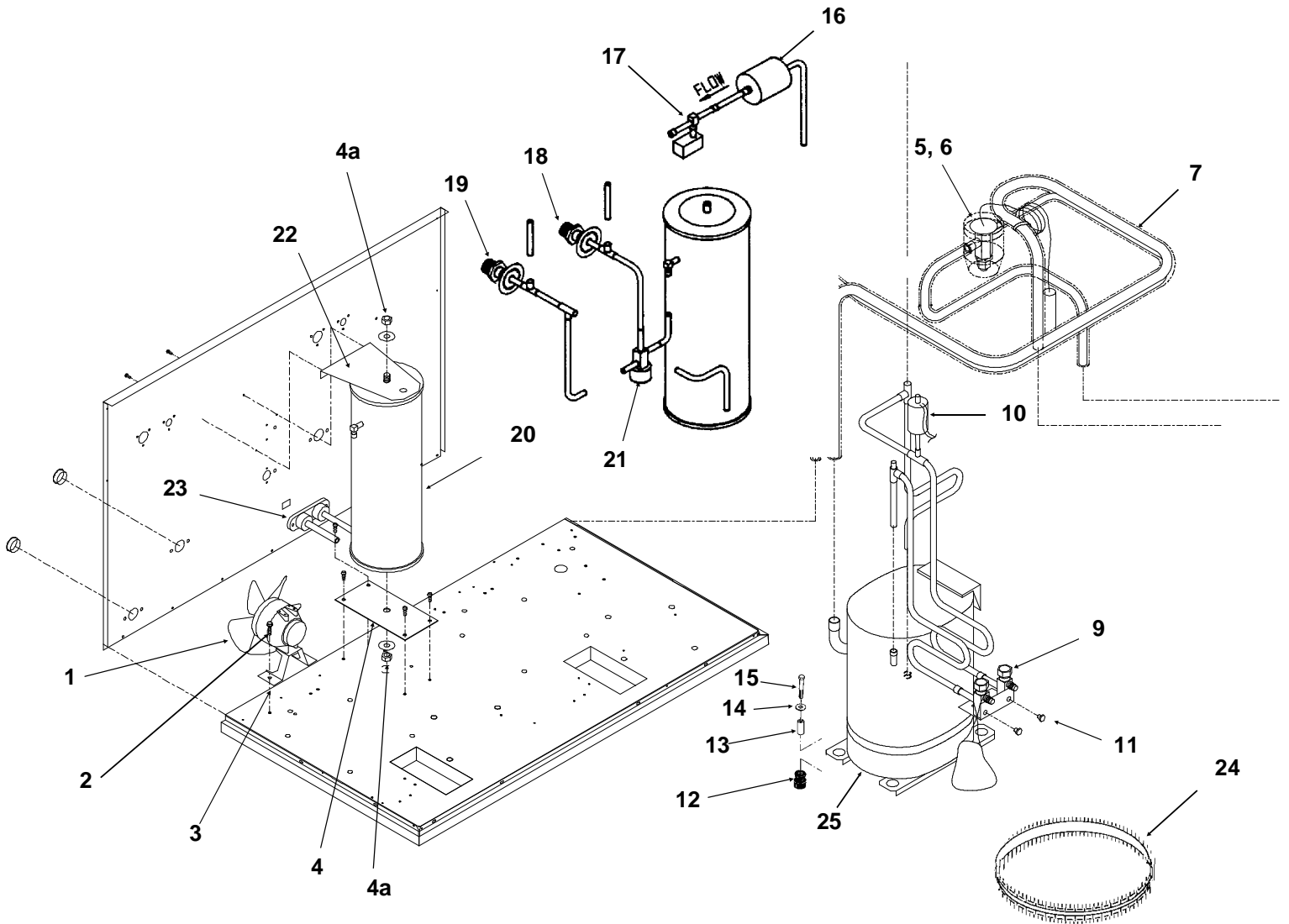
NME1850R & FME2400R SERVICE PARTS



ITEM NUMBER	PART NUMBER	DESCRIPTION	ITEM NUMBER	PART NUMBER	DESCRIPTION
1	A34286-001	Center Support	9	A36078-001	Reservoir bracket
2	A32461-001	Top Panel, Painted	10	03-1531-01	Screw
	A32461-002	Top Panel, S.S.	11	02-0836-00	Catch
3	A34038-001	Service Panel, Painted	12	A34287-001	Support
	A34038-002	Service Panel, S.S.	13	A32435-001	Left Side Panel, Painted
4	A33292-001	Right Side Panel, Painted		A32435-002	Left Side Panel, S.S.
	A33292-002	Right Side Panel, S.S.	14	03-1404-12	Screw
5	03-0271-00	Speed Clip	15	A36517-001	Rear Panel Painted Only
6	15-0711-01	Emblem, sandalwood	16.	A36554-001	Base
	15-0511-02	Emblem, gray			
7	03-1419-22	Screw			
8	A34294-001	Front Panel, Painted			
	A34294-002	Front Panel, S.S.			

NME1850R & FME2400R SERVICE PARTS

Refrigeration System

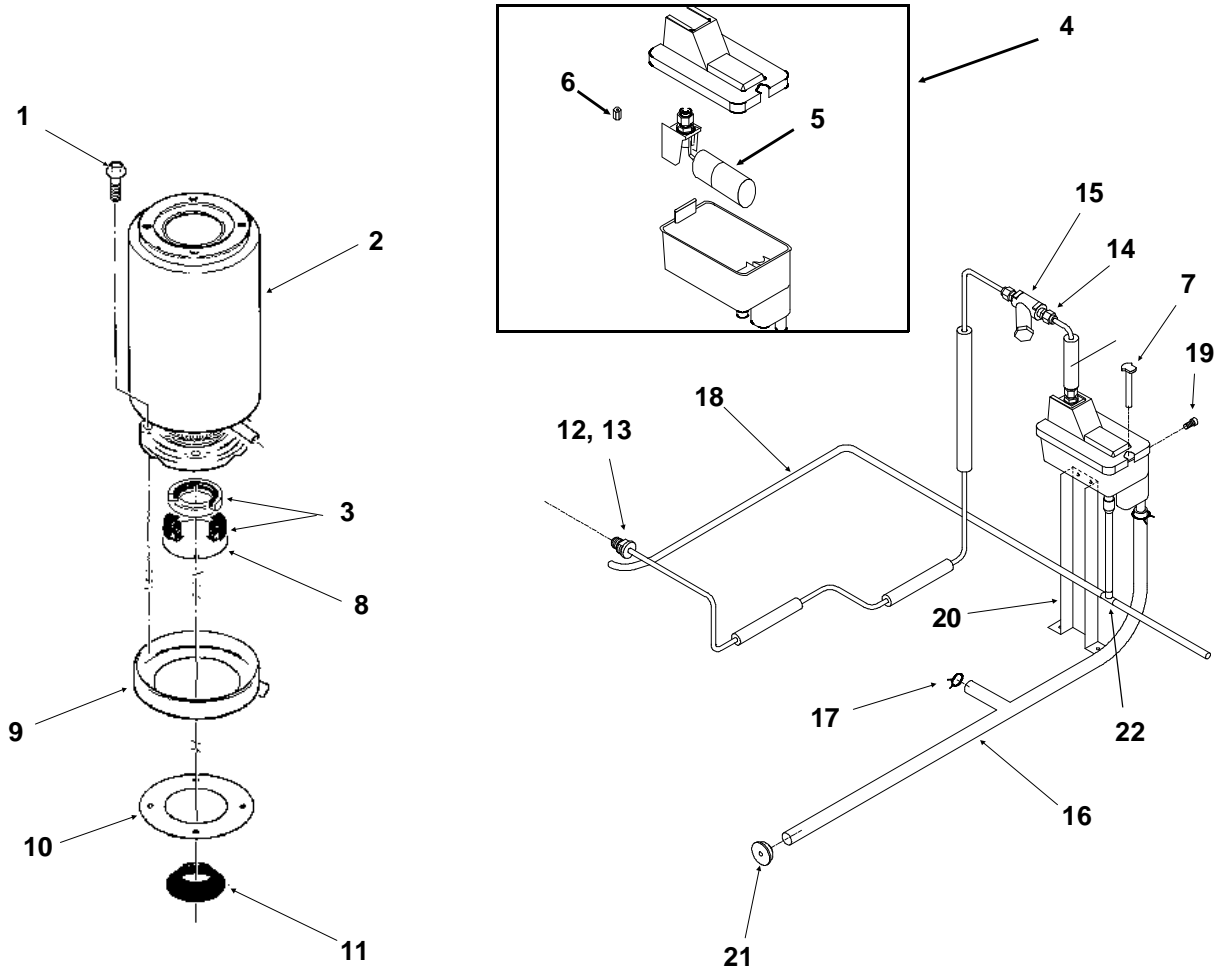


ITEM NUMBER	PART NUMBER	DESCRIPTION	ITEM NUMBER	PART NUMBER	DESCRIPTION
1	18-8708-01	Fan Blade	14	03-1407-07	Washer
2	12-1576-02	Fan Motor	15	03-1405-20	Cap Screw
3	A35246-001	Fan Bracket	16	02-3319-02	Dryer
4	A31801-002	Bracket	17	12-2135-22	Liquid line valve
4a	03-1406-13	Nut	18	16-0850-01	Liquid line fitting
5	A32961-020	Insulation Kit (3 piece)	19	16-0850-03	Discharge line fitting
6	11-0488-21	Thermo Expansion Valve	20	16-0761-01	Receiver
7	A36496-001	Suction Line	21	11-0422-25	Discharge pressure control
8	A34285-001	Filler panel	22	A32968-001	Receiver bracket
9	16-0832-20	Access valve	23	A32282-004	Drain fitting
9a	16-0832-02	Stem cap	24	12-1868-03	Crankcase heater
9b	16-0832-03	Core cap	25	18-8768-22	Compressor 208-230/60/1
10	11-0485-21	Hi Pressure Cut Out		18-8768-21	Overload for single phase
11	03-1645-01	Screw		18-8768-24	Compressor 200-230/60/3
12	18-2200-28	Grommet		18-8768-23	Overload for 3 phase
13	18-2200-27	Sleeve			

Note: Replacement compressors include a new HFC dryer.

NME1850R & FME2400R SERVICE PARTS

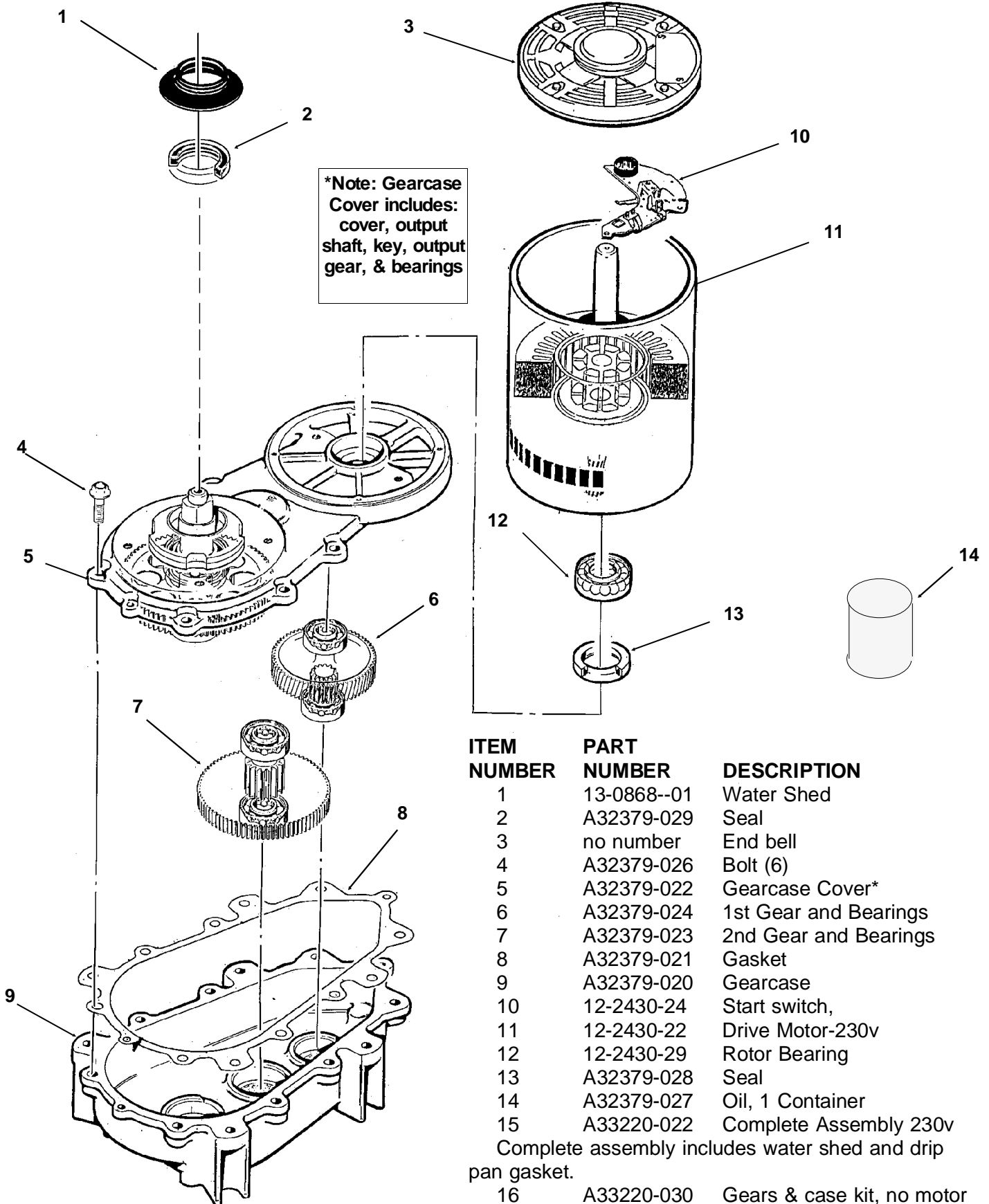
Water System, Water Seal



ITEM NUMBER	PART NUMBER	DESCRIPTION	ITEM NUMBER	PART NUMBER	DESCRIPTION
1	03-1420-03	Cap Screw	15	16-0162-00	Strainer
2	A32890-020	Evaporator	16	A36154-001	Evap. water inlet tube
3	02-0929-23	Water Seal	17	02-1338-00	Hose clamp
4	02-3266-20	Reservoir & valve	18	13-0079-03	Res. overflow hose
5	02-3266-21	Float valve	19	03-1639-03	Screw
6	02-3266-22	Plunger/seat	20	A36078-002	Reservoir bracket
7	A33101-022	Water Level Sensor	21	13-0840-01	Rubber cap
8	A32777-021	Retaining Ring for Seal	22	16-0670-02	Tee
9	A32050-001	Drip Pan			
10	13-0704-00	Gasket			
11	13-0868-01	Water Shed			
12	A27318-001	Water Inlet Fitting			
13	03-1394-01	Pal Nut			
14	16-0791-01	Coupling union			

NME1850R & FME2400R SERVICE PARTS

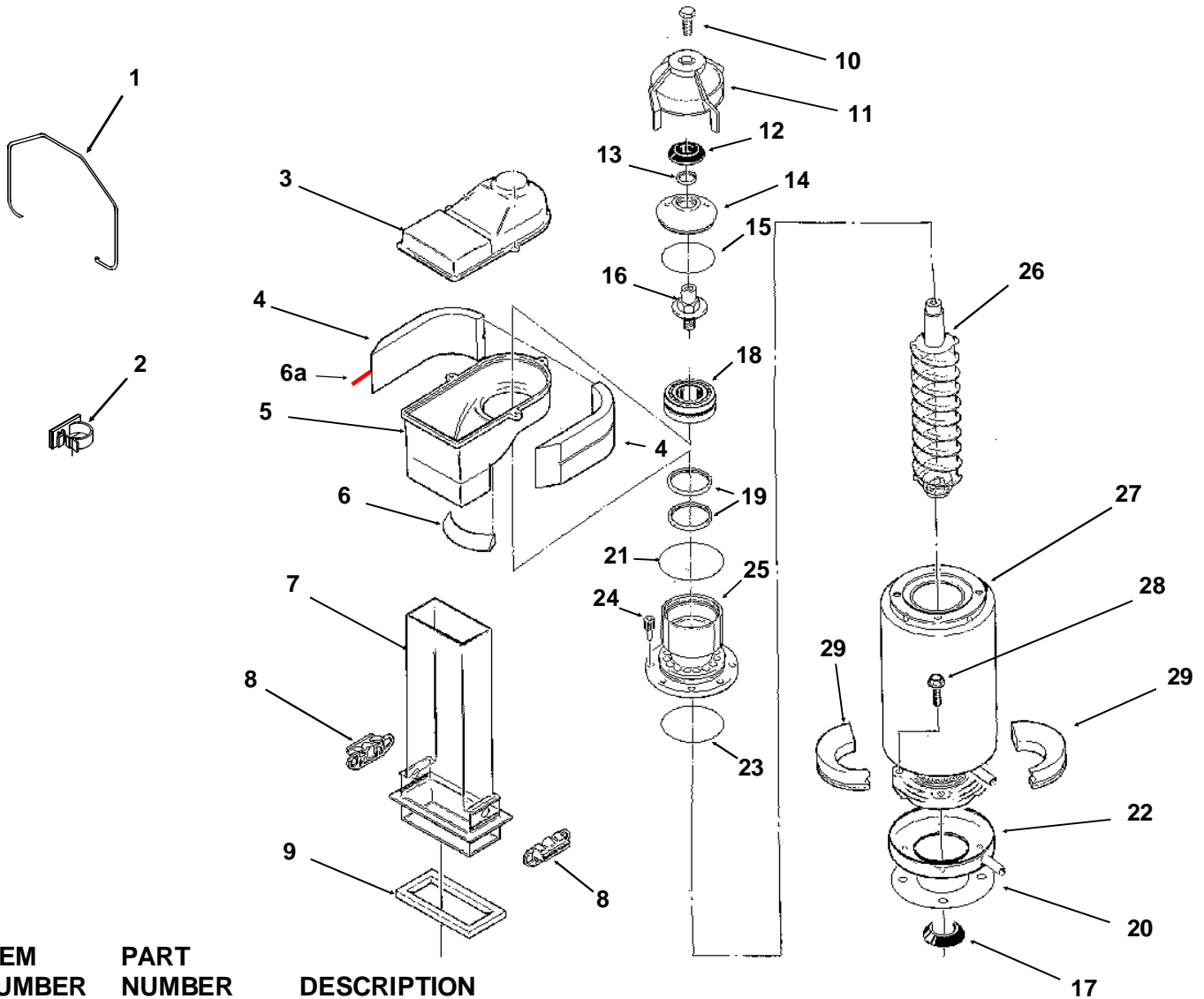
Gearmotor



ITEM NUMBER	PART NUMBER	DESCRIPTION
1	13-0868--01	Water Shed
2	A32379-029	Seal
3	no number	End bell
4	A32379-026	Bolt (6)
5	A32379-022	Gearcase Cover*
6	A32379-024	1st Gear and Bearings
7	A32379-023	2nd Gear and Bearings
8	A32379-021	Gasket
9	A32379-020	Gearcase
10	12-2430-24	Start switch,
11	12-2430-22	Drive Motor-230v
12	12-2430-29	Rotor Bearing
13	A32379-028	Seal
14	A32379-027	Oil, 1 Container
15	A33220-022	Complete Assembly 230v
Complete assembly includes water shed and drip pan gasket.		
16	A33220-030	Gears & case kit, no motor

NME1850R & FME2400R SERVICE PARTS

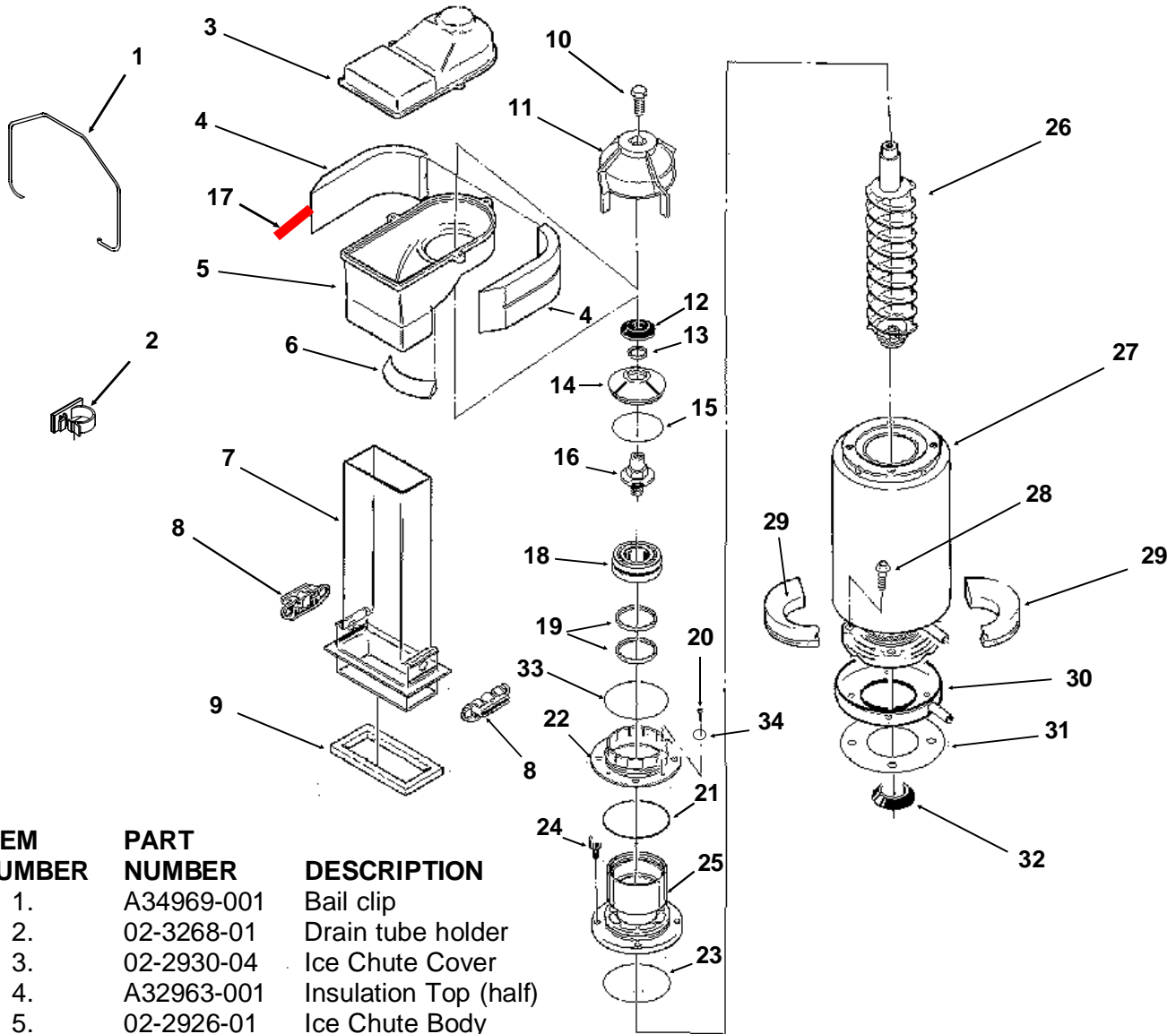
NME Evaporator, Bin Controls



ITEM NUMBER	PART NUMBER	DESCRIPTION
1.	A34969-001	Bail clip
2.	02-3268-01	Drain tube holder
3.	02-2930-04	Ice Chute Cover
4.	A32963-001	Insulation Top (half)
5.	02-2926-01	Ice Chute Body
6.	A33102-001	Insulation Collar Inside
6a	A35419-020	Strap kit
7.	02-2929-04	Ice Chute Lower
8.	A33117-020	Bin Controls Assy. (set of 2)
9.	A32930-001	Chute Gasket
10.	03-1405-52	Hex Cap Screw
11.	02-3001-01	Ice Sweep
12.	13-0871-01	Water Shed
13.	02-2978-01	Lip Seal
14.	02-3128-01	Breaker Cover
15.	13-0617-52	O-Ring
16.	08-0660-01	Auger Stud & washer
17.	13-0868-01	Water Shed
18.	A34559-020	Bearing
19.	02-2977-01	Lip Seal
20.	13-0704-00	Drip Pan Gasket
21.	13-0617-54	O-Ring
22.	A32050-001	Drip Pan
23.	13-0617-45	O-Ring
24.	03-1544-08	Soc. Head Screw
25.	A32900-020	Breaker (includes 18 & 19)
26.	02-3003-01	Auger
27.	A32890-020	Evaporator
28.	03-1420-03	Cap Screw
29.	A32962-001	Insulation Bot. (half)

NME1850R & FME2400R SERVICE PARTS

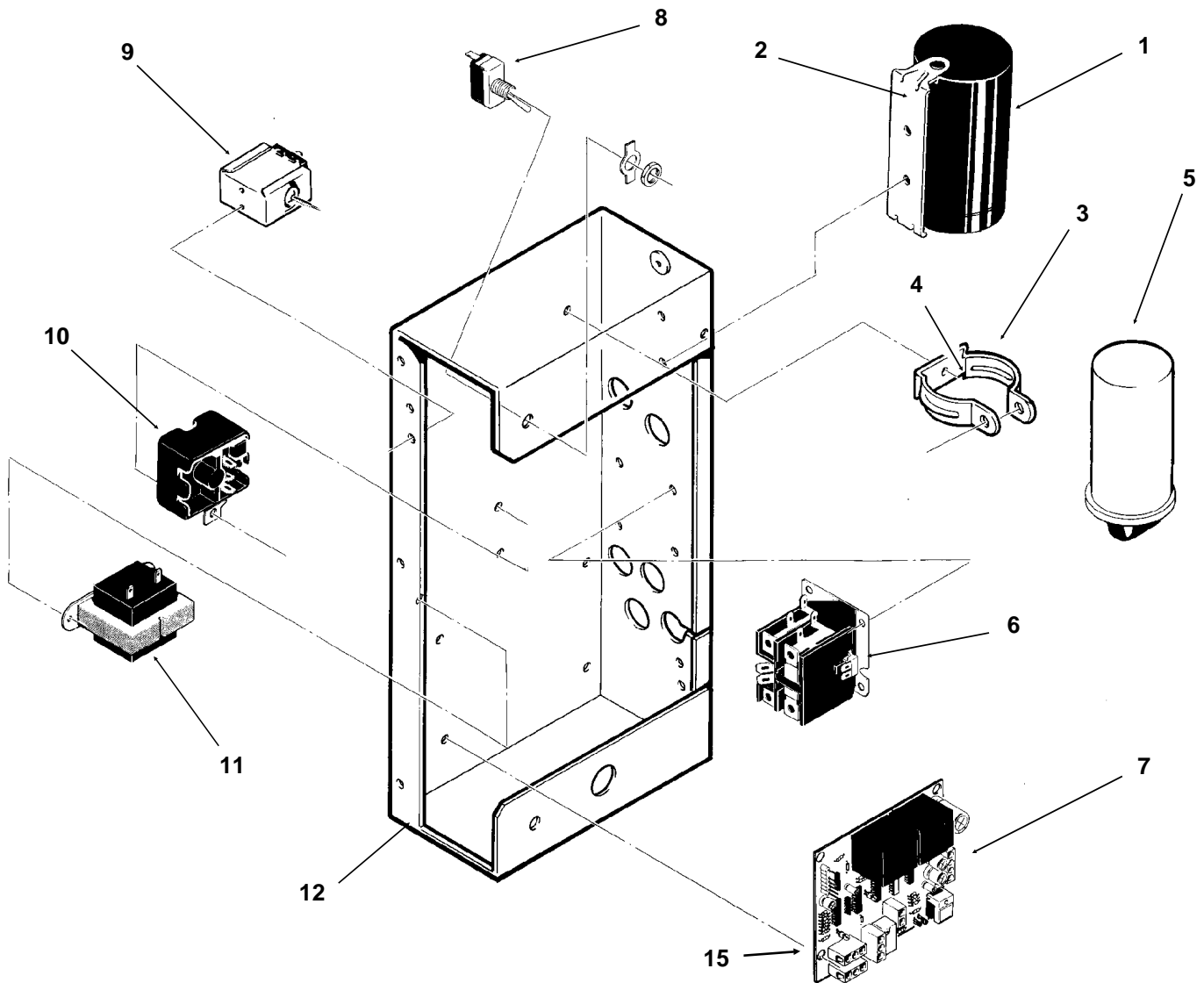
FME Evaporator, Bin Controls



ITEM NUMBER	PART NUMBER	DESCRIPTION
1.	A34969-001	Bail clip
2.	02-3268-01	Drain tube holder
3.	02-2930-04	Ice Chute Cover
4.	A32963-001	Insulation Top (half)
5.	02-2926-01	Ice Chute Body
6.	A33102-001	Insulation Collar Inside
7.	02-2929-04	Ice Chute Lower
8.	A33117-020	Bin Controls Assy. (set of 2)
9.	A32930-001	Chute Gasket
10.	03-1405-52	Hex Cap Screw
11.	02-3001-01	Ice Sweep
12.	13-0871-01	Water Shed
13.	02-2978-01	Lip Seal
14.	02-3128-01	Breaker Cover
15.	13-0617-54	O-Ring
16.	08-0660-01	Auger Stud, thrust Washer
17.	A35419-020	Strap kit
18.	A34559-020	Bearing
19.	02-2977-01	Lip Seal
20.	03-1405-27	Screw
21.	13-0617-52	O-Ring
22.	02-2916-01	Slotted Collar
23.	13-0617-45	O-Ring
24.	03-1544-08	Soc. Head Screw
25.	A34505-020	Breaker (Divider) (includes 18 & 19)
26.	02-3003-01	Auger
27.	A32890-020	Evaporator
28.	03-1420-03	Cap Screw
29.	A32962-001	Insulation Bot. (half)
30.	A32050-001	Drip Pan
31.	13-0704-00	Drip Pan Gasket
32.	13-0868-01	Water Shed
33.	13-0617-49	O-Ring
34.	03-1408-36	Washer

NME1850R & FME2400R SERVICE PARTS

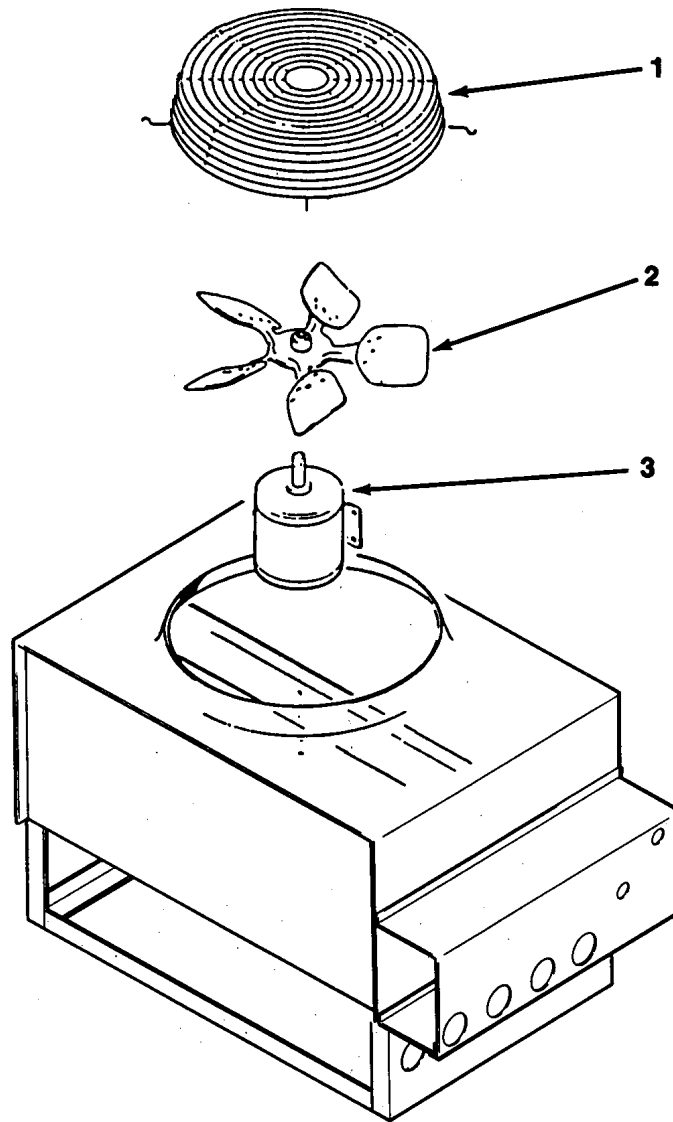
Control Box



ITEM NUMBER	PART NUMBER	DESCRIPTION	ITEM NUMBER	PART NUMBER	DESCRIPTION
1	18-1901-54	Start Capacitor	7	A32976-020	Circuit Board
	18-2200-38	Start Capacitor Cap.	8.	12-0426-01	Master Switch
2.	18-2200-39	Start Capacitor Bracket	9.	11-0420-24	Pump down control
	03-1638-04	Screw	10	18-1903-33	Potential Relay
	03-1417-15	Lockwasher	11.	12-2285-22	Transformer
3.	A32872-001	Run Cap Bracket	12	no number	Control Box Assy
	03-1652-02	Bolt	NOT ILLUSTRATED		
	03-0255-04	Wing Nut	13.	12-2340-01	4 Pin Plug Assy
4.	03-1638-03	Screw	(Transformer to Circuit Board)		
5.	18-1902-45	Run Capacitor	14	12-2350-01	Spacer/screw
6.	12-2048-02	Single Phase Contactor	Separate From The Control Box		
	12-0739-02	Three Phase Contactor	15.	12-2070-04	Fan Motor Relay
			(in a separate control box)		
			16.	A34055-001	Control box cover

NME1850R & FME2400R SERVICE PARTS

Remote Condenser



RCE502

ITEM NUMBER	PART NUMBER	DESCRIPTION
1.	02-2618-01	Fan Guard
2.	18-6304-01	Fan Blade
3.	18-5301-01	Fan Motor
4.	16-0701-02	Line connection, female half 3/8"
5.	16-0701-10	Line connection, female half 1/2"

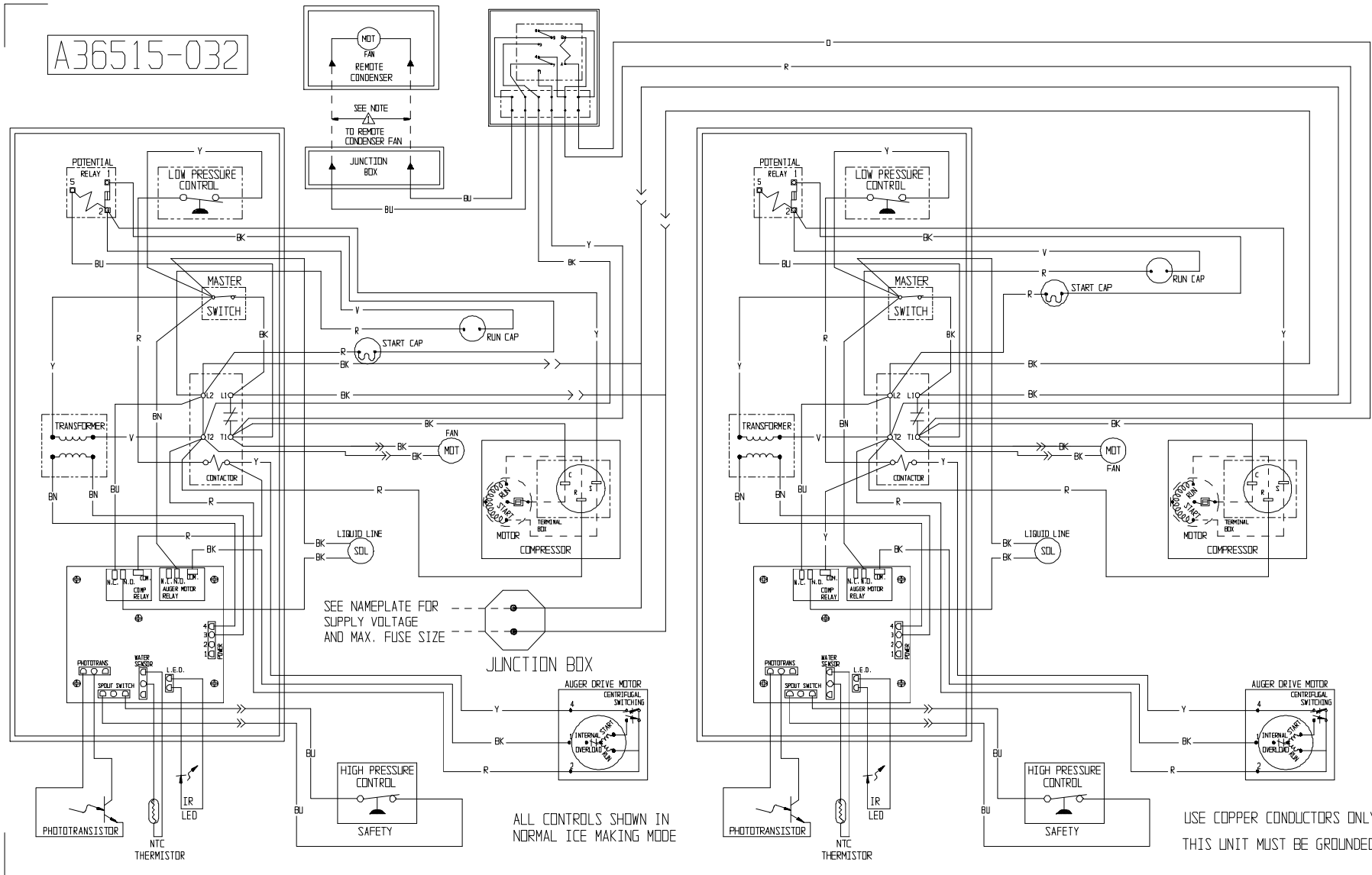
ERC302

1	02-3575-01	Fan guard
2	18-8800-01	Fan blade
3	18-8796-32	Fan motor

NME1850R & FME2400R SERVICE PARTS

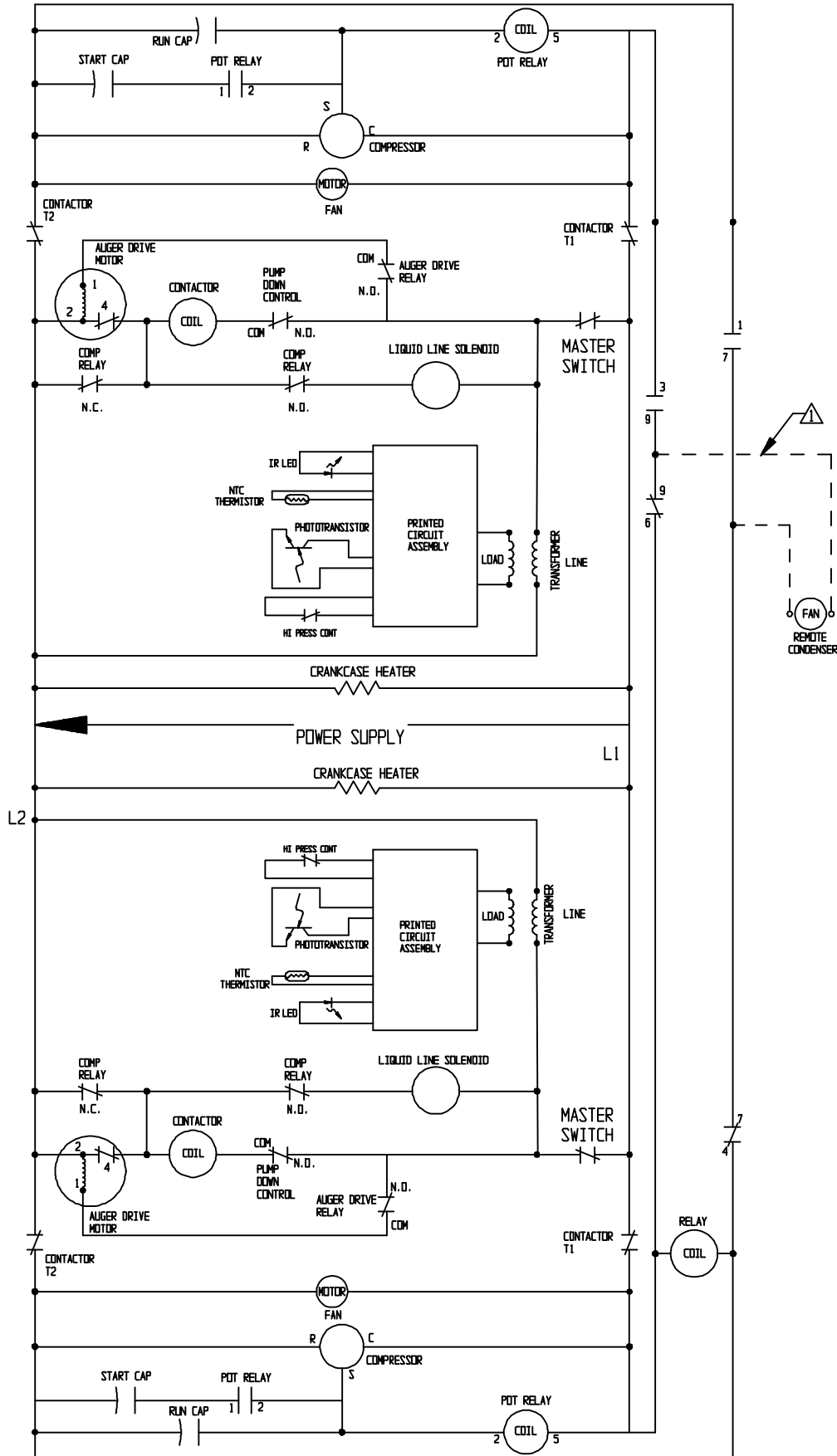
Component Layout Diagram 208-230/60/1

A36515-032

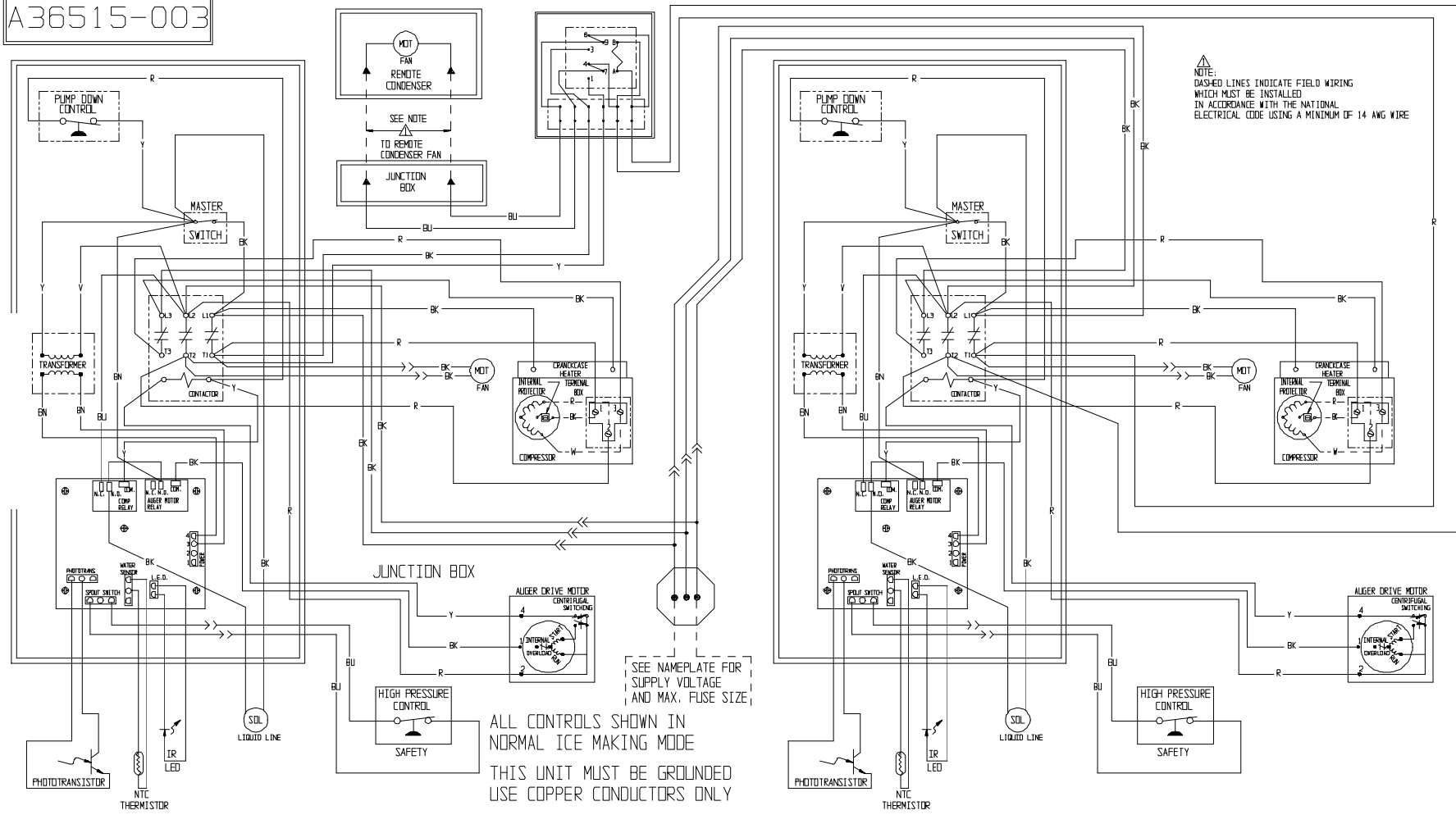


NME1850R & FME2400R SERVICE PARTS

Schematic Diagram 208-230/60/1



A36515-003



NME1850R & FME2400R SERVICE PARTS
 Component Layout Diagram 208-230/60/3

NME1850R & FME2400R SERVICE PARTS

Schematic Diagram 208-230/60/3

