



# Nugget Ice Machine with Storage

ITEM NO.

## NSE650

C.S.I. File No. 11400



Includes 6" black enamel legs

The NSE650 represents Scotsman's commitment to R-404A Refrigerant (DuPont SUVA® HP62) as the sensible, permanent solution to the refrigerant issue.

### LONG SERVICE LIFE

- Evaporator, auger and breaker are all fabricated from durable stainless steel.
- Innovative "Interrupted Flight" auger design minimizes bearing loads.
- New gearmotor design includes heavy duty ball bearings.
- Large spherical top roller bearing self aligns, reducing bearing wear.

### ENHANCED RELIABILITY

- Advanced electronics eliminate mechanical switches and sensors.
- Electronic water level control prevents problems associated with water pressure fluctuations.
- Continuous length evaporator refrigerant tubing eliminates potential refrigerant leaks.

### IMPROVED EFFICIENCY

- Photoelectric eye bin control allows maximum storage in bin.
- Continuous icemaking, no hot gas cycle, no water dump.
- Lower KWH usage per 100 lbs. of ice than cubers.
- Foam insulated, rotocast bin minimizes ice meltage.

### LOWER SERVICE COSTS

- Installation made easy by placing all utility connections on back panel, accepting standard plumbing fittings.
- System design minimizes cost of component failure.

### ENVIRONMENTALLY RESPONSIBLE

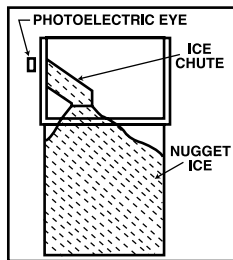
- HFC R-404A (HP-62) refrigerant.
- Non-CFC foam insulation.

### WARRANTY PROTECTION

- See Dealer for details of Limited Warranty.
- 2 years parts and labor on all components.
  - 5 years parts on compressor.
  - Directory of Certified Dealer Service.



**NUGGET ICE**  
Versatile, inexpensive to produce, used in carbonated beverages and salad bars.



**PHOTOELECTRIC EYE**  
For maximum bin storage, photoelectric eye turns machine off when ice level reaches chute.



**TOP BEARING**  
Extra large top bearing attached to auger and breaker reduces bearing wear.

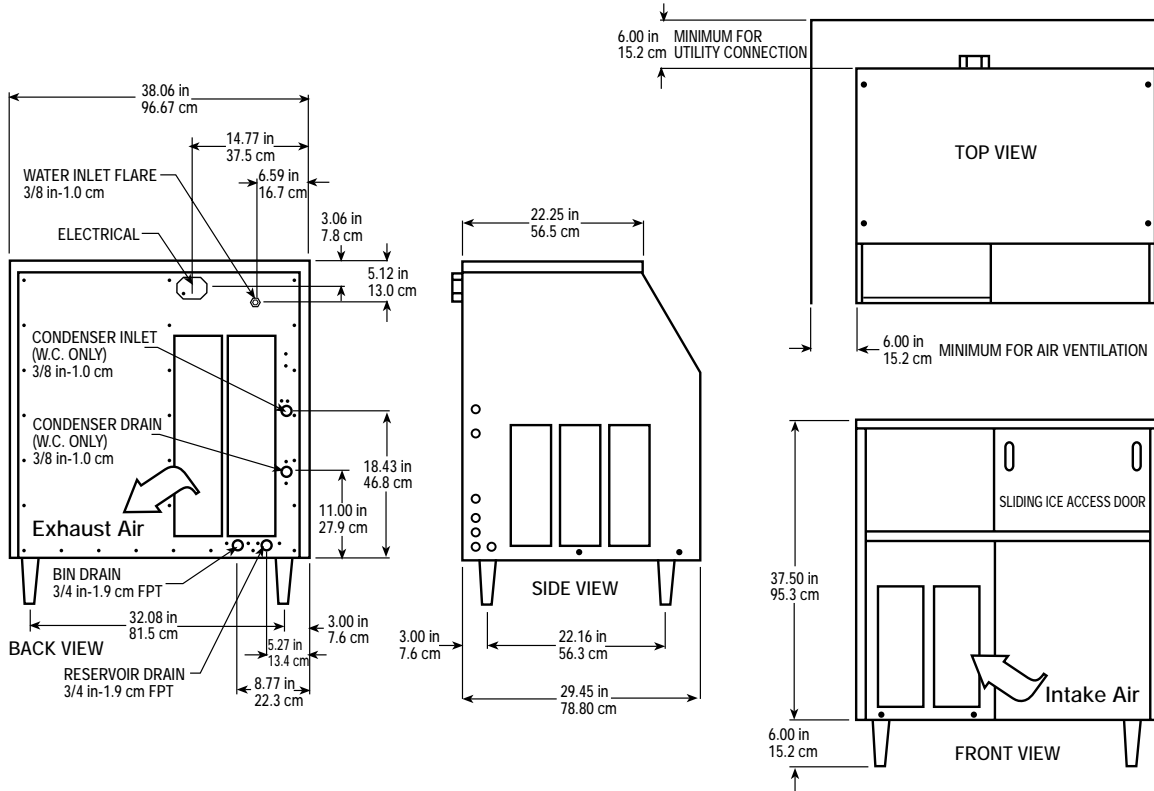
This product qualifies for the following listings:



**SCOTSMAN®**  
Ice Systems The World Relies On.™

Consultant/Contractor Approval

# NSE650 NUGGET ICE MACHINE WITH STORAGE



All models: Dimensions: W x D x H without legs (Add 6" height for legs) Unit: 38<sup>1</sup>/<sub>16</sub>" x 29<sup>1</sup>/<sub>2</sub>" x 37<sup>1</sup>/<sub>2</sub>" Shipping Carton: 42" x 33" x 43" Refrigerant: R-404A

Model Number	Cond. Unit	Ice Prod. lbs./24 hrs. at		Bin Storage lb.	Basic Electrical Volts/Hz/Phase	Comp H.P.	No. of Wires	Min. Circuit Ampacity†	Max. Fuse Size	Power Usage* KWH/100 lb.	Water Usage* Gallons/100 lbs.		Ship Wt. lb.
		70°F Air	90°F Water								Potable	Condenser	
NSE650AE-1A	Air	690	560	145	115/60/1	3/4	2	20.0	35	5.3	12.0	N/A	320
NSE650WE-1A	Water	710	580	145	115/60/1	3/4	2	20.0	30	4.9	12.0	102	315

Finish: Grey, leathergrain embossed steel with high gloss baked enamel finish.  
 † Use this value to determine minimum wire size as per National Electric Code Standards.

\* At 90° air temperature, 70° water temperature.

### LEGS SUPPLIED:

Four black plastic legs screw into mounting plates on cabinet base. Provides 6" minimum height including adjustable leveling foot. N.S.F. approved.

Optional leg kit: KLP2S: Nickel plated, brushed metal finish with adjustable foot. Recommended with stainless steel cabinet.

### OPTIONAL STAINLESS STEEL PANEL KIT:

SPKNS650 contains stainless steel panels for top and 4 sides. Grey molded ABS door. Not factory installed.

### IMPORTANT OPERATING REQUIREMENTS:

	MINIMUM	MAXIMUM
Air Temperatures . . . . .	50°F (10.0°C)	100°F (37.7°C)
Water Temperatures . . . . .	40°F (4.4°C)	100°F (37.7°C)
Condenser Temperatures . . . . .	-20°F (-28.9°C)	120°F (48.9°C)
Water Pressures . . . . .	20 PSIG	120 PSIG
Electrical Voltage . . . . .	-5%	+10%

Machine requires voltage indicated on rating name plate. Failures caused by improper voltage are not considered factory defects.

Scotsman's remote condensers are designed for outdoor installations. Scotsman's ice machines are not designed for outdoor installations. Extended periods of operation at temperatures exceeding the above limitations constitutes misuse under the terms of Scotsman Manufacturer's Limited Warranty, resulting in a loss of warranty coverage.

### TYPICAL ICE MAKING CAPACITY PER 24 HOURS

NSE650A AIR-COOLED WATER TEMPERATURE					NSE650W WATER-COOLED WATER TEMPERATURE				
AIR TEMPERATURE	F°	50°	70°	90°	AIR TEMPERATURE	F°	50°	70°	90°
	C°	10°	21°	32°		C°	10°	21°	32°
70°	21°	690	630	580	70°	21°	710	610	540
		313	286	263			322	277	245
90°	32°	620	560	510	90°	32°	670	580	520
		281	254	231			304	263	236
100°	38°	570	510	460	100°	38°	660	570	510
		259	231	209			299	259	231

Capacities represent typical production, variances of ±5% are normal.

### NSE650 NUGGET ICE MAKER WITH STORAGE

Model \_\_\_ self-contained nugget ice maker manufactured by Scotsman Ice Systems to have a production capacity of \_\_\_ lb. of ice per 24 hours at 90°F air and 70°F water temperatures. Ice maker to have a(n) \_\_\_ (air, water) -cooled condenser. Ice storage bin capacity to be \_\_\_ lb. Ice form to be cylindrical compressed flake ice 3/8" in diameter of random length up to 1/2". Exterior cabinet to be \_\_\_ (grey baked enamel leathergrain or 304 series stainless steel) finish. Ice maker to be UL, CSA, NSF and USDA listed.

Continuing improvements to our products may necessitate changes without notice. Scotsman ice systems include a full line of ice shapes, modular and self-storing cubers, flakers, drink dispensers, bins and accessories.

