

SCOTSMAN®

Automatic Air and Water Cooled Nugget Ice Maker/Dispenser



NUGGET ICE

Versatile, inexpensive to produce, used in carbonated beverages and salad bars.



SOFT DRINK DISPENSING

KV5H-30 electric valve kit and a remote carbonation system easily convert the NDE650 into a high profit drink center. (Remote cooling system required)

This product qualifies for the following listings:



SCOTSMAN®
Ice Systems The World Relies On.™

775 CORPORATE WOODS PARKWAY • VERNON HILLS, IL 60061 • (847) 215-4550
FAX (847) 913-9844
E-mail: customer.service@scotsman-ice.com

ITEM NO.

NDE650

The NDE650 represents a totally new concept in the manufacture of the already popular Scotsman Nugget Ice – new components – from design to materials.

LONG SERVICE LIFE

- Evaporator, auger and breaker are all fabricated from durable stainless steel.
- Innovative “Interrupted Flight” auger design minimizes bearing loads.
- New gearmotor design includes heavy duty ball bearings.
- Large spherical top roller bearing self aligns, reducing bearing wear.

ENHANCED RELIABILITY

- Advanced electronics eliminate most mechanical switches and sensors
- Electronic water level sensor prevents problems associated with water pressure fluctuations.
- Continuous length evaporator refrigerant tubing eliminates potential refrigerant leaks.

IMPROVED EFFICIENCY

- Photoelectric eye bin control allows maximum storage in bin.
- Continuous icemaking, no hot gas cycle, no water dump.
- Lower KWH usage per 100 lbs. of ice than cubers.

NON-BRIDGING NUGGETS – EASY SERVING

- Jam-free dispensing.
- Nuggets stay separated without clustering.
- Provide maximum liquid displacement.
- Most effective ice form for carbonated beverages.

FLEXIBILITY – MORE CONVENIENCE

- Cleanable A.B.S. sink and stainless steel splash panel.
- Foam insulated 40-pound capacity roto cast bin.
- Mounts on counter, wall or on DMS21B machine stand.
- Easy front service access.
- Easy to install – utilities are connected at the backside.

ENVIRONMENTALLY RESPONSIBLE

- HFC R404a (HP-62) refrigerant.
- Non-CFC foam.

WARRANTY PROTECTION

See Dealer for details of Limited Warranty.

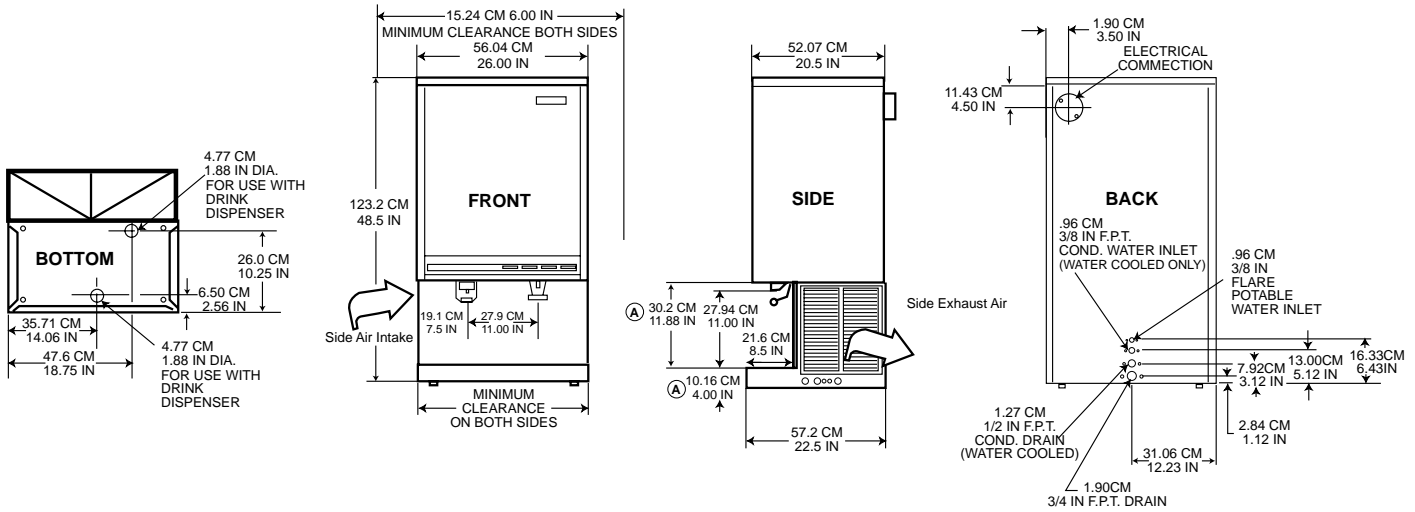
- 24 Month Factory Labor.
- 24 Months on all parts.
- 5 Years on Compressor.
- Directory of Certified Dealer Service.

C.S.I. File No. 11400

Consultant/Contractor Approval

Printed in U.S.A.
3.5M 8-97

NDE650 AUTOMATIC AIR AND WATER COOLED NUGGET ICE MAKER/DISPENSER



INSTALLATION NOTE: Allow 6" minimum space at sides and back for ventilation and utility connections.

All models: Dimensions: W x D x H Unit: 26" x 22 1/2" x 48 1/2" Shipping Carton: 30" x 24" x 53"

Model	Cond. Unit	Ice Prod. Lbs./24 hrs.		Finish**	Ship Wt. lbs./kg.	Basic Electrical Volts/Hz/Phase	Comp HP	No. of Wires	Min. Circuit Ampacity†	Max. Fuse Size or HACR Circuit Breaker	Power KWH/100 lbs.		Water Usage* Gallons/100 lbs.		Bin Cap. lbs./kg.	
		70° Air	90° Water								90°/70°	70°/50° F	Potable 90°/70°	Condenser 70°/50° F		
NDE650AE-1A	Air	605	465	EG	285/129	115/60/1	1/2	2	19.3	25	5.7	4.2	12	12	—	40/18
NDE650AS-1A	Air	605	465	SS	285/129	115/60/1	1/2	2	19.3	25	5.7	4.2	12	12	—	40/18
NDE650WE-1A	Water	620	540	EG	280/127	115/60/1	1/2	2	17.8	20	4.3	3.6	12	12	103.4	50.6
NDE650WS-1A	Water	620	540	SS	285/129	115/60/1	1/2	2	17.8	20	4.3	3.6	12	12	103.4	50.6

* Typical ice production in lbs./kg. of ice per 24 hours at 70° air and 55° water.
 ** EG = Grey, leathergrain embossed steel with high gloss baked enamel finish.
 SS = Stainless Steel.

† Use this value to determine minimum wire size as per National Electric Code Standards.

ICE MAKING CAPACITY PER 24 HOURS

NDE550A AIR-COOLED WATER TEMPERATURE					NDE550W WATER-COOLED WATER TEMPERATURE				
AIR TEMPERATURE	F°	50°	70°	90°	AIR TEMPERATURE	F°	50°	70°	90°
	C°	10°	21°	32°		C°	10°	21°	32°
70°	605	570	515	lbs.	70°	620	545	485	lbs.
21°	275	259	234	kg.	21°	281	247	220	kg.
90°	490	465	425	lbs.	90°	605	540	470	lbs.
32°	222	211	193	kg.	32°	275	245	213	kg.
100°	445	415	380	lbs.	100°	595	535	470	lbs.
38°	202	188	173	kg.	38°	270	243	213	kg.

Capacities represent typical production, variances of ±5% are normal.

ICE VENDING CAPACITY

Variable Vends: From 1 to 4 oz. (approx. 2 to 8 oz. by volume).

PEAK VENDS PER HOUR

	Bin Cap. lbs.	1-Hr. Recovery Cap.* lbs.	Number of Vends per Hour From Full Bin + Recovery			
			1 oz. Vends	2 oz. Vends	3 oz. Vends	4 oz. Vends
NDE550A	40	25	560 + 400	280 + 200	185 + 130	140 + 100
NDE550W	40	25	560 + 400	280 + 200	185 + 130	140 + 100

*Ice production based on 70° air and 50° water.

We reserve the right to make product improvements at any time. Specifications and design are subject to change without notice. Scotsman ice systems include a full line of ice shapes, modular and self-storing cubers, flakers, drink dispensers, bins and accessories.

SCOTSMAN®
Ice Systems The World Relies On.™

OPTIONAL EQUIPMENT:

KPC6/550 - Portion control kit. Adds adjustable dispense rate from continuous flow down to 1 second for each actuation.

KSP1 - Splash panel kit to be used when the NDE550 is installed above a permanent sink and the sink assembly is not used.

KV5H-30A - Post-mix soft drink dispensing system for use with remote carbonation systems. Four electric valves dispense 4 soft drinks plus carbonated and non-carbonated water. Two single lever valves provide carbonated drink. One double lever valve provides 1 carbonated drink and or carbonated water. One double lever valve provides 1 sweet water drink and or sweet water.

DMS21B - Machine stand for NDE650. Width: 26". Depth 22 1/2". Height: 36" with 6" legs. Available in grey enamel finish or stainless steel.

KWB3 - Wall mounting kit.

IMPORTANT OPERATING REQUIREMENTS:

Machine requires voltage indicated on rating name plate. Failures caused by improper voltage are not considered factory defects.

Scotsman products are not designed for outdoor installations nor for installation where air temperatures fall below 50° F, or exceed 100° F; nor where water temperatures fall below 40° F, or exceed 100° F. Extended periods of operation at temperatures exceeding these limitations constitutes misuse under the terms of Scotsman Manufacturer's Limited Warranty, resulting in a loss of warranty coverage.

NDE SERIES NUGGET ICEMAKER/DISPENSER

Model _____ nugget icemaker manufactured by Scotsman Ice Systems. Production capacity to be _____ at 90°F air temperature and 70°F water temperature. Ice storage bin capacity to be _____. Icemaker to have a _____ (air or water) cooled condenser. Ice form to be cylindrical compressed flake ice 3/8" in diameter of random length up to 1/2". To have factory installed photoelectric eye bin level control to automatically start and stop icemaker. Evaporator and auger to be constructed of stainless steel. Exterior cabinet to be _____ (baked enamel grey leathergrain or 304 series stainless steel) finish. Icemaker to be UL, CSA, and NSF listed.