

# NME954 & FME1204 SERVICE PARTS

This parts list contains the service parts and wiring diagrams for this model. Check the model number in question to be sure that it is applicable to this parts list.

Note that these machines have been manufactured in both 50 and 60 cycle. 60 Hz model numbers end in -3 or -32. 50 Hz model numbers end in -6.

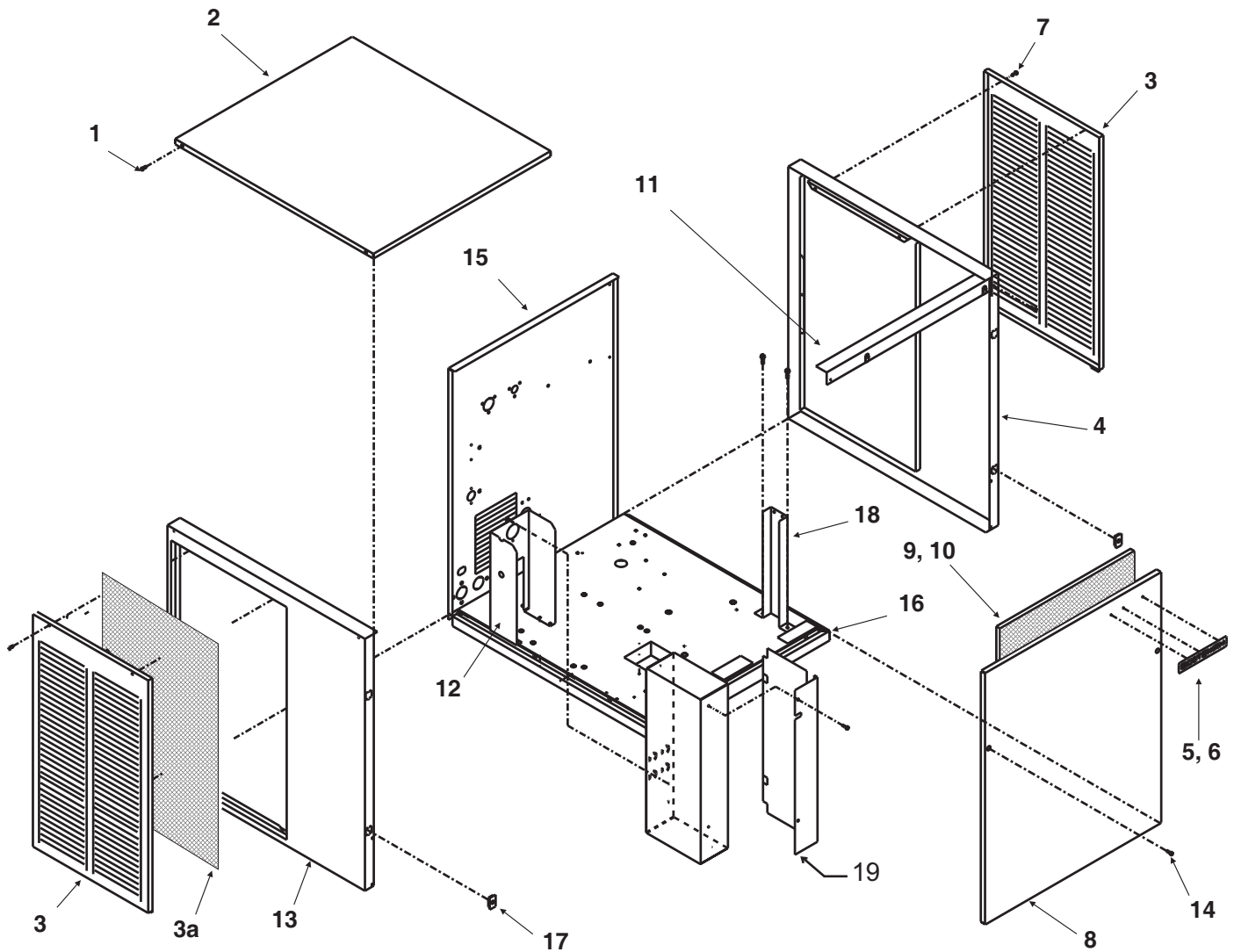
Another change was to the water cooled condensers. Model numbers ending in A have a different water cooled condenser than the current model.

## TABLE OF CONTENTS

|                                      |    |
|--------------------------------------|----|
| Cabinet . . . . .                    | 2  |
| Air Cooled Refrigeration . . . . .   | 3  |
| Water Cooled Refrigeration . . . . . | 4  |
| Water System . . . . .               | 5  |
| Gearmotor . . . . .                  | 6  |
| NME Evaporator . . . . .             | 7  |
| FME Evaporator . . . . .             | 8  |
| Control Box . . . . .                | 9  |
| Wiring Diagrams . . . . .            | 10 |

# NME954 & FME1204 SERVICE PARTS

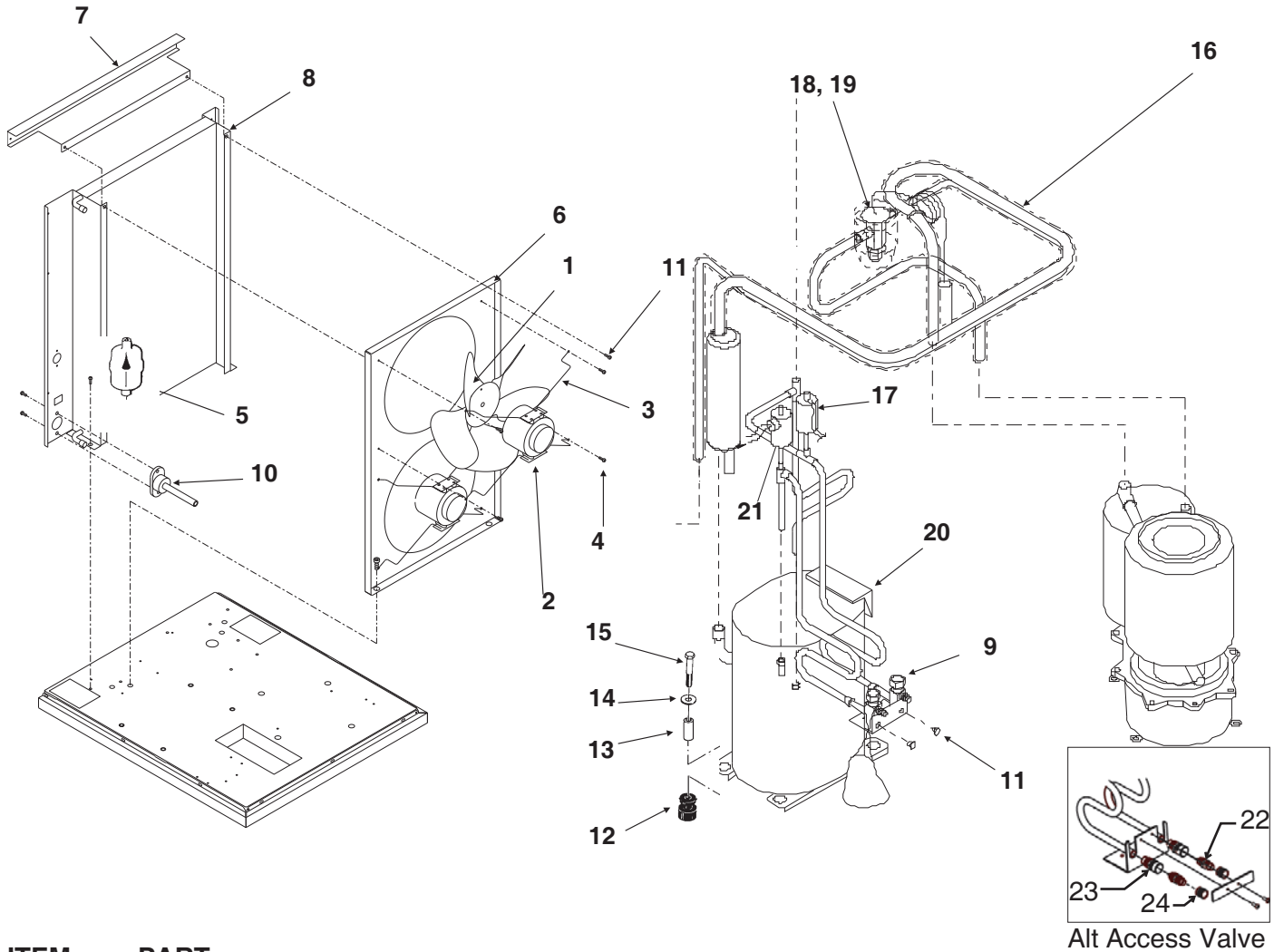
## Cabinet Assembly



| ITEM NUMBER | PART NUMBER | DESCRIPTION  | ITEM NUMBER | PART NUMBER        | DESCRIPTION                              |
|-------------|-------------|--|-------------|--------------------|--|
| 1           | 03-1531-01  | Screw  | 9           | 02-2976-01         | Filter Assembly for louvered front panel |
| 2           | A33256-002  | Top Panel, S.S.  | 10          | 03-1660-01         | Filter clip                              |
| 3           | A34038-002  | Service Panel, non-louvered                                      | 11          | A34348-015         | Ft. brace                                |
| 3a          | A33946-032  | Service panel, louvered  | 12          | A34039-001         | Control Box Support                      |
|             | A32975-001  | Air filter media, for louvered service panel. Same on other side | 13          | A32435-002         | Left Side Panel, S.S.                    |
| 4           | A33292-002  | Right Side Panel, S.S.   | 14          | 03-1419-22         | Screw                                    |
| 5           | 03-0271-00  | Speed Clip   | 15          | Water Cooled only: |  |
| 6           | 15-0808-01  | Emblem, grey   |             | A35924-002         | Rear panel, stainless                    |
| 7           | 03-1404-12  | Screw  | 16.         | A35890-020         | Base                                     |
| 8           | A33255-002  | Front Panel, louvered  | 17          | 02-0836-00         | Catch                                    |
|             | A39048-001  | Front panel, non-louvered  |             | 15-0411-00         | Strike (on front panel)                  |
|             |             |  | 18          | A37482-001         | Reservoir bracket                        |
|             |             |  | 19          | A37681-001         | Control box cover                        |

# NME954 & FME1204 SERVICE PARTS

## Air Cooled Refrigeration

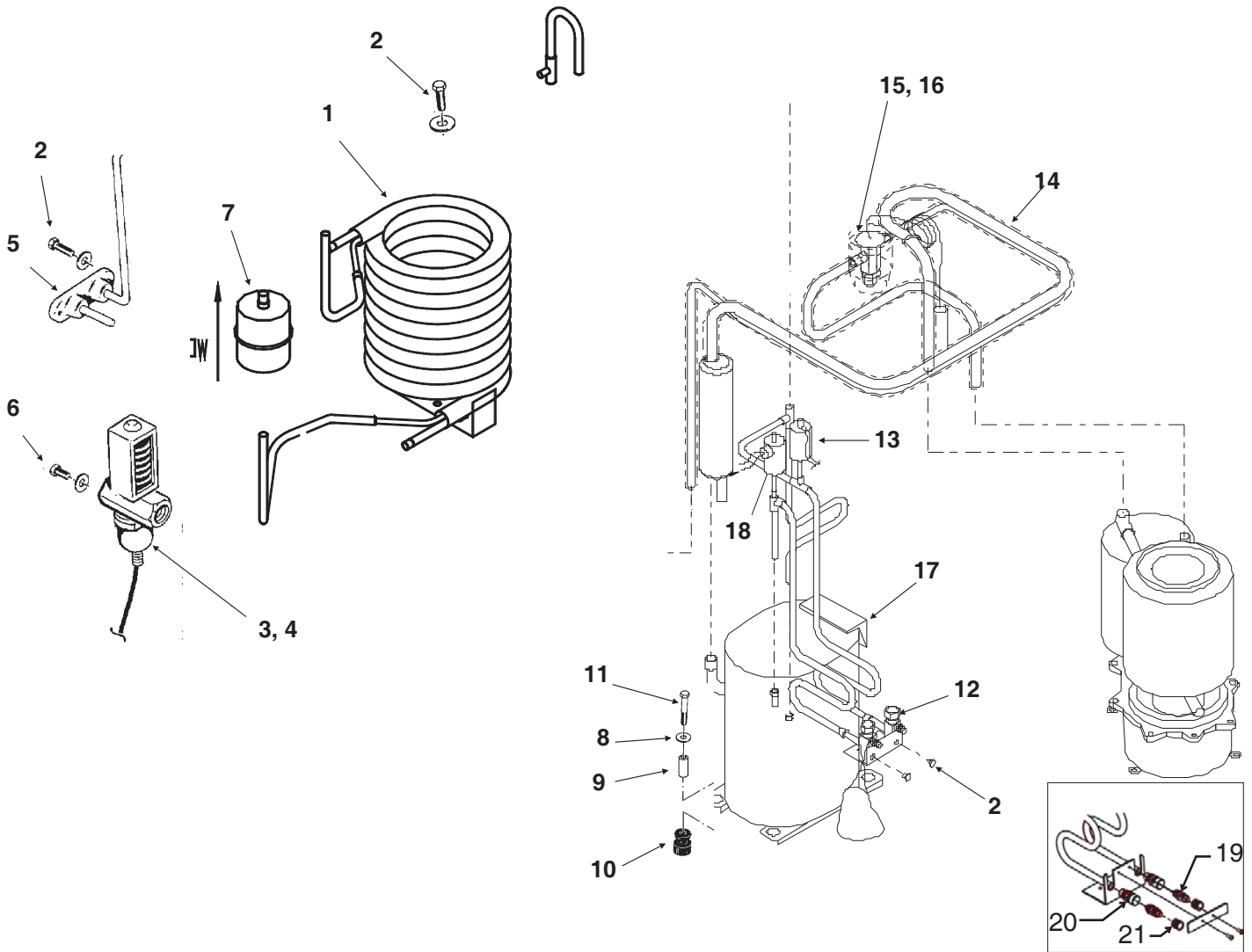


| ITEM NUMBER | PART NUMBER | DESCRIPTION                 |
|-------------|-------------|-----------------------------|
| 1           | 18-3815-01  | Fan Blade                   |
| 2           | 12-1576-02  | Fan Motor                   |
| 3           | 02-2378-01  | Fan Bracket                 |
| 4           | 03-1404-12  | Screw                       |
| 5           | 02-3319-02  | Dryer                       |
| 6           | A33231-015  | Fan Shroud                  |
| 7           | A35582-002  | Fan shroud cover, stainless |
| 8           | 18-8717-01  | Condenser                   |
| 9           | 16-0832-20  | Access valve                |
| 9a          | 16-0832-02  | Stem cap                    |
| 9b          | 16-0832-03  | Core cap                    |
| 10          | 02-3692-22  | Drain casting               |
| 11          | 03-1645-01  | Screw                       |
| 12          | 18-2200-28  | Grommet                     |
| 13          | 18-2300-27  | Sleeve                      |
| 14          | 03-1407-07  | Washer                      |
| 15          | 03-1405-20  | Cap Screw                   |

| ITEM NUMBER | PART NUMBER | DESCRIPTION                    |
|-------------|-------------|--------------------------------|
| 16          | A36496-001  | Suction Line                   |
| 17          | 11-0501-22  | Hi Pressure Cut Out            |
| 18          | A32961-020  | Insulation Kit (3 piece)       |
| 19          | 11-0488-21  | Thermo Expansion Valve         |
| 20          | 18-8768-22  | Compressor 208-230/60/1        |
|             |             | Overload for above is internal |
|             | 18-8768-24  | Compressor 200-230/60/3        |
|             |             | Overload for above is internal |
|             | 18-8772-26  | Compressor 220-240/50/1        |
|             | 18-8772-21  | Overload for above             |
| 21          | 11-0502-21  | Low pressure cut out switch    |
| 22          | 16-1139-01  | Core                           |
| 23          | 16-1137-01  | Access valve body              |
| 24          | 16-1140-01  | Cap                            |

# NME954 & FME1204 SERVICE PARTS

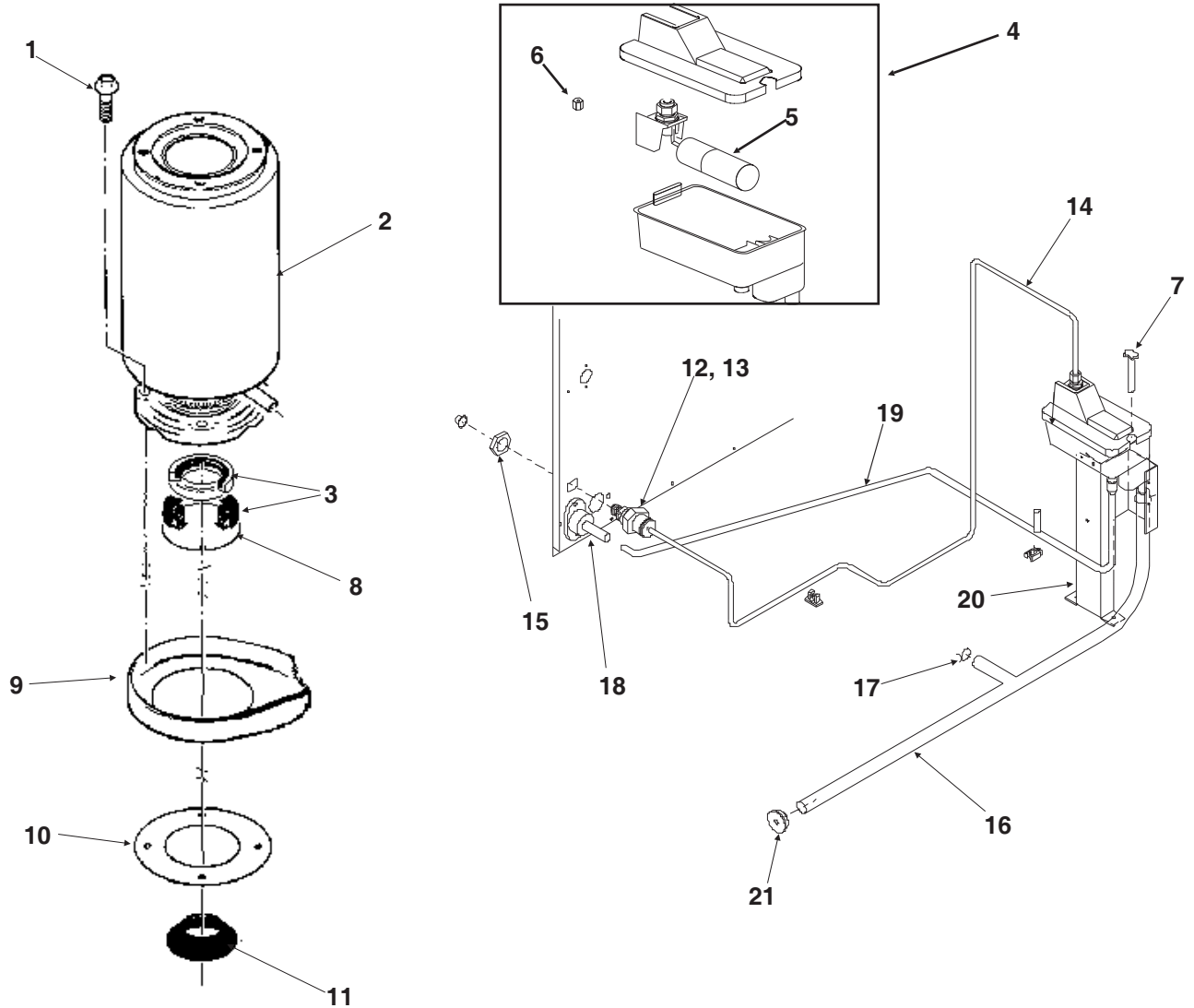
## Water Cooled Refrigeration



| ITEM NUMBER | PART NUMBER | DESCRIPTION            |     |            |                                |
|-------------|-------------|------------------------|-----|------------|--------------------------------|
| 1           | 18-8718-25  | Condenser for A series | 12  | 16-0832-20 | Access Valve Complete          |
|             | 18-8873-21  | Condenser for B series | 12a | 16-0832-02 | Stem cap                       |
| 2           | 03-1645-01  | Screw                  | 12b | 16-0832-03 | Core cap                       |
| 3           | 11-0478-.01 | Water Reg. Valve       | 13  | 11-0501-22 | Hi Pressure Cut Out            |
| 4           | 16-0401-02  | Elbow (not shown)      | 14  | A36496-001 | Suction Line                   |
| 5           | A31878-004  | Drain Assembly         | 15  | A32961-020 | Insulation Kit (3 piece)       |
| 6           | 03-1403-14  | Screw                  | 16  | 11-0488-21 | Thermo Expansion Valve         |
| 7           | 02-3319-02  | Dryer                  | 17  | 18-8768-22 | Compressor 208-230/60/1        |
| 8           | 03-1407-07  | Washer                 |     |            | Overload for above is internal |
| 9           | 18-2200-27  | Sleeve                 |     |            | 18-8768-24                     |
| 10          | 18-2200-28  | Grommet                |     |            | Compressor 200-230/60/3        |
| 11          | 03-1405-20  | Screw                  |     |            | Overload for above is internal |
|             |             |                        |     |            | 18-8772-26                     |
|             |             |                        |     |            | Compressor 220-240/50/1        |
|             |             |                        |     |            | 18-8772-21                     |
|             |             |                        |     |            | Overload for above             |
|             |             |                        | 18  | 11-0502-21 | Low pressure cut out switch    |
|             |             |                        | 19  | 16-1139-01 | Core                           |
|             |             |                        | 20  | 16-1137-01 | Access valve body              |
|             |             |                        | 21  | 16-1140-01 | Cap                            |

# NME954 & FME1204 SERVICE PARTS

## Water System

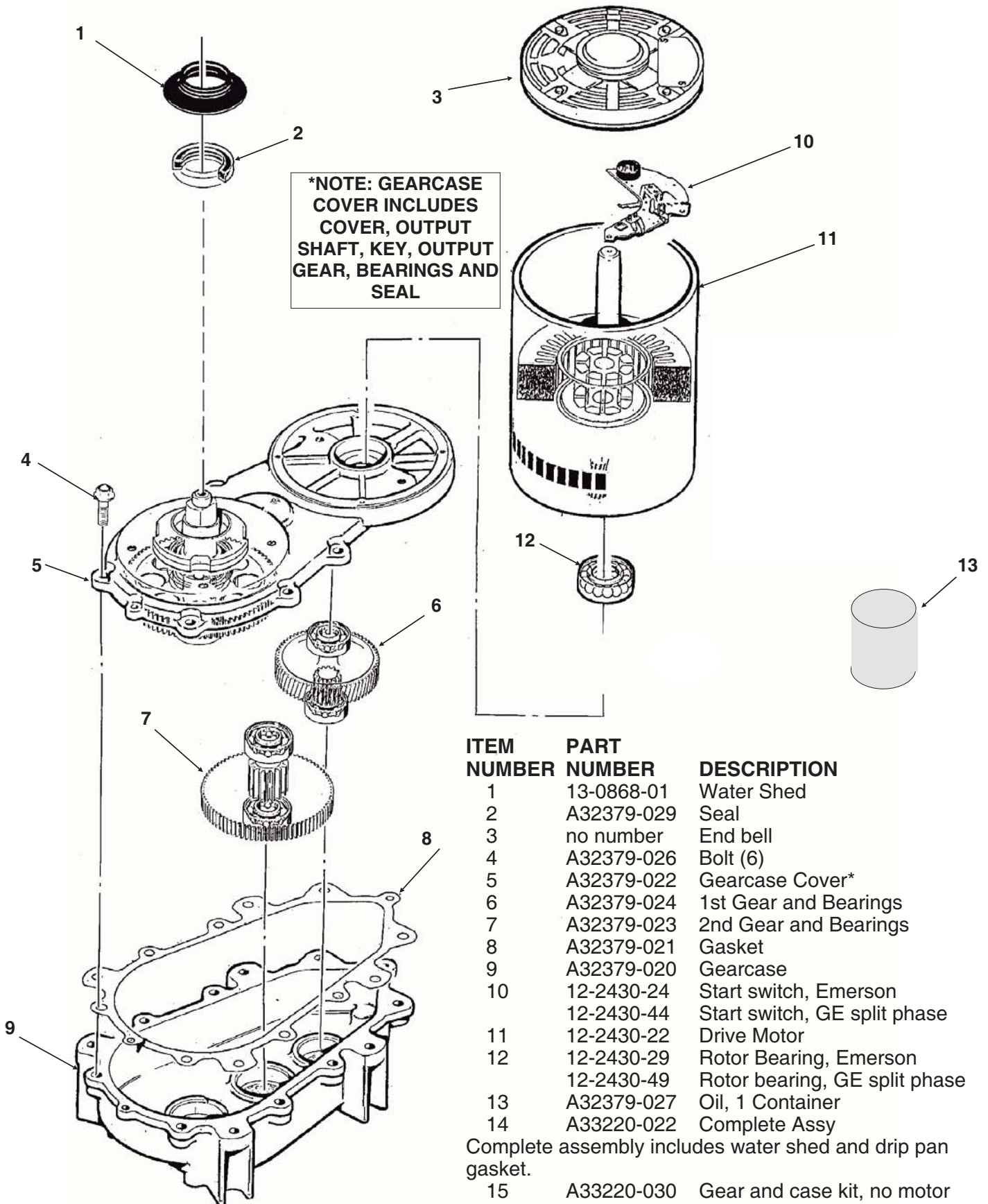


| ITEM NUMBER | PART NUMBER | DESCRIPTION             |
|-------------|-------------|-------------------------|
| 1           | 03-1405-41  | Cap Screw               |
| 2           | A32890-020  | Evaporator              |
| 3           | 02-0929-23  | Water Seal              |
| 4           | 02-3266-01  | Reservoir & valve       |
| 5           | 02-3266-02  | Float valve             |
| 6           | 02-3266-03  | Plunger/seat            |
| 7           | 12-2760-21  | Water Level Sensor      |
| 8           | A32777-001  | Retaining Ring for Seal |
| 9           | 02-3837-01  | Drip Pan                |
| 10          | 13-0704-00  | Gasket                  |
| 11          | 13-0868-01  | Water Shed              |
| 12          | 16-1039-01  | Male connector          |
| 13          | 16-0835-01  | Water fitting           |
| 14          | 13-0895-01  | Inlet tubing, 4 ft req. |

| ITEM NUMBER | PART NUMBER | DESCRIPTION            |
|-------------|-------------|------------------------|
| 15          | 03-1394-01  | Pal nut                |
| 16          | A36154-001  | Evap. water inlet tube |
| 17          | 02-1338-00  | Hose clamp             |
| 18          | 02-3692-22  | Drain fitting          |
| 19          | 02-3826-01  | Res. overflow hose     |
| 20          | A37482-001  | Reservoir bracket      |
| 21          | 13-0840-01  | Rubber cap             |

# NME954 & FME1204 SERVICE PARTS

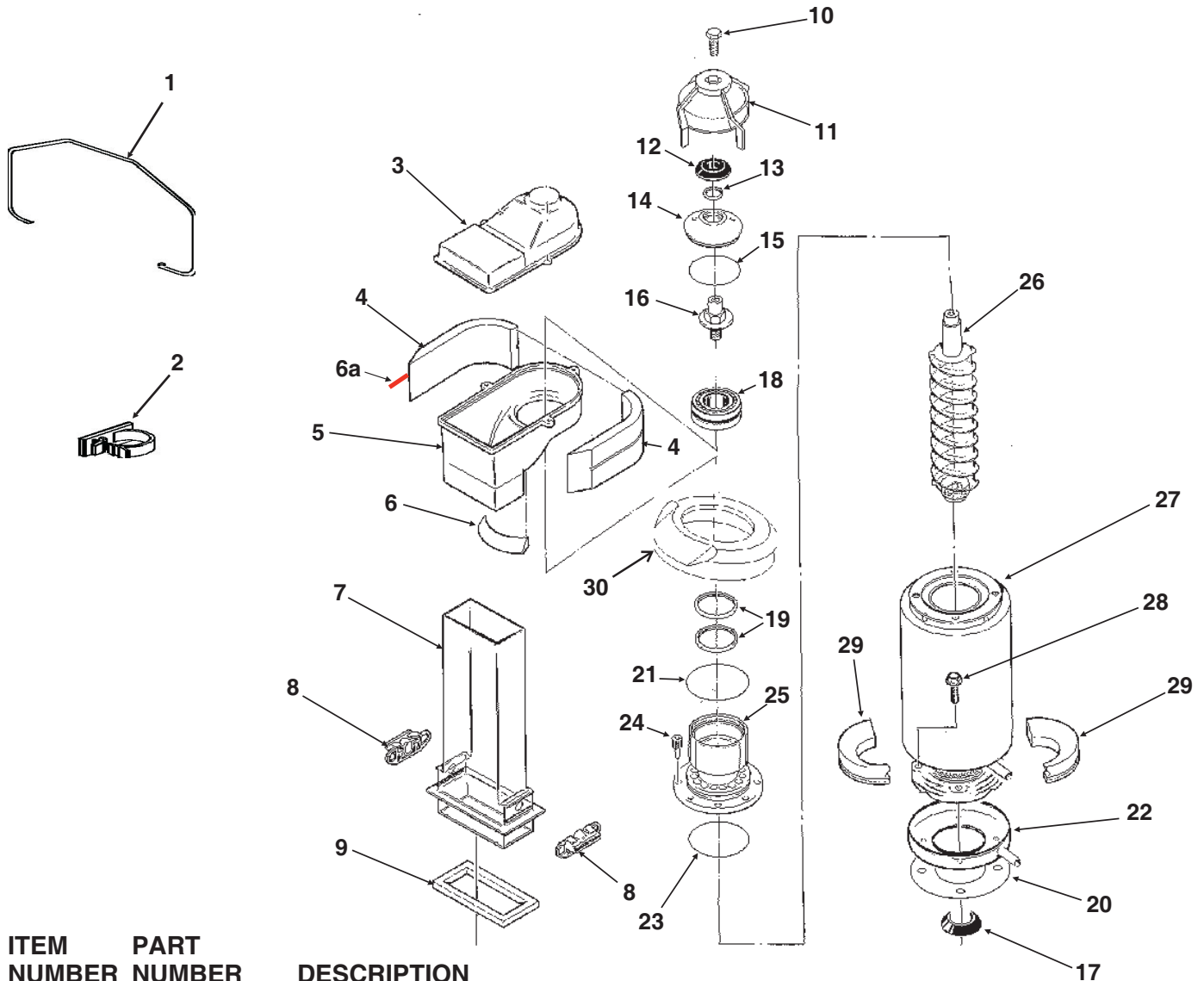
## Gearmotor





# NME954 & FME1204 SERVICE PARTS

## NME Evaporator

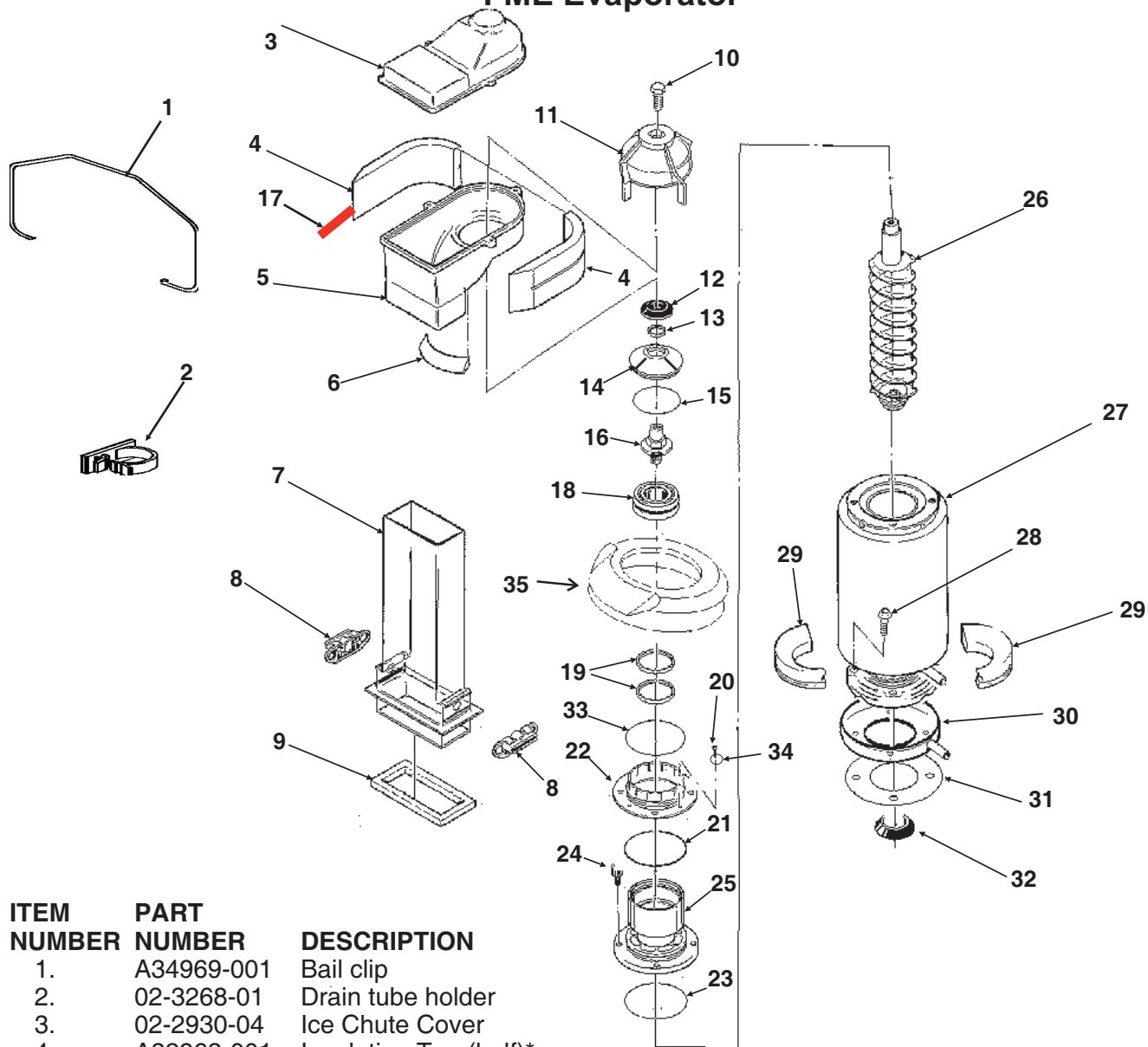


| ITEM NUMBER | PART NUMBER | DESCRIPTION                                      |
|-------------|-------------|--|
| 1.          | A34969-001  | Bail clip  |
| 2.          | 02-3268-01  | Drain tube holder                                |
| 3.          | 02-2930-04  | Ice Chute Cover                                  |
| 4.          | A32963-001* | Insulation Top (half)                            |
| 5.          | 02-3841-01* | Ice Chute Body, includes insulation, repl item 4 |
| 6.          | A33102-001* | Insulation Collar Inside                         |
| 6a          | A35419-020* | Strap kit  |
| 7.          | 02-2929-04  | Ice Chute Lower                                  |
| 8.          | A37708-021  | Bin Controls Kit. (set of 2)                     |
| 9.          | A32930-001  | Chute Gasket                                     |
| 10.         | 03-1405-52  | Hex Cap Screw                                    |
| 11.         | 02-3001-01  | Ice Sweep  |
| 12.         | 13-0871-01  | Water Shed                                       |
| 13.         | 02-2978-01  | Lip Seal   |
| 14.         | 02-3128-20  | Breaker Cover                                    |
| 15.         | 13-0617-52  | O-Ring   |
| 16.         | 08-0660-01  | Auger Stud & washer                              |
| 17.         | 13-0868-01  | Water Shed                                       |
| 18.         | A34559-020  | Bearing  |
| 19.         | 02-2977-01  | Lip Seal   |
| 20.         | 13-0704-00  | Drip Pan Gasket                                  |
| 21.         | 13-0617-54  | O-Ring   |
| 22.         | 02-3837-01  | Drip Pan   |
| 23.         | 13-0617-45  | O-Ring   |
| 24.         | 03-1544-08  | Soc. Head Screw                                  |
| 25.         | A32900-020  | Breaker (includes 18 & 19)                       |
| 26.         | A38071-022  | Auger  |
| 27.         | A32890-020  | Evaporator                                       |
| 28.         | 03-1405-41  | Cap Screw  |
| 29.         | A32962-001  | Insulation Bot. (half)                           |
| 30.         | 13-0929-02  | Insulation donut*                                |

\* Insulation changed Oct. 2000. Item 4, 6 and 6a no longer used. Item 5 changed. Item 30 added.

# NME954 & FME1204 SERVICE PARTS

## FME Evaporator



| ITEM NUMBER | PART NUMBER | DESCRIPTION                                 |
|-------------|-------------|---|
| 1.          | A34969-001  | Bail clip                                   |
| 2.          | 02-3268-01  | Drain tube holder                           |
| 3.          | 02-2930-04  | Ice Chute Cover                             |
| 4.          | A32963-001  | Insulation Top (half)*                      |
| 5.          | 02-3841-01  | Ice Chute Body, with foam, replaces item 4* |
| 6.          | A33102-001  | Insulation Collar Inside*                   |
| 7.          | 02-2929-04  | Ice Chute Lower                             |
| 8.          | A37708-021  | Bin Controls Assy. (set of 2)               |
| 9.          | A32930-001  | Chute Gasket                                |

### DESCRIPTION

|     |            |                           |
|-----|------------|---------------------------|
| 10. | 03-1405-52 | Hex Cap Screw             |
| 11. | 02-3001-01 | Ice Sweep                 |
| 12. | 13-0871-01 | Water Shed                |
| 13. | 02-2978-01 | Lip Seal                  |
| 14. | 02-3128-20 | Breaker Cover             |
| 15. | 13-0617-54 | O-Ring                    |
| 16. | 08-0660-01 | Auger Stud, thrust Washer |
| 17. | A35419-020 | Strap kit*                |
| 18. | A34559-020 | Bearing                   |
| 19. | 02-2977-01 | Lip Seal                  |
| 20. | 03-1403-27 | Screw                     |

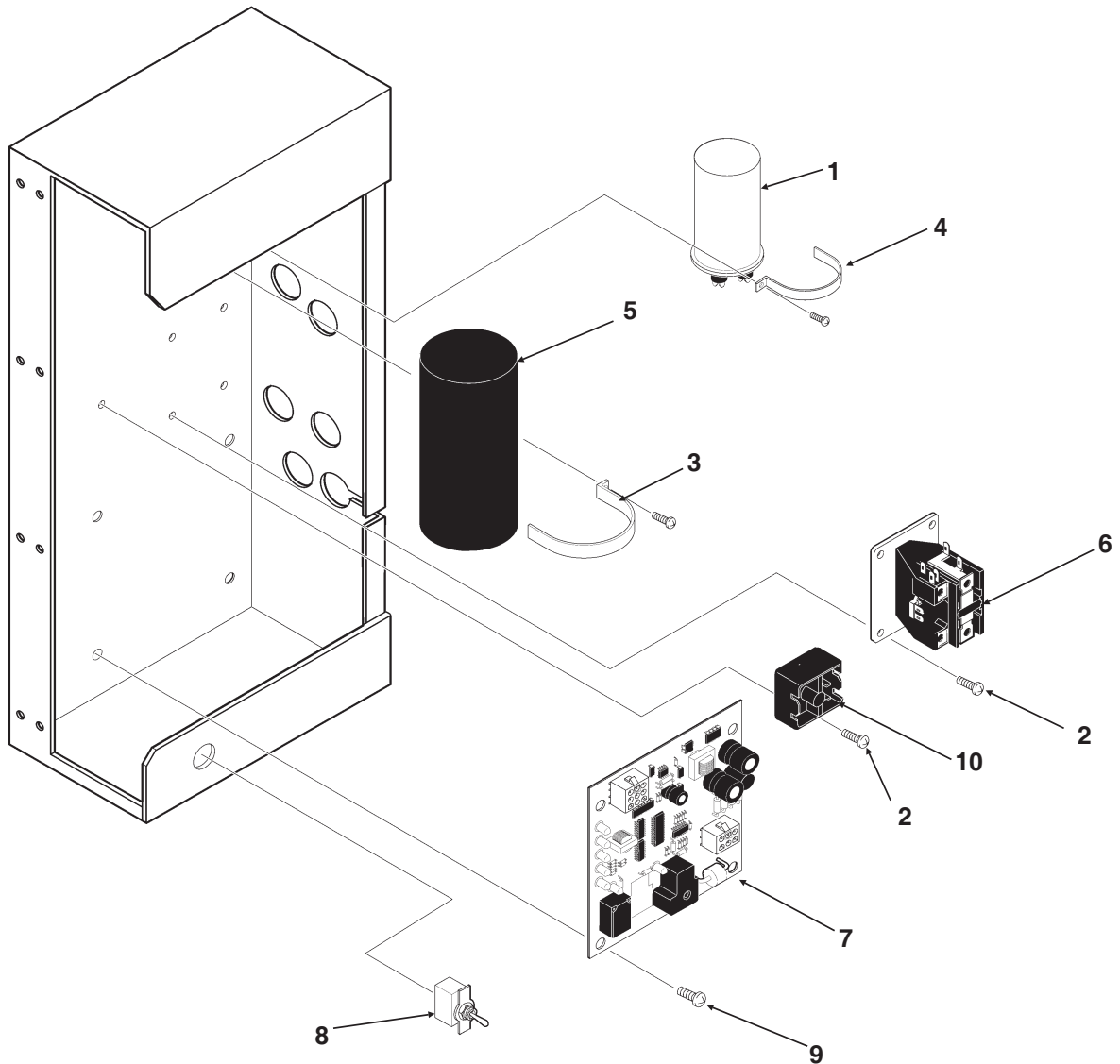
|     |            |                                      |
|-----|------------|--------------------------------------|
| 21. | 13-0617-52 | O-Ring                               |
| 22. | 02-2916-01 | Slotted Collar                       |
| 23. | 13-0617-45 | O-Ring                               |
| 24. | 03-1544-08 | Soc. Head Screw                      |
| 25. | A34505-020 | Breaker (Divider) (includes 18 & 19) |
| 26. | A38071-022 | Auger                                |
| 27. | A32890-020 | Evaporator                           |
| 28. | 03-1405-41 | Cap Screw                            |
| 29. | A32962-001 | Insulation Bot. (half)               |
| 30. | 02-3837-01 | Drip Pan                             |
| 31. | 13-0704-00 | Drip Pan Gasket                      |
| 32. | 13-0868-01 | Water Shed                           |
| 33. | 13-0617-49 | O-Ring                               |
| 34. | 03-1408-36 | Washer                               |
| 35. | 13-0929-01 | Insulation donut*                    |

\* Insulation changed Oct 2000. Items 4, 6 and 17 no longer used. Item 5 changed. Item 35 added.



# NME954 & FME1204 SERVICE PARTS

## Control Box



| ITEM NUMBER | PART NUMBER | DESCRIPTION            |
|-------------|-------------|------------------------|
| 1           | 18-1901-54  | Start Capacitor, 60 Hz |
|             | 18-1901-53  | Start Capacitor, 50 Hz |
| 2.          | 03-1638-03  | Screw                  |
| 3.          | A35971-002  | Run Cap Bracket        |
| 4.          | A35971-001  | Start cap bracket      |
| 5.          | 18-1902-45  | Run capacitor, 60 Hz   |
|             | 18-1902-53  | Run capacitor, 50 Hz   |
| 6.          | 12-2469-02  | Single Phase Contactor |
|             | 12-2533-02  | Three phase contactor  |

Note: Hz means Cycles, 50 Hz is 50 cycle, the model number ends in a -6 for 50 Hz models.

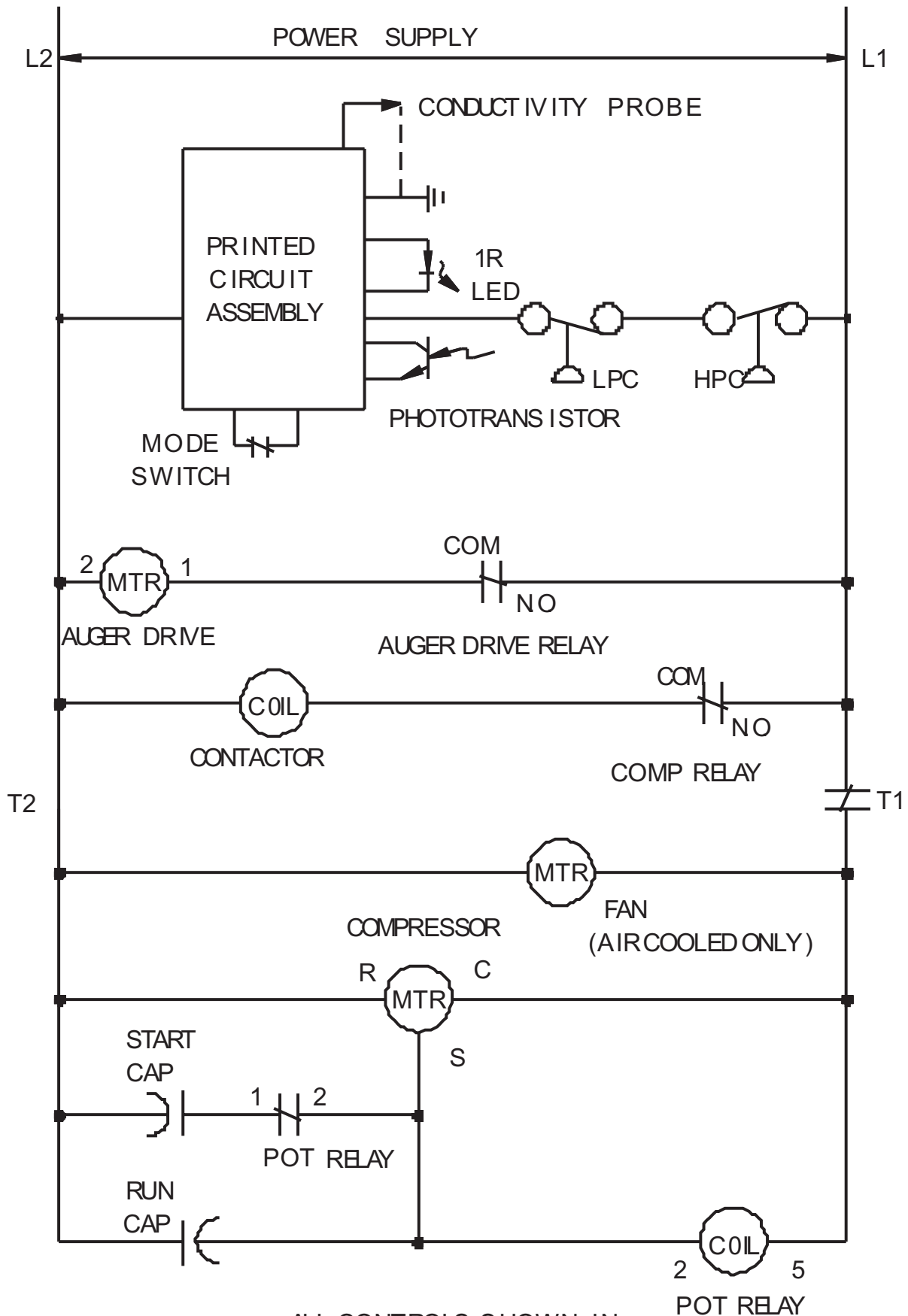
| ITEM NUMBER | PART NUMBER                  | DESCRIPTION            |
|-------------|------------------------------|------------------------|
| 7           | 12-2835-22                   | Circuit Board          |
| 8.          | 12-0426-02                   | Mode Switch            |
|             | NME-6 or FME-6 only: (50 Hz) |                        |
|             | 12-2637-01                   | Mode Switch            |
| 9.          | 12-2350-01                   | Standoff               |
| 10          | 18-1903-33                   | Potential Relay, 60 Hz |
|             | 18-1903-54                   | Potential relay, 50 Hz |

### NOT ILLUSTRATED

|     |            |                              |
|-----|------------|------------------------------|
| 11. | A37861-001 | Control Box Cover            |
| 12. | 12-2745-01 | Low voltage harness (9 pin)  |
|     |            | High voltage harness (6 pin) |
| 13  | 12-2747-01 | High voltage harness (6 pin) |

# NME954 & FME1204 SERVICE PARTS

AIR AND WATER COOLED, 208-230/60/1



ALL CONTROLS SHOWN IN  
ICE MAKING MODE

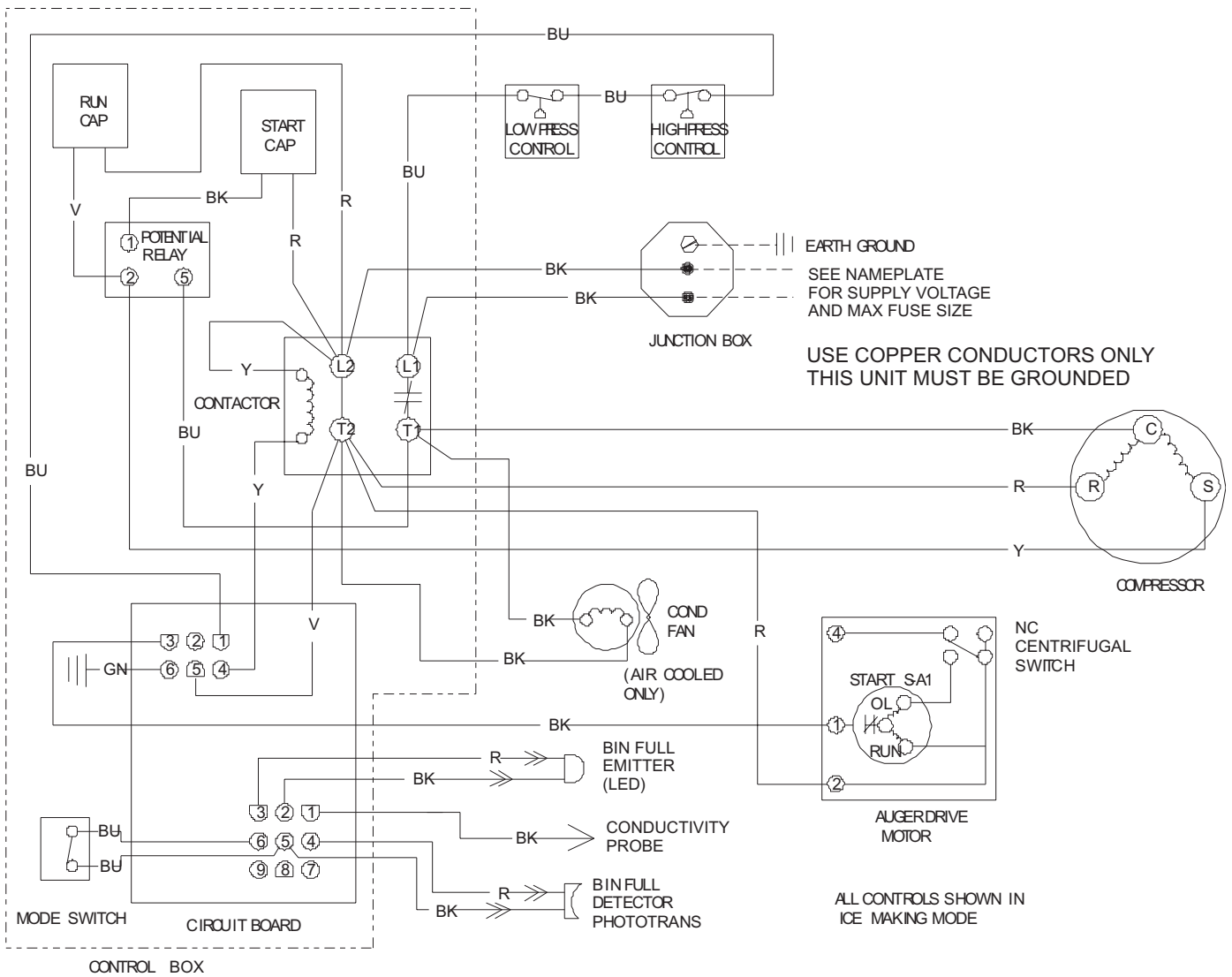
January 2000

Page 10

# NME954 & FME1204 SERVICE PARTS

AIR AND WATER COOLED, 208-230/60/1

7-2678-01

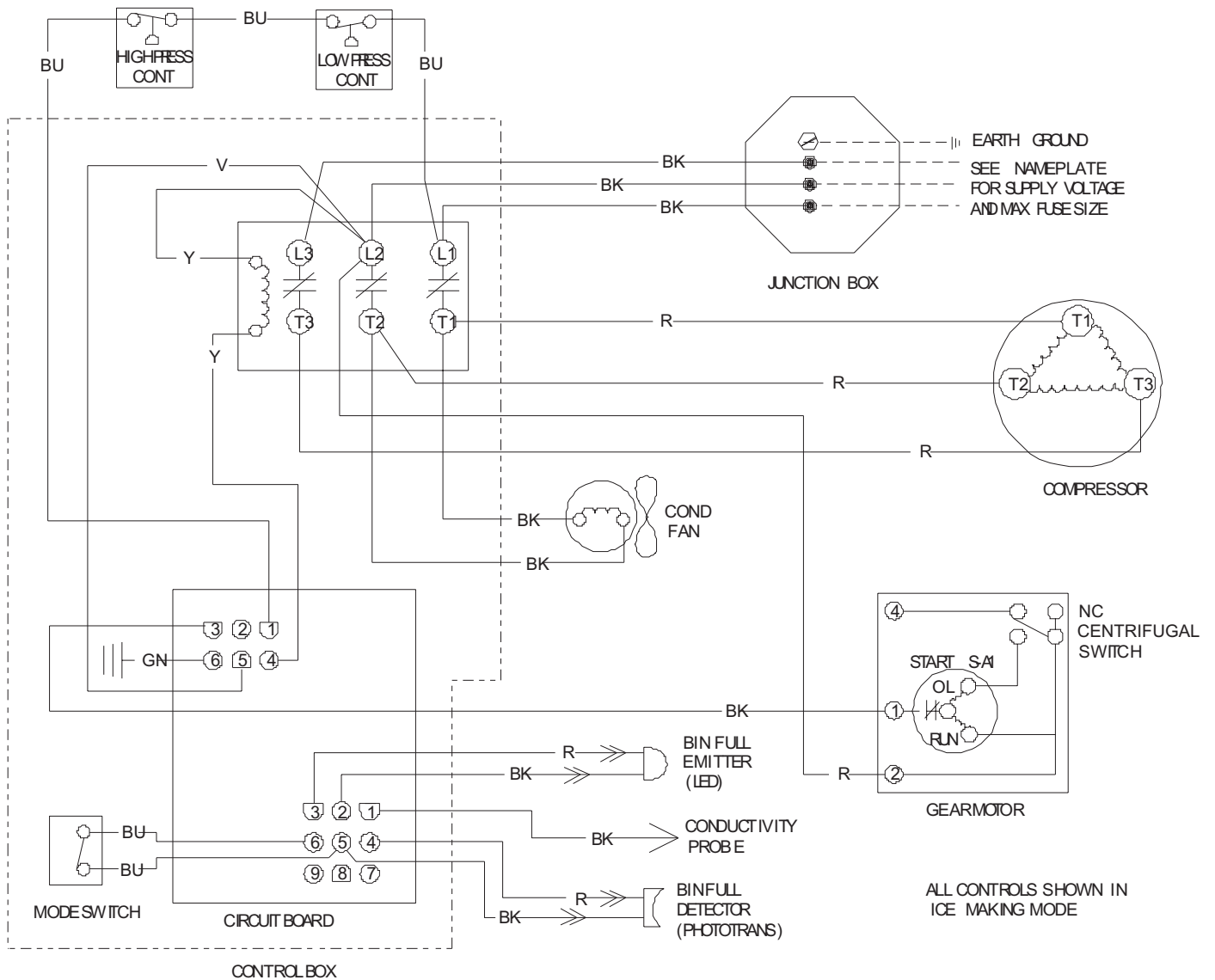




# NME954 & FME1204 SERVICE PARTS

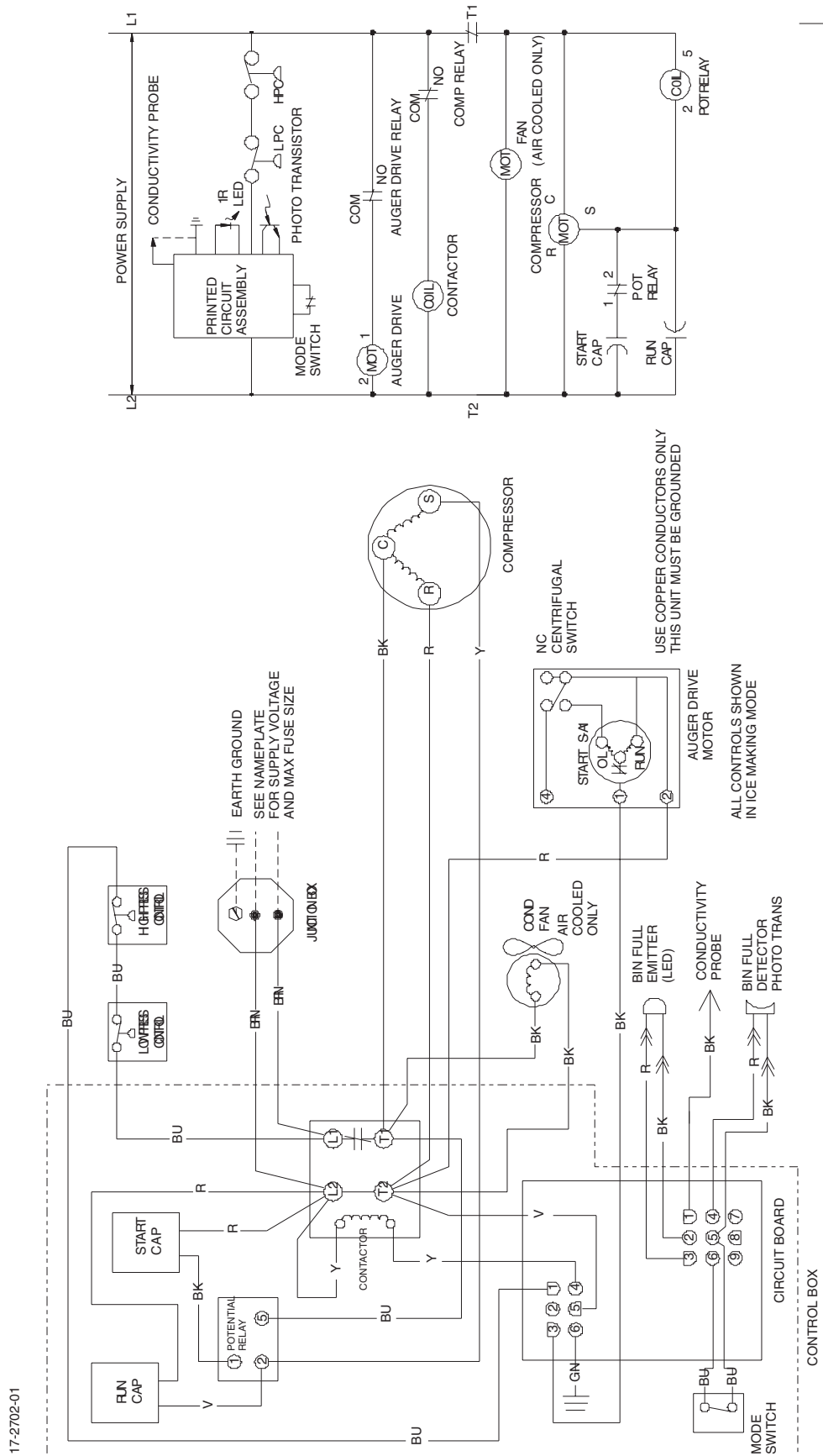
AIR AND WATER COOLED, 208-230/60/3

7-2680-01



# NME954 & FME1204 SERVICE PARTS

## NME954 or FME1204 -6



17-2702-01



# SERVICE BULLETIN

## Subject: NME, FME, NSE, NDE and TDE550/650 Top Bearing Lubrication

Two parts have been made available as helpful aids to use when lubricating the top bearing.

1. **02-3559-01** is a needle that snaps onto a standard grease gun fitting. Use it to insert and deeply pack the proper lubricant into the top bearing.
2. **A36808-001** is a tube of the proper lubricant, also designed to fit a standard grease gun.

Both numbers are in the parts price list.

Needle, shown inserted into bearing

