

N0622L, F0822L, N0922L, F1222L, N1322L, F1522L

Service Parts

This is the illustrated service parts list for the N0622, F0822, N0922, F1222, N1322 and F1522 remote low side ice machine heads.

Voltage codes:

-1 = 115/60/1

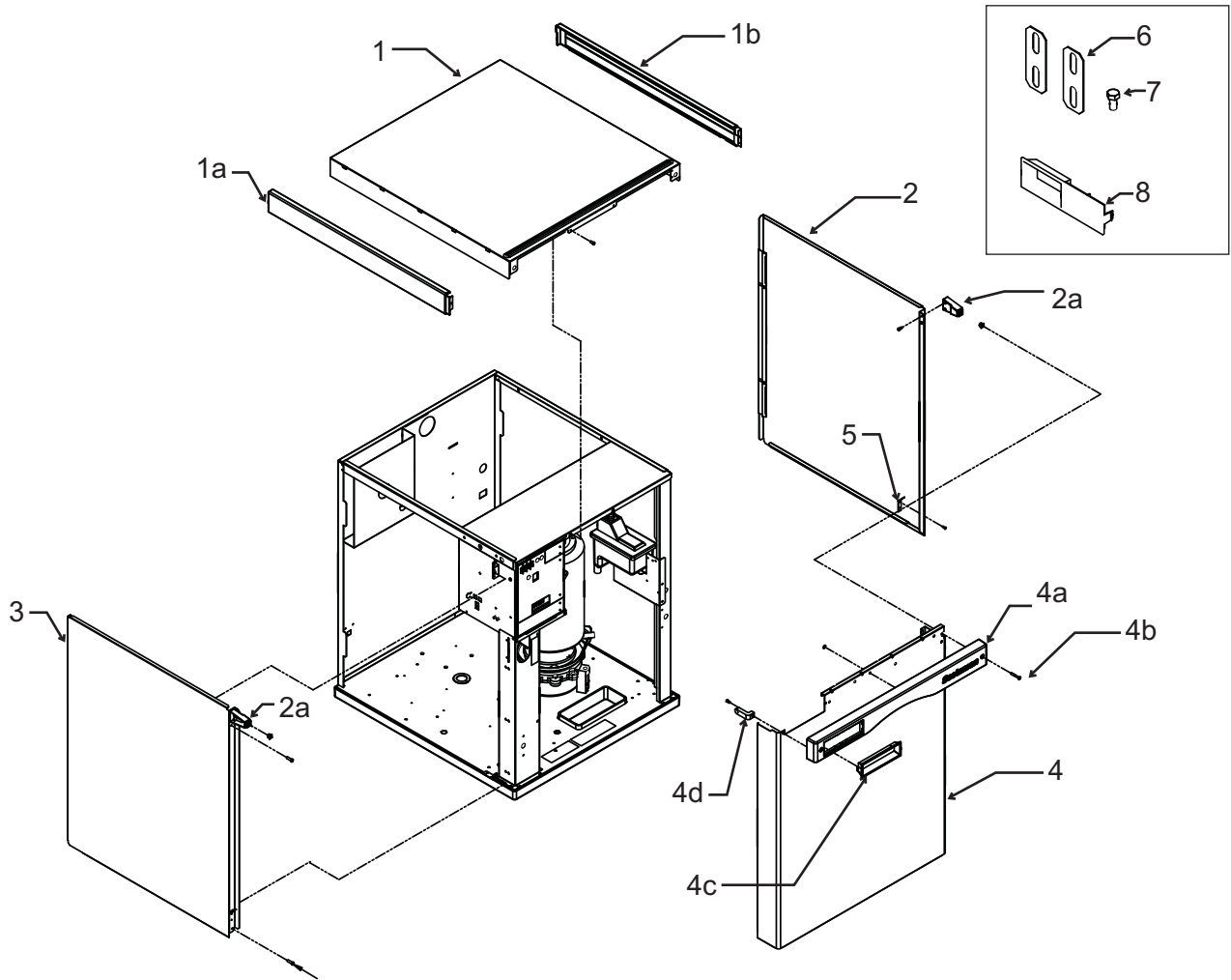
Several models are listed together, be sure to select the correct part based on the complete model number, including voltage.

Table of Contents

Cabinet	Page 2
Refrigeration	Page 3
Water and Chute	Page 4
N0622L, N0922L, N1322L Evaporator System	Page 5
F0822L, F1222L, F1522L Evaporator System	Page 6
Gear Reducer and Motor	Page 7
Electrical Control and Harnesses	Page 8
Wiring Diagram	Page 9
Schematic Diagram	Page 10

Service Parts

Cabinet

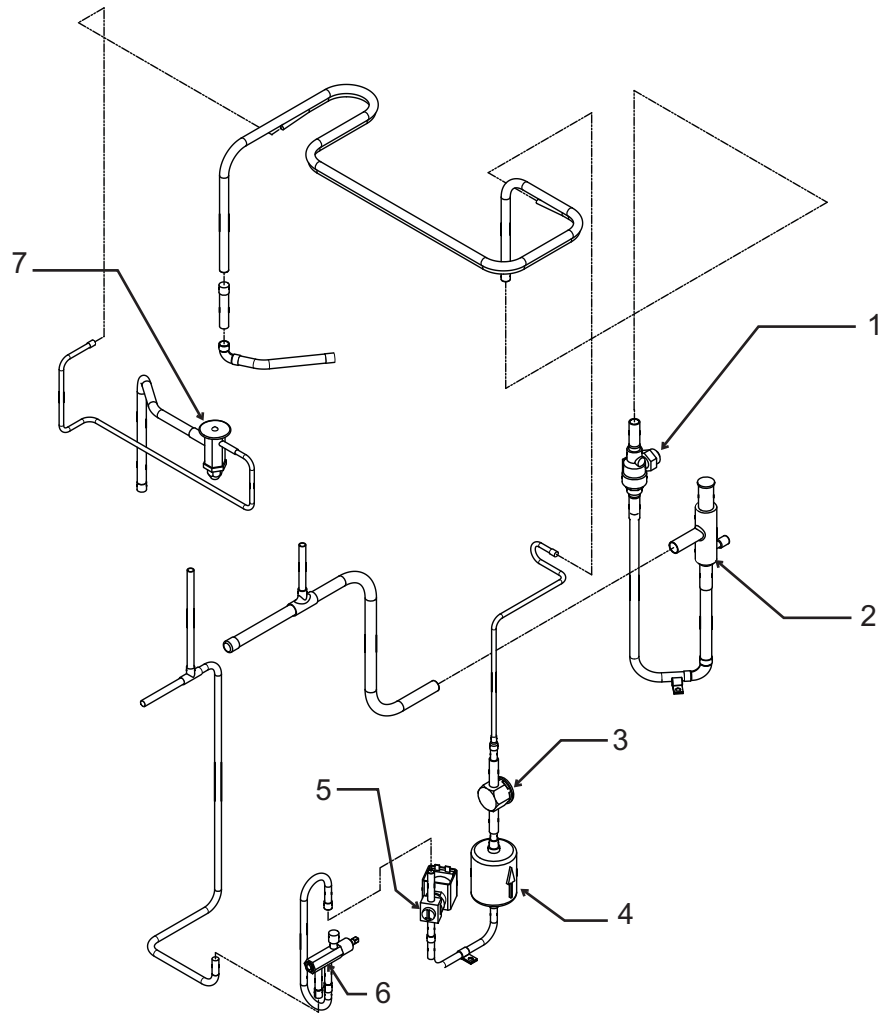


Item Number	Part Number	Description
1	A39524-021	Top panel, incl 1a, 1b
1a	02-4221-01	Left trim strip
1b	02-4221-02	Right trim strip
2	A39445-022	Right side panel, incl 2a and 5
2a	02-4215-01	Screw receptacle
3	A39444-024	Left side panel, incl 2a and 5
4	A39443-024	Front panel, complete. Includes 4a, 4b, 4c, 4d
4a	02-4214-01	Trim strip
4b	03-1735-03	Screw
4c	02-4284-01	Bezel
4d	02-4216-01	Gusset
5	A39571-001	Clip
6	A30911-015	Machine straps
7	03-1405-15	Cap screw
8	02-4284-02	Bezel, partial window

N0622L, F0822L, N0922L, F1222L, N1322L, F1522L

Service Parts

Refrigeration

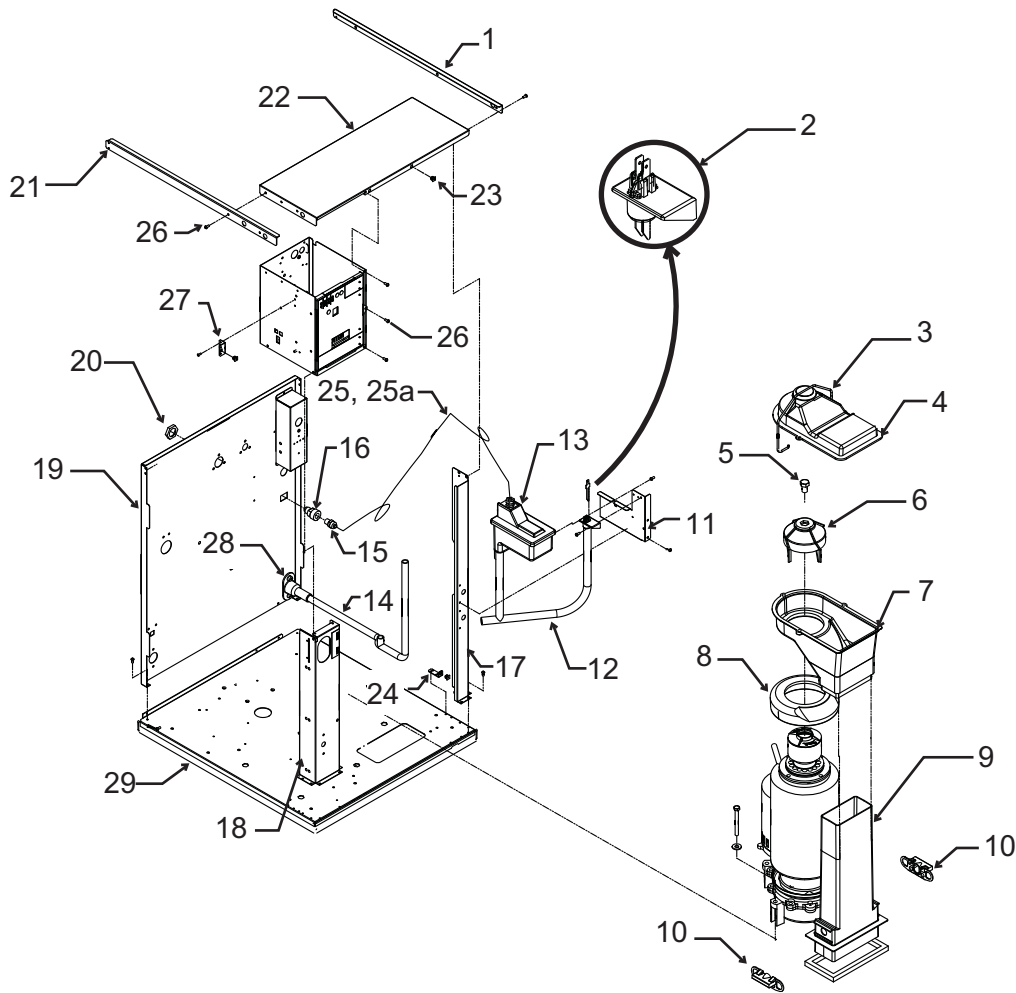


Item Number	Part Number	Description
1	11-0548-02	Ball valve
2	16-1143-01	EPR valve
3	16-0762-01	Sight glass
4	02-3319-02	Dryer
5	11-0493-02	Liquid line valve, 115 volt
6	16-1030-01	Liquid access valve
7	16-1144-22	TXV, N0622, F0822
	16-1144-24	TXV, N0922, F1222
	16-1144-23	TXV, N1322, F1522
	02-4406-01	Insulation, TXV

N0622L, F0822L, N0922L, F1222L, N1322L, F1522L

Service Parts

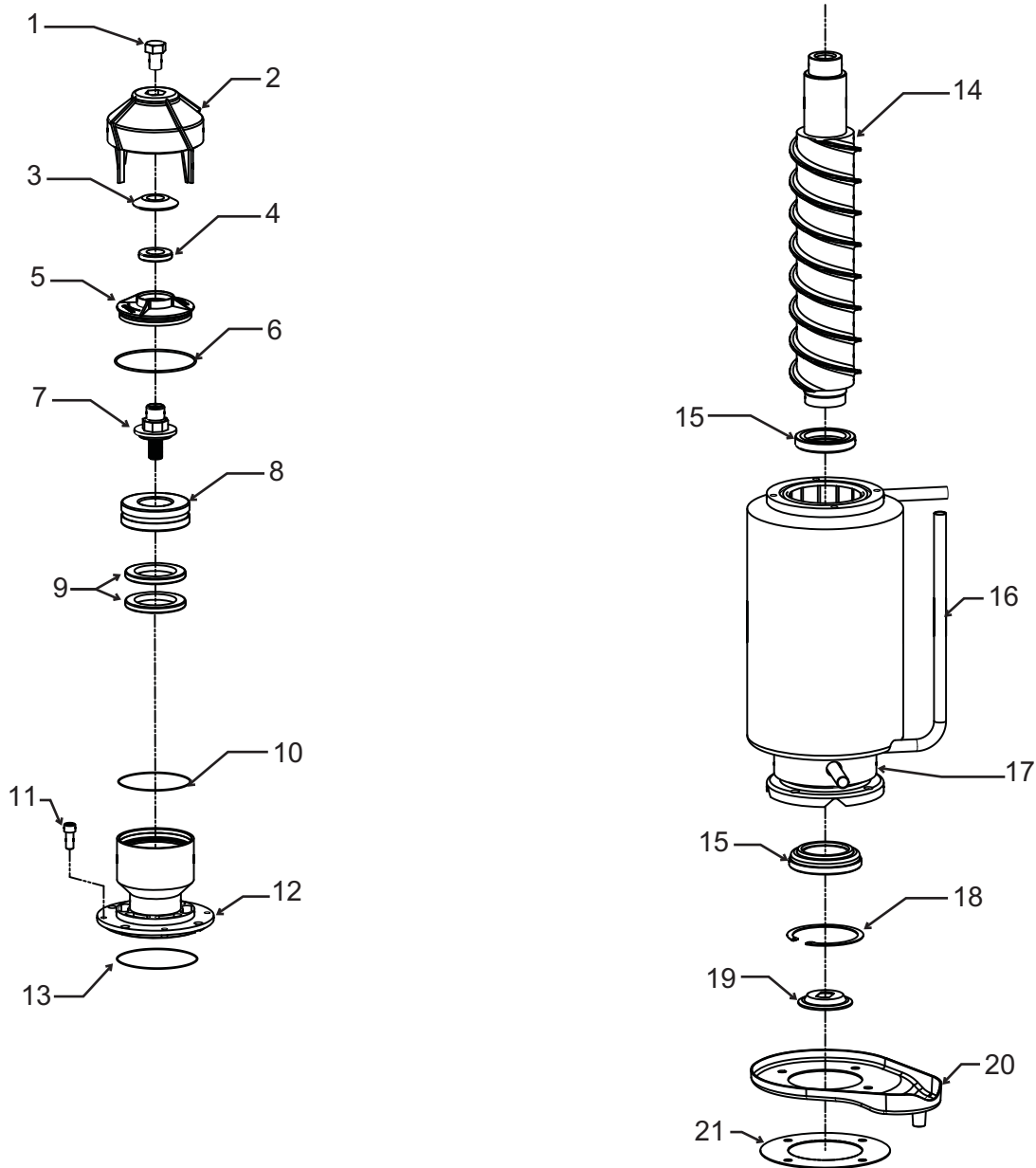
Water and Chute



Item Number	Part Number	Description
1	A39199-001	Right top channel
2	02-4449-21	Water sensor
3	A34969-001	Bail clamp
4	02-2930-04	Chute cover
5	03-1405-52	Cap screw
6	02-3001-01	Ice sweep
7	02-3841-01	Ice chute
8	13-0929-01	Insul collar, flaker
	13-0929-02	Insul collar, nuggets
9	02-2929-04	Ice chute, lower
10	A37708-021	Bin control set
11	A39200-001	Reservoir bracket
12	02-4338-01	Evaporator inlet hose
13	02-3371-01	Water reservoir & valve
	02-3371-02	Float and arm only
	02-3266-03	Plunger/seat only
14	02-4339-01	Drain hose
	15	16-1039-01 Connector, male
	16	16-0835-01 Flare fitting, male
	17	A39182-001 Post, right front
	18	A39184-001 Post, control box
	19	A39197-001 Back panel
	20	03-1394-01 Pal nut
	21	A39185-001 Left top panel
	22	A39181-001 Control box cover
	23	03-3804-01 Receptacle
	24	A38732-001 Panel mount
	25	13-0895-01 Tubing, order 3
	25a	16-0871-01 Insert (for valve end)
	26	03-1531-01 Screw
	27	A39025-001 Bracket
	28	02-3692-21 Drain fitting
	29	02-4524-21 Base assembly

N0622L, F0822L, N0922L, F1222L, N1322L, F1522L
Service Parts

N0622L, N0922L, N1322L Evaporator System

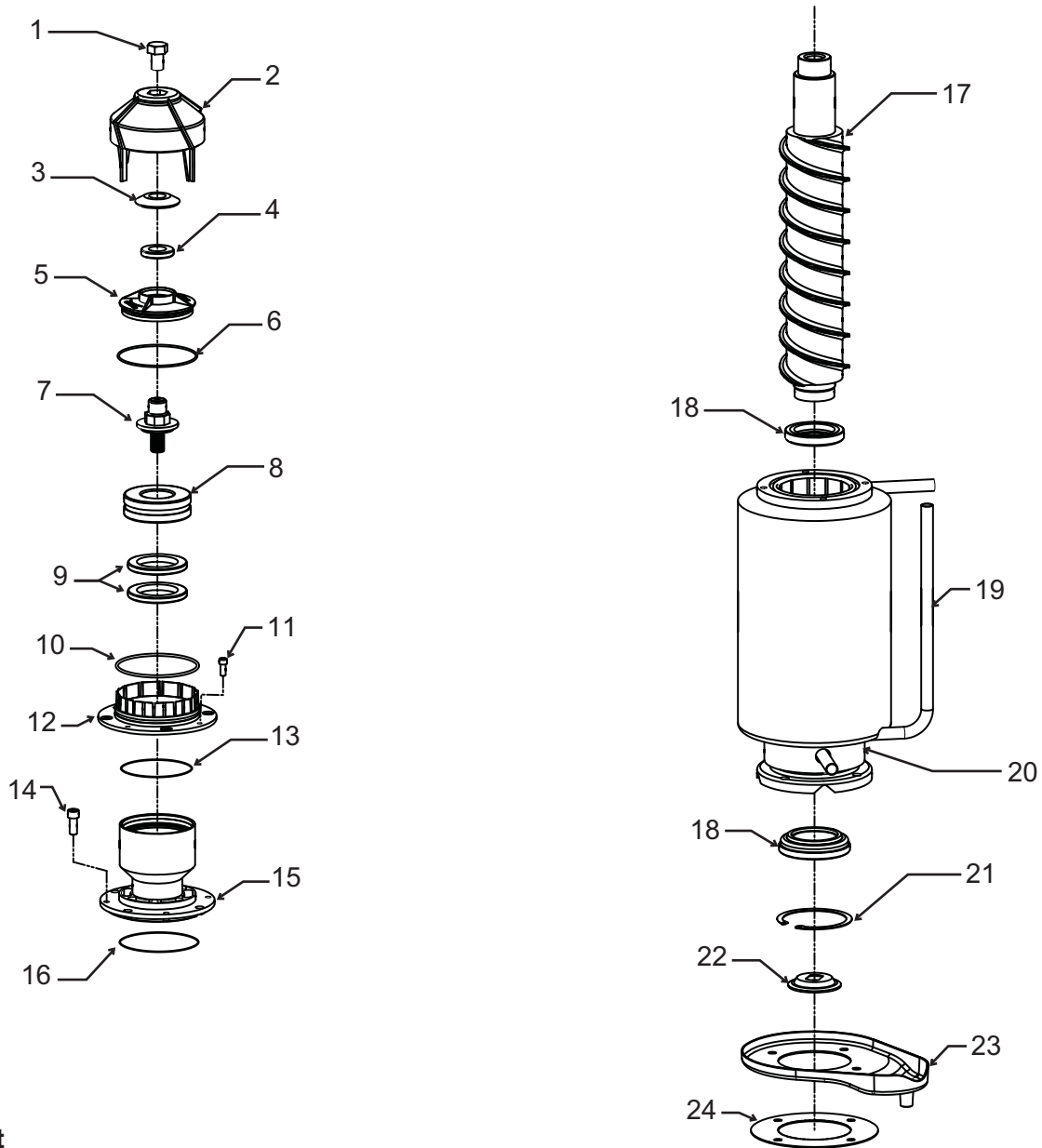


Item Number	Part Number	Description
1	03-1405-52	Cap screw
2	02-3001-01	Ice sweep
3	13-0871-01	Water shed
4	02-2978-01	Lip seal
5	02-3128-20	Cover, includes item 4
6	13-0617-54	O-ring
7	08-0660-01	Auger stud
8	A34559-020	Bearing
9	02-2977-01	Lip seal
10	13-0617-52	O-ring - to chute
11	03-1544-08	Screw, socket head
12	A32900-020	Nugget breaker assembly, includes items 3,4,5,6,8,9 and 13
13	13-0617-45	O-ring
14	A38071-021	Auger, N0622
	A38071-022	Auger, N0922, N1322
15	02-0929-23	Water seal
16	02-4350-21	Evaporator, N0622
	02-4352-21	Evaporator, N0922, N1322
17	02-4352-01	Collar
18	A32777-001	Retaining ring
19	13-0868-01	Water shed
20	02-3837-01	Drip pan
21	13-0704-00	Gasket

N0622L, F0822L, N0922L, F1222L, N1322L, F1522L

Service Parts

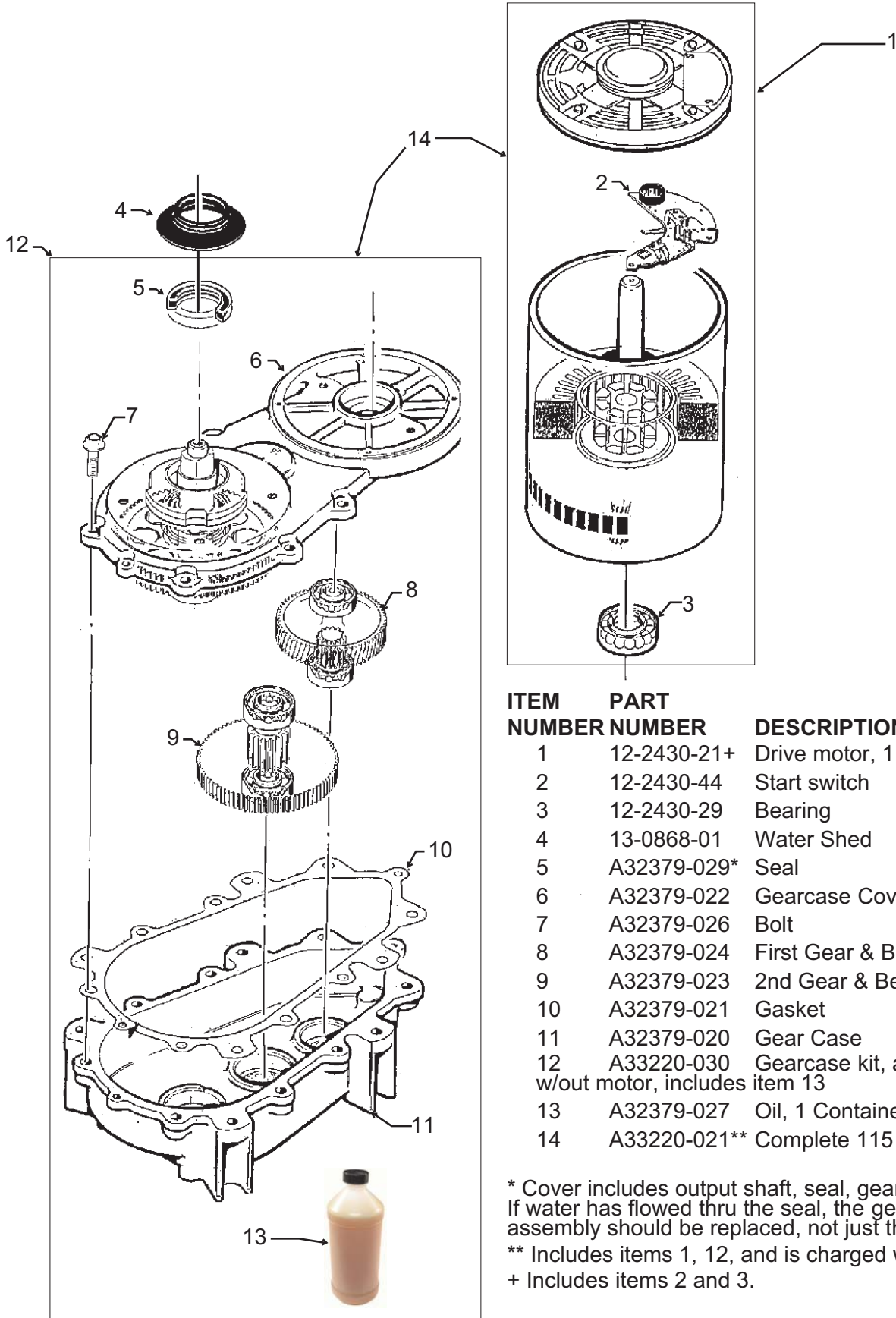
F0822L, F1222L, F1522L Evaporator System



Item Number	Part Number	Description
1	03-1405-52	Cap screw
2	02-3001-01	Ice sweep
3	13-0871-01	Water shed
4	02-2978-01	Lip seal
5	02-3128-20	Cover, includes item 4
6	13-0617-54	O-ring
7	08-0660-01	Auger stud
8	A34559-020	Bearing
9	02-2977-01	Lip seal
10	16-0617-52	O-ring, to chute
11	03-1403-27	Screw
12	02-2916-01	Slotted collar
13	13-0617-49	O-ring, under slotted collar
14	03-1544-08	Screw, socket head
15	A34505-020	Flaker breaker assembly, includes items 3,4,5,6,8,9, and 16
16	03-0617-45	O-ring
17	A38071-021	Auger, F0822
	A38071-022	Auger, F1222, F1522
18	02-0929-23	Water seal
19	02-4350-21	Evaporator, F0822
	02-4352-21	Evaporator, F1222, F1522
20	02-4358-01	Collar
21	A32777-001	Retaining ring
22	13-0868-01	Water shed
23	02-3837-01	Drip pan
24	13-0704-00	Gasket

Service Parts

Gear Reducer and Motor



ITEM NUMBER	PART NUMBER	DESCRIPTION
1	12-2430-21+	Drive motor, 115 volt
2	12-2430-44	Start switch
3	12-2430-29	Bearing
4	13-0868-01	Water Shed
5	A32379-029*	Seal
6	A32379-022	Gearcase Cover*
7	A32379-026	Bolt
8	A32379-024	First Gear & Bearings
9	A32379-023	2nd Gear & Bearings
10	A32379-021	Gasket
11	A32379-020	Gear Case
12	A33220-030	Gearcase kit, assembled w/out motor, includes item 13
13	A32379-027	Oil, 1 Container
14	A33220-021**	Complete 115 volt

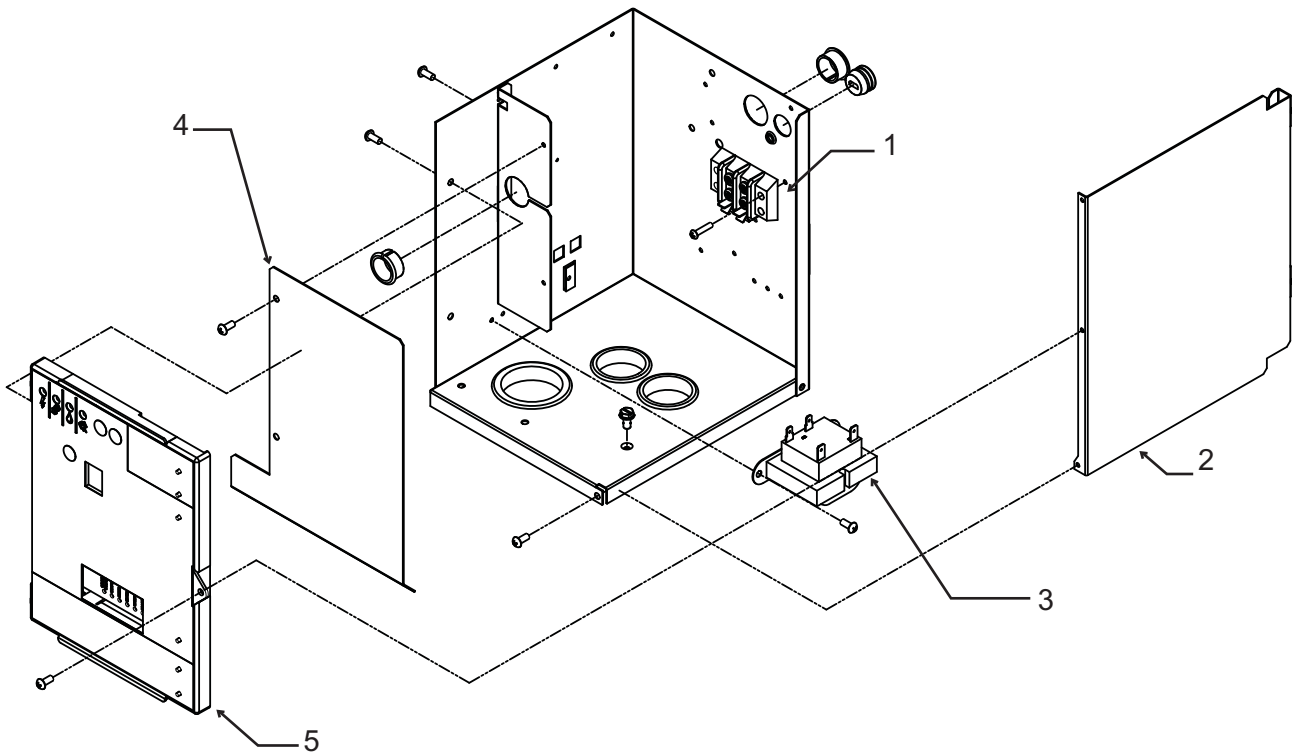
* Cover includes output shaft, seal, gear and bearings. If water has flowed thru the seal, the gearcase cover assembly should be replaced, not just the seal.

** Includes items 1, 12, and is charged with gear oil.

+ Includes items 2 and 3.

Service Parts

Electrical Control and Harnesses



Item Number	Part Number	Description
1	12-2780-01	Terminal block
2	A39198-001	Control box side cover
3	12-2924-01	Transformer, 115 volt
4	A39216-001	Shield
5	11-0575-22	Controller
	02-4407-01	Graphic overlay
	02-4076-01	Control box cover

Not Shown

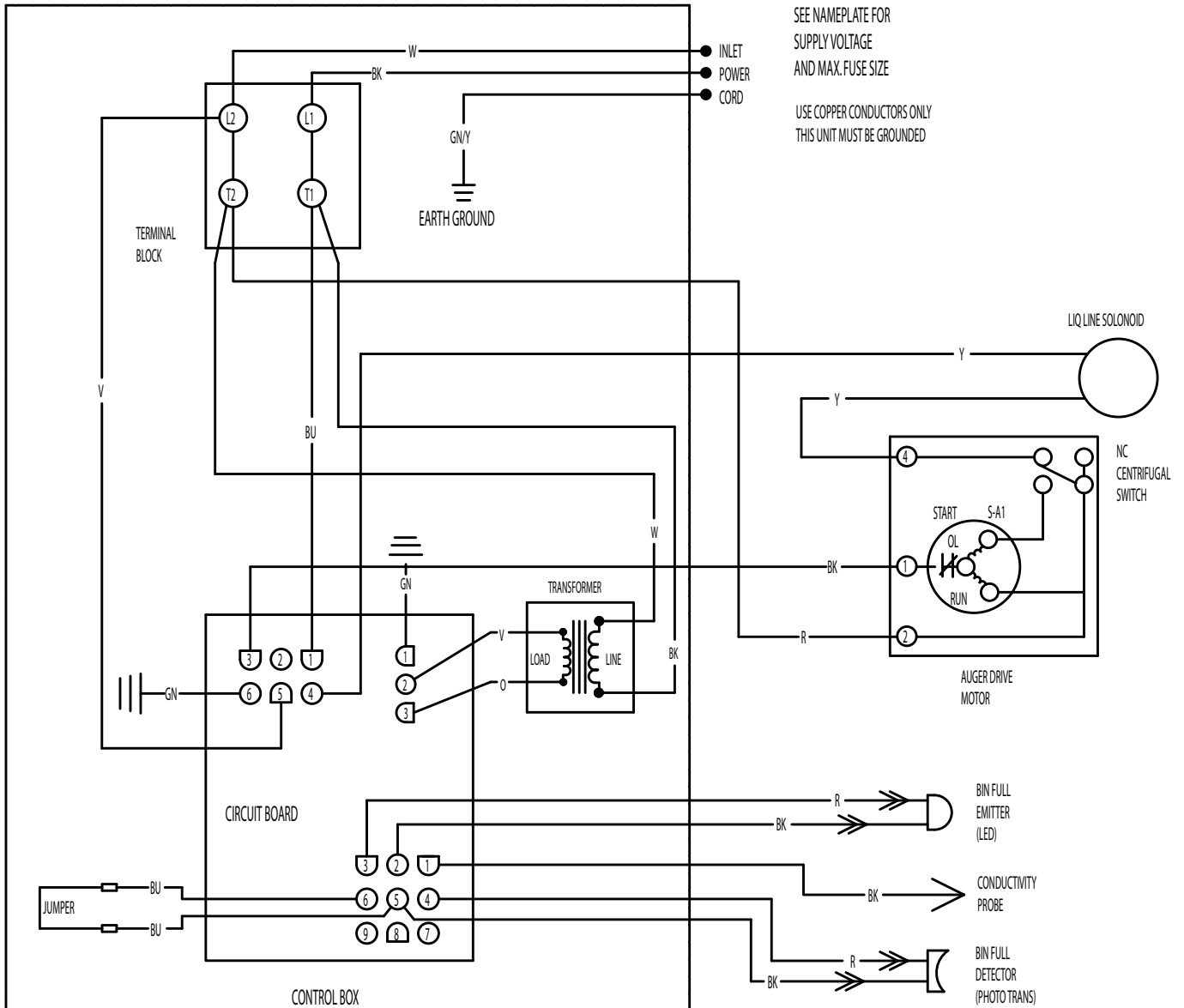
12-2977-01	High voltage harness
12-2976-01	Low voltage harness
12-1638-19	Power cord

N0622L, F0822L, N0922L, F1222L, N1322L, F1522L

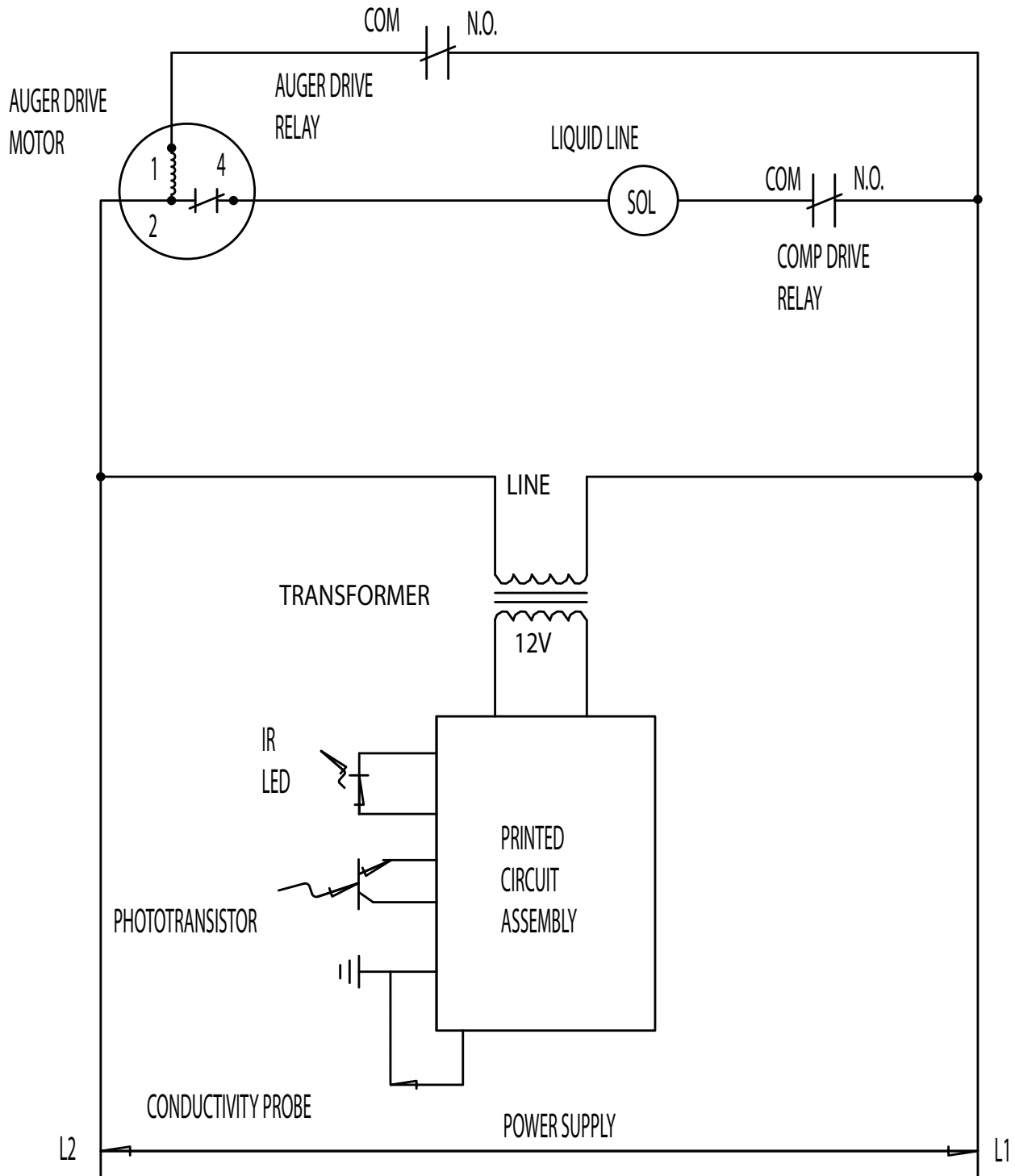
Service Parts

Wiring Diagram

17-3215-01



Schematic Diagram



ALL CONTROLS SHOWN IN
ICE MAKING MODE