

C0322 – 300 lb Cube Ice Machine

Prodigy Modular Cube Ice Maker

PRELIMINARY DRAFT


Shown on B322S bin.

Features

Prodigy cubers use **significantly less energy and water** than other cube ice machines, exceeding pending California and Federal energy efficiency regulations.

Auto-Alert™ indicator lights constantly communicate about operating status and actually signal your staff when it's time to descale, sanitize, and more—making upkeep practically foolproof.

The patented **WaterSense™ adaptive purge control** delivers maximum reliability by reducing scale buildup for a longer time between cleanings.

Preventative maintenance is simpler than ever with easily-removed panels allowing clear access to internal components and a diagnostic code display insuring the right fix the first time. Reusable air filter is easily removable from the outside.

All external panel components are crafted for **optimal aesthetic appeal** through superior fit and finish.

An optional **advanced feature SmartBoard™** provides NAFEM data protocol and additional operational data that can be displayed on-screen or transmitted remotely, resulting in early alert and fast diagnosis of operating issues.

An optional **Vari-Smart™ ultrasonic ice level control** sensor allows you flexibility to program ice levels, for up to 7 days, keeping just the right amount of freshly made ice in the bin.

24 Hour Volume Production

Air-Cooled			Water-Cooled		
70°F/21°C 50°F/10°C lb/kg	Air Water	ARI 90°F/32°C 70°F/21°C lb/kg	70°F/21°C 50°F/10°C lb/kg	Air Water	ARI 90°F/32°C 70°F/21°C lb/kg
356/161		244/111	361/164		329/149



Modular Bin Options

Model Number	Dimensions W" x D" x H"	ARI Certified Bin Capacity lb/kg	Application Capacity lb/kg	Finish	Ship Weight lb/kg
B222S	22 x 34 x 32	190/86	242/110	SS	120/55
B322S	22 x 34 x 44	290/132	370/168	SS	140/64
BH360S	22 x 31 x 44	275/125	374/170	SS	136/62



Bin: B222S

Cube Sizes

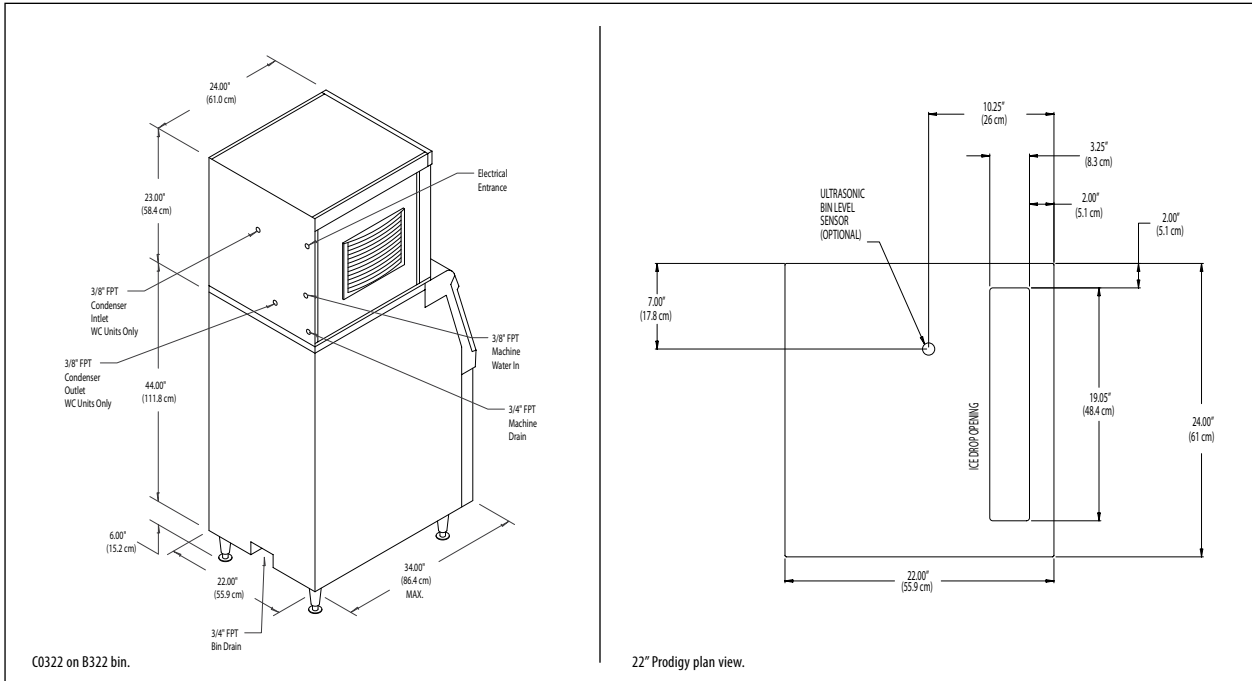

 Small Cube
 $\frac{7}{8}$ " x $\frac{7}{8}$ " x $\frac{3}{8}$ "
 (2.22 x 2.22 x .95 cm)

 Medium Cube
 $\frac{7}{8}$ " x $\frac{7}{8}$ " x $\frac{7}{8}$ "
 (2.22 x 2.22 x 2.22 cm)

Warranty

- 3 years parts and labor on all components.
- 5 years parts and labor on the evaporator.
- 5 years parts on the compressor and condenser.

Warranty valid in North, South & Central America.
Contact factory for warranty in other regions.



Specifications

Model Number* Cube Size: medium or small	Condenser Unit	Basic Electrical Volts/Hz/Phase	Max. Fuse Size or HACR Circuit Breaker (amps)	Circuit Wires	Min. Circuit Ampacity	Power Consumption kWh/100 lb (45.4 kg) 90°F(32°C)/70°F(21°C)	Water Usage Gallons/100 lb (45.4 kg)	
							Potable 90°F(32°C)/ 70°F(21°C)	Condenser 90°F(32°C)/ 70°F(21°C)
C0322MA-1A	Air	115/60/1	15	2	12.7	6.7	19.3	-
	Water	115/60/1	15	2	11.9	4.7	18.3	138.0
C0322SA-1A	Air	115/60/1	15	2	12.7	6.7	19.3	-
	Water	115/60/1	15	2	11.9	4.7	18.3	138.0

* 208-230/60/1 Voltage - Substitute "-32" in place of "-1", i.e. C0322SA-32A.

All Models

Dimensions (W x D x H):
Unit: 22" x 24" x 23"
(55.9 x 70.0 x 58.4 cm)
Shipping Carton: 25.5" x 27.5" x 28"
(64.8 x 69.9 x 71.1 cm)

Shipping Weight - 145 lb / 66 kg
BTU's per hour - 2,100

Accessories

Model Number	Description
KVS	Vari-Smart™ Ice Level Control - Program ice bin levels to match ice needs.
KSB	Smart-Board™ - Use additional operational data for fast diagnosis.

* Scotsman recommends all ice machines have water filtration. See Scotsman Sanitation Matrix for details.

Operating Requirements

	Minimum	Maximum
Air Temperatures	50°F (10°C)	100°F (38°C)
Water Temperatures	40°F (4.4°C)	100°F (38°C)
Remote Cond. Temps	-20°F (-29°C)	120°F (49°C)
Water Pressures	20 PSIG (1.4 bar)	120 PSIG (8.3 bar)
Electrical Voltage	-10%	+10%