

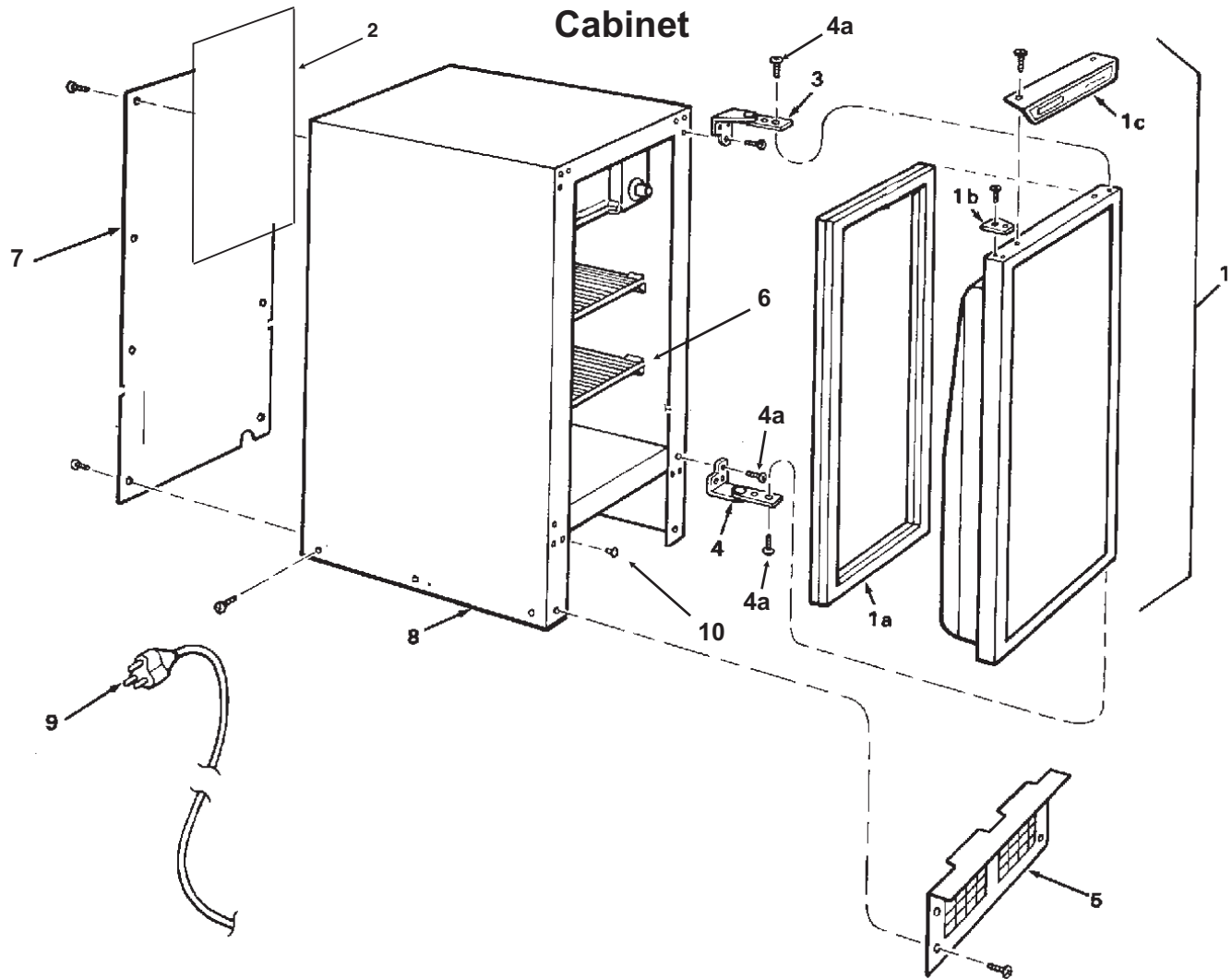
RFE33 SERVICE PARTS

This is the parts list for the RFE33 Refrigerator.
It covers all models of the refrigerator, so be
certain to check the model and serial number
before ordering parts.

Table of Contents

Cabinet	page 2
Freezing compartment	page 3
Condensing unit	page 4
Wiring Diagrams	page 5

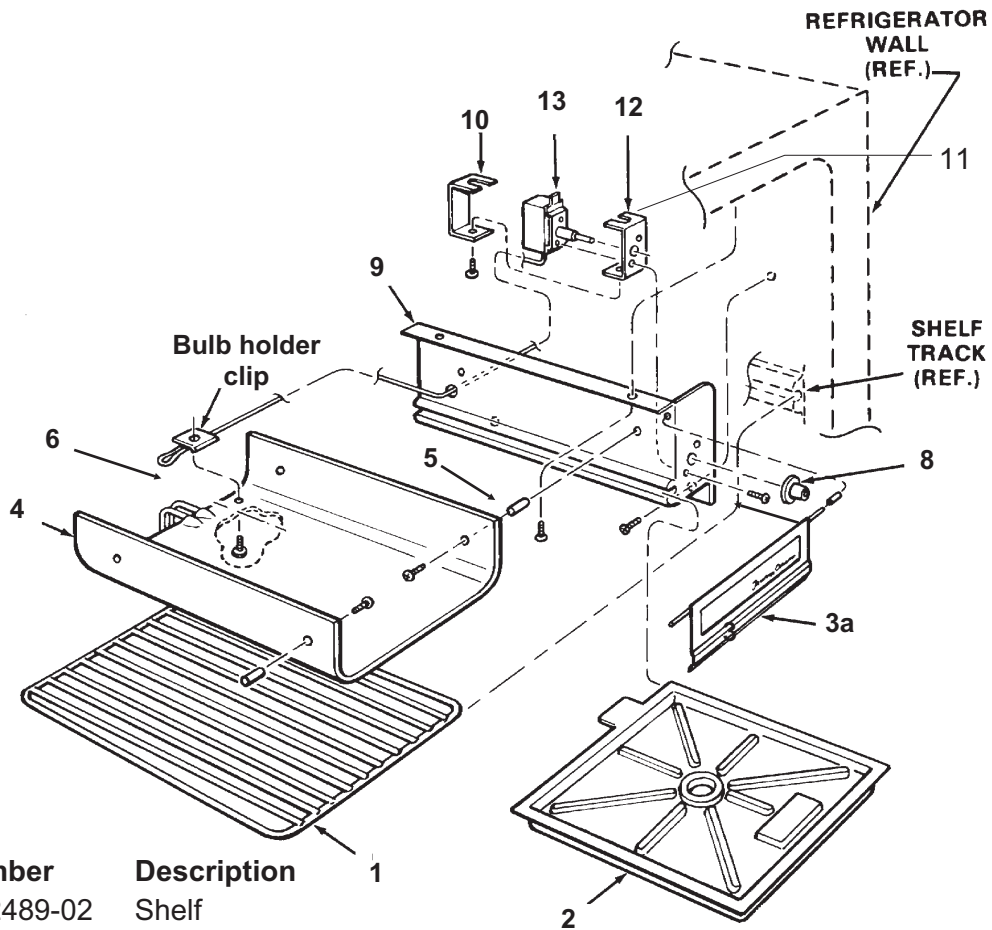
RFE33 SERVICE PARTS



Item Number	Part Number	Description	Item Number	Part Number	Description
1	A35364-008	Door with alum. trim (white panel)	3	15-0799-01	Hinge
	A35364-010	Door with black panel	4	15-0799-02	Hinge
1a	13-0825-01	Gasket, white	4a	03-1418-24	Screw for hinge
	13-0825-03	Gasket, grey	5	02-2243-02	Kickplate
1b	15-0648-02	Left side filler plate	6	02-2489-02	Shelf
	15-0648-01	Right side filler plate (shipped w/product as spare)	7	A35546-001	Back panel (white)
	03-1418-24	Screw for alum door		A35546-002	Back panel (black)
	03-1418-40	Screw for brass door	8	not available	Cabinet & liner
1c	A29044-001	Handle, alum for white	9	12-1638-17	Power cord
	A29044-003	Handle for black	10	02-2481-01	Plug button (white)
	03-1607-01	Screw for alum door		02-2481-02	Plug button (black)
	15-0731-01	Emblem label (white)	11	02-3081-02	Door rod - top
	15-0731-02	Emblem label (black)	12	02-3081-01	Door rod - bottom
2	02-3256-01	Insulation & bag			

RFE33 SERVICE PARTS

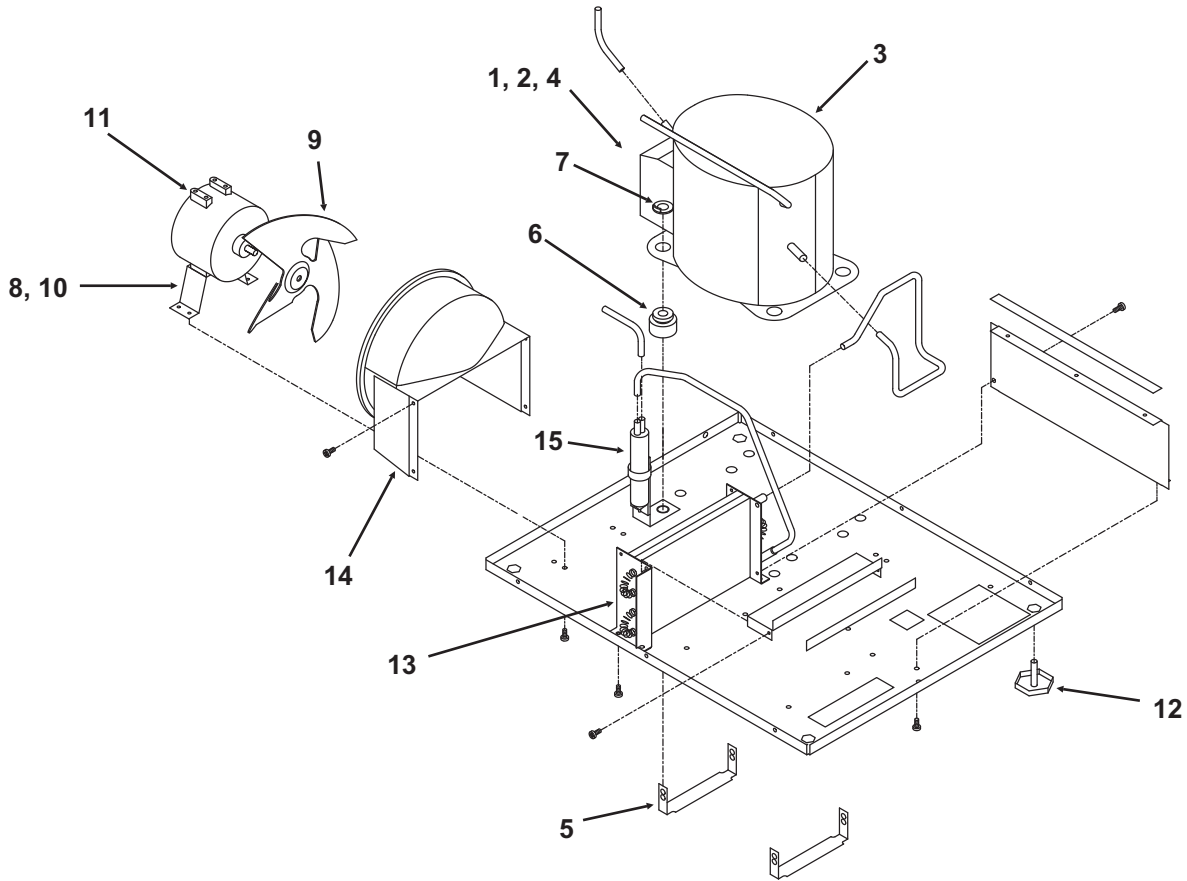
Freezing Compartment



Item Number	Part Number	Description
1	02-2489-02	Shelf
2	02-2506-01	Drip pan
3	02-2507-01	Freezing compartment door
3a	02-2509-01	Bushing
4	A29423-001	Evaporator
5	02-2505-01	Spacer
6	03-3884-01	Nut, nylon
	03-3885-01	Washer, nylon
	03-1691-01	Screw, nylon
7	A35548-001	Suction line (not illustrated)
8	15-0657-01	Knob
8a	17-1432-01	Temp label
9	02-2823-01	Thermostat housing
	03-1611-01	Screw
10	A32074-001	Cover, goes with item 12
11	03-1404-33	Screw
12	A32073-001	Base, goes with item 10
13	11-0442-22	Thermostat
	12-1213-06	Bushing
	13-0557-00	Grommet

RFE33 SERVICE PARTS

Condensing Unit



Item Number	Part Number	Description
1	18-8802-52	Overload
2	18-8802-55	Relay, with overload and cover.
3	18-8802-21	Compressor
4	18-8802-53	Terminal Cover
5	A35632-001	Bracket, compressor mounting
6	18-8861-01	Grommet
7	03-3821-01	Pin (not shown)
	03-1407-08	Washer
8	03-1531-01	Screw
9	02-4197-01	Blade, fan
10	A28798-001	Bracket, mounting
11	12-2927-01	Fan motor
12	03-1608-01	Leveler, Leg
13	18-8712-01	Condenser
14	02-2871-01	Fan shroud
15	02-3490-01	Drier

RFE33 SERVICE PARTS

Wiring Diagram

