

SCOTSMAN®

SlimLine Cubers™

for Counter Top Ice/Beverage Dispenser

ITEM NO.

C.S.I. File No. 11400



SLE400
shown
with
RS160

Now you can put a Scotsman ice machine and ice/beverage dispenser where you never could before because of limited counter space. At the same time, you can gain all the benefits and service support of Scotsman. The ice machine uses R-404A refrigerant.

The combination of a Scotsman 22" cuber ice machine with a counter top ice/beverage or ice dispenser boasts the most comprehensive package of features available in the marketplace today. Ideal for convenience stores, restaurants, specialty restaurants, fast food houses, cafeterias, and hotel food service applications.

VOLUME PRODUCTION

- SLE300 produces up to 290 lbs. of ice in 24 hours.
- SLE400 produces up to 400 lbs. of ice in 24 hours.
- Produces crystal clear cube ice for better drink quality. Fills glass easier.
- RS160 dispenser holds 160 lbs. of ice in its 22" width.

RETROFIT FLEXIBILITY

- Can be adapted to other 22" wide dispensers on the market today - such as REMCOR, SERVEND, SITCO, or CORNELIUS.

SIMPLIFIES OPERATIONS

- Eliminates need for manual filling.
- Reduces labor costs.
- Can lower insurance rates by reducing spilled ice on the floor.
- No need to buy ice.

EASY TO SERVICE

- Convenient front access for cleaning, maintenance, and adjustments.

WARRANTY PROTECTION

See Dealer for details of Limited Warranty.

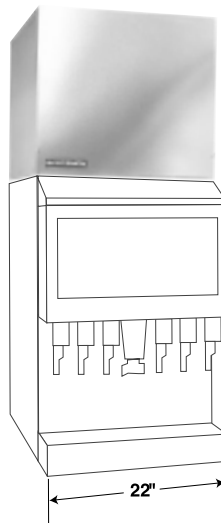
Cubers

- 3 Years parts and labor on all components.
- 5 Years parts and labor on evaporator.
- 5 Years parts on compressor and condenser.

Dispensers (RS & IS)

- 2 Years parts.
- 1 Year labor.

Can be adapted to popular ice or beverage dispensers that are 22" wide (REMCOR, SERVEND, SITCO, CORNELIUS, etc.)

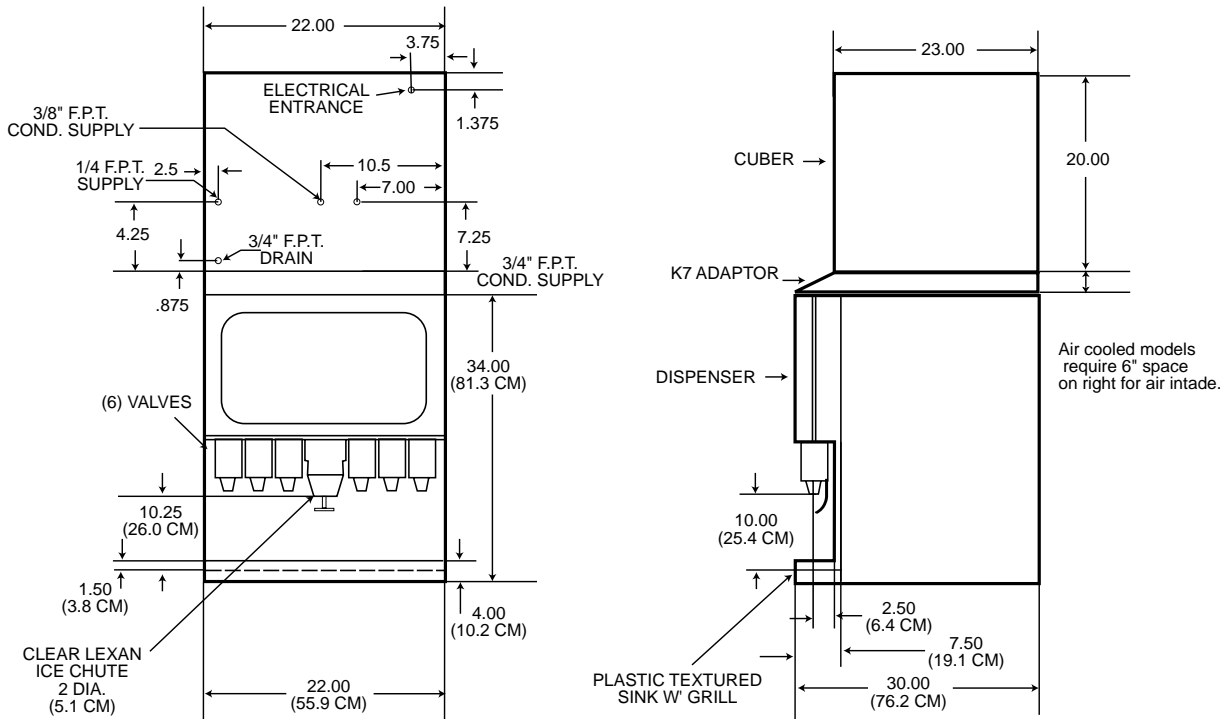


SCOTSMAN®
Ice Systems The World Relies On.™

This product qualifies for the following listings:



Consultant/Contractor Approval



All models: Dimensions: W x D x H Unit: 22" x 23" x 20"

Shipping Carton: 26" x 26" x 26"

Model Number	Cond. Unit	Lbs. Ice 24 hours at 90° F	Air Water 70 50	Finish*	Basic Electrical	Max. Fuse Size	Comp. HP	Min. No. of Wires	Min. Circuit Ampacity†	Shipping Weight lbs./kg.	KWH/100 lbs./90/70	Water Usage Gal./100 lbs.	Condenser Gal. lbs.
SLE300AS-1A	Air	222	290	SS	115/60/1	20	3/4	2	17.3	155/70	11.1	13.9	-
SLE300WS-1A	Water	213	260	SS	115/60/1	20	3/4	2	15.8	155/70	10.1	13.9	131
SLE400AS-1A	Air	350	400	SS	115/60/1	25	3/4	2	22.3	165/74	9.3	14.0	-
SLE400WS-1A	Water	366	400	SS	115/60/1	20	3/4	2	18.0	165/74	7.8	13.7	133
SLE400RS-32A	Remote	327	360	SS	208-230/60/1	20	3/4	2	16.5	165/74	9.1	12.7	-

REFRIGERANT: Machine uses R-404A

REMOTE CONDENSER FOR USE WITH:

Ice Machine Model Number	Condenser Model Number	Dimensions W" x D" x H" (Without Legs)	Condenser Unit	Finish	Basic Electrical Volts/Hz/Phase	No. of Wires	Min. Circuit Ampacity	Max. Fuse Size	Ship. Weight lbs./kg.
SLE400RS-32A	RCE400-32A	18 1/2" x 20 3/4" x 23 3/4"	Air	Galvanized	208-230/60/1	2	16.5	20	60/27

Above ice machines for use with Scotsman RS160 Ice/Beverage Dispenser or IS160 Ice Dispenser

Model Number	Dimensions W" x D" x H"	Storage Cap.	• Finish	Basic Electrical	Min. Circuit Ampacity	Max. Fuse Size	Ship. Weight lbs./kg.
RS160-1B	22 x 32 x 34	160 lbs.	SS	115/60/1	2	15	230/104
IS160-1B	22 x 32 x 34	160 lbs.	SS	115/60/1	2	15	130/59

* Available in stainless steel (SS).

† Use this value to determine minimum wire size as per National Electrical Code Standards.

Scotsman Slim Line cubers fit these and other popular brand dispensers with these accessories.

Model Number	For Use With
K1A	Sleeve/Adaptor For Manual Fill SCOTSMAN RS160, IS160, Remcor DB150
K2A	Capability With Top Mounted Slim Line Cuber
K3A	Filler Plate/Adaptor RIMCOR TJ90
K4A	Filler Plate/Adaptor SERVEND K23
K5A	Filler Plate/Adaptor SITCO 2020
K7	6" High Sleeve/Adaptor for Manual Fill CORNELIUS 2428 Optional Item for use with the above Non-Scotsman Dispensers