

SCCG30 & SCCP30 Service Parts

This is the illustrated parts list for the SCCG30 and the SCCP30 Residential Ice Machines

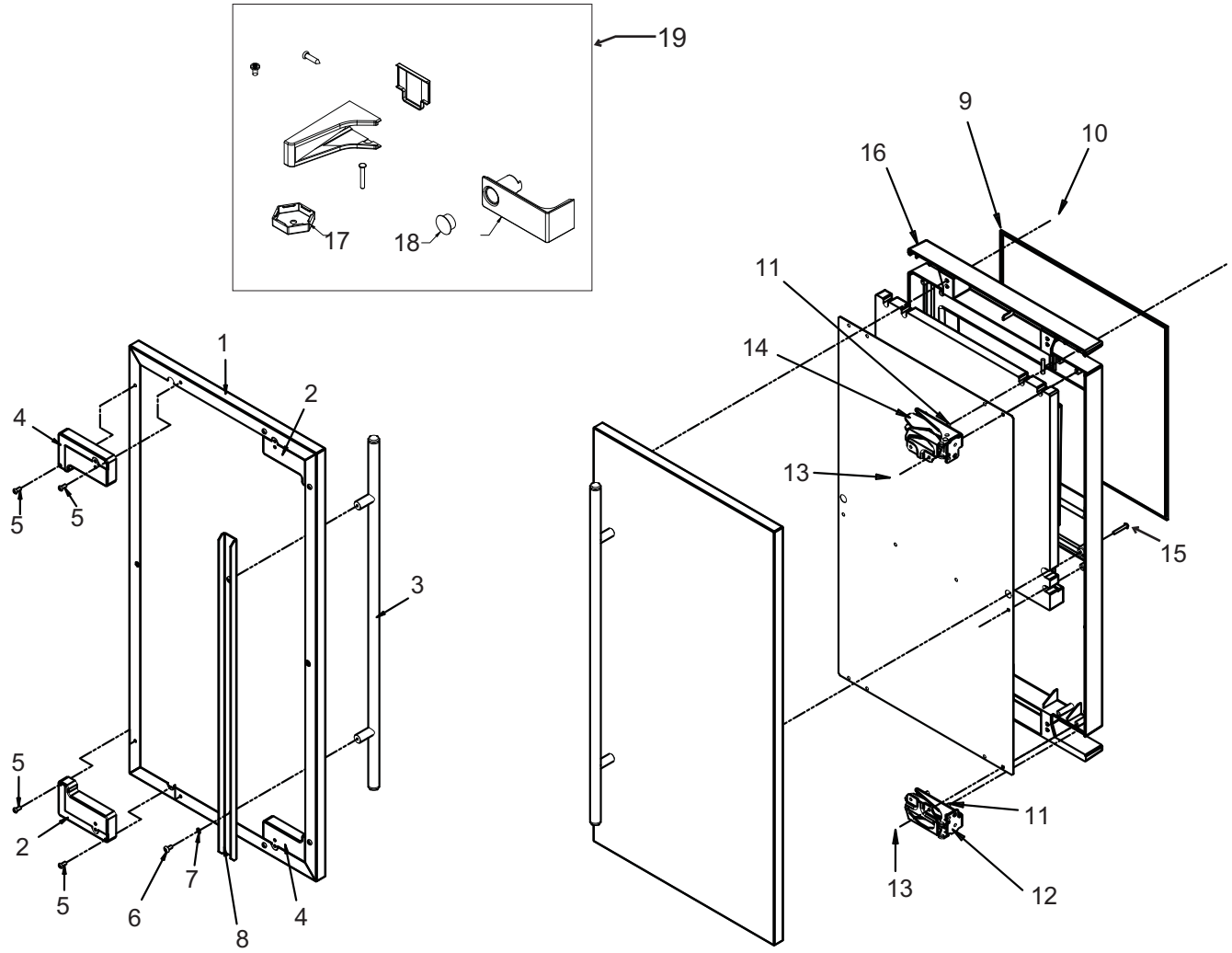
When ordering a service part, always refer to the complete model number of the equipment being repaired to be sure of obtaining the correct part. Many times there are slight differences between models, and having the complete model number will aide in selecting the correct part.

Table of Contents

Door	Page 2
Cabinet	Page 3
Reservoir and Spray Pump	Page 4
Under Bin Parts	Page 6
Control System	Page 7
Schematic Diagram	Page 8
Wiring Diagram	Page 9

SCCG30 & SCCP30 Service Parts

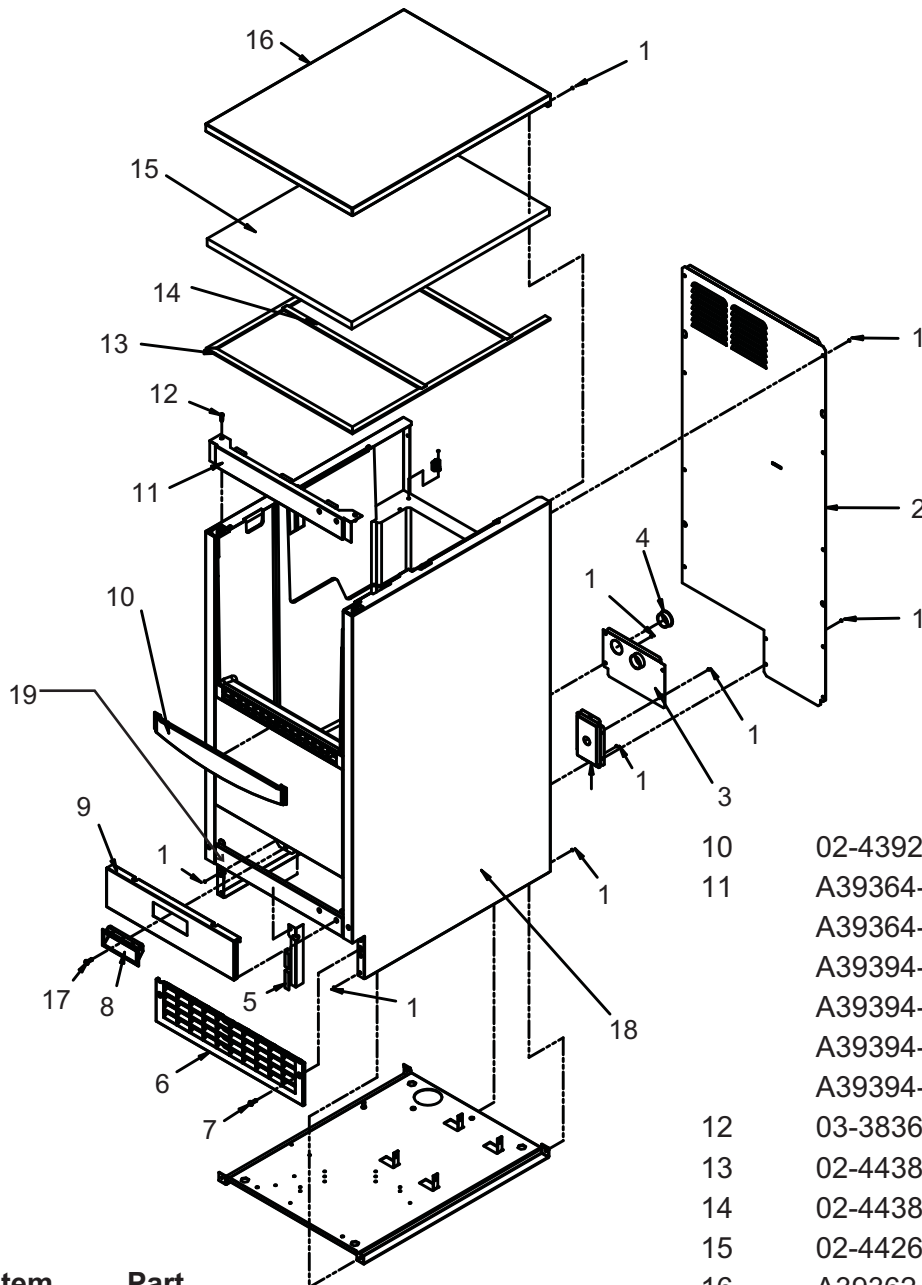
Door



Item Number	Part Number	Description	Item Number	Part Number	Description
1	KDFS	Door panel kit. Kit includes items 1 thru 8.	12	02-3866-04	Hinge - top right/bottom left
2	02-4433-01	Corner block, RH	13	03-1404-24	Screw - hinge to door
3	02-4430-01	Handle, SS	14	02-3866-03	Hinge
4	02-4433-02	Corner block, LH	15	03-1403-67	Screw
5	03-1531-01	Screw	16	A39513-001	Door assembly, does not include door panel or hinges
6	03-3811-01	Screw	17	02-4415-20	Leg cap, pack of 4
7	03-1410-07	Lockwasher	18	02-1875-07	Hole plug
8	A39390-001	Support bracket	19	02-4474-01	Hinge package
9	13-0949-01	Door gasket			
10	03-1404-40	Screw			
11	03-3818-01	Screw - hinge to cabinet			

SCCG30 & SCCP30 Service Parts

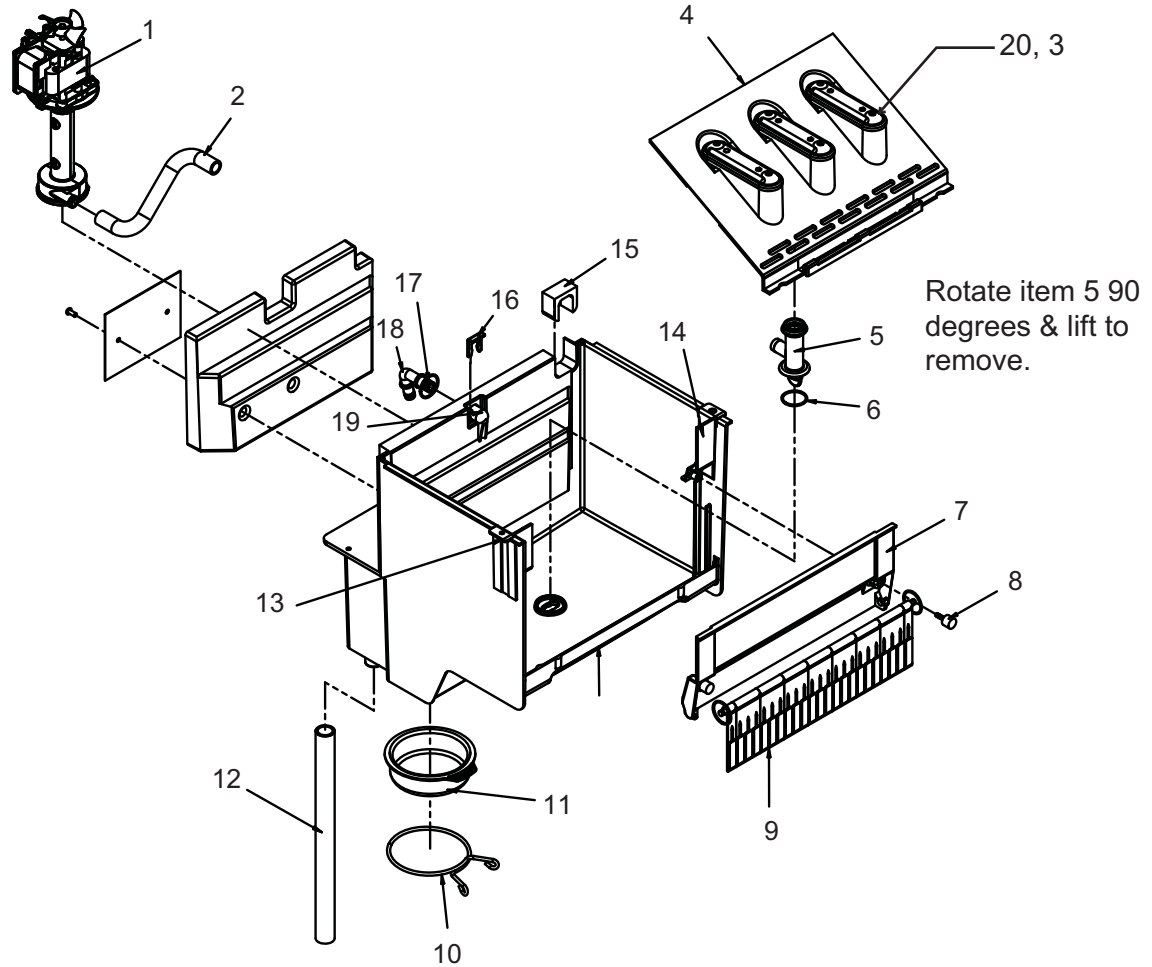
Cabinet



Item Number	Part Number	Description
1	03-1531-01	Screw
2	A39363-001	Back panel
3	A39389-001	Utility routing bracket
4	12-1213-11	Snap bushing
5	A39392-001	Srv panel mntg bracket
6	02-4390-01	Kickplate
7	03-1403-86	Screw
8	02-4441-01	Panel handle
9	A39381-001	Service panel, white
	A39381-002	Service panel, black
	A39381-003	Service panel, SS
10	02-4392-01	Bin edging
11	A39364-001	Top hinge brkt, RH white
	A39364-002	Top hinge brkt, RH black
	A39394-003	Top hinge brkt, RH SS
	A39394-004	Top hinge brkt, LH white
	A39394-005	Top hinge brkt, LH white
	A39394-006	Top hinge brkt, LH SS
12	03-3836-03	Screw
13	02-4438-01	Gasket
14	02-4438-02	Gasket strip
15	02-4426-01	Insulation pad
16	A39362-001	Top panel, white
	A39362-002	Top panel, black
	A39362-003	Top panel, SS
17	03-1403-86	Screw
18	A38378-001	White cabinet & bin
	A39378-002	Black cabinet & bin
	A39378-003	SS cabinet & bin
19	A39385-001	Btm hinge brkt, right white
	A39385-002	Btm hinge brkt, right black
	A39385-003	Btm hinge brkt, right SS
	A39385-004	Btm hinge brkt, left white
	A39385-005	Btm hinge brkt, left black
	A39385-006	Btm hinge brkt, left SS

SCCG30 & SCCP30 Service Parts

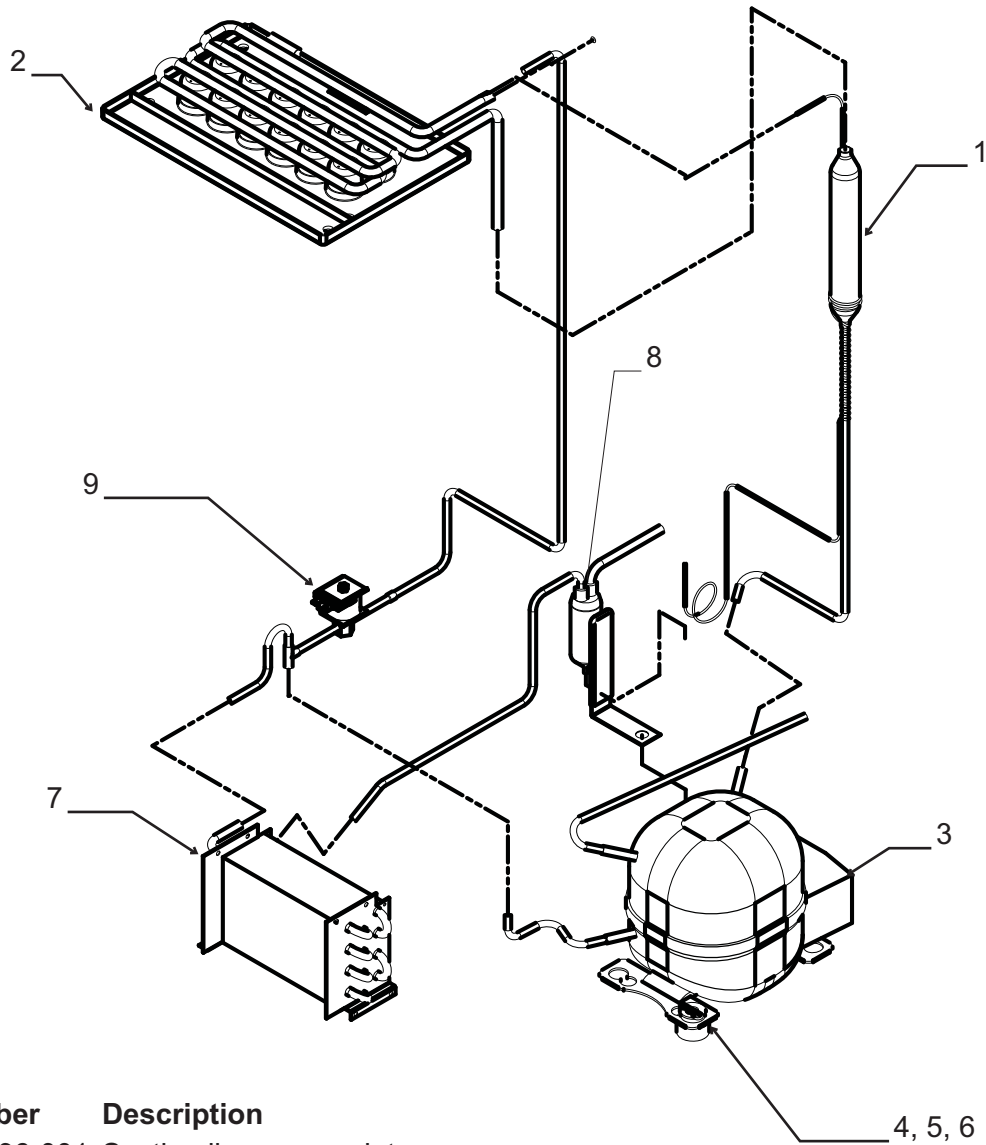
Reservoir and Spray Pump



Item Number	Part Number	Description
1	12-2986-21	Water pump
2	02-4379-01	Pump discharge hose
3	02-4370-21	Spray nozzle, kit. Set of 3 nozzles, o-rings, screws and nuts.
4	02-4371-02	Spray platform
5	02-4368-01	Water Tee
6	13-0617-11	O-ring
7	02-4365-01	Front bracket
8	03-3892-01	Thumb screw
9	A39357-001	Curtain
10	02-4383-01	Clamp
11	02-4508-01	Drain cap
12	02-4428-01	Drain tube
13	02-4375-01	Evap bracket, left
14	02-4375-02	Evap bracket, right
15	02-4475-01	Grommet
16	02-4381-03	Clip
17	13-0617-04	O-ring
18	02-4381-01	Barbed fitting
19	02-4381-02	Spout
20	02-4373-01	O-ring

SCCG30 & SCCP30 Service Parts

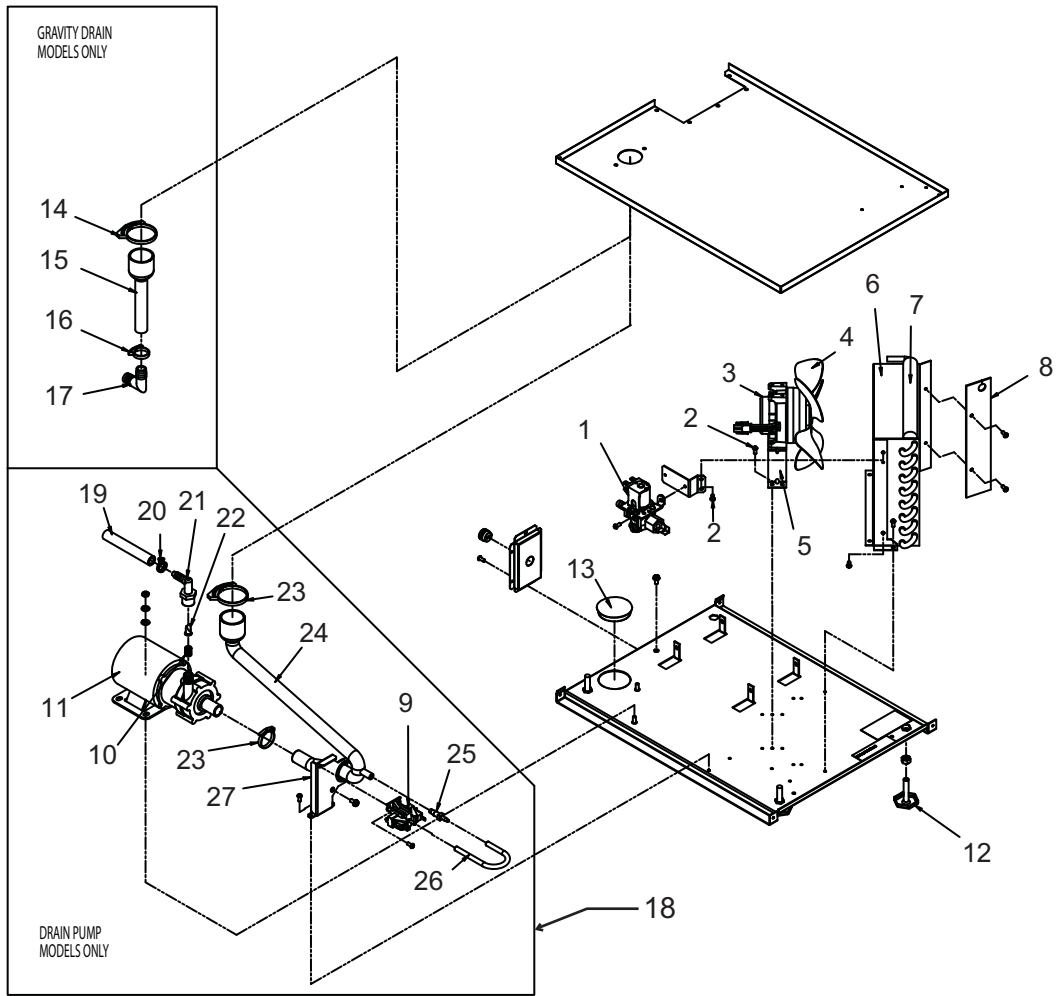
Refrigeration System



Item Number	Part Number	Description
1	A39396-001	Suction line accumulator assy
2	02-4376-02	Evaporator
3	18-8776-21	Compressor
Compressor includes overload, relay and drier		
3a	18-8776-52	Overload
3b	18-8776-51	Relay
4	03-3821-01	Clip
5	03-1407-08	Washer
6	18-4700-28	Grommet
7	18-8940-01	Condenser
8	02-4416-01	Drier
9	11-0562-21	Hot gas valve
9a	11-0562-22	HGV coil

SCCG30 & SCCP30 Service Parts

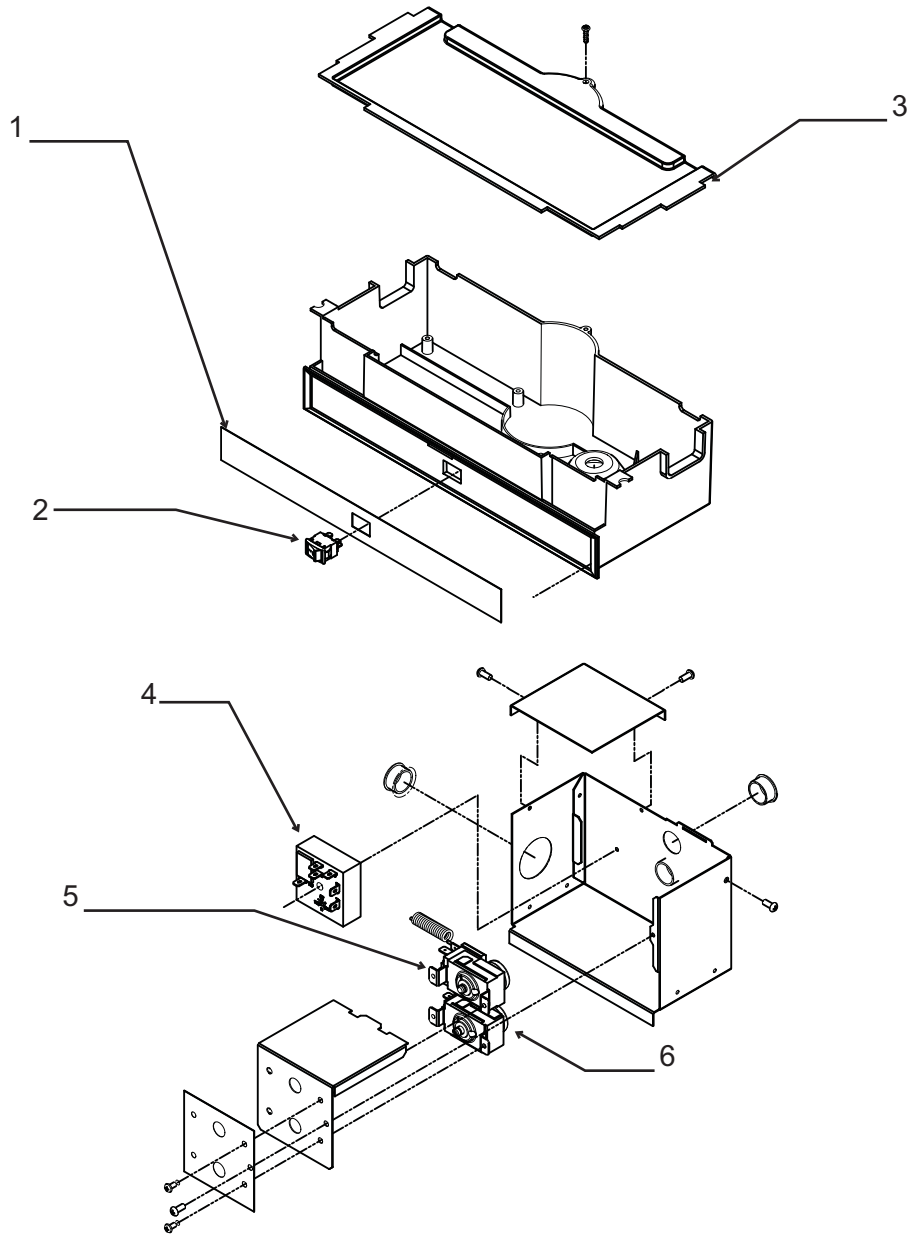
Under Bin Parts



Item Number	Part Number	Description
1	12-2990-01	Inlet water sol valve
2	03-1531-01	Screw
3	12-3024-01	Fan motor
4	02-4197-01	Fan blade
5	A39556-001	Fan motor bracket
6	A39460-001	Fan shroud
7	13-0909-01	Gasket, order 1 & cut to fit
8	02-4450-01	Air baffle
9	11-0504-01	Pressure switch
10	03-3904-01	Spring
11	12-2503-21	Pump & motor only
12	03-1608-01	Leg leveler
13	02-1875-18	Hole plug
14	02-2814-13	Hose clamp
15	02-4412-01	Drain hose
16	02-2814-08	Hose clamp
17	16-0671-01	Elbow
18	A39462-021	Pump kit
19	A37334-001	Discharge hose
20	02-0534-02	Hose clamp
21	02-3522-01	Elbow
22	02-3374-01	Check valve
23	02-2814-13	Hose clamp
24	02-4413-01	Drain tube
25	02-3406-01	Barbed connector
26	05-0591-01	Switch hose
27	A39370-001	Switch bracket

SCCG30 & SCCP30 Service Parts

Control System



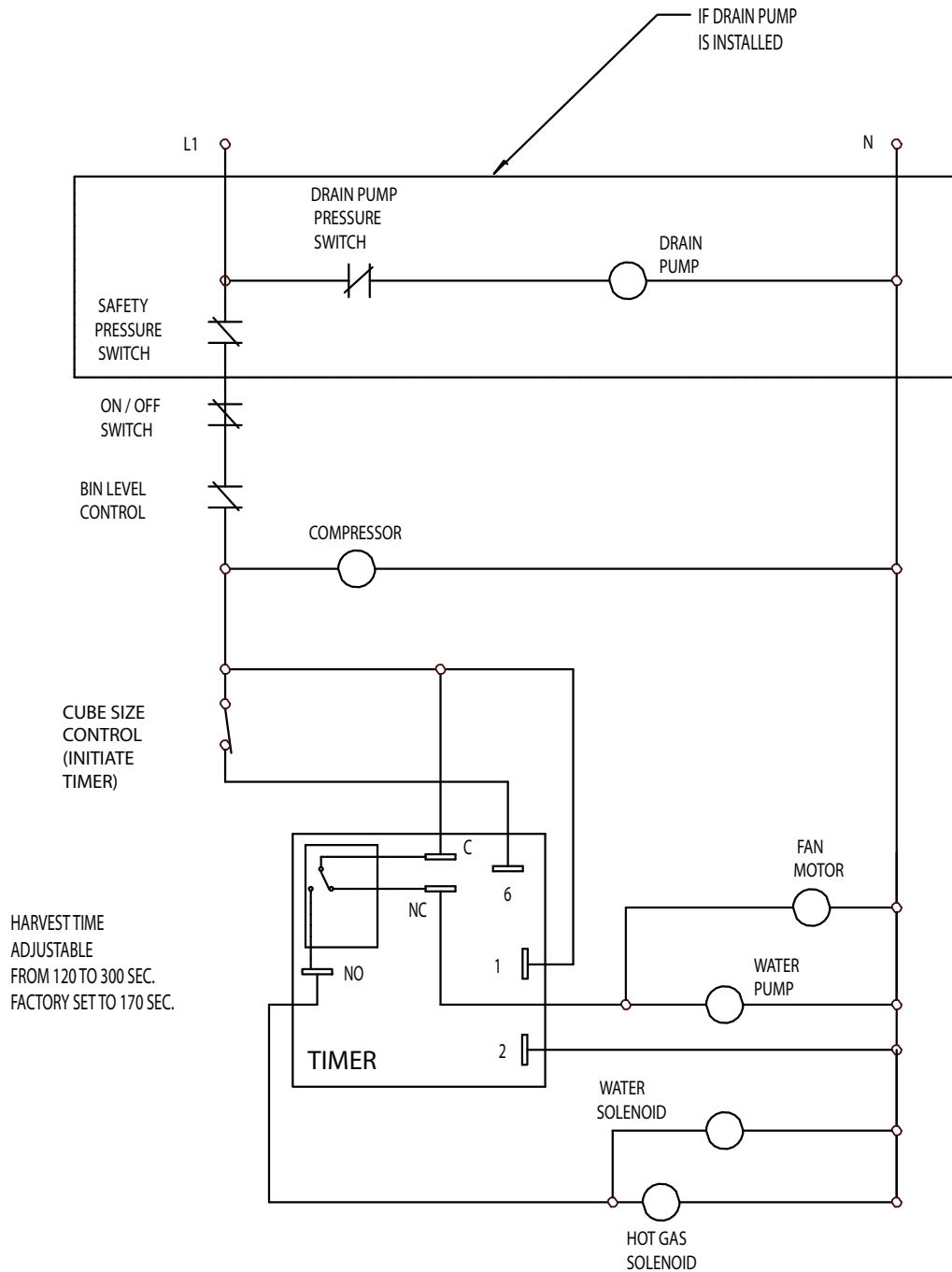
Item Number	Part Number	Description
1	02-4436-01	Graphic overlay
2	12-2991-01	Power switch
3	02-4386-01	Cover
4	12-2985-01	Timer
5	11-0584-21	Cube size thermostat
6	11-0578-21	Bin thermostat

Not Shown:

NS1	12-3005-02	Hi voltage harness, lower
NS2	12-3005-01	Hi voltage harness, upper

SCCG30 & SCCP30 Service Parts

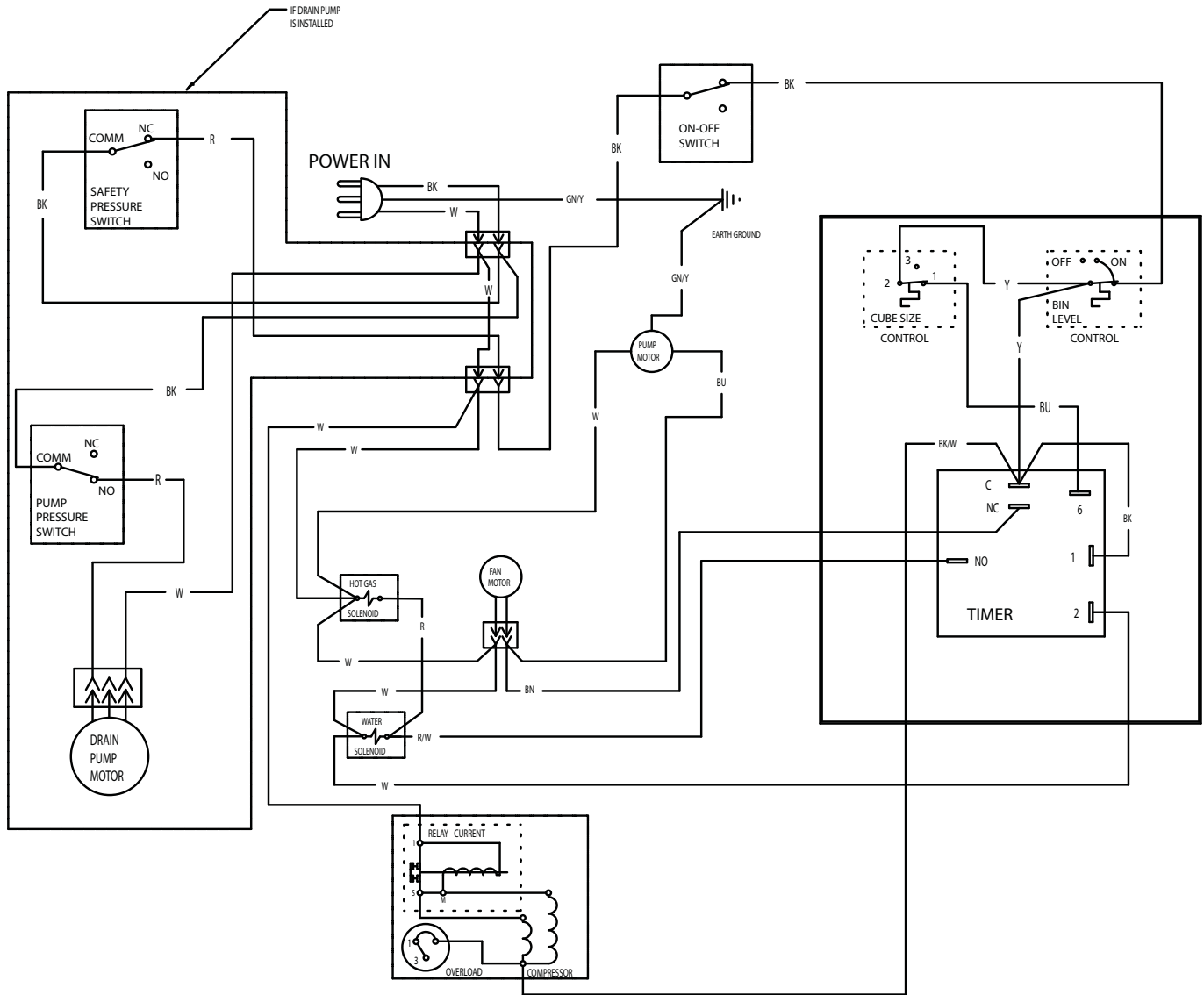
Schematic Diagram



SWITCHES ON THIS UNIT
SHOWN IN TIMED PORTION
OF THE FREEZE CYCLE
WITH DRAIN PUMP IN OPERATION

SCCG30 & SSCP30 Service Parts

Wiring Diagram



SCOTSMAN ICE SYSTEMS

775 Corporate Woods Parkway, Vernon Hills, IL 60061

800-533-6006

www.scotsman-ice.com

17-3264-02