

CU50 Service Parts

This is the illustrated parts list for the CU50 Cube Ice Machines

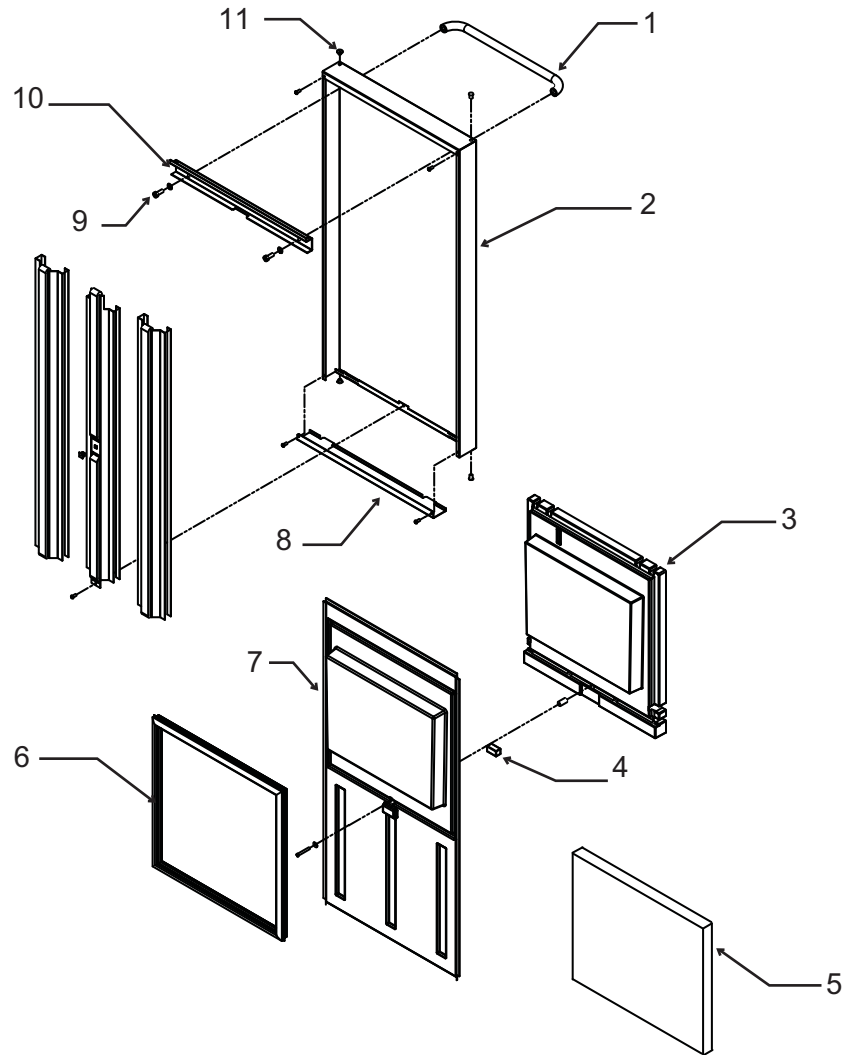
When ordering a service part, always refer to the complete model number of the equipment being repaired to be sure of obtaining the correct part. Many times there are slight differences between models, and having the complete model number will aide in selecting the correct part.

Table of Contents

Door Components	Page 2
Cabinet	Page 3
Reservoir and Spray Pump	Page 4
Refrigeration	Page 5
Under Bin Parts	Page 6
Control System	Page 7
Schematic Diagram	Page 8
Wiring Diagram	Page 9

CU50 Service Parts

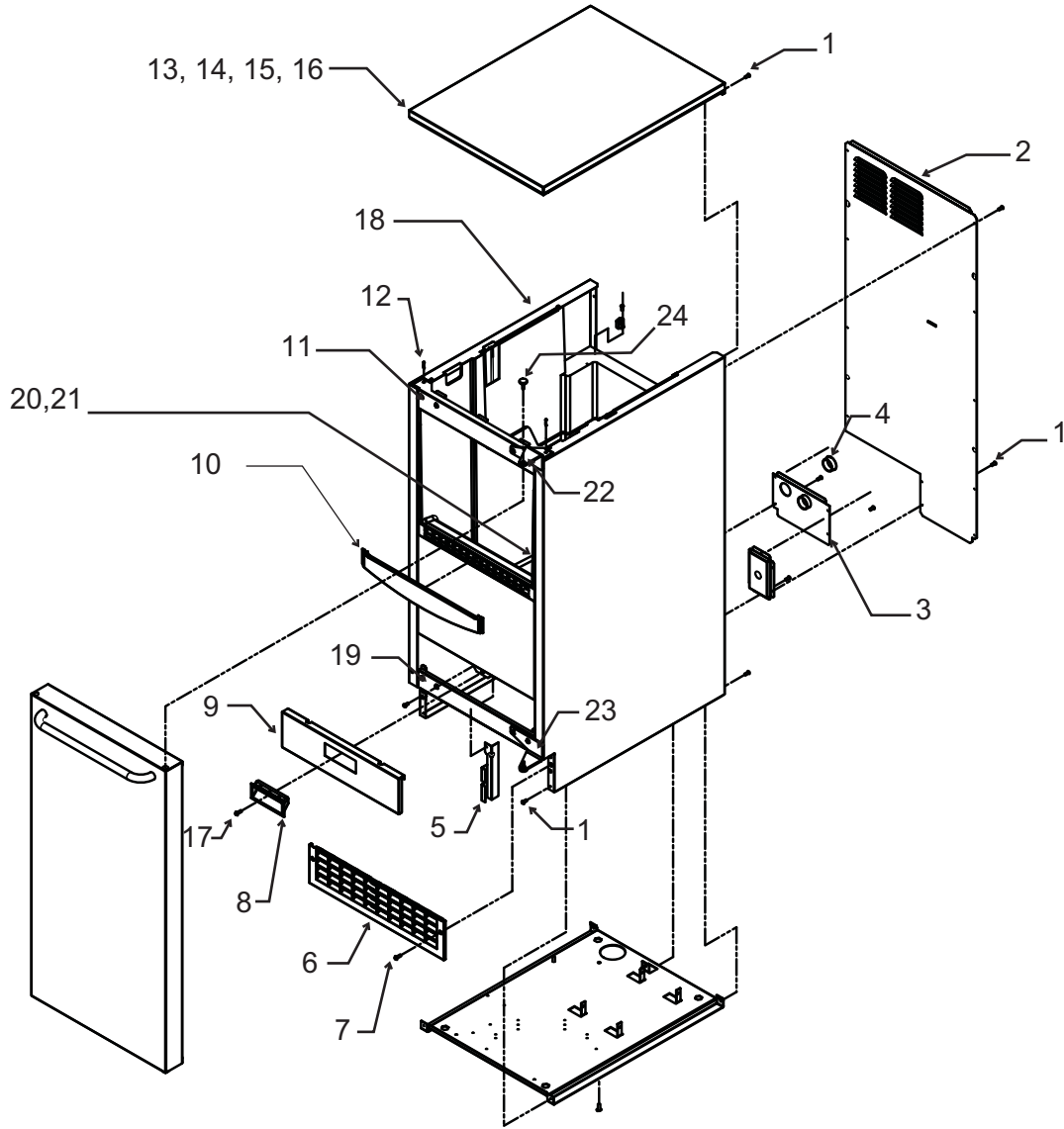
Door Components



Item Number	Part Number	Description
1	02-3847-01	Handle, door
2	A39678-001	Door panel
3	02-4445-01	Insulation, upper
4	11-0587-01	Magnet, door
5	02-4570-01	Insulation, lower
6	13-0949-03	Door gasket
7	02-4569-01	Liner, door
8	A39676-001	Door bottom
9	03-3814-02	Screw, handle
10	A39675-001	Bracket, door handle
11	03-3727-01	Bushing, door hinge, same on bottom

CU50 Service Parts

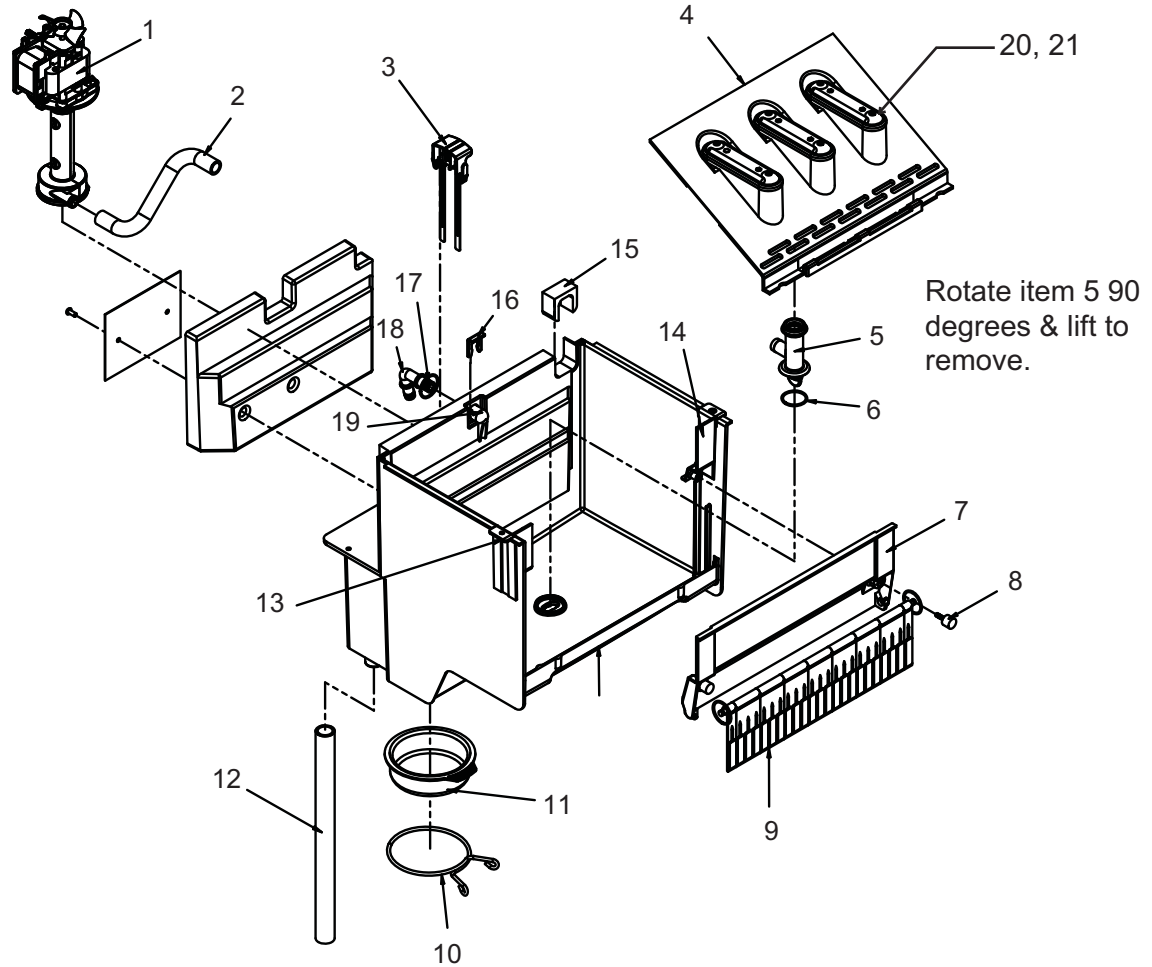
Cabinet



Item Number	Part Number	Description	Item Number	Part Number	Description
1	03-1531-01	Screw	12	03-3836-03	Screw
2	A39363-001	Back panel	13	02-4438-01	Gasket - for edges
3	A39389-001	Utility routing bracket	14	02-4438-02	Gasket strip - across
4	12-1213-11	Snap bushing	15	02-4426-01	Insulation pad
5	A39392-001	Srv panel mntg bracket	16	A39362-003	Top panel, SS
6	02-4390-01	Kickplate	17	03-1403-86	Screw
7	03-1403-86	Screw	18	A39378-004	SS cabinet & bin
8	02-4441-01	Panel handle	19	A39700-001	Bottom hinge panel, SS
9	A39381-003	Service panel, SS	20	A39379-001	Bin stat bracket/scoop hldr
10	02-4392-01	Bin edging	21	02-4391-03	Scoop
11	A39699-001	Top hinge panel, SS	22	02-4568-02	Hinge
			23	02-4568-01	Hinge
			24	03-3834-01	Pin, hinge

CU50 Service Parts

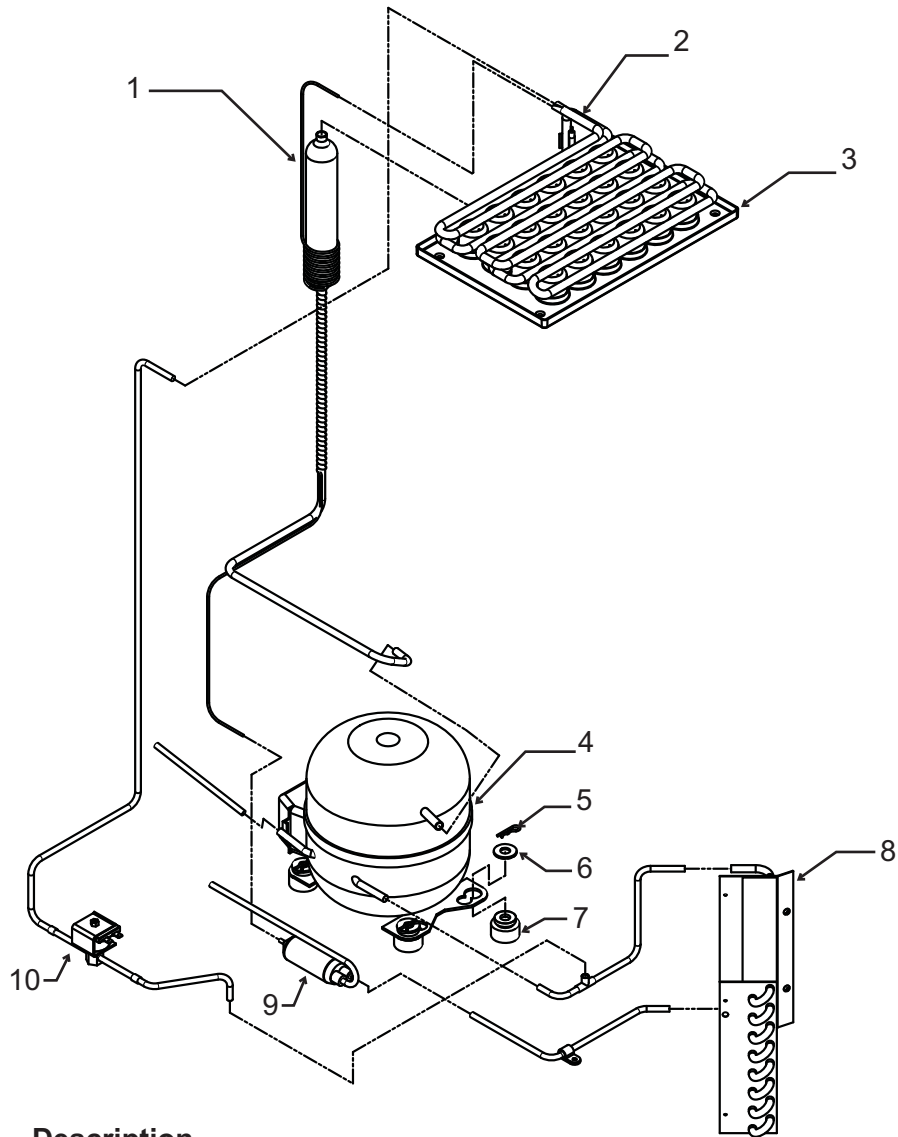
Reservoir and Spray Pump



Item Number	Part Number	Description
1	12-2986-21	Water pump
2	02-4379-01	Pump discharge hose
3	A39030-023	Water probe
4	02-4371-02	Spray platform
5	02-4368-01	Water Tee
6	13-0617-11	O-ring
7	02-4365-01	Front bracket
8	03-3892-01	Thumb screw
9	A39357-001	Curtain
10	02-4383-01	Clamp
11	02-4369-01	Drain cap
12	02-4428-01	Drain tube
13	02-4375-01	Evap bracket, left
14	02-4375-02	Evap bracket, right
15	02-4475-01	Grommet
16	02-4381-03	Clip
17	13-0617-04	O-ring
18	02-4381-01	Barbed fitting
19	02-4381-02	Spout
20	02-4373-01	O-ring
21	02-4370-21	Spray nozzle, kit. Set of 3 nozzles, o-rings, screws and nuts.

CU50 Service Parts

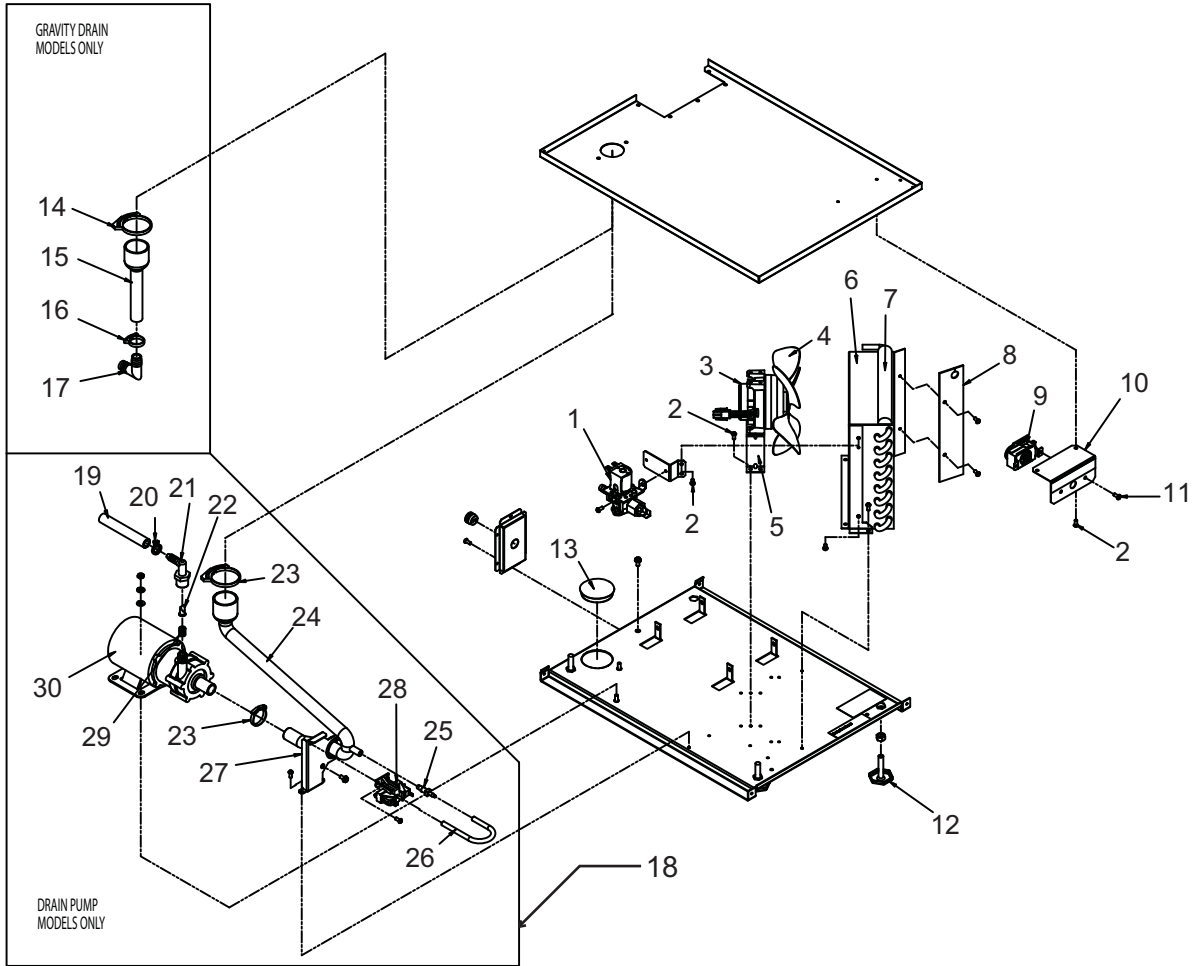
Refrigeration



Item Number	Part Number	Description
1	A39384-001	Suction line accumulator assy
2	11-0577-01	Thermistor
3	02-4376-01	Evaporator
4	18-8939-21	Compressor
Compressor includes overload, relay and drier		
4a	18-8939-51	Overload
4b	18-8939-52	Relay
5	03-3821-01	Clip
6	03-1407-08	Washer
7	18-4700-28	Grommet
8	18-8940-01	Condenser
9	02-4416-01	Drier
10	11-0562-21	Hot gas valve
10a	11-0562-22	HGV coil

CU50 Service Parts

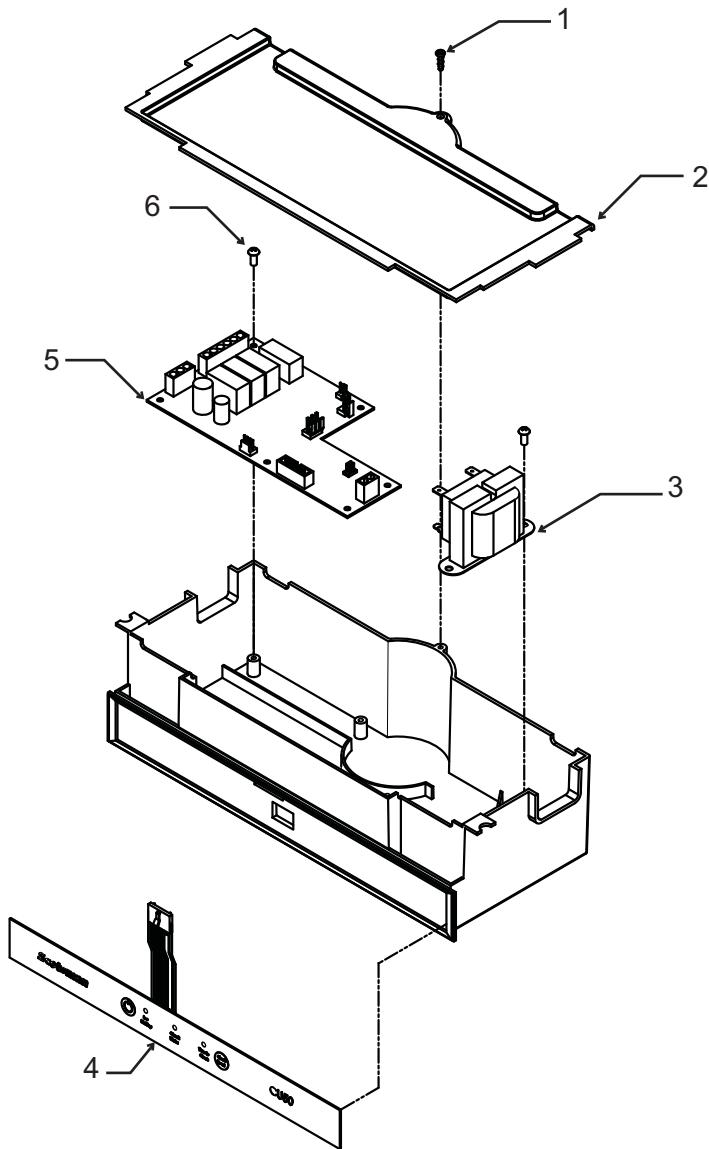
Under Bin Parts



Item Number	Part Number	Description
1	12-2990-01	Inlet water sol valve
2	03-1531-01	Screw
3	12-3024-01	Fan motor
4	02-4197-01	Fan blade
5	A39556-001	Fan motor bracket
6	A39460-001	Fan shroud
7	13-0909-01	Gasket, order 1 & cut to fit
8	02-4450-01	Air baffle
9	11-0578-21	Thermostat
10	A39379-001	Thermostat bracket
11	03-1403-16	Screw
12	03-1608-01	Leg leveler
12a	02-4415-01	Leg cap
13	02-1875-18	Hole plug
14	02-2814-13	Hose clamp
15	02-4412-01	Drain hose
16	02-2814-08	Hose clamp
17	16-0671-01	Elbow
18	A39462-021	Pump kit
19	A37334-001	Discharge hose
20	02-0534-02	Hose clamp
21	02-3522-01	Elbow
22	02-3374-01	Check valve
23	02-2814-13	Hose clamp
24	02-4413-01	Drain tube
25	02-3406-01	Barbed connector
26	05-0591-01	Switch hose
27	A39370-001	Switch bracket
28	11-0504-01	Pressure switch
29	03-3904-01	Spring
30	12-2503-21	Pump & motor only

CU50 Service Parts

Control System



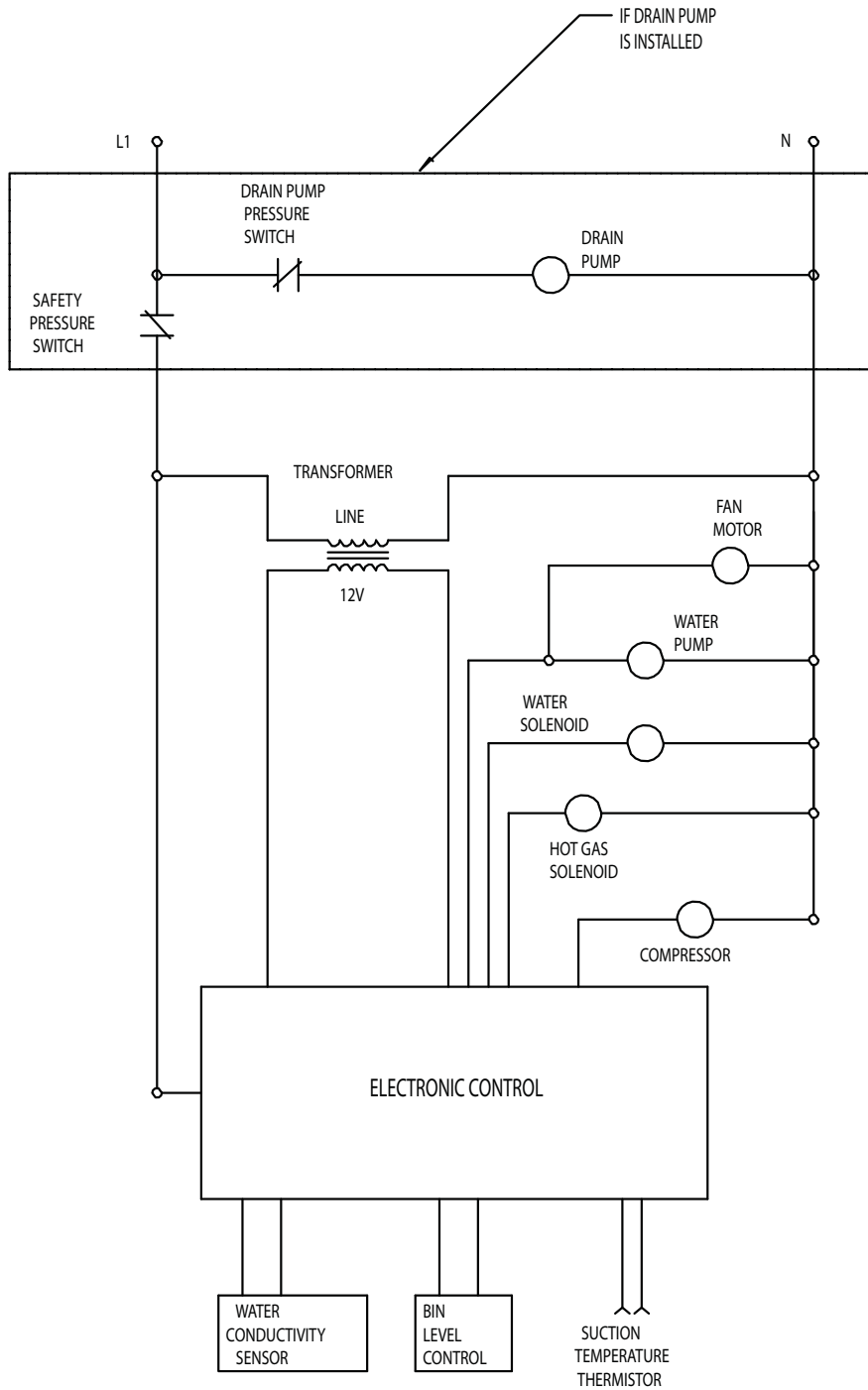
Item Number	Part Number	Description
1	03-3836-03	Screw
2	02-4386-01	Cover
3	12-2924-01	Transformer
4	11-0588-01	Switch panel
5	11-0573-25	Controller
6	03-1531-01	Screw

Not Shown:

NS1	12-3003-01	Bin stat harness
NS2	12-3000-02	Hi voltage harness, lower
NS3	12-3000-01	Hi voltage harness, upper
NS4	12-2992-01	Water sensor harness

CU50 Service Parts

Schematic Diagram



SWITCHES ON THIS UNIT
SHOWN IN FREEZE CYCLE
WITH DRAIN PUMP IN OPERATION
AND BIN DOOR CLOSED

CU50 Service Parts

Wiring Diagram

