

ID150, ID200 and ID250 Service Parts

This is the parts list for ice dispensers, models ID150, ID200 and ID250.

Check voltage of unit parts are being ordered for to be sure of obtaining the correct part.

Table of Contents

Cabinet & Dispenser Parts, ID150	Page 2
Cabinet & Dispenser Part Numbers, ID150	Page 3
Cabinet & Dispenser Parts, ID200 and ID250	Page 4
Cabinet & Dispenser Part Numbers, ID200 and ID250	Page 5
Rotary Solenoid	Page 6
Electrical Box, ID150	Page 7
Electrical Box, ID200 and ID250	Page 8
Schematic Diagram	Page 9

ID150, ID200 and ID250 Service Parts

Cabinet & Dispenser Part Numbers, ID150

Item No.	Part No.	Description			
			35	R52967	Plug
			36	R52972	Clip, White
1	R21491	Gate Slide	37	R70016	Hex Nut, No. 10-32
2	R22081R	Gate Restrictor	38	R70017	Hex Nut, No. 10-32, Nyloc
3	R29303R	Plate, Motor Mounting	39	R70018	Hex Nut, 1/4-20
4	R15346	Agitator Assy	40	R70048	Washer, .255 I.D.
5	R29483	Cover, Rear Wrapper	41	R70056	Washer, No. 10, .219 I.D.
6	R629080206	Lower Panel (F/Drip Tray)	42	R70067	Washer, .218 I.D.
7	R15199	Extension Assy, Drip Tray	43	R70076	Hex Nut, No. 8-32
8	R29313	Wrapper (ED 150)	44	R70104	Insert, Threaded, No. 8-32
9	R27107	Retainer, Lever, Ice Dispense	45	R70171	Machine Screw, Phil
10	R10145	Pin, Drip Tray Mounting	46	R70178	Machine Screw, Phil
11	R31007	Boot, Switch	47	R70204	Sheet Metal Screw, Phil
12	R50767	Snap Bushing	48	R15500	Lever, Cup Dispense
13	R15087	Retainer, Agitator	49	R70260	Machine Screw, Phil Rd Hd,
14	R30794	Agitator Motor Heater, 120 V	50	R70341	Spring, Motor Heater
	R32826	Agitator Motor Heater, 230 V	51	R620701601	Thread Forming Screw, Phil
15	R30895	Dispense switch	52	R70478R	Clip, Push On
16	R620307901	Agitator Motor, 120 Volt	53	R70555	Machine Screw, Phil
	R620307902	Agitator Motor, 220-240 Volt	54	R70750	Hose Clamp, Worm
17	R32954	Solenoid Assembly, 120 Volt	*55	R71006	Machine Screw, Phil
	R33409	Solenoid Assembly, 230 Volt	56	R53299	Clip, Black
18	R620303301	Electrical Box Ass'y, 120 V	*57	R70970	Leg, single
	R620303302	Electrical Box Ass'y, 230 V	58	R70992	Receptacle, 1/4 Turn
19	R29304	Bracket, Motor Mounting	59	R70993	Retainer, 1/4 Turn
20	R71010	Washer, Captivating No. 8	60	R70994	Stud Wing Head, 1/4 Turn
21	R620019701	Hinge, Gusset	61	R70847	Spacer, Switch
22	R51859	Seal, Agitator Motor Shaft	62	R71036	Cup Rest
23	R51891	Gasket, Gate	63	R71089	Shoulder Screw, No. 8-32
*24	R51908	Plug (120 Volt Models Only)	*64	R51288	Adapter, 1" Barb x 3/4 MPT
25	R52876	Gasket, Motor Shaft	*65	R50952	Adapter, 3/4 Soc x 3/4 FPT
26	R620500901	Ice Chute	66	R32622	Bulb, 18" daylight
27	R53168	Cover, Ice Chute	* Not shown		
28	R53227	Agitator Disk			
29	R52999	Merchandiser, Gray (150)			
	R15756	Merchandiser, S.S. (150)			
30	R52877	Panel, Plexiglass, Inner (150)			
31	R629087531	Drip Tray, Gray. Includes items 7 and 10			
32	R53019	Lid, Dispenser, Gray			
33	R52926	Hopper Assy., Foamed			
34	R15437	Baffle			

ID150, ID200 and ID250 Service Parts

Cabinet & Dispenser Parts, ID200 and ID250

Adapter Parts:

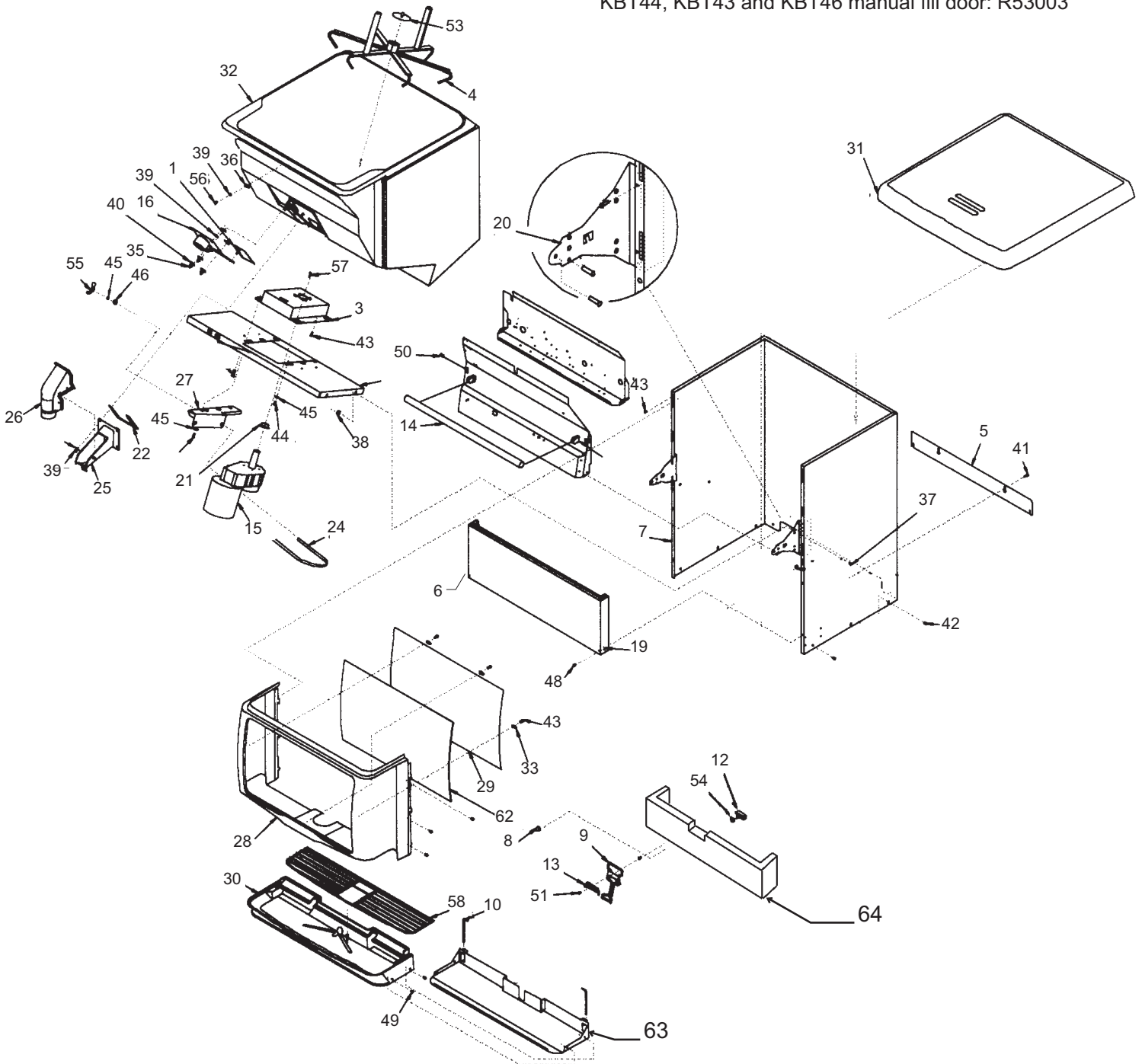
R620042921 - baffle used on KBT40, no hardware needed

R620042913 - baffle used on KBT41, no hardware needed

*R620042927 - baffle used on KBT43, 44, and 46.

*Use 2 each of hardware R620701903, R620701901, and R620701902 to attach the baffle.

KBT44, KBT43 and KBT46 manual fill door: R53003



ID150, ID200 and ID250 Service Parts

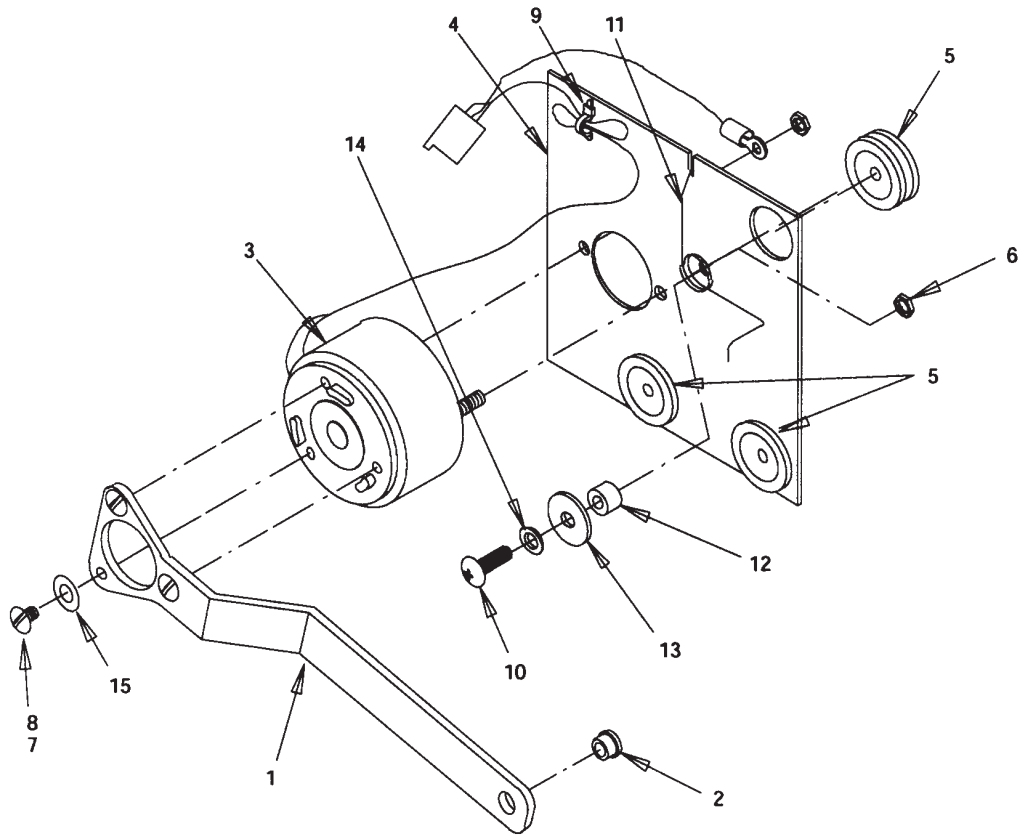
Cabinet & Dispenser Part Numbers, ID200 and ID250

Item No.	Part No.	Description	Item No.	Part No.	Description
			30	R629087535	Drip Tray, Gray, Insulated, includes items 10 and 63
1	R21491	Slide, Gate	31	R53018	Lid, Dispenser, Gray
*2	R22081R	Restrictor, Gate	32	R53292	Hopper Ass'y, Insul (ID250)
3	R29541R	Plate, Motor Mount		R53290	Hopper Ass'y, Insul (ID200)
4	R29694	Agitator	33	R52972	Tab, Retaining
5	R29555	Cover, Rear Wrapper	34	R70016	Hex Nut, No. 10-32
6	R629080208	Panel, Lower Front	35	R70017	Hex Nut, No. 10-32, Nyloc
7	R629088543	Cabinet - ID200	36	R53299	Tab, Retaining
	R629088544	Cabinet - ID250	37	R70242	Screw, No. 10-32 By 3/8-In.
8	R31007	Boot, Switch	38	R70015	Hex Nut, No. 10-32, Keps
9	R15500	Dispense Lever, Short	39	R70056	Washer, No. 10
10	R10145	Pin, Drip Tray	40	R70067	Washer,
*11	R30794	Agitator Motor Heater 115 V	41	R70171	Screw, No. 8-32 By 3/8-In.
12	R30895	Dispense Switch	42	R70178	Screw, No. 8-32 By 1/2-In.
13	R27107	Retainer, Ice Dispense lever	43	R70204	Screw, No. 8 By 1/2-In. Long
14	R31928	Bulb, Fluorescent	44	R71033	Screw, 3/8-16 By 3/4-In. Long
15	R629088531	Agitator Motor 120 Volt	45	R70068	Washer
	R33404	Agitator Motor 220-240 Volt	46	R71061	Washer,
16	R32954	Solenoid Ass'y 120 Volt	47	R70341	Spring, Motor Heater
	R33409	Solenoid Ass'y 220-240 Volt	48	R71006	Screw, No. 8-32 By 1 1/8-In.
17	R620302501	Elec Box Ass'y, 120V ID 200	49	R70478R	Clip, Push-on
	R620302502	Elec Box Ass'y, 120V ID 250	50	R620022801	Brace, Reflector
	R620310201	Elec Box Ass'y, 230V ID 200	51	R620701601	Sheet Mtl Screw, #10 x 1/2.
	R620310202	Elect Box Ass'y, 230V ID 250	*52	R70970	Leg
18	R29542	Bracket, Motor Mount	53	R15087	Retainer, Agitator
19	R71010	Washer, Captivating No. 8	54	R70847	Spacer, Switch
20	R620019701	Hinge Gusset	55	R71059	Wing Nut, 3/8-16
21	R53199	Seal, Motor	56	R71089	Shoulder Screw, No. 8-32
22	R1891	Gasket, Gate	57	R71028	Shoulder Screw, 1/4-20
*23	R51908	Plug	58	R71039	Cup Rest
24	R71025	Strap, Motor	*59	R51288	Adapter, 1-In. Barb By 3/4 MPT (For Drip Tray Drain)
25	R620500901	Ice Chute	*60	R50952	Adapter, 3/4 Soc By 3/4 FPT (For Drip Tray Drain)
26	R53168	Ice Chute Cover	*61	R70750	Hose Clamp (For Drip Tray Drain)
27	R15132	Motor Mount	62	see Sales	Graphic, ID200
28	R53001	Merchandiser, Gray (ID250)		see Sales	Graphic, ID250
	R53000	Merchandiser, Gray, (ID200)	63	R620028702	Drip tray extension
	R15754	Merchandiser, S.S., (ID250)	64	R15587	Panel, upper front
	R15755	Merchandiser, S.S., (ID200)			
29	R52950	Panel, Inner (250)			
	R52949	Panel, inner (200)			

* Not shown

ID150, ID200 and ID250 Service Parts

Rotary Solenoid

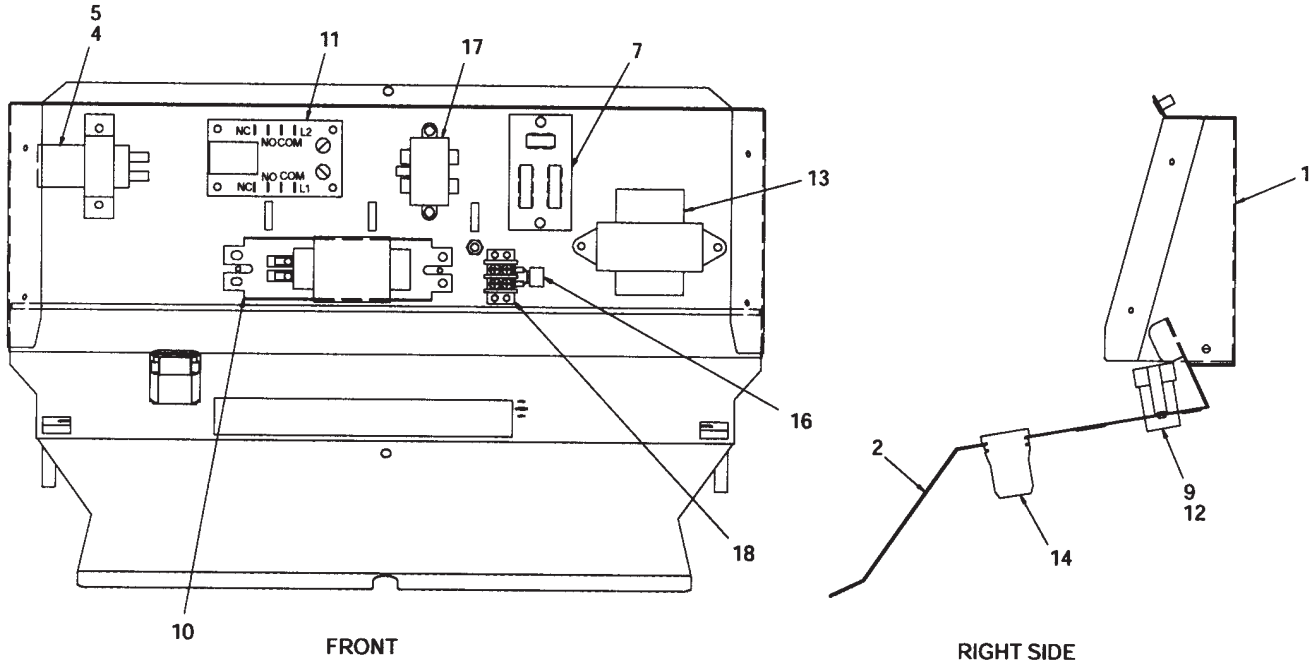


Item

No	Part number	Description
1	R28173	Arm, Gate Lift
2	R50754	Bearing, Gate Arm
3	R32957	Solenoid, 120 Volts
	R33397	Solenoid, 220-240 Volts
4	R28172	Plate, Solenoid Mounting
5	R50752	Isolator
6	R70015	Hex Nut, No. 10-32
7	no number	Locktite
8	R70162	Screw, No. 8-32 By 1/4-In. Long
9	R50705	Tie Cable
10	R70165	Screw, No. 8-32 By 5/8-In. Long
11	R71007	Spring, Solenoid Arm
12	R51348	Spacer
13	R70067	Washer, .218 I.D. By .875 O.D.
14	R70057	Lockwasher, No. 10
15	R70052	Flatwasher, No. 8

ID150, ID200 and ID250 Service Parts

Electrical Box, ID150



Item

No Part number Description

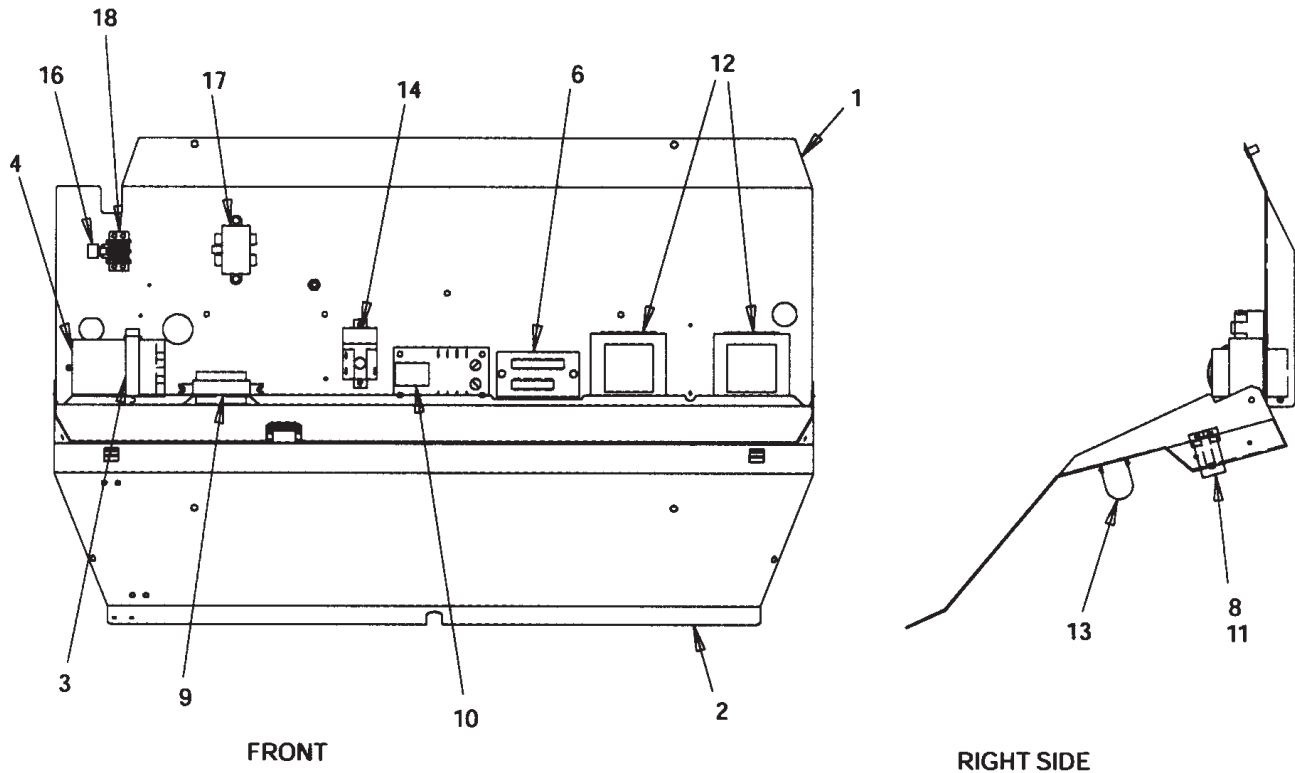
1	R620019001	Electrical Box (ID 150)
2	R620019101	Reflector, Panel (ID 150)
3	Not Used	
4	R30514	Clamp, Capacitor, 120 Volts
	R20308102	Clamp, Capacitor, 220-240 Volts
5	R30774	Capacitor, 120 Volt
	R620308101	Capacitor, 220-240 Volt
6	Not Used	
7	R31107	Terminal Board
8	Not Used	
9	R31620	Starter
10	R31621	Ballast, 120 Volt
	R33662	Ballast, 220-240 Volt
11	R620314803	Timer, Agitation, 120 Volt
	R620314802	Timer, Agitation, 220-240 Volt
12	R620302201	Socket, Starter
13	R32682	Transformer, 120 Volts
	R32829R	Transformer, 220-240 Volts
14	R620302101	Lampholder

Not Shown:

R33162	Relay, Start, 120 Volts
R620306601	Relay, Start, 230 Volts
R620304601	Varistor, 230 Volts
R620307301	Filter, 230 Volts

ID150, ID200 and ID250 Service Parts

Electrical Box, ID200 and ID250



Item No	Part number	Description
1	R620022001	Electrical Box (ID250)
	R620020902	Electrical Box (ID200)
2	R620022101	Reflector Panel (ID250)
	R620020901	Reflector Panel (ID200)
3	R620021101	Clamp, Capacitor
4	R33160R	Capacitor, Agitator Motor
5	R30995	Power Cord, 120 Volts
	R620302901	Power Cord, 230 Volts
6	R30960	Terminal Board, 120 Volts
	R31107	Terminal Board, 230 Volts
7		Not Used
8	R31620	Starter
9	R31621	Ballast, 120 Volts
	R33662	Ballast, 230 Volts
10	R620314803	Agitation Timer, 120 Volts
	R620314802	Agitation Timer, 230 Volts
11	R620302201	Socket, Starter
12	R32682	Transformer, 120 Volts
	R32829R	Transformer, 230 Volts
13	R620302101	Lampholder
14	R33162	Relay, Start, 120 Volts
	R620306601	Relay, Start, 230 Volts
15		Not Used
16	R620304601	Varistor, 230 Volts
17	R620307301	Filter, 230 Volts
18	R32244	Terminal Strip, 230 Volts

ID150, ID200 and ID250 Service Parts

Schematic Diagram

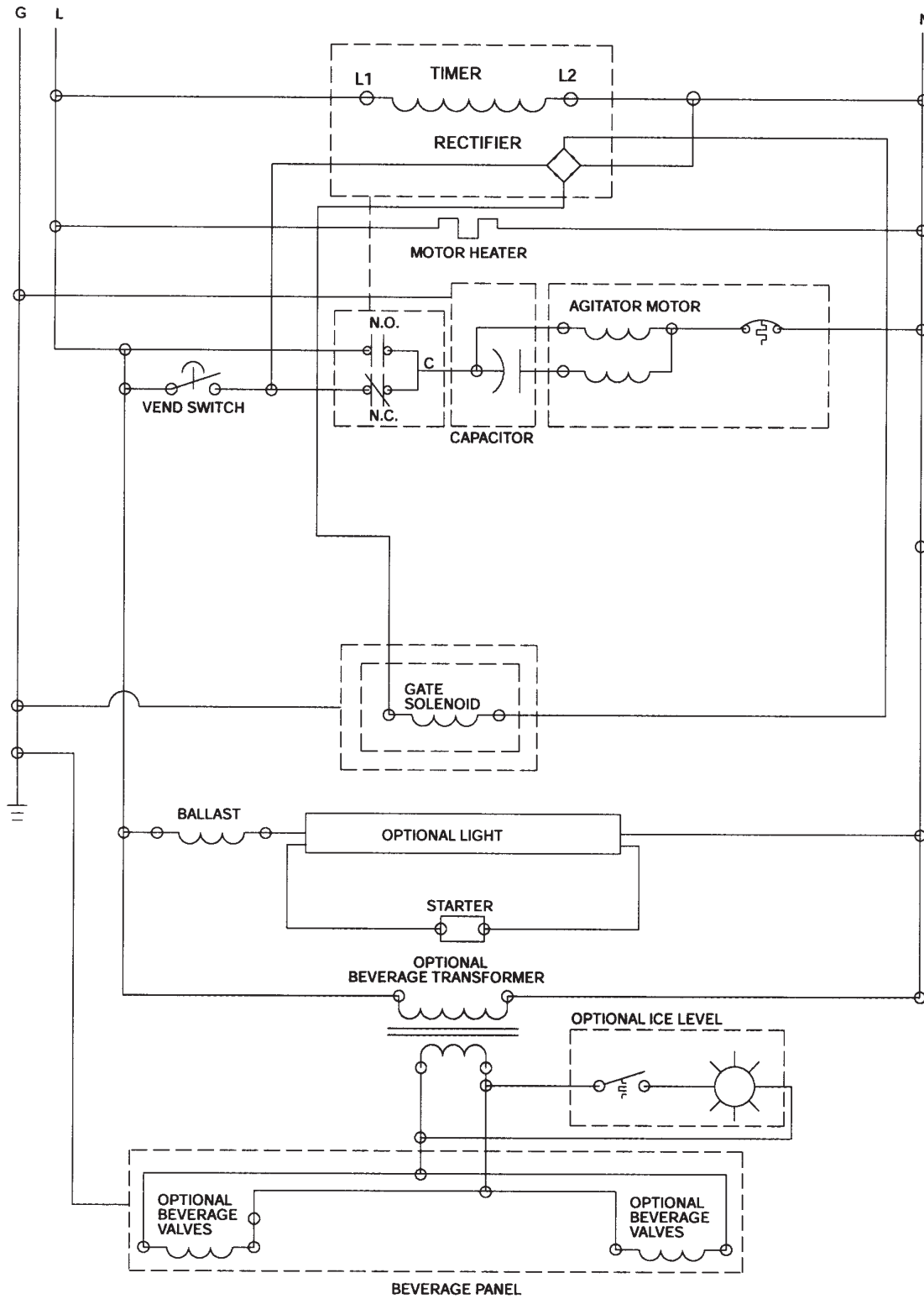


FIGURE 8. WIRING SCHEMATIC (120 V UNIT)