

# C0830 – 800 lb Cube Ice Machine

Prodigy Modular Cube Ice Maker

**PRELIMINARY DRAFT**



Shown on B530S bin.

## Features

Prodigy cubers use **significantly less energy and water** than other cube ice machines, exceeding pending California and Federal energy efficiency regulations.

**Auto-Alert™ indicator lights** constantly communicate about operating status and actually signal your staff when it's time to descale, sanitize, and more—making upkeep practically foolproof.

The patented **WaterSense™ adaptive purge control** delivers maximum reliability by reducing scale buildup for a longer time between cleanings.

**Preventative maintenance is simpler** than ever with easily-removed panels allowing clear access to internal components and a diagnostic code display insuring the right fix the first time. Reusable air filter is easily removable from the outside.

All external panel components are crafted for **optimal aesthetic appeal** through superior fit and finish.

An optional **advanced feature SmartBoard™** provides NAFEM data protocol and additional operational data that can be displayed on-screen or transmitted remotely, resulting in early alert and fast diagnosis of operating issues.

An optional **Vari-Smart™ ultrasonic ice level control** sensor allows you flexibility to program ice levels, for up to 7 days, keeping just the right amount of freshly made ice in the bin.

## 24 Hour Volume Production

Air-Cooled			Water-Cooled			Remote		
70°F/21°C 50°F/10°C lb/kg	Air Water	ARI 90°F/32°C 70°F/21°C lb/kg	70°F/21°C 50°F/10°C lb/kg	Air Water	ARI 90°F/32°C 70°F/21°C lb/kg	70°F/21°C 50°F/10°C lb/kg	Air Water	ARI 90°F/32°C 70°F/21°C lb/kg
935/424		724/328	873/396		832/377	870/395		822/373



## Modular Bin Options

Model Number	Dimensions W" x D" x H"	ARI Certified Bin Capacity lb/kg	Application Capacity lb/kg	Finish	Ship Weight lb/kg
B530P	30 x 34 x 44	420/191	536/244	Poly	150/68
B530S	30 x 34 x 44	420/191	536/244	SS	150/68
BH550S-C	30 x 32 x 44	410/186	520/236	SS	140/64
HTB555	30 x 35 x 45	420/190	535/243	Poly	110/50
B842S	42 x 34 x 44	610/277	778/353	SS	185/84
BH801S-A	42 x 32 x 44	580/263	740/336	SS	165/75



Bin: B530P



Bin: BH801S-A

## Cube Sizes



Small Cube  
7/8" x 7/8" x 3/8"  
(2.22 x 2.22 x .95 cm)

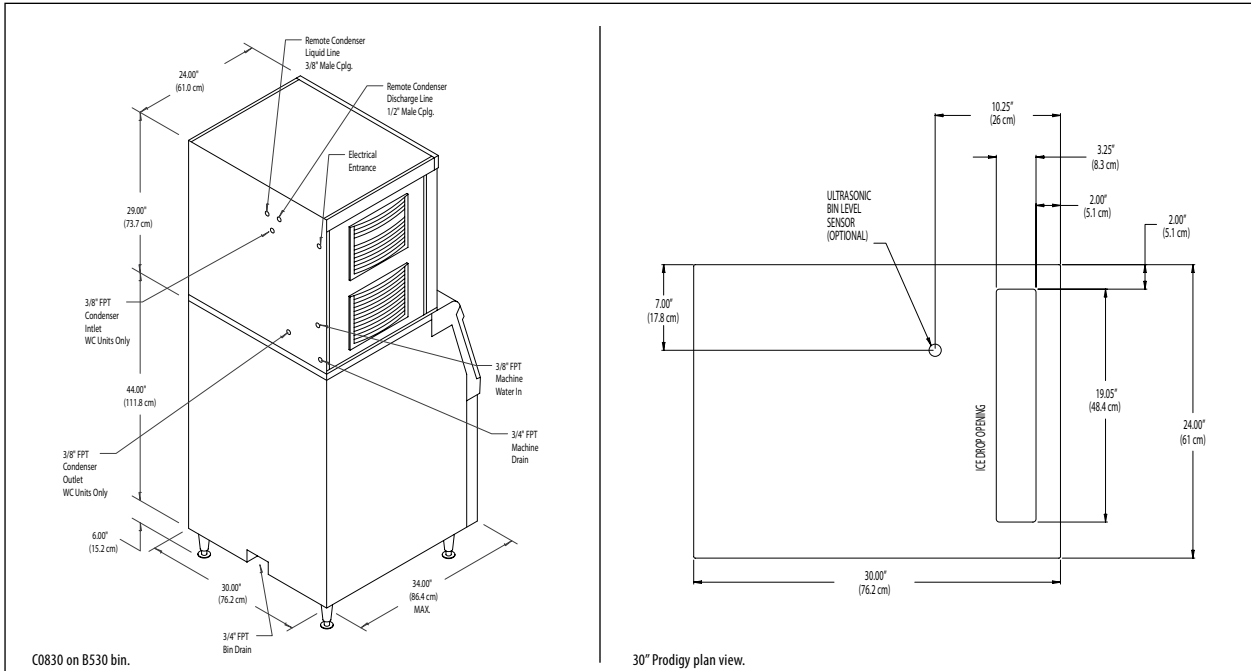


Medium Cube  
7/8" x 7/8" x 7/8"  
(2.22 x 2.22 x 2.22 cm)

## Warranty

- 3 years parts and labor on all components.
- 5 years parts and labor on the evaporator.
- 5 years parts on the compressor and condenser.

Warranty valid in North, South & Central America.  
Contact factory for warranty in other regions.



C0830 on B530 bin.

30" Prodigy plan view.

## Specifications

Model Number* Cube Size: medium or small	Condenser Unit	Basic Electrical Volts/Hz/Phase	Max. Fuse Size or HACR Circuit Breaker (amps)	Circuit Wires	Min. Circuit Ampacity	Power Consumption kWh/100 lb (45.4 kg) 90°F(32°C)/70°F(21°C)	Water Usage Gallons/100 lb (45.4 kg)	
							Potable 90°F(32°C)/ 70°F(21°C)	Condenser 90°F(32°C)/ 70°F(21°C)
C0830MA-32A	Air	208-230/60/1	15	2	10.2	4.9	19.2	-
C0830MR-32A	Remote	208-230/60/1	15	2	9.0	4.7	18.4	-
C0830MW-32A	Water	208-230/60/1	15	2	10.0	4.0	18.9	136.0
C0830SA-32A	Air	208-230/60/1	15	2	10.2	4.9	19.2	-
C0830SR-32A	Remote	208-230/60/1	15	2	9.0	4.7	18.4	-
C0830SW-32A	Water	208-230/60/1	15	2	10.0	4.0	18.9	136.0

\* 208-230/60/3 Voltage - Substitute "-3" in place of "-32", i.e. C0830SA-3A.

## All Models

Dimensions (W x D x H):

Unit: 30" x 24" x 29"

(76.2 x 70.0 x 73.7 cm)

Shipping Carton: 33.5" x 27.5" x 34"

(85.1 x 69.9 x 86.4 cm)

Shipping Weight - 220 lb / 100 kg

BTU's per hour - 6,500

## Accessories

Model Number	Description
KVS	Vari-Smart™ Ice Level Control - Program ice bin levels to match ice needs.
KSB	Smart-Board™ - Use additional operational data for fast diagnosis.
ERC311-32A	Remote Condenser for C0830xR, 208-230/60/1 - Consult Remote Condenser Spec Sheet for details.
RTE10	Line set, Precharged, R-404A, 10 ft.
RTE25	Line set, Precharged, R-404A, 25 ft.
RTE40	Line set, Precharged, R-404A, 40 ft.
RTE75	Line set, Precharged, R-404A, 75 ft.

\* Scotsman recommends all ice machines have water filtration. See Scotsman Sanitation Matrix for details.

## Operating Requirements

	Minimum	Maximum
<b>Air Temperatures</b>	50°F (10°C)	100°F (38°C)
<b>Water Temperatures</b>	40°F (4.4°C)	100°F (38°C)
<b>Remote Cond. Temps</b>	-20°F (-29°C)	120°F (49°C)
<b>Water Pressures</b>	20 PSIG (1.4 bar)	120 PSIG (8.3 bar)
<b>Electrical Voltage</b>	-5%	+10%